



US00D795527S

(12) **United States Design Patent**
Lomax

(10) **Patent No.:** **US D795,527 S**
(45) **Date of Patent:** **** Aug. 29, 2017**

(54) **PLEAT STRUCTURE**

(71) Applicant: **NIKE, Inc.**, Beaverton, OR (US)

(72) Inventor: **Jessica Lomax**, Beaverton, OR (US)

(73) Assignee: **NIKE, Inc.**, Beaverton, OR (US)

(**) Term: **15 Years**

(21) Appl. No.: **29/564,860**

(22) Filed: **May 16, 2016**

(51) **LOC (10) Cl.** **02-07**

(52) **U.S. Cl.**

USPC **D2/637; D2/728**

(58) **Field of Classification Search**

USPC D2/637, 728, 739, 756, 759, 791, 797,
D2/803, 840, 845-846, 850, 853, 716,
D2/771, 786

(Continued)

(56) **References Cited**

U.S. PATENT DOCUMENTS

D125,220 S * 2/1941 Stix D2/786

D151,084 S * 9/1948 Strassner D2/756

(Continued)

Primary Examiner — Holly Baynham

Assistant Examiner — James Thorn, Sr.

(74) *Attorney, Agent, or Firm* — Shook, Hardy & Bacon
L.L.P.

(57) **CLAIM**

The ornamental design for a pleat structure, as shown and described.

DESCRIPTION

FIG. 1 is a back, lower, right perspective view of a pleat structure, showing the present design within a first environment in a closed configuration;

FIG. 2 is a back, lower right perspective view of the design of FIG. 1, shown in an open configuration;

FIG. 3 is a back view of FIG. 1;

FIG. 4 is a bottom-up view thereof;

FIG. 5 is a top-down view thereof;

FIG. 6 is a right-side view thereof;

FIG. 7 is a left-side view thereof;

FIG. 8 is front view thereof;

FIG. 9 is a lower, right perspective view of the design of FIG. 1; shown in a second environment;

FIG. 10 is a lower, right perspective view of the design of FIG. 2, shown in a second environment;

FIG. 11 is a back view of FIG. 9;

FIG. 12 is a bottom-up view thereof;

FIG. 13 is a top-down view thereof;

FIG. 14 is a right-side view thereof;

FIG. 15 is a left-side view thereof;

FIG. 16 is a front view thereof;

FIG. 17 is a lower, right perspective view of the design of FIG. 1, shown in a third environment;

FIG. 18 is a lower, right perspective view of the design of FIG. 2, shown in a third environment;

FIG. 19 is a back view of FIG. 17;

FIG. 20 is a bottom-up view thereof;

FIG. 21 is a top-down view thereof;

FIG. 22 is a right-side view thereof;

FIG. 23 is a front view thereof;

FIG. 24 is a lower, right perspective view of the design of FIG. 1, shown in a fourth environment;

FIG. 25 is a lower, right perspective view of the design of FIG. 2, shown in a fourth environment;

FIG. 26 is a back view of FIG. 24;

FIG. 27 is a bottom-up view thereof;

FIG. 28 is a top-down view thereof;

FIG. 29 is a right-side view thereof;

FIG. 30 is a front view thereof;

FIG. 31 is a lower, right perspective view of the design of FIG. 1, shown in a fifth environment;

FIG. 32 is a lower, right perspective view of the design of FIG. 2, shown in a fifth environment;

FIG. 33 is a back view of FIG. 31;

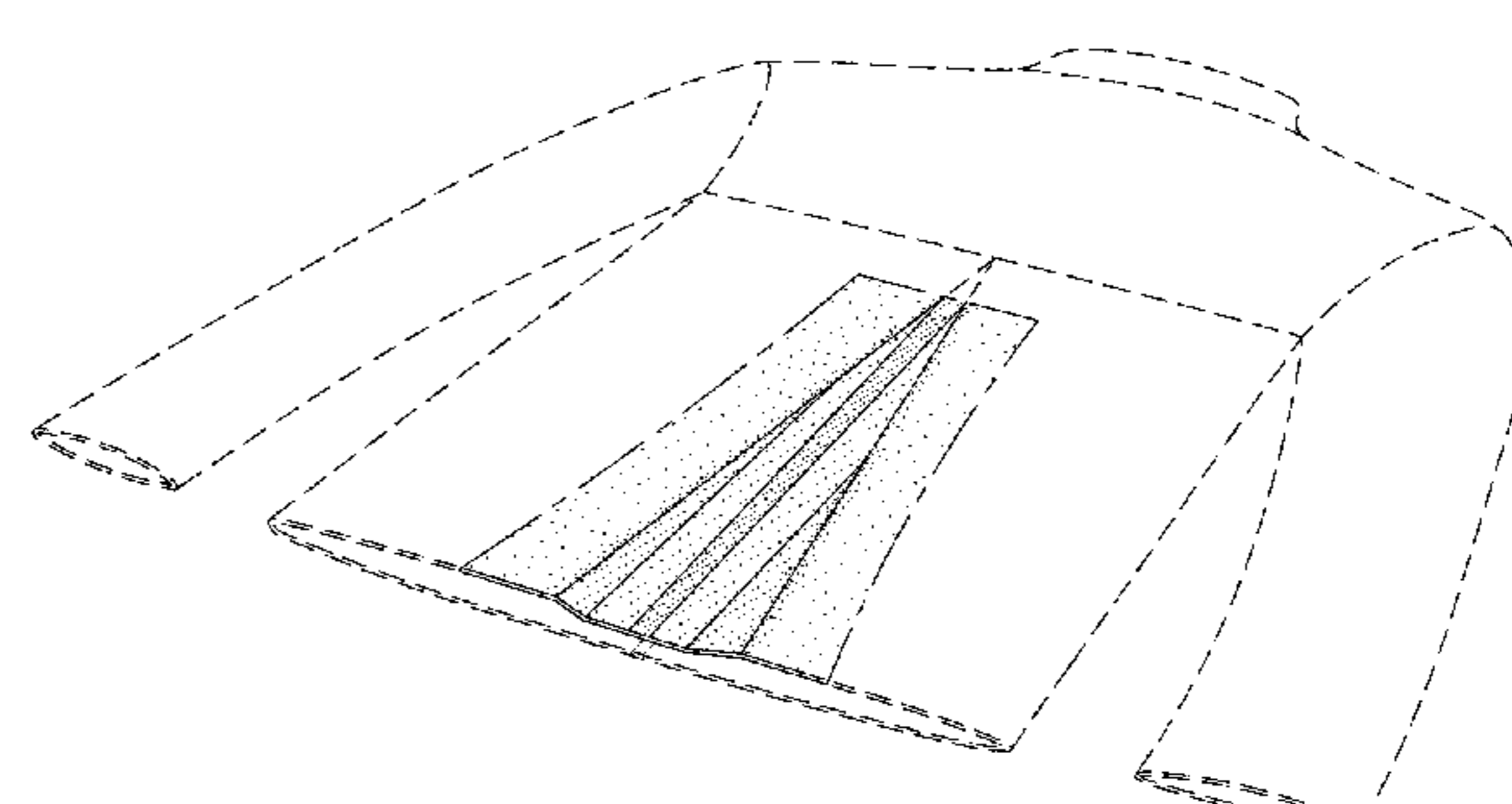
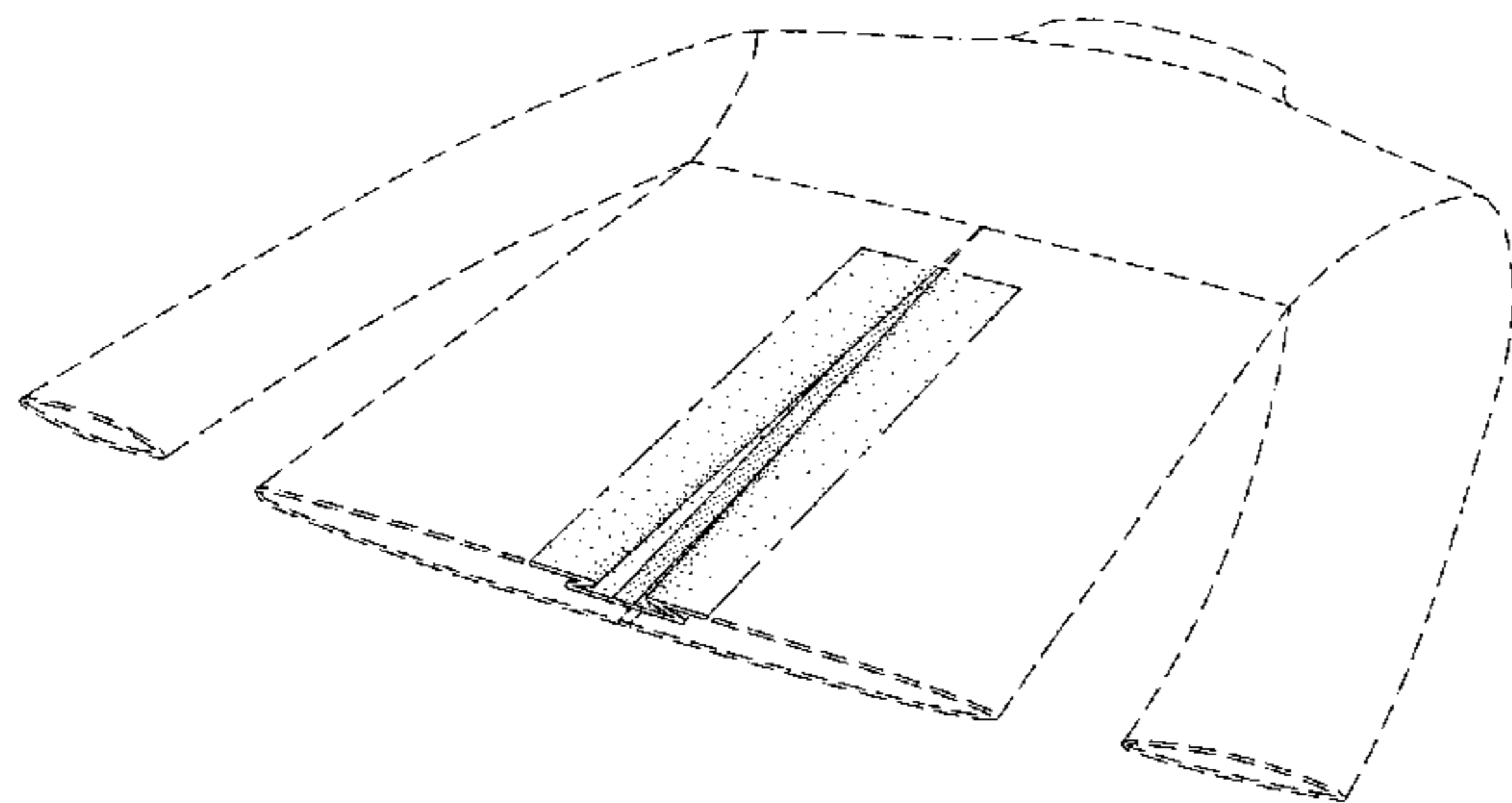
FIG. 34 is a bottom-up view thereof;

FIG. 35 is a top-down view thereof;

FIG. 36 is a right-side view thereof; and,

FIG. 37 is a front view thereof.

(Continued)



The broken lines shown in the drawings are included for the purpose of illustrating environmental structure and form no part of the claimed design.

The contrast in shading represents a contrast in appearance only and does not represent any particular color, material, texture or finish.

1 Claim, 15 Drawing Sheets

(58) Field of Classification Search

CPC A41D 27/24; A41D 27/10; A41D 1/00;
A41D 1/10; A41D 1/18; A41D 2300/50

See application file for complete search history.

(56) References Cited

U.S. PATENT DOCUMENTS

D154,621 S *	7/1949	Morgan	D2/757
D168,174 S *	11/1952	Orloff	D2/850
D171,748 S *	3/1954	Chapman	D2/797
D228,699 S *	10/1973	Keyloun	D2/756
4,670,907 A *	6/1987	Gutterman	A41D 15/002
				2/105
D316,924 S *	5/1991	Berberian	D2/840
5,568,779 A *	10/1996	Wong	A41D 27/10
				112/441
D459,572 S *	7/2002	Ashida	D2/756
D615,732 S *	5/2010	Van Slovis	D2/857
D694,491 S *	12/2013	Miller	D2/739
D714,525 S *	10/2014	Payne	D2/828
D765,356 S *	9/2016	Malary, Jr.	D2/858
D784,659 S *	4/2017	Darmour	D2/840

* cited by examiner

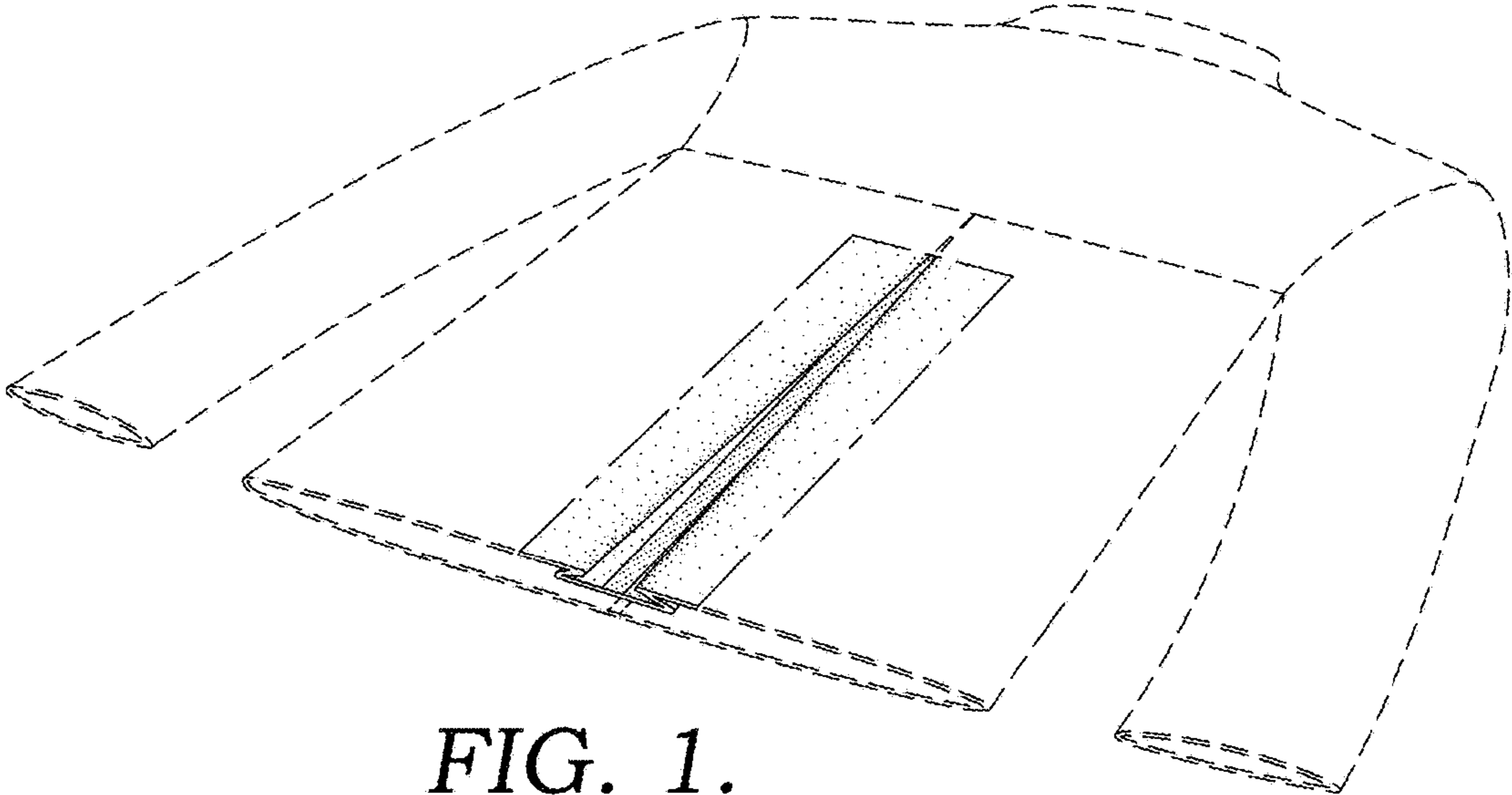


FIG. 1.

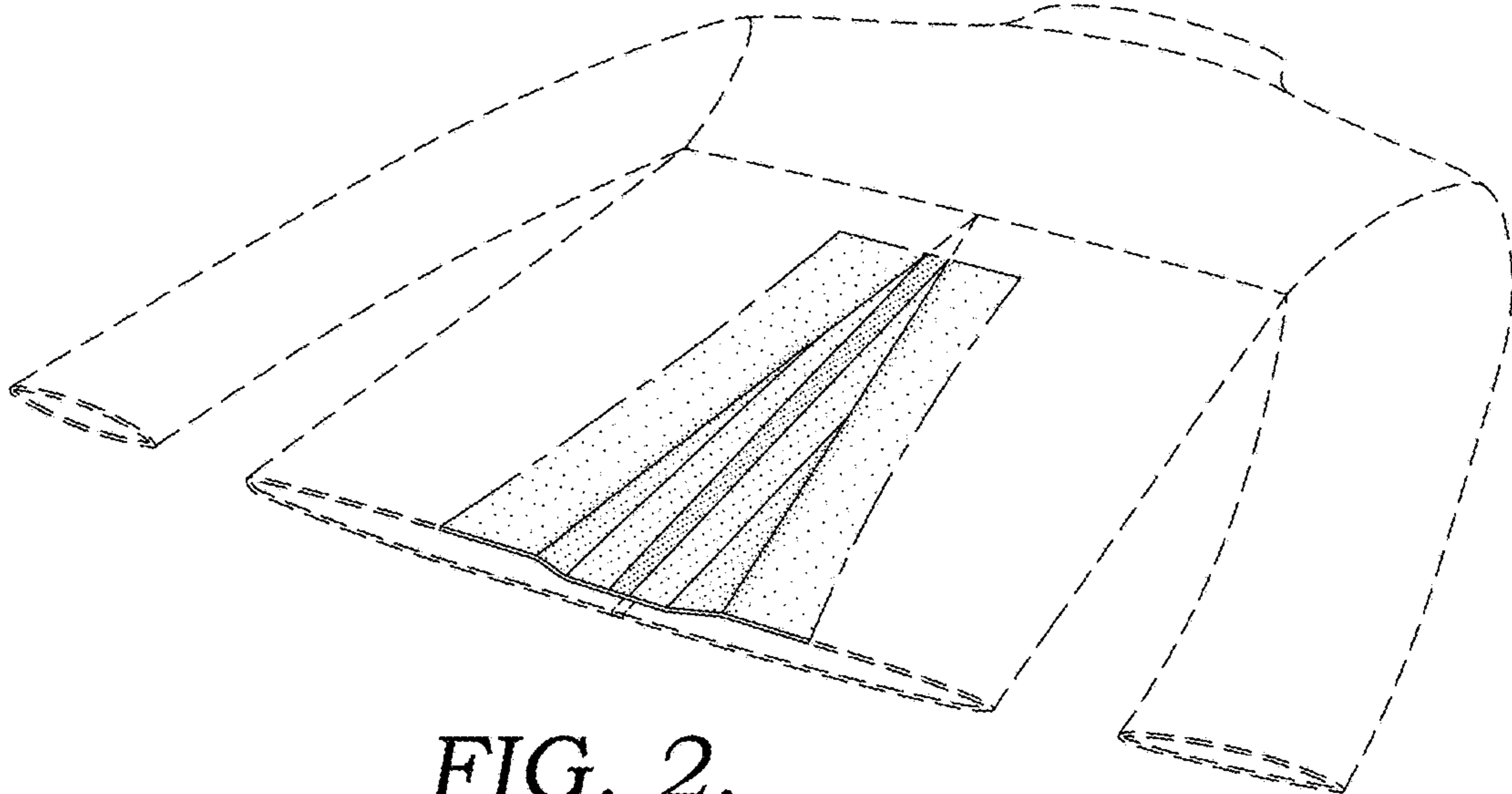


FIG. 2.

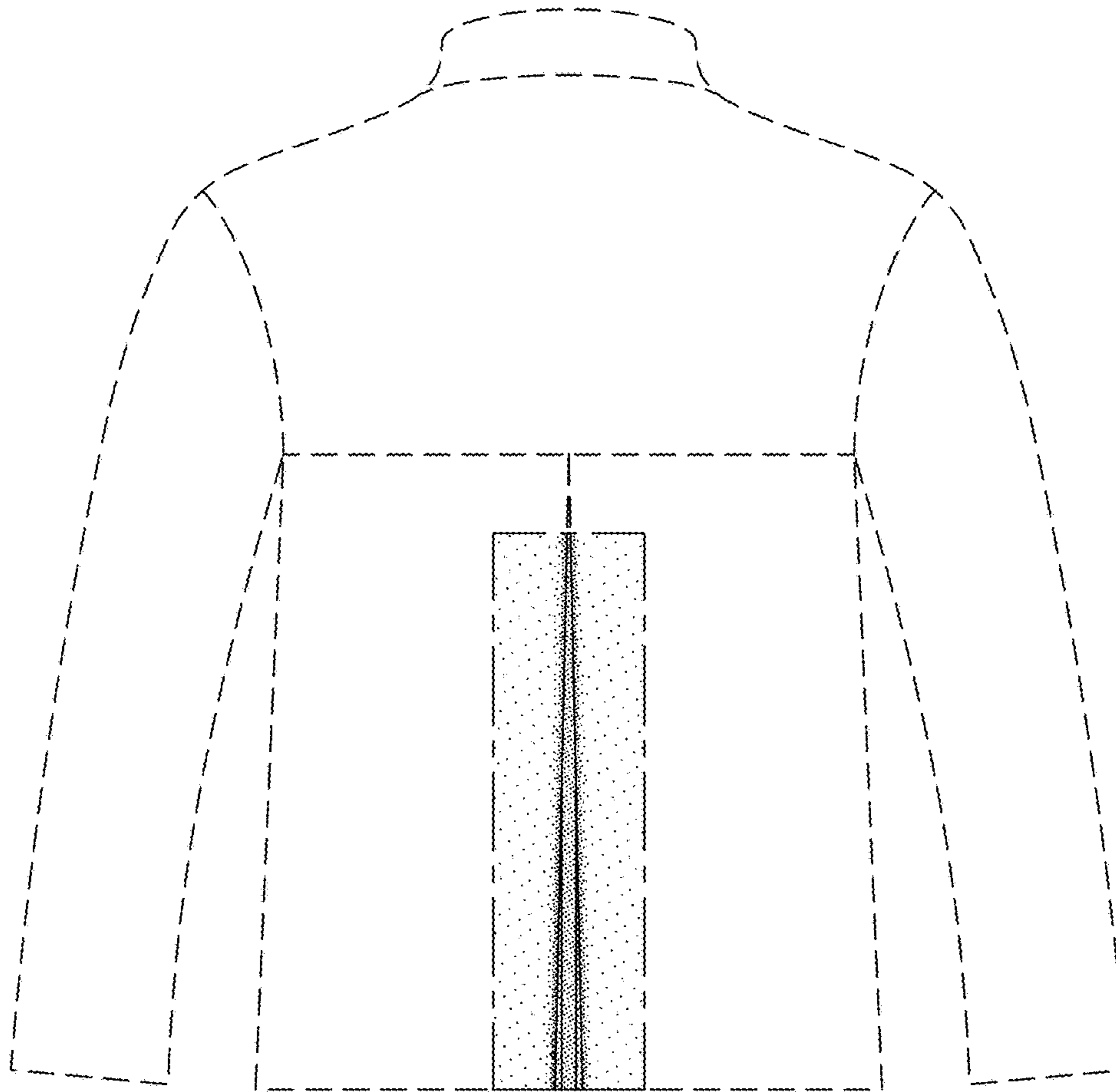


FIG. 3.



FIG. 4.

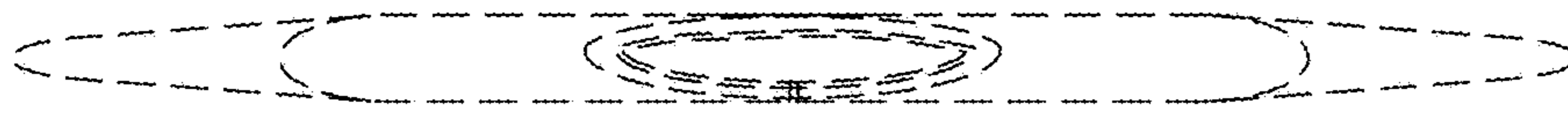


FIG. 5.

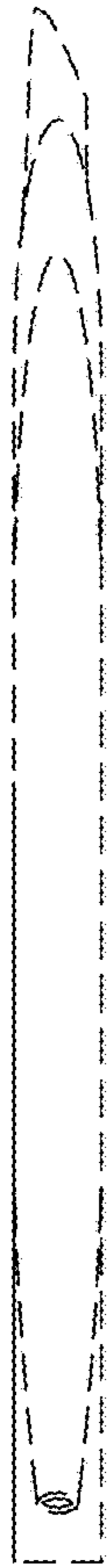


FIG. 7.

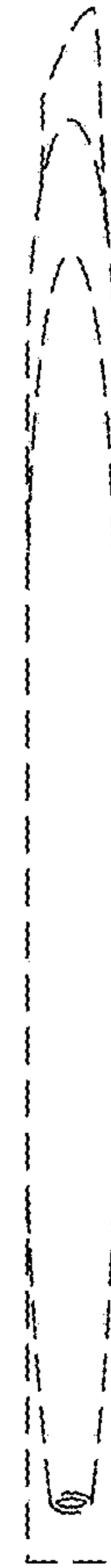


FIG. 6.

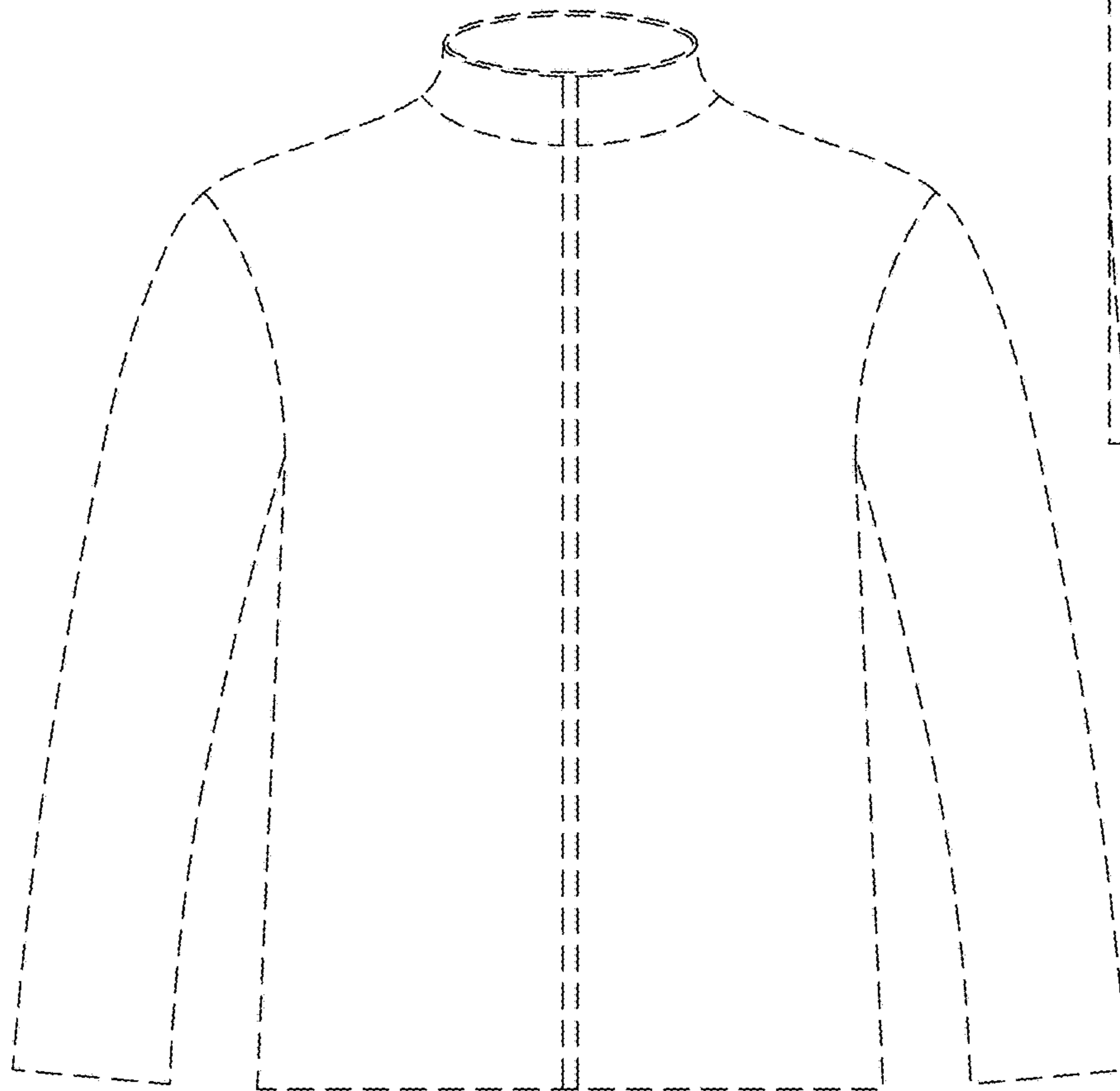


FIG. 8.

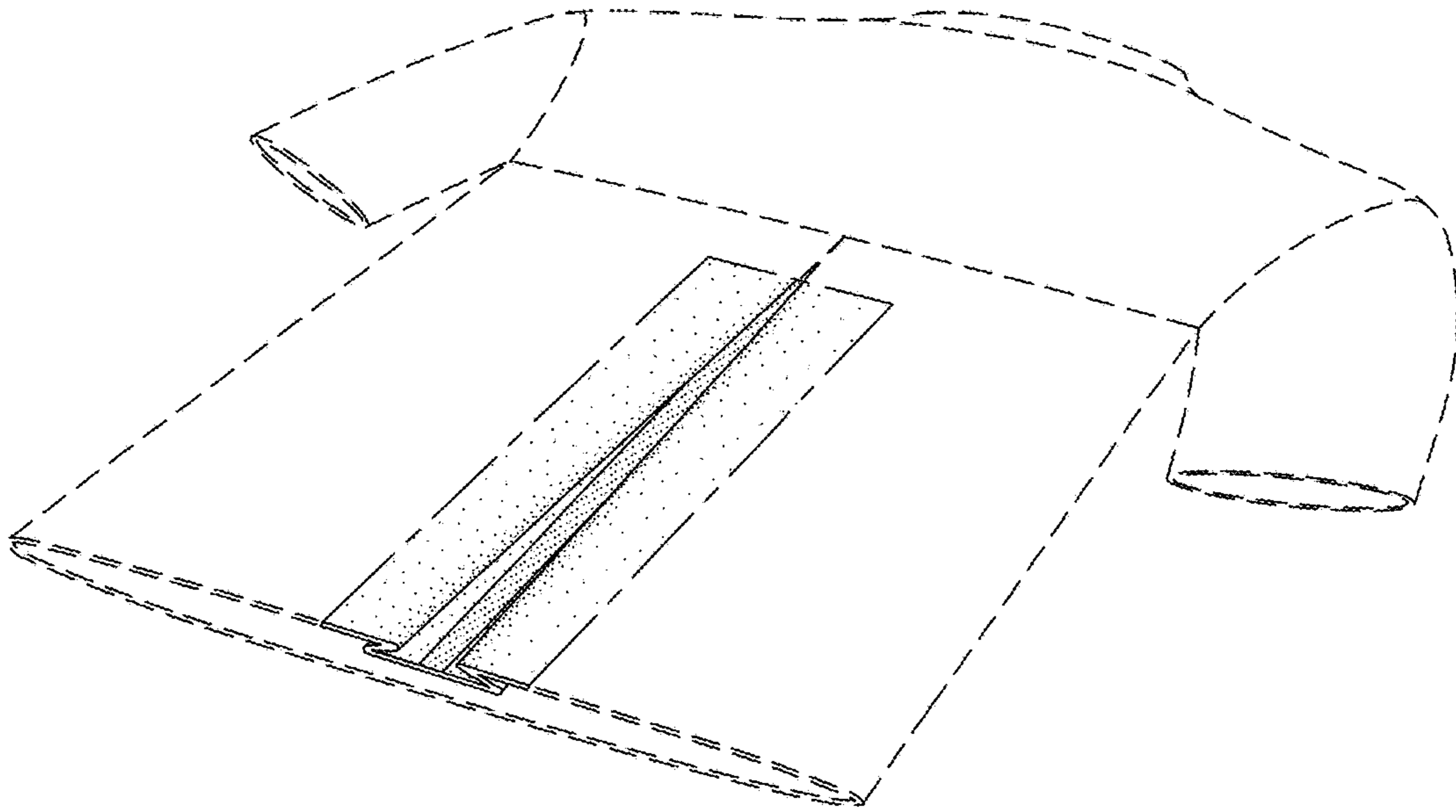


FIG. 9.

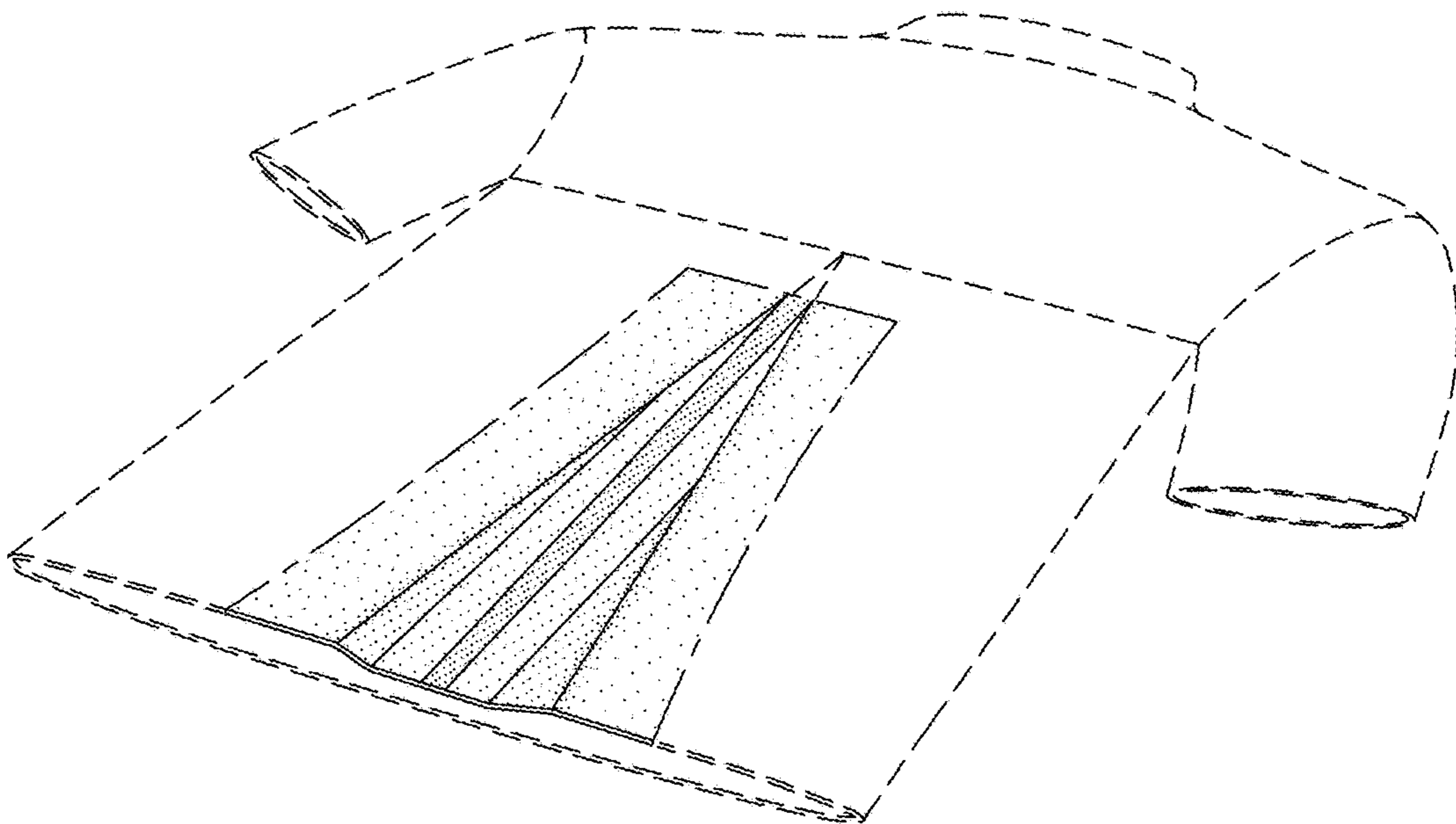


FIG. 10.

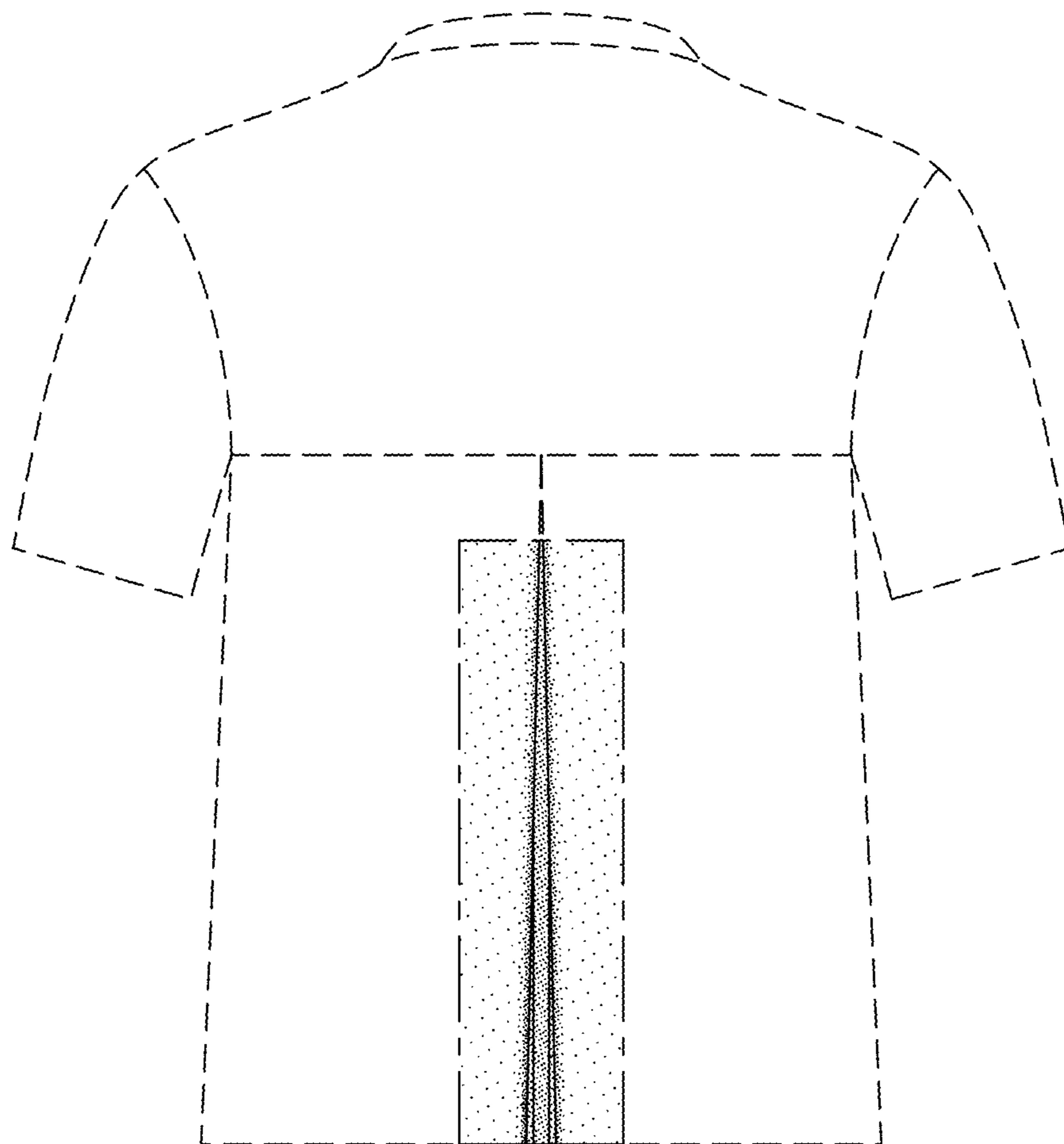


FIG. 11.



FIG. 12.

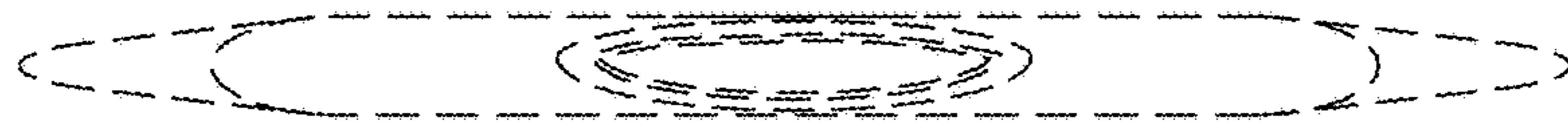


FIG. 13.

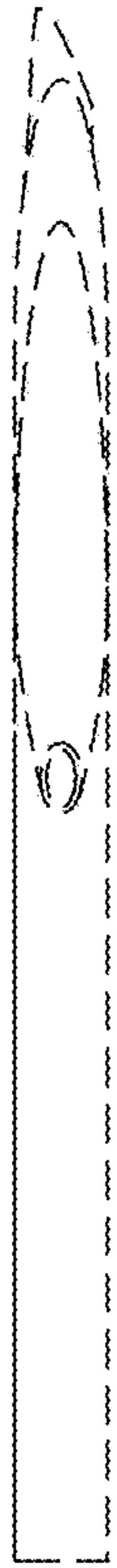


FIG. 15.

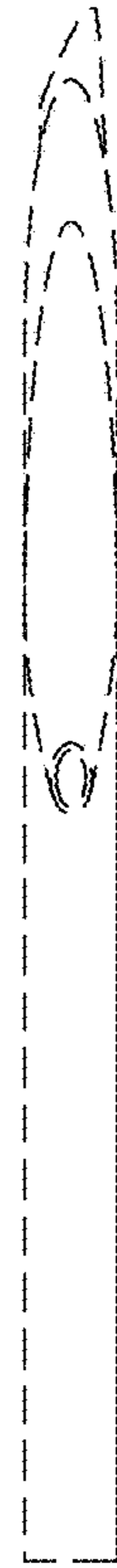


FIG. 14.

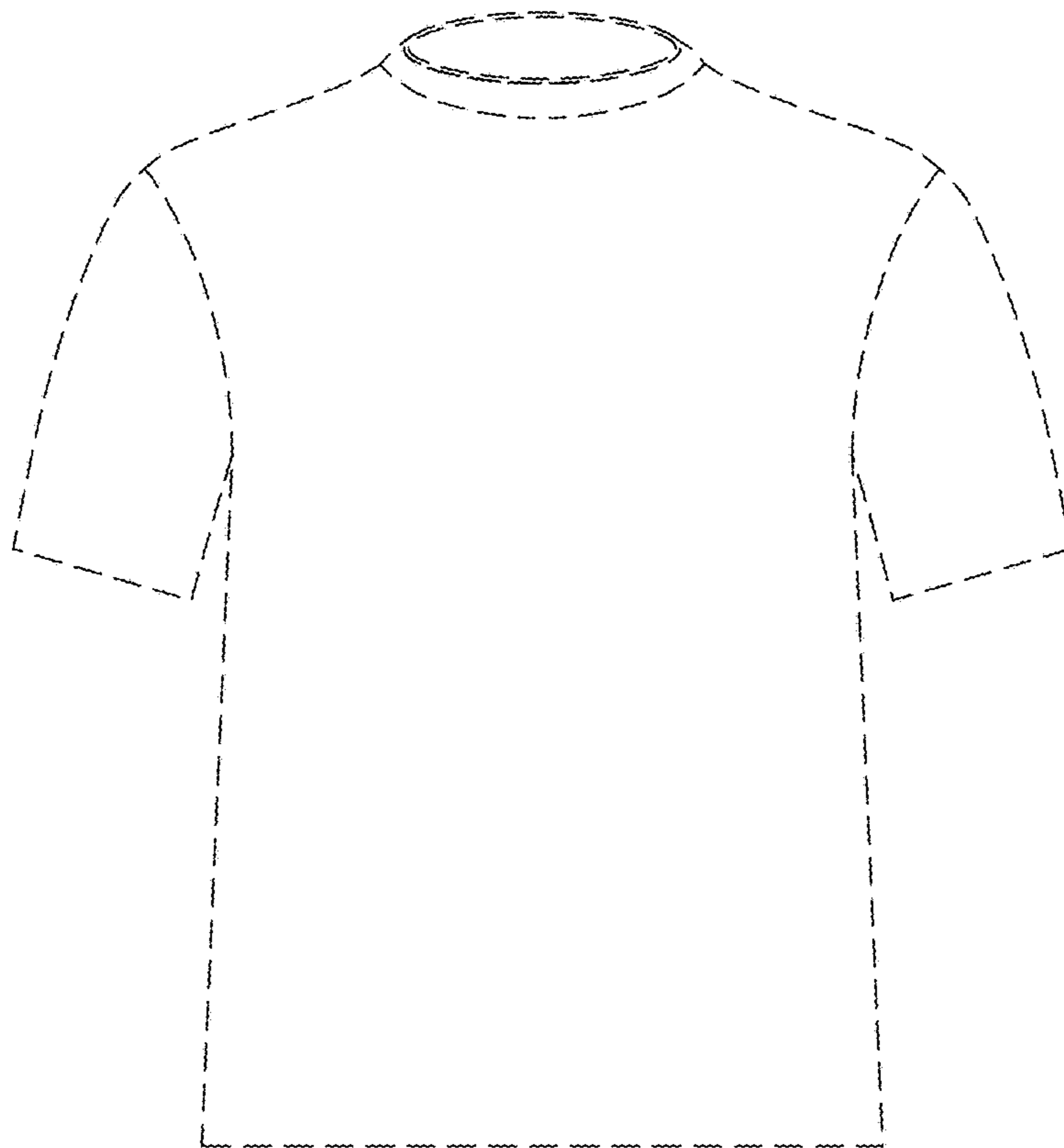


FIG. 16.

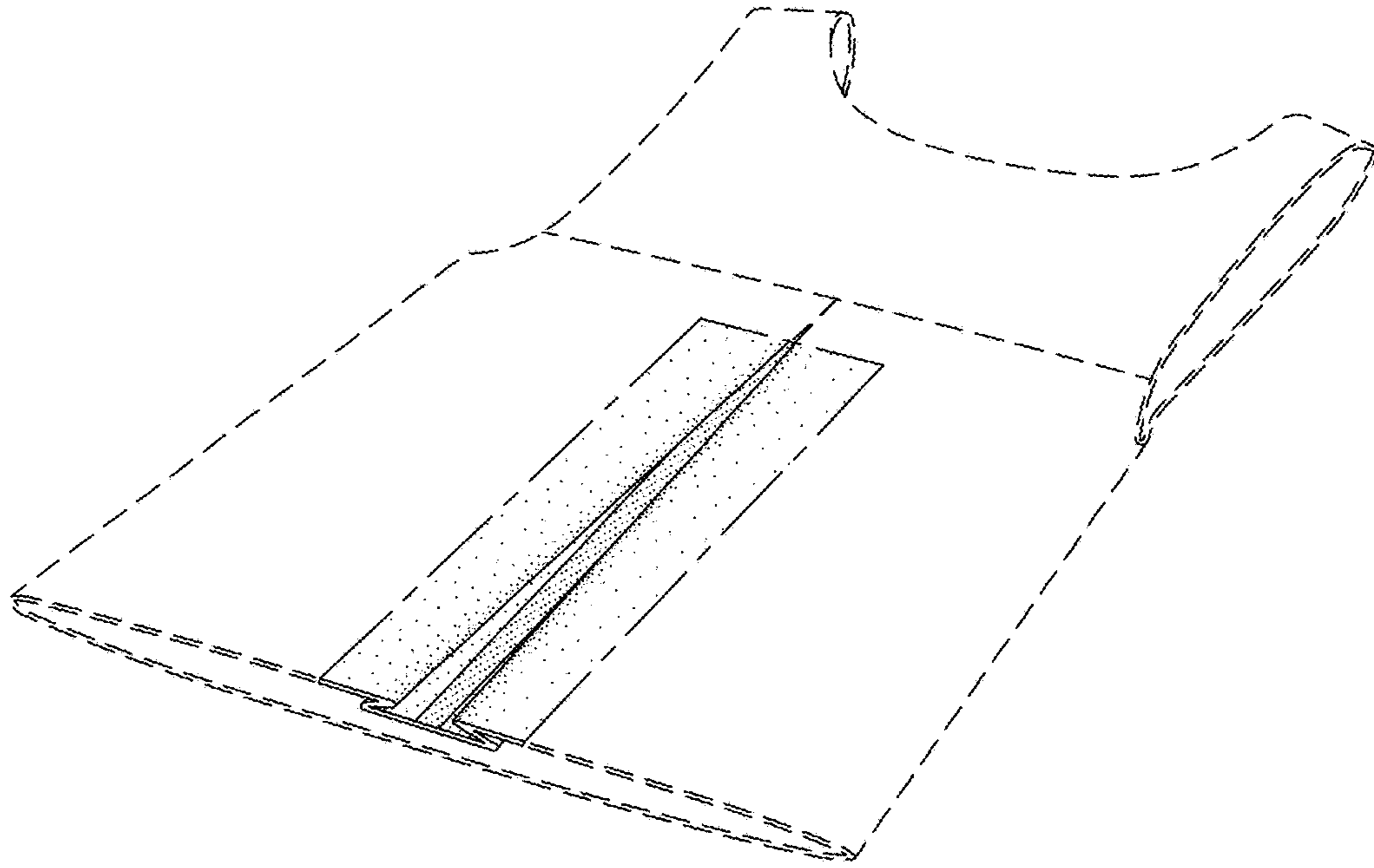


FIG. 17.

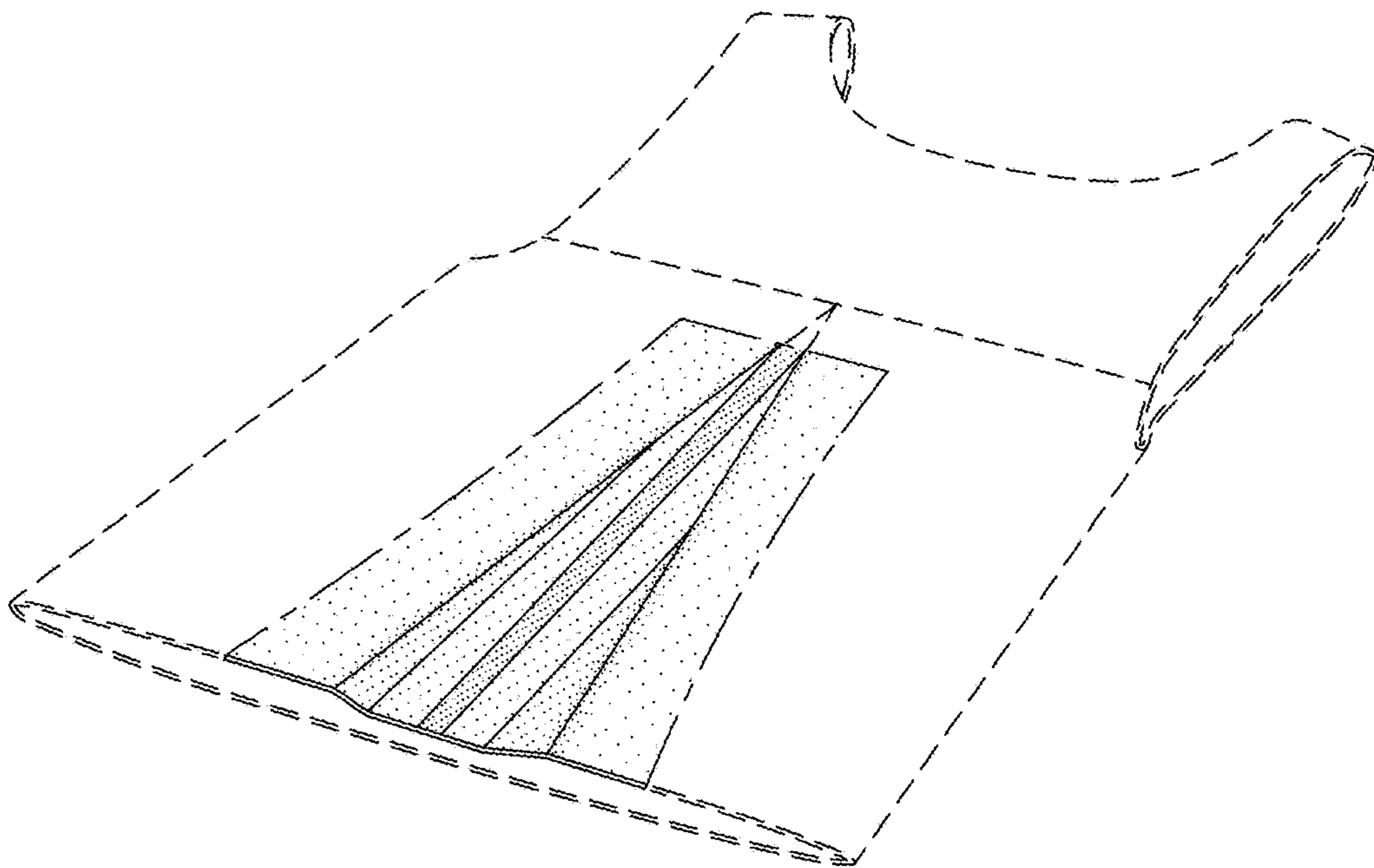


FIG. 18.

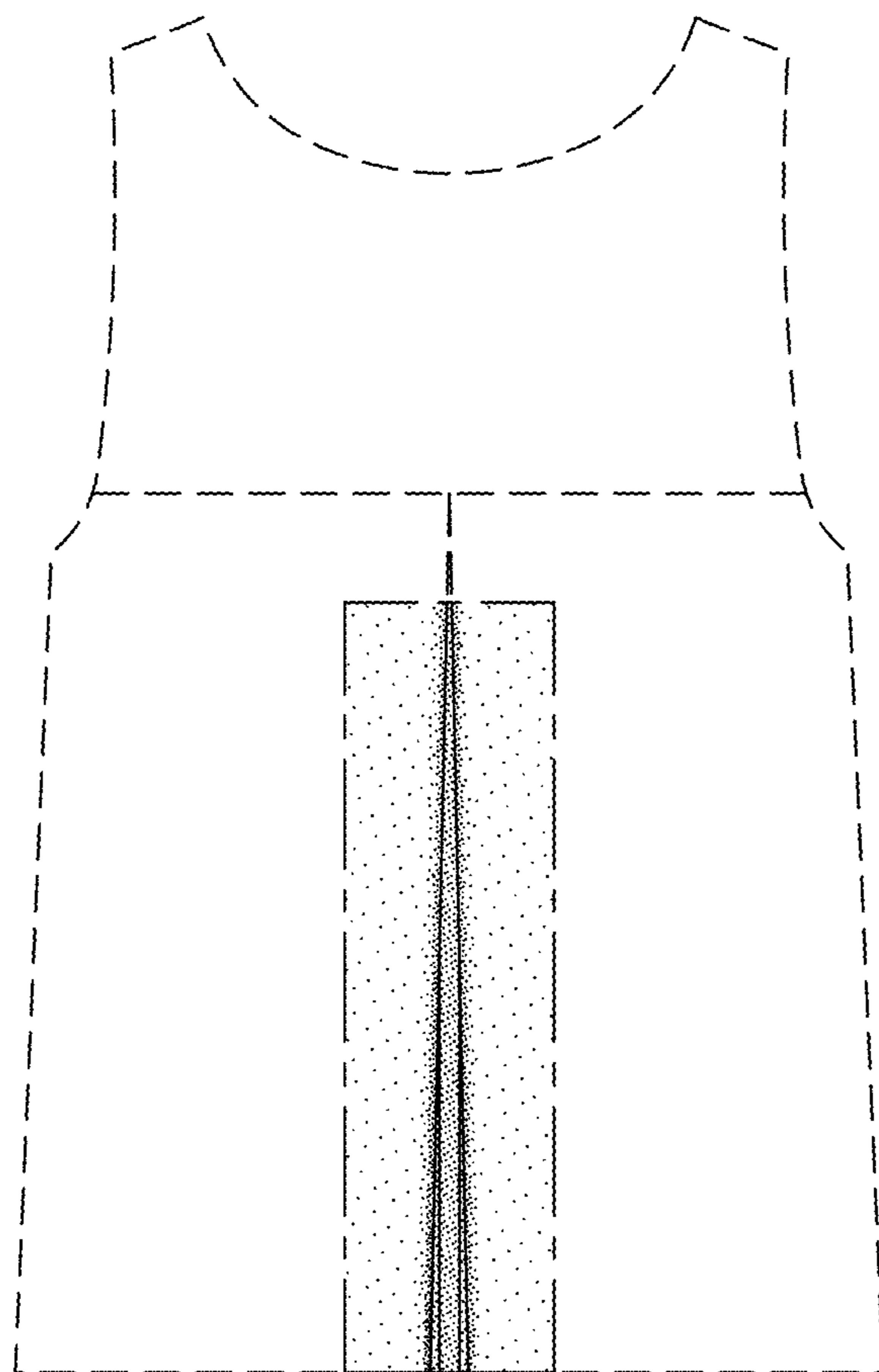


FIG. 19.



FIG. 20.

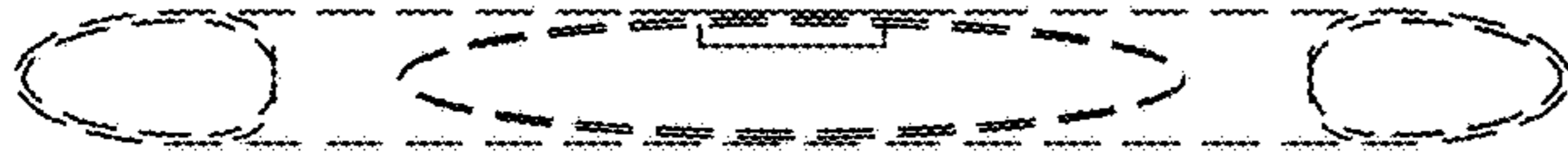


FIG. 21.

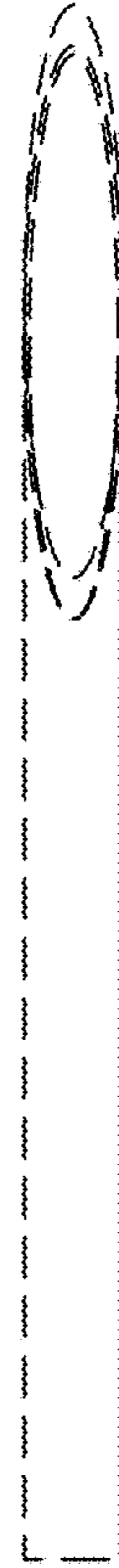


FIG. 22.

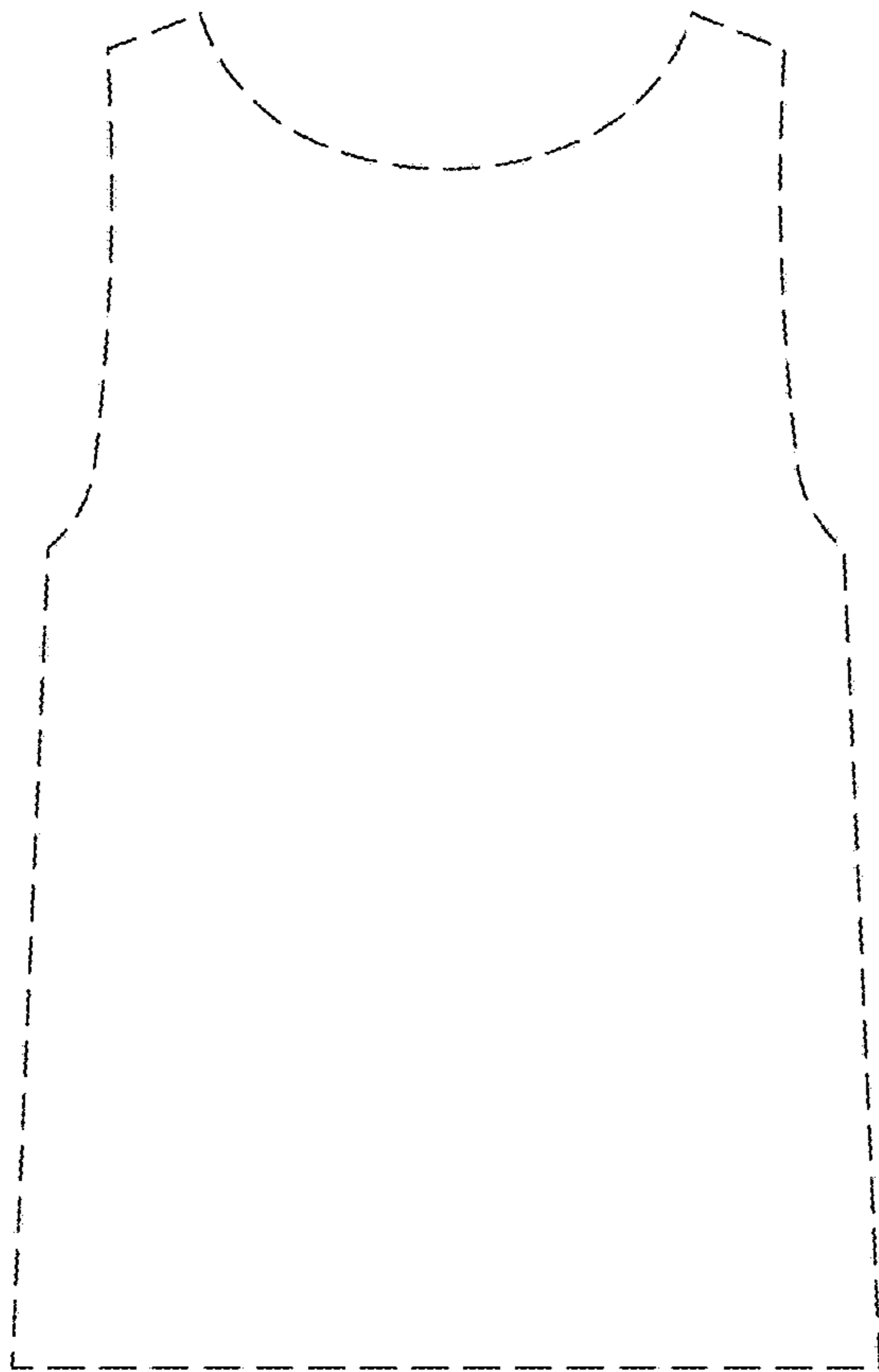


FIG. 23.

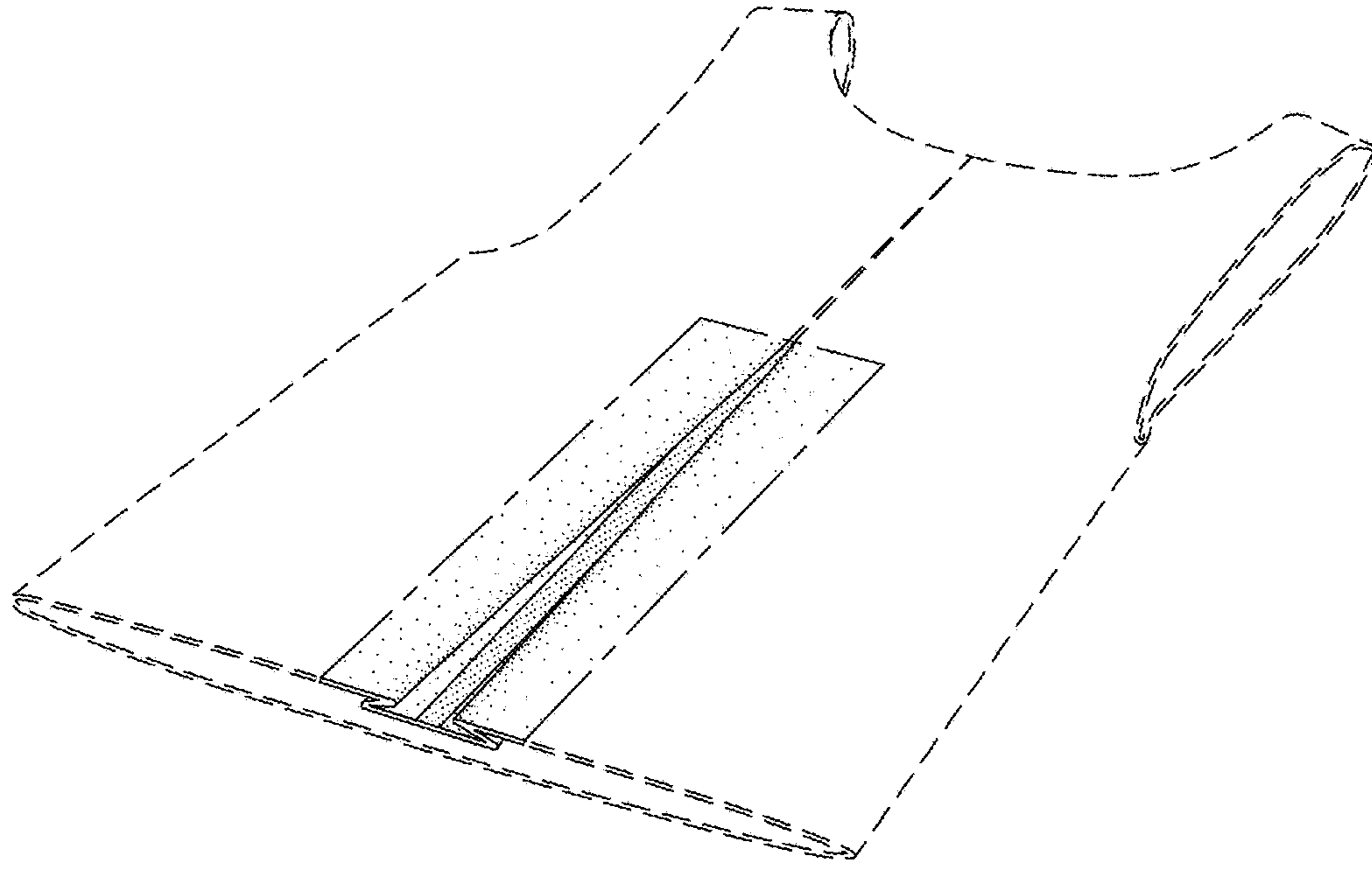


FIG. 24.

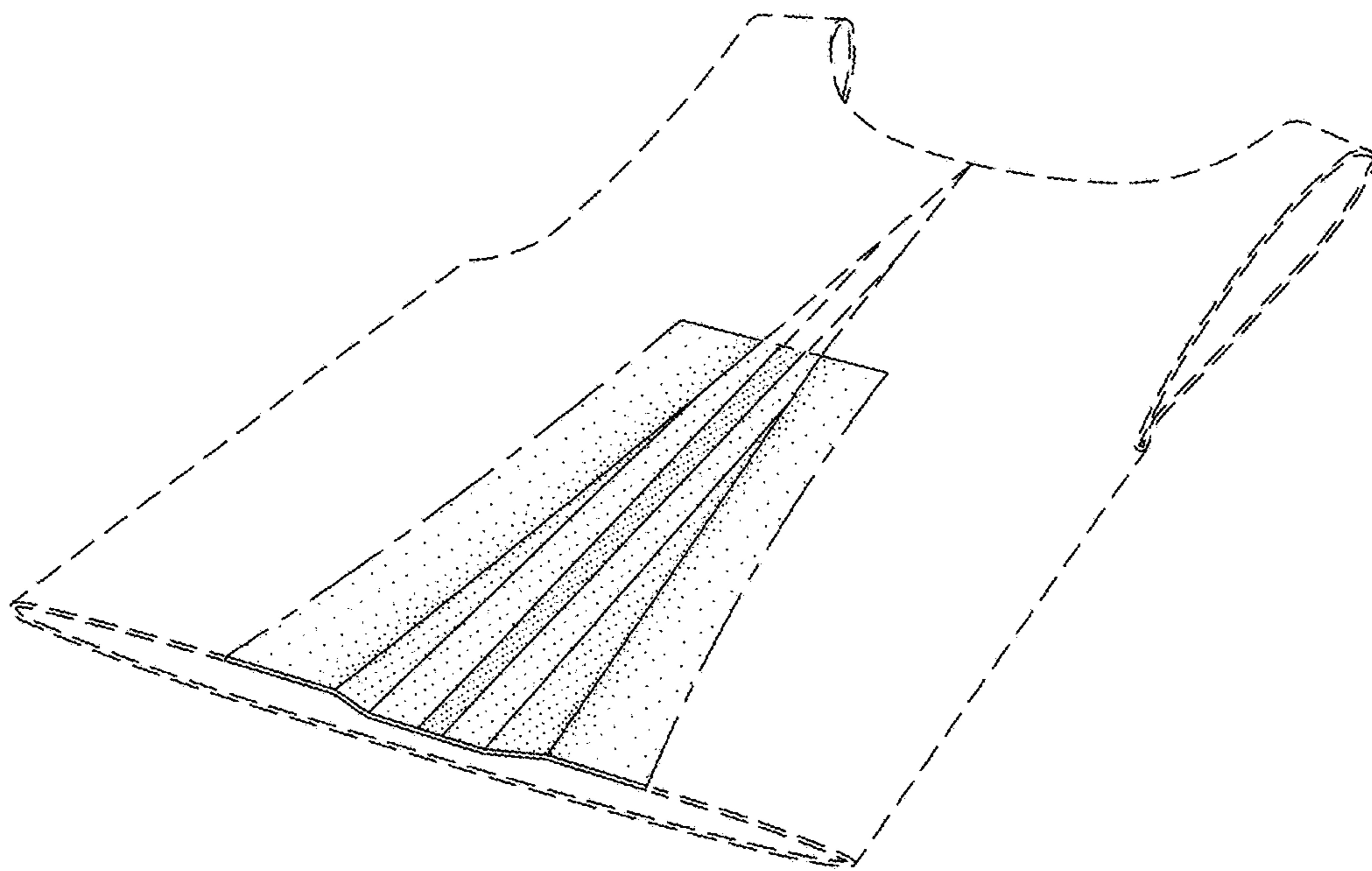


FIG. 25.

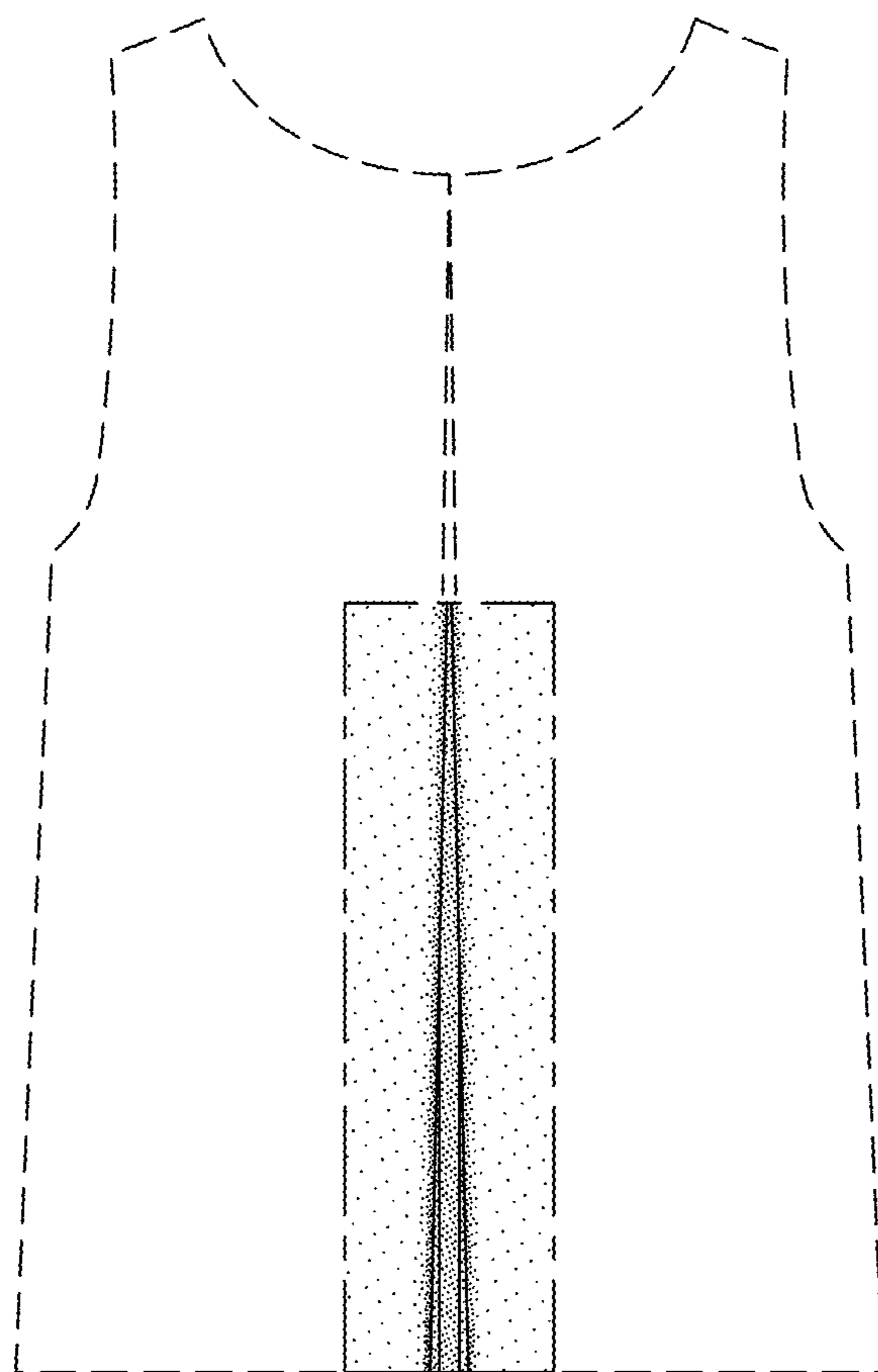


FIG. 26.



FIG. 27.

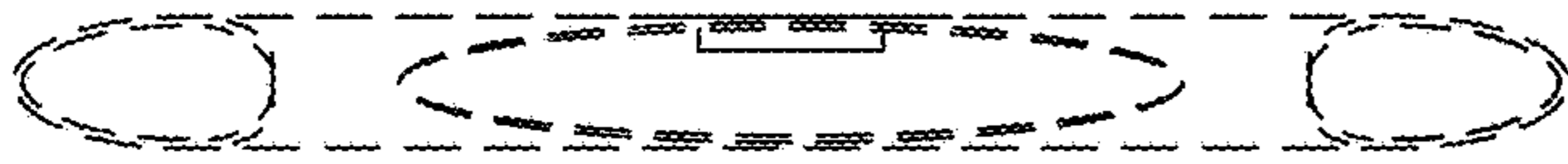


FIG. 28.

FIG. 29.

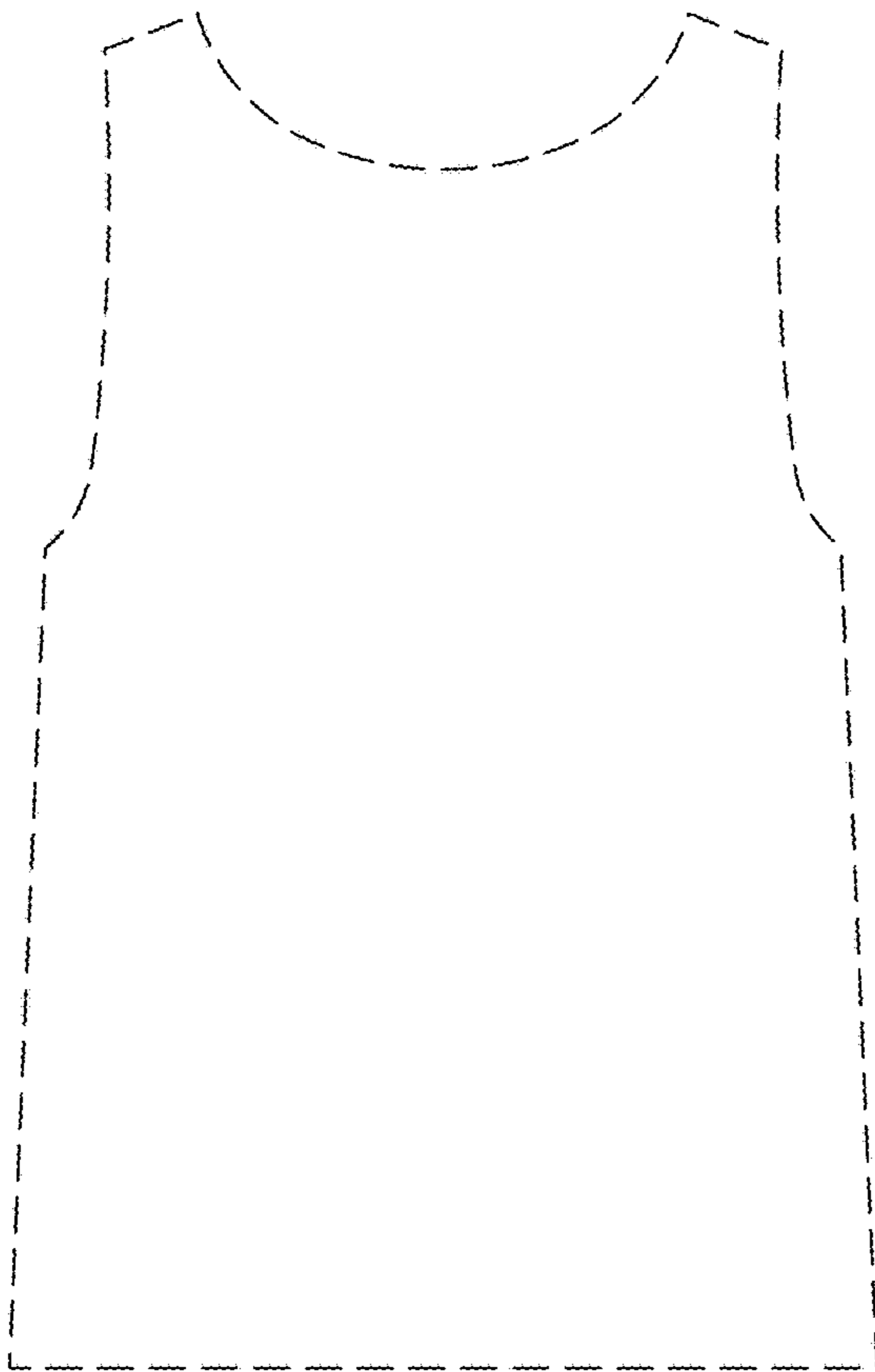
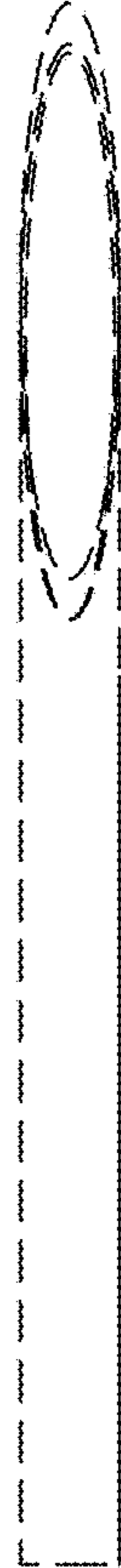


FIG. 30.

FIG. 31.

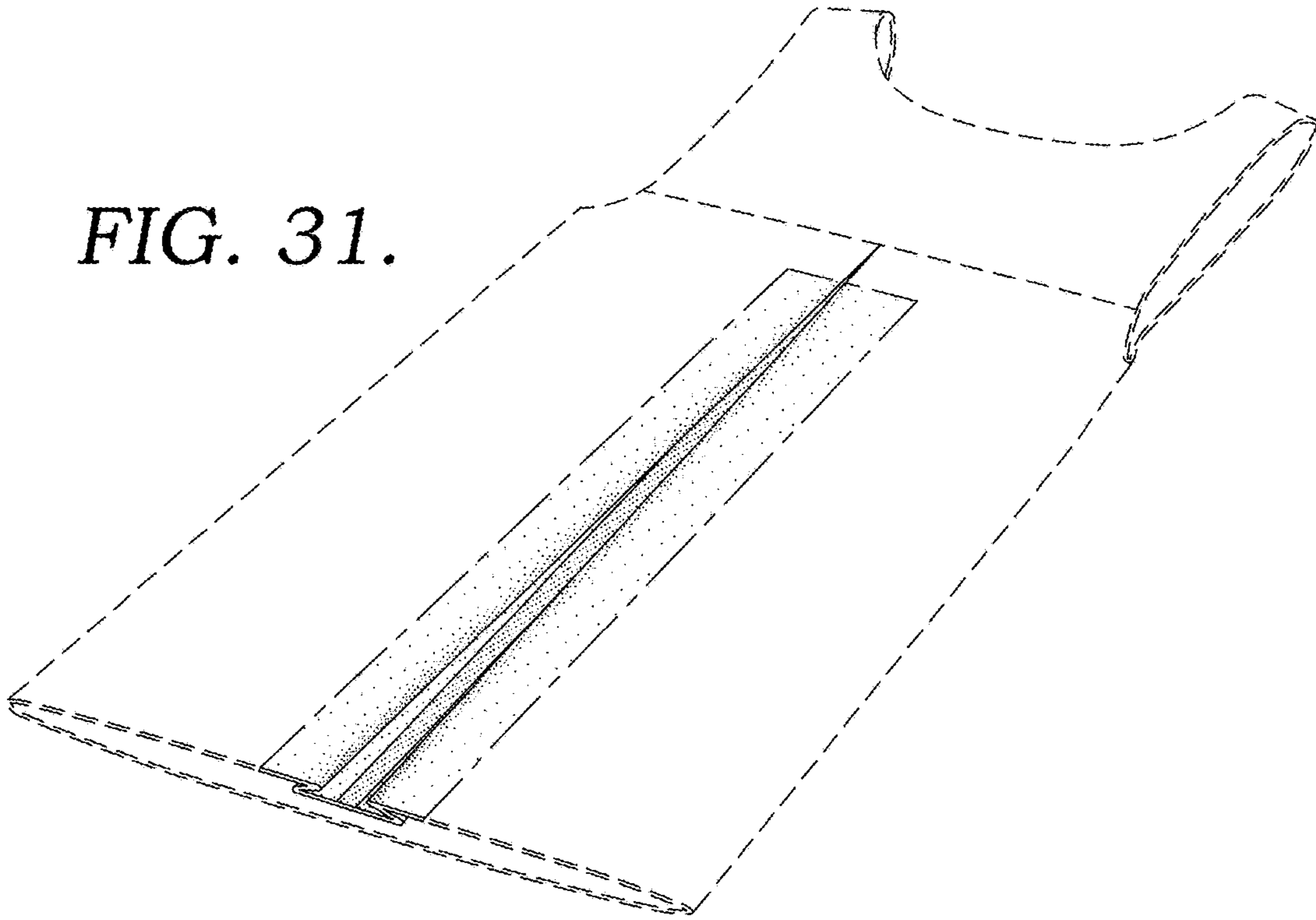
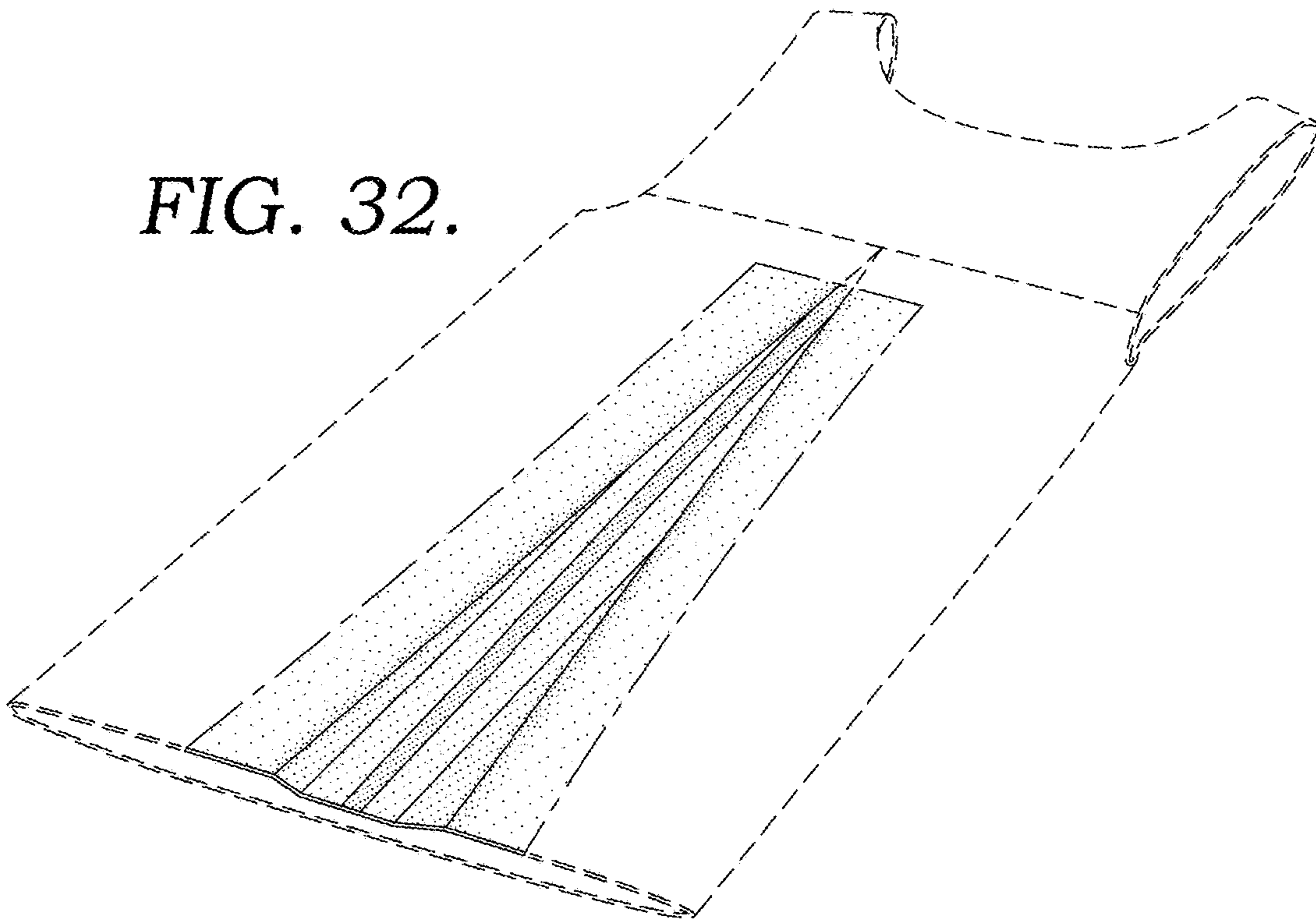


FIG. 32.



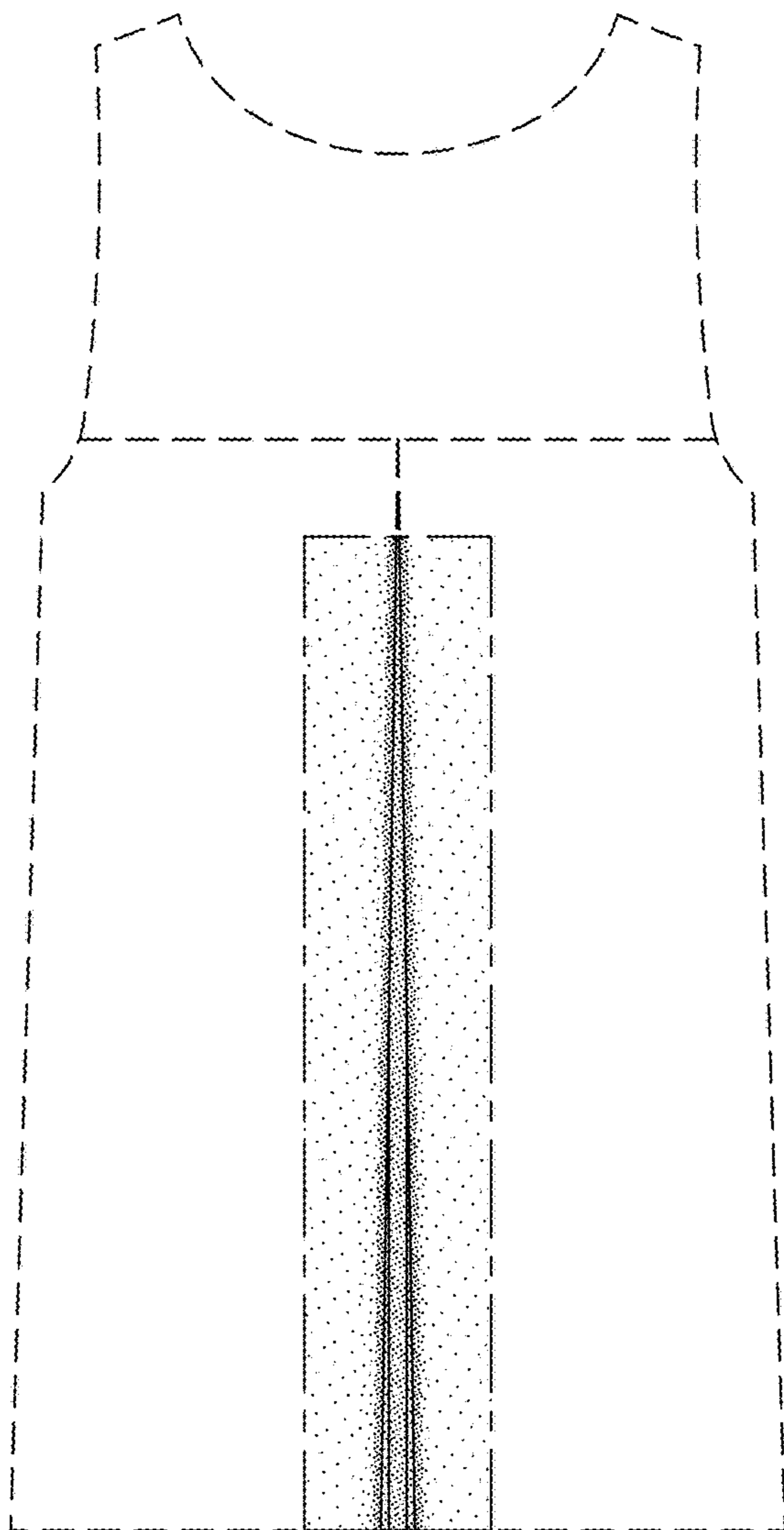


FIG. 33.

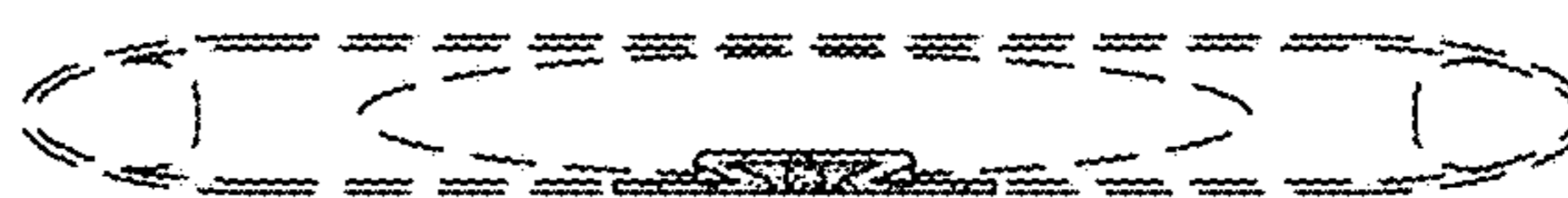


FIG. 34.

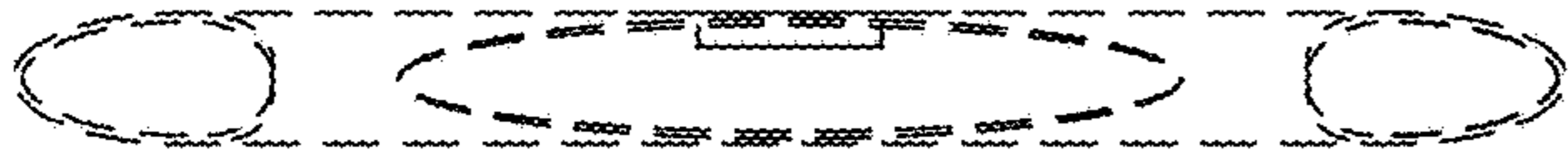


FIG. 35.

FIG. 36.

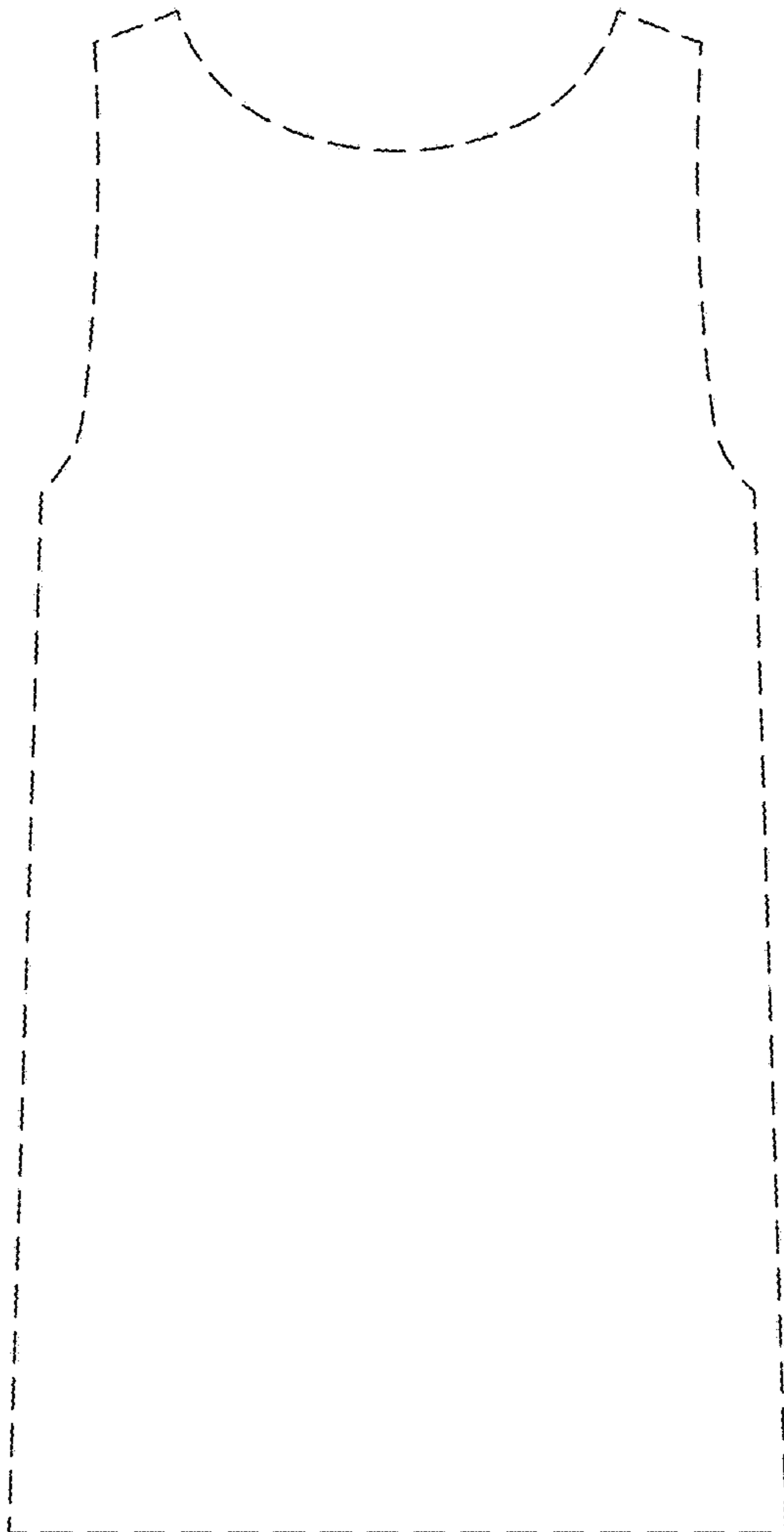
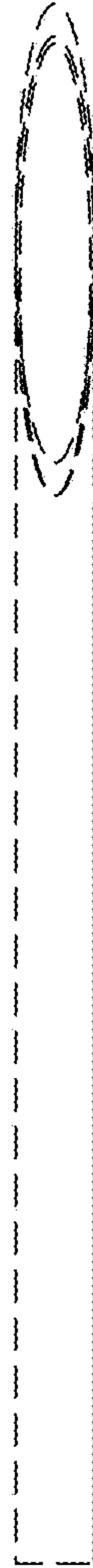


FIG. 37.

UNITED STATES PATENT AND TRADEMARK OFFICE
CERTIFICATE OF CORRECTION

PATENT NO. : D795,527 S
APPLICATION NO. : 29/564860
DATED : August 29, 2017
INVENTOR(S) : Jessica Lomax

Page 1 of 1

It is certified that error appears in the above-identified patent and that said Letters Patent is hereby corrected as shown below:

On the Title Page

In the Description:

Column 2, Line 44: "thereof; and," should read --thereof; and--

Signed and Sealed this
Tenth Day of October, 2017



Joseph Matal
*Performing the Functions and Duties of the
Under Secretary of Commerce for Intellectual Property and
Director of the United States Patent and Trademark Office*