



US00D795526S

(12) **United States Design Patent** (10) **Patent No.:** **US D795,526 S**
Wu (45) **Date of Patent:** **** Aug. 29, 2017**

(54) **CLOTH BELT**
(71) Applicant: **Tsung-Jung Wu**, Taichung (TW)
(72) Inventor: **Tsung-Jung Wu**, Taichung (TW)
(**) Term: **15 Years**
(21) Appl. No.: **29/557,610**
(22) Filed: **Mar. 10, 2016**

(30) **Foreign Application Priority Data**

Jan. 5, 2016 (TW) 105300023

(51) **LOC (10) Cl.** **02-07**

(52) **U.S. Cl.**
USPC **D2/635**

(58) **Field of Classification Search**
USPC D2/624, 625, 627-629, 631, 633-636,
D2/639, 640, 859, 861, 864; D3/226;
D21/683; D24/128, 190; D5/47
CPC .. A41D 1/00; A41D 1/22; A41F 19/00; A41F
9/002; A41F 9/02; A45F 5/04; A47G
21/165

See application file for complete search history.

(56) **References Cited**

U.S. PATENT DOCUMENTS

1,765,512 A * 6/1930 Waite D03D 1/00
100/297
1,821,504 A * 9/1931 Feiler D03D 1/00
139/420 R
D87,572 S * 8/1932 Hamilton D2/635
D102,821 S * 1/1937 Forstmann D5/47
D105,409 S * 7/1937 Richtmyer D2/635
D105,410 S * 7/1937 Richtmyer D2/635
D106,157 S * 9/1937 Troy D5/47
2,124,574 A * 7/1938 Hesse D03D 15/08
139/419
D120,252 S * 4/1940 Beck D5/47
D133,290 S * 8/1942 Nordstrom D5/47

2,584,891 A * 2/1952 Libby D03D 35/00
139/383 R
3,036,602 A * 5/1962 Meyer D03D 1/0011
139/420 R
5,285,658 A * 2/1994 Altman A44C 5/0053
2/338
D414,942 S * 10/1999 Grosfillex D5/47
D625,109 S * 10/2010 Wang D5/1
D656,297 S * 3/2012 Christian D2/627
D661,460 S * 6/2012 Roy D2/627

(Continued)

Primary Examiner — Celia Murphy

Assistant Examiner — Clare Ann Gannon

(74) *Attorney, Agent, or Firm* — Muncy, Geissler, Olds & Lowe, P.C.

(57) **CLAIM**

I claim the ornamental design for a cloth belt, as shown and described.

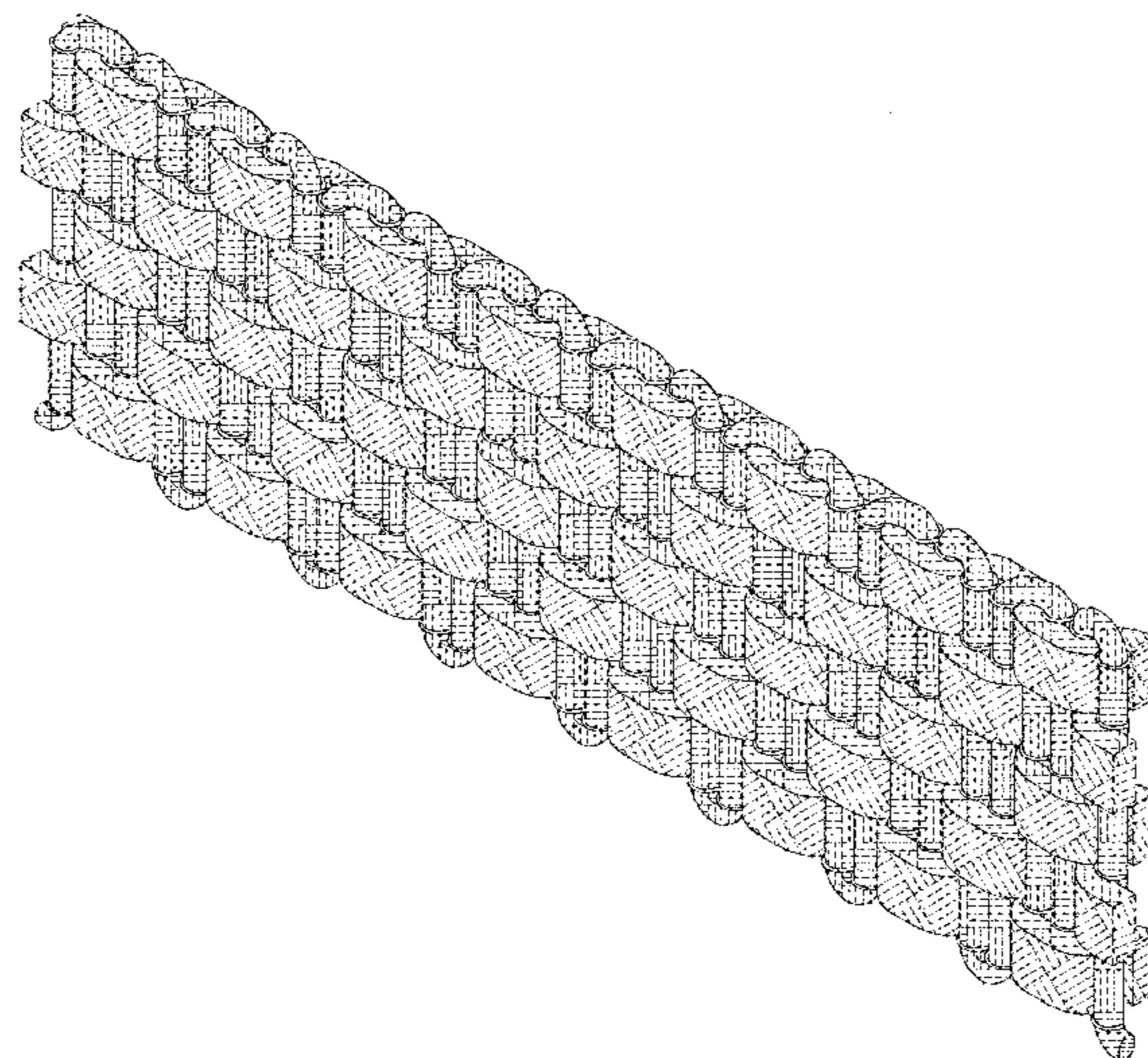
DESCRIPTION

FIG. 1 is a perspective view of a cloth belt showing my new design;
FIG. 2 is a front elevational view thereof;
FIG. 3 is a partially-enlarged drawing of FIG. 2;
FIG. 4 is a rear elevational view thereof;
FIG. 5 is a partially-enlarged drawing of FIG. 4;
FIG. 6 is a top plan view thereof;
FIG. 7 is a partially-enlarged drawing of FIG. 6;
FIG. 8 is a bottom plan view thereof;
FIG. 9 is a partially-enlarged drawing of FIG. 8;
FIG. 10 is a left side view thereof;
FIG. 11 is a partially-enlarged drawing of FIG. 10; and,
FIG. 12 is a right side view.

The dot-dashed line in the figures defines the boundary of claimed and unclaimed objects, and the dot-dashed line forms no part of the claimed design.

The evenly dashed broken lines shown on the surface of the cloth belt form no part of the claimed design.

1 Claim, 6 Drawing Sheets



(56)

References Cited

U.S. PATENT DOCUMENTS

D671,752 S * 12/2012 Anderson D5/47
2011/0137384 A1* 6/2011 Chen A61N 5/0613
607/88
2014/0101903 A1* 4/2014 Tuttle D04B 19/00
24/599.1
2015/0082662 A1* 3/2015 Farris A41F 15/002
36/84
2016/0316839 A1* 11/2016 King A41F 1/002

* cited by examiner

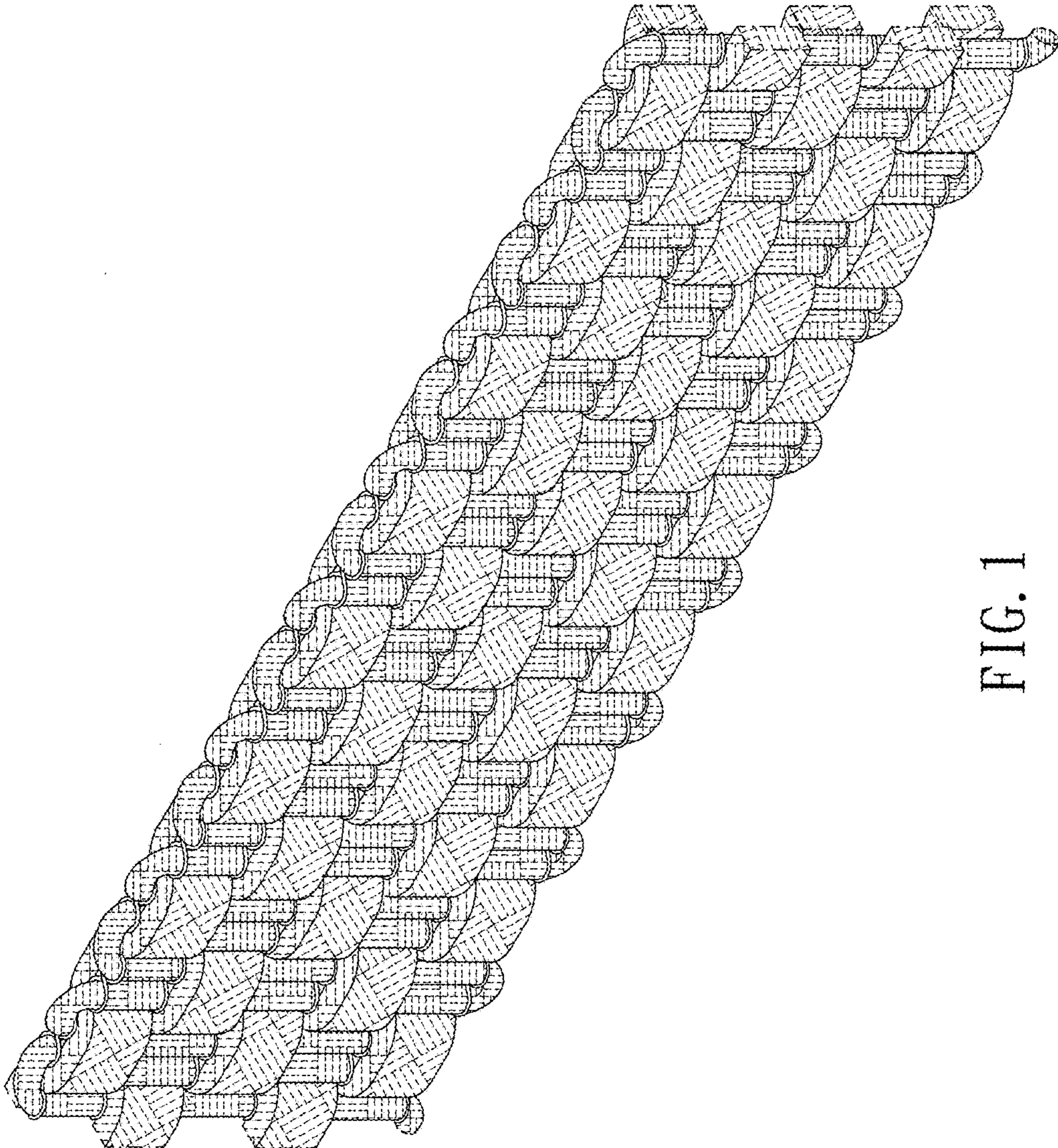


FIG. 1

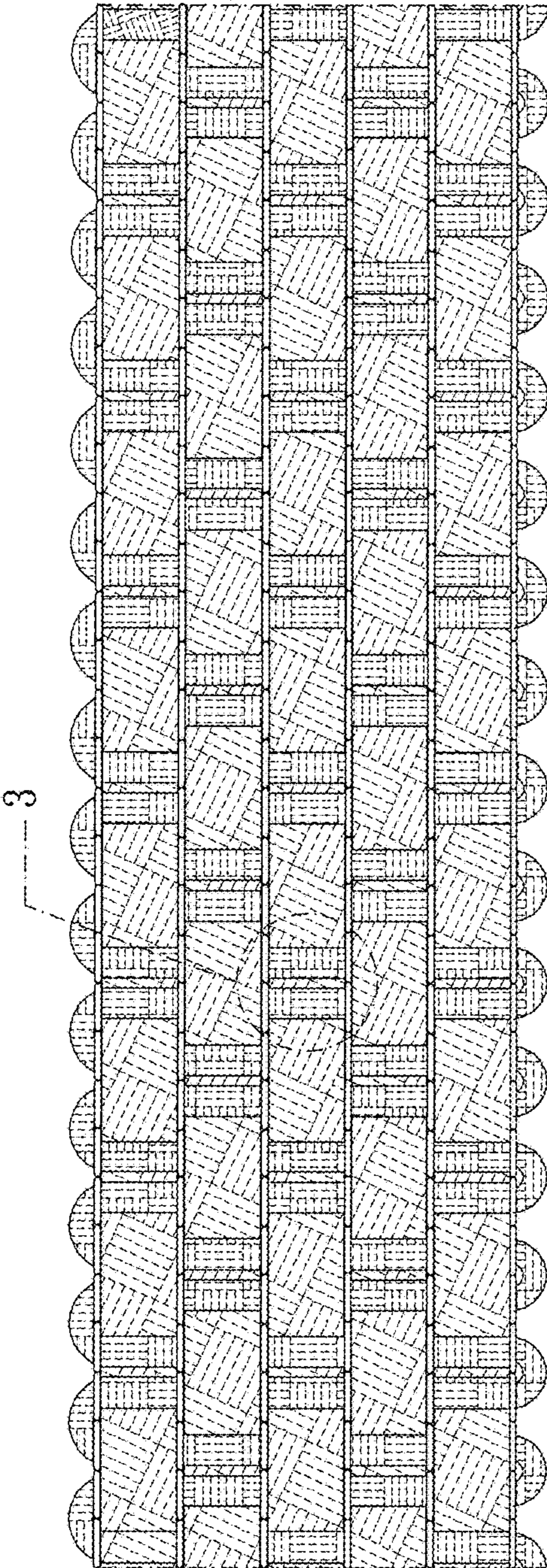


FIG. 2

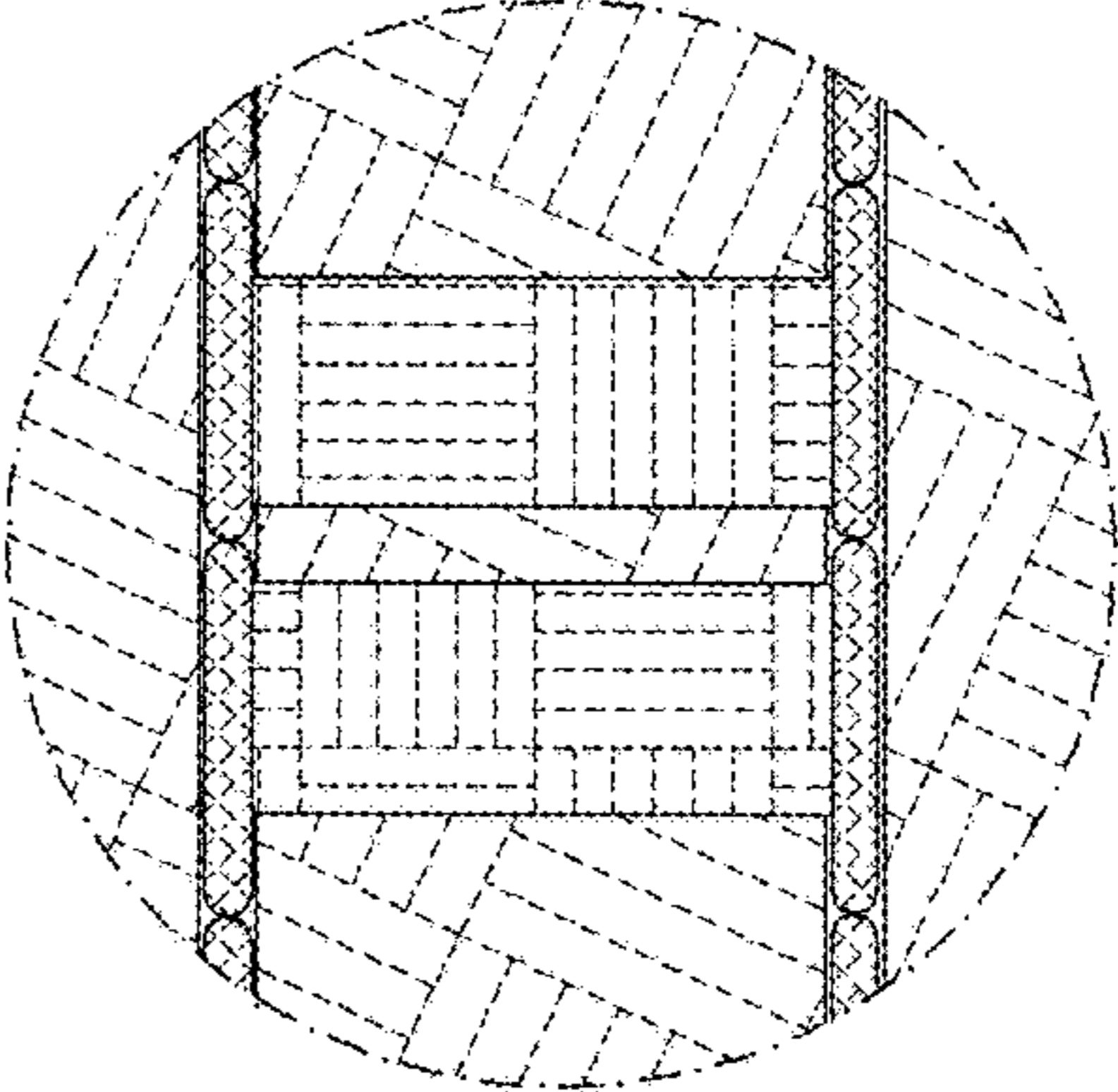


FIG. 3

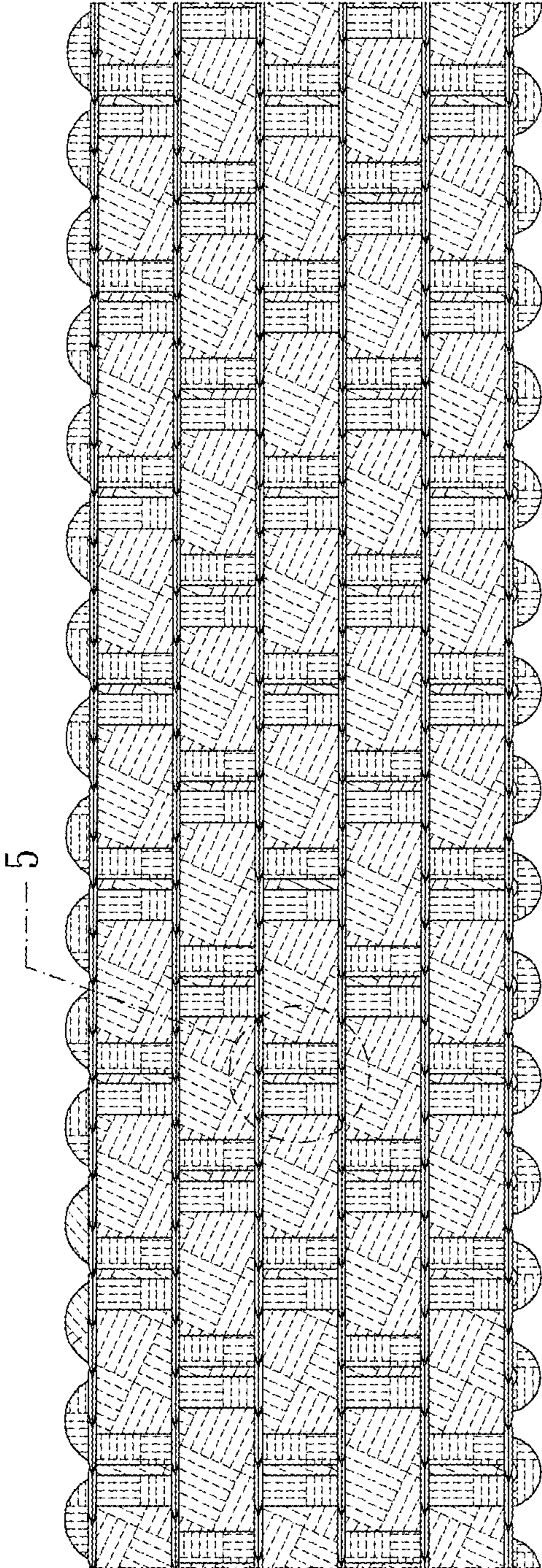


FIG. 4

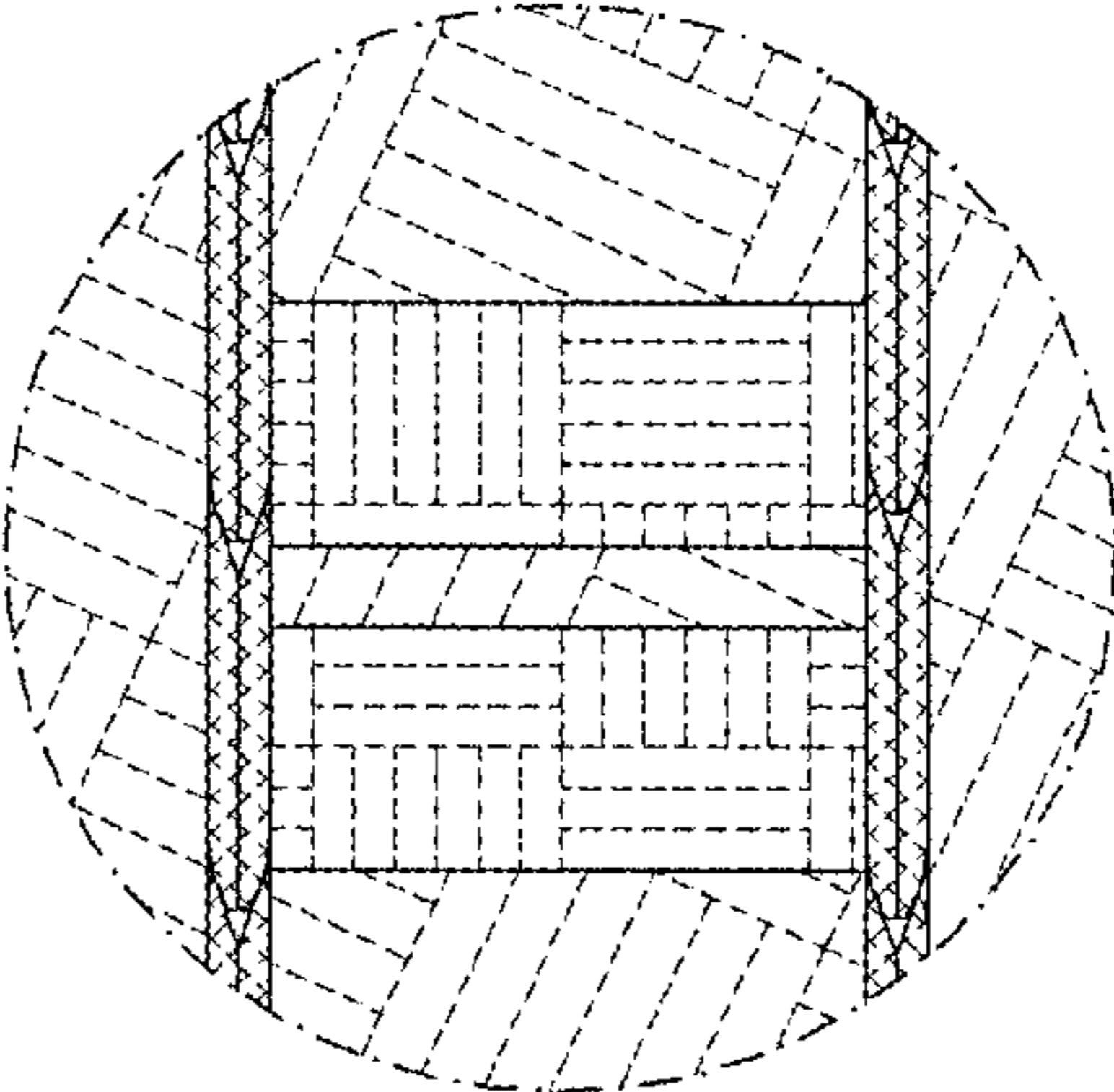


FIG. 5

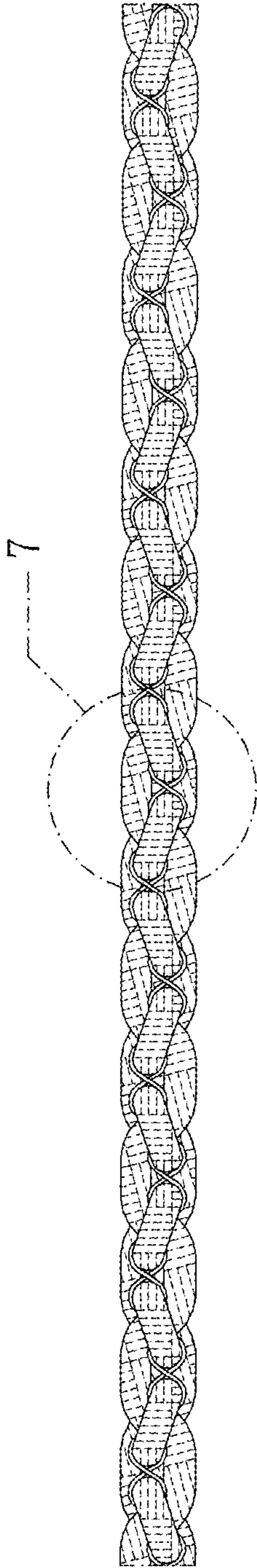


FIG. 6

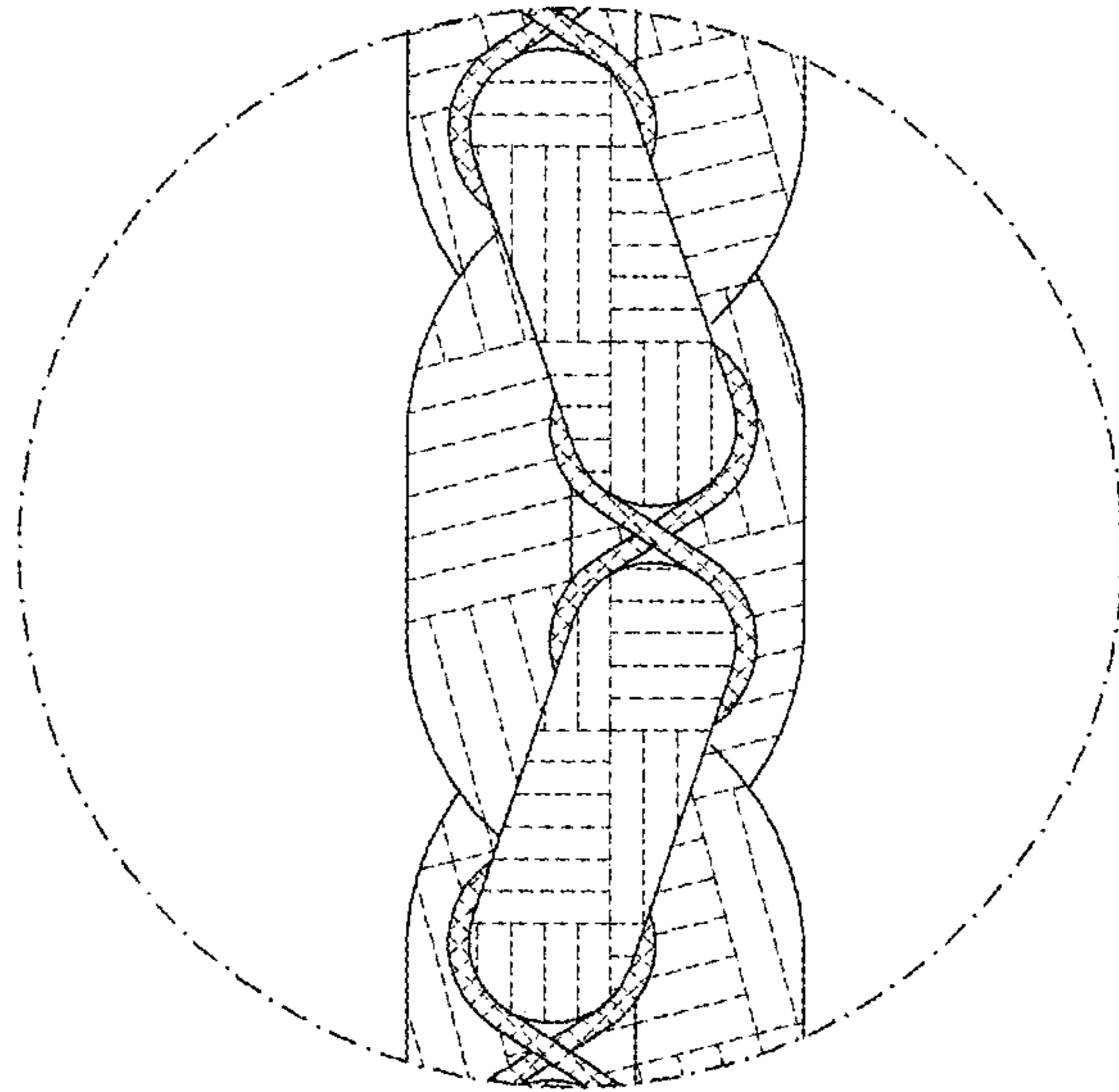


FIG. 7

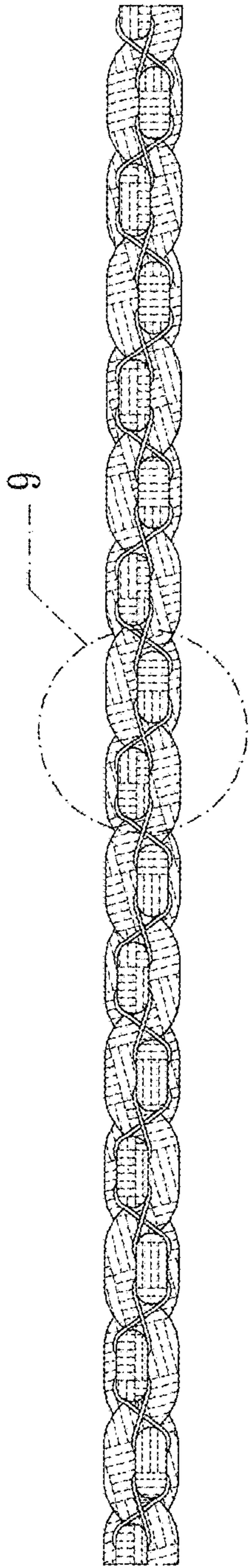


FIG. 8

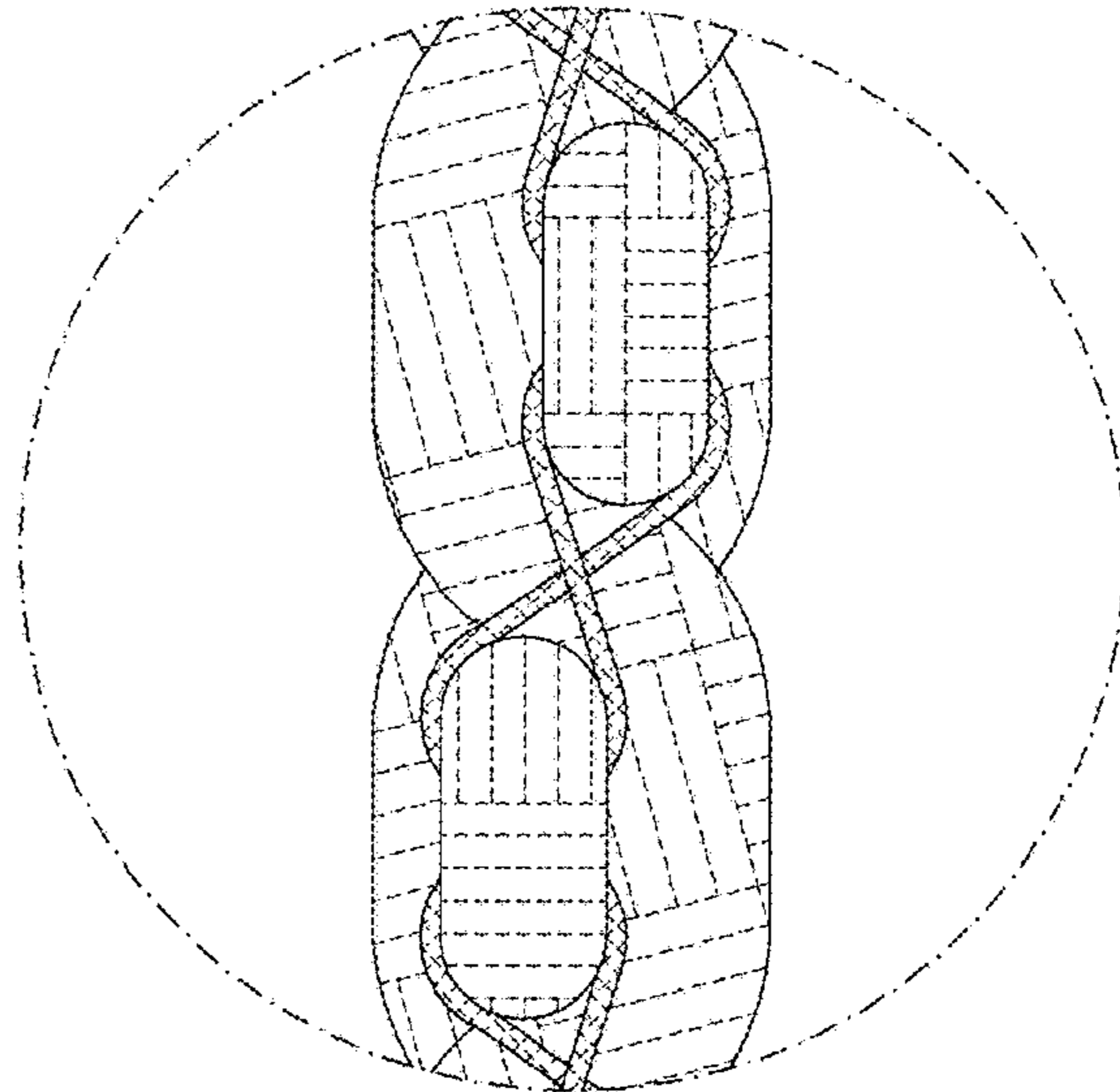


FIG. 9



FIG. 12

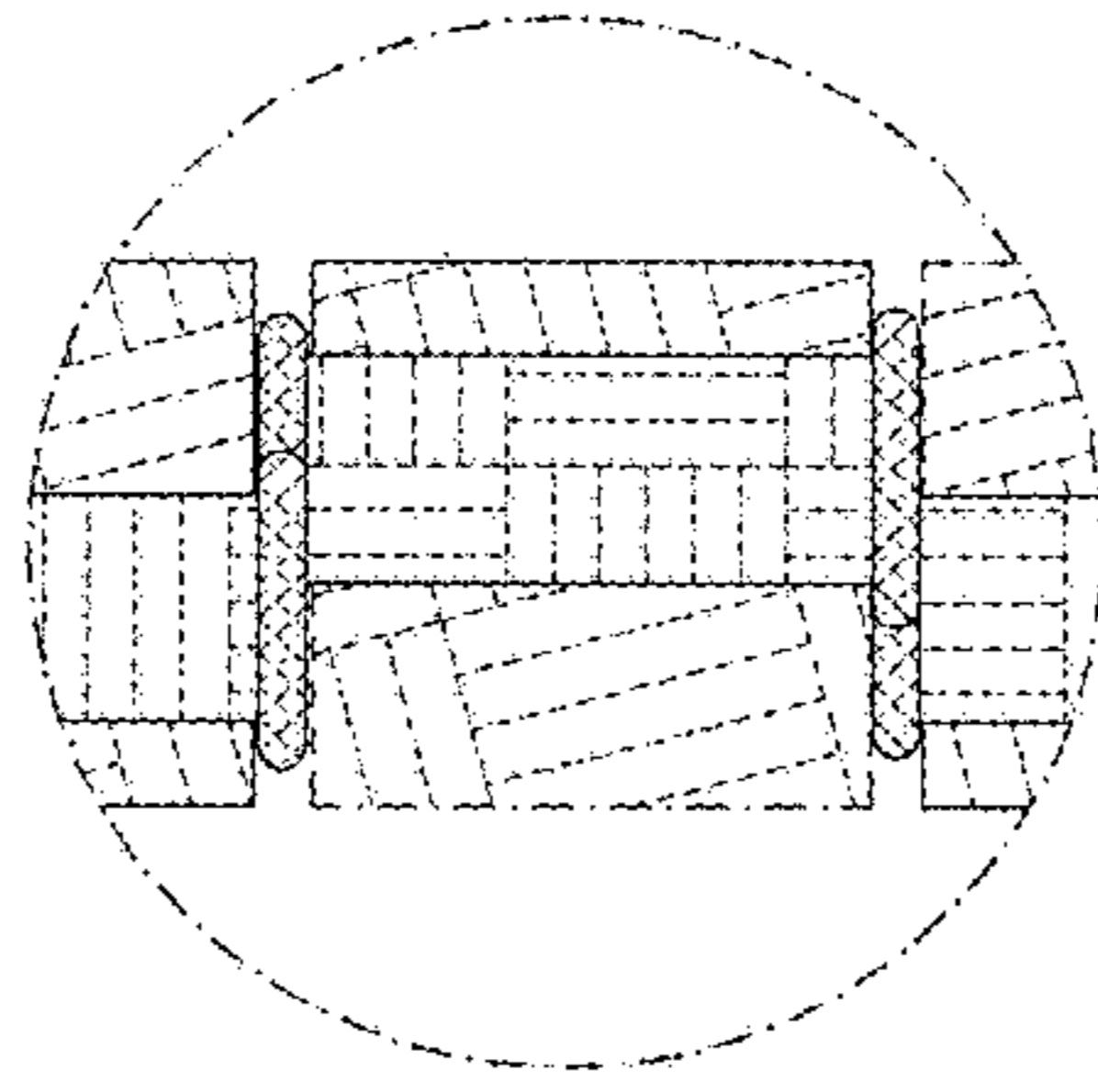


FIG. 11

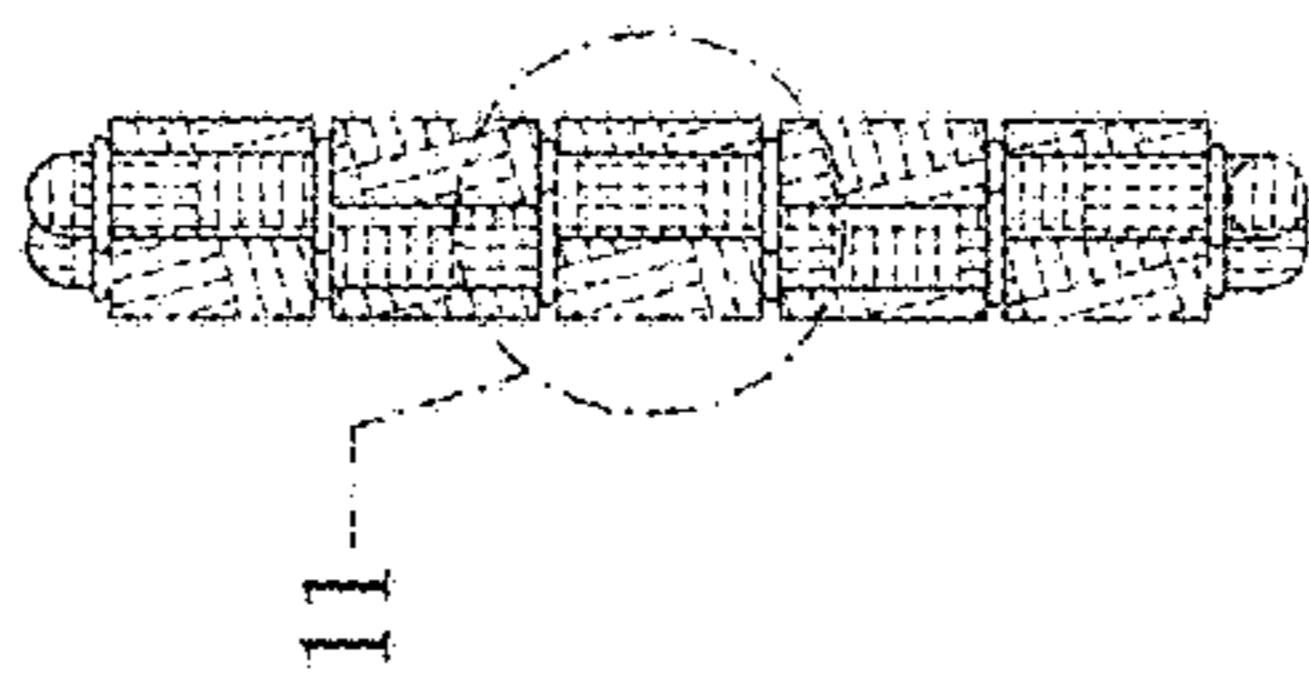


FIG. 10