



US00D795525S

(12) **United States Design Patent**
Cotten et al.

(10) **Patent No.: US D795,525 S**

(45) **Date of Patent: ** Aug. 29, 2017**

(54) **CONFECTION**

(71) Applicant: **INTERCONTINENTAL GREAT BRANDS LLC**, East Hanover, NJ (US)

(72) Inventors: **Gerald Cotten**, East Hanover, NJ (US); **Simon Gainey**, Media, PA (US); **Jess Keene**, Media, PA (US)

(73) Assignees: **INTERCONTINENTAL GREAT BRANDS LLC**, East Hanover, NJ (US); **COMPETITIVE INNOVATION LLC**, Media, PA (US)

(**) Term: **15 Years**

(21) Appl. No.: **29/558,246**

(22) Filed: **Mar. 16, 2016**

(51) **LOC (10) Cl.** **01-01**

(52) **U.S. Cl.**
USPC **D1/114**

(58) **Field of Classification Search**
USPC D1/100-130, 199; 426/5, 76, 87, 92, 94, 426/95, 99, 101, 103, 108, 138-139, 143,
(Continued)

(56) **References Cited**

U.S. PATENT DOCUMENTS

D290,412 S * 6/1987 Downs D24/101
D377,085 S * 12/1996 Tortarolo D24/101
(Continued)

FOREIGN PATENT DOCUMENTS

JP D1529960 S 7/2015

OTHER PUBLICATIONS

Notice of Reasons for Rejection; Japanese Design Registration Application No. 2016-019997; dated Mar. 30, 2017; 4 Pages.

(Continued)

Primary Examiner — Garth Rademaker

Assistant Examiner — Katie Stofko Mroczka

(74) *Attorney, Agent, or Firm* — Cantor Colburn LLP

(57) **CLAIM**

We claim, the ornamental design for a confection, as shown and described.

DESCRIPTION

FIG. 1 is a perspective view of a confection, showing a first embodiment of our new design;

FIG. 2 is a front elevation view of the embodiment shown in FIG. 1;

FIG. 3 is a back elevation view of the embodiment shown in FIG. 1;

FIG. 4 is a side elevation view of the embodiment shown in FIG. 1;

FIG. 5 is a another side elevation view of the embodiment shown in FIG. 1;

FIG. 6 is a top plan view of the embodiment shown in FIG. 1;

FIG. 7 is a bottom plan view of the embodiment shown in FIG. 1;

FIG. 8 is a perspective view of a confection, showing a second embodiment of our new design;

FIG. 9 is a front elevation view of the embodiment shown in FIG. 8;

FIG. 10 is a back elevation view of the embodiment shown in FIG. 8;

FIG. 11 is a side elevation view of the embodiment shown in FIG. 8;

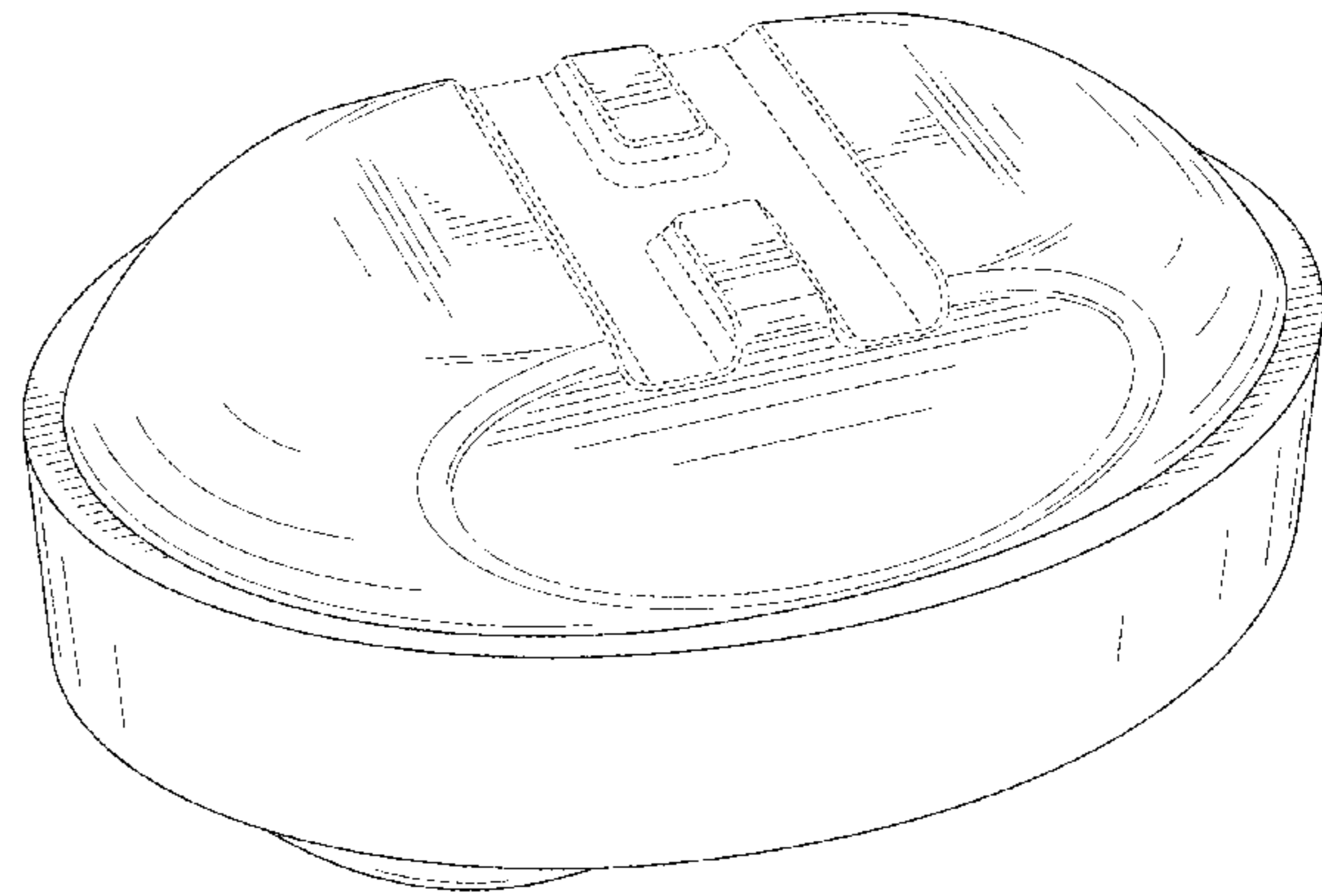
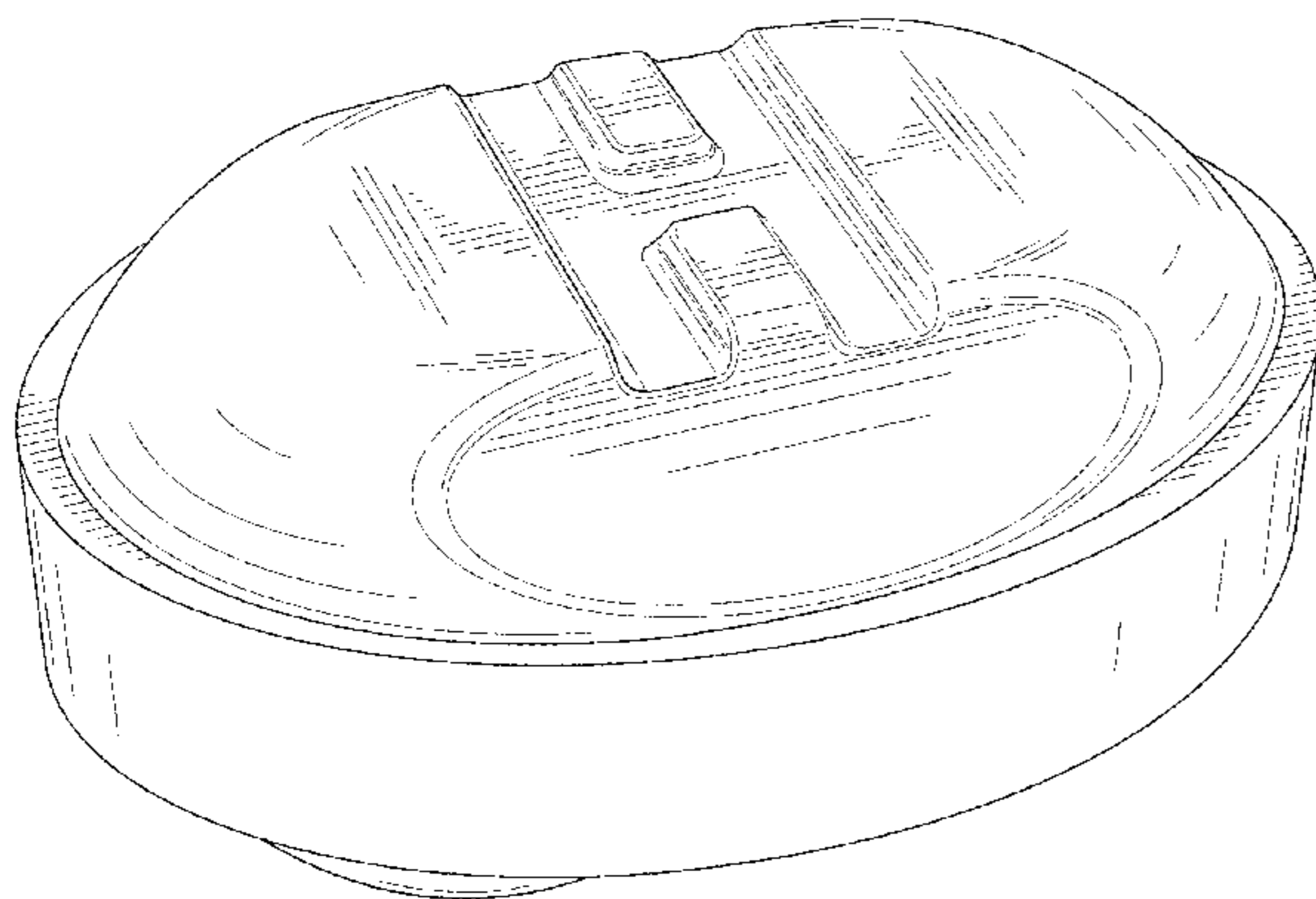
FIG. 12 is a another side elevation view of the embodiment shown in FIG. 8;

FIG. 13 is a top plan view of the embodiment shown in FIG. 8; and,

FIG. 14 is a bottom plan view of the embodiment shown in FIG. 8.

The broken lines in FIGS. 8-14 illustrate portions of the confection that form no part of the claimed design.

1 Claim, 8 Drawing Sheets



(58) **Field of Classification Search**

USPC 426/144, 279, 282, 283, 391, 514, 549,
426/660; D13/100; D24/101-104;
D28/8.1; 424/467; 425/195; 34/296;
D6/601

CPC .. A61K 9/2072; A61K 9/0004; A61K 9/2095;
A61K 9/209

See application file for complete search history.

(56) **References Cited**

U.S. PATENT DOCUMENTS

D434,846	S	*	12/2000	Chen	D24/102
D459,053	S	*	6/2002	Wolff	D1/127
D459,798	S	*	7/2002	Desesquelle	D24/101
D509,942	S	*	9/2005	Connolly	D1/127
D588,776	S	*	3/2009	Kanamoto	D1/101
D592,377	S	*	5/2009	Lee	D1/127
D666,376	S	*	9/2012	Correa	D1/114
D666,377	S	*	9/2012	Correa	D1/114
D744,191	S	*	12/2015	Cotten	D1/114
D745,242	S	*	12/2015	Cotten	D1/114
D754,841	S	*	4/2016	Waldman	D24/101

OTHER PUBLICATIONS

Notice of Reasons for Rejection; Japanese Design Registration
Application No. 2016-024600; dated Mar. 30, 2017; 4 Pages.

* cited by examiner

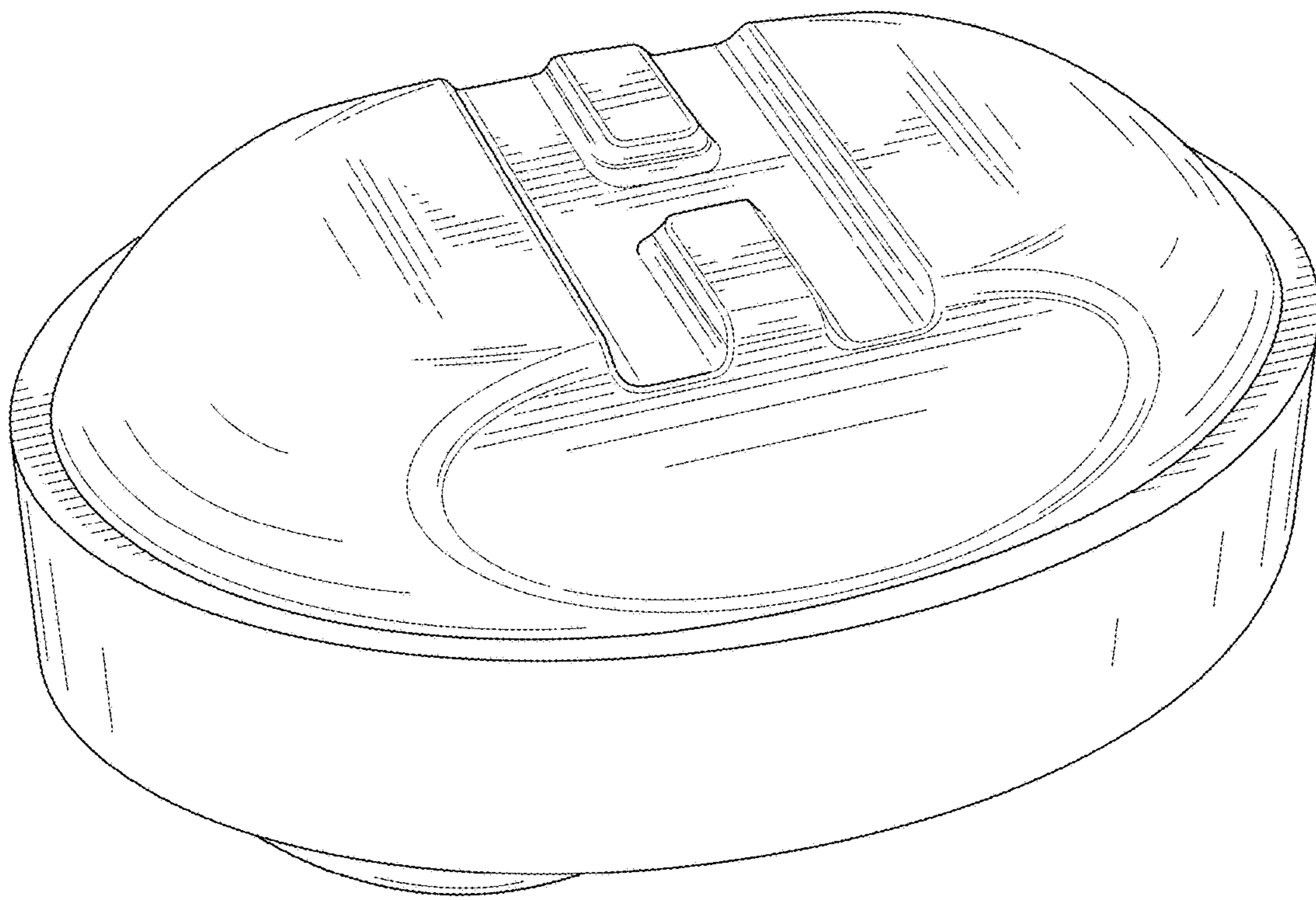


FIG. 1

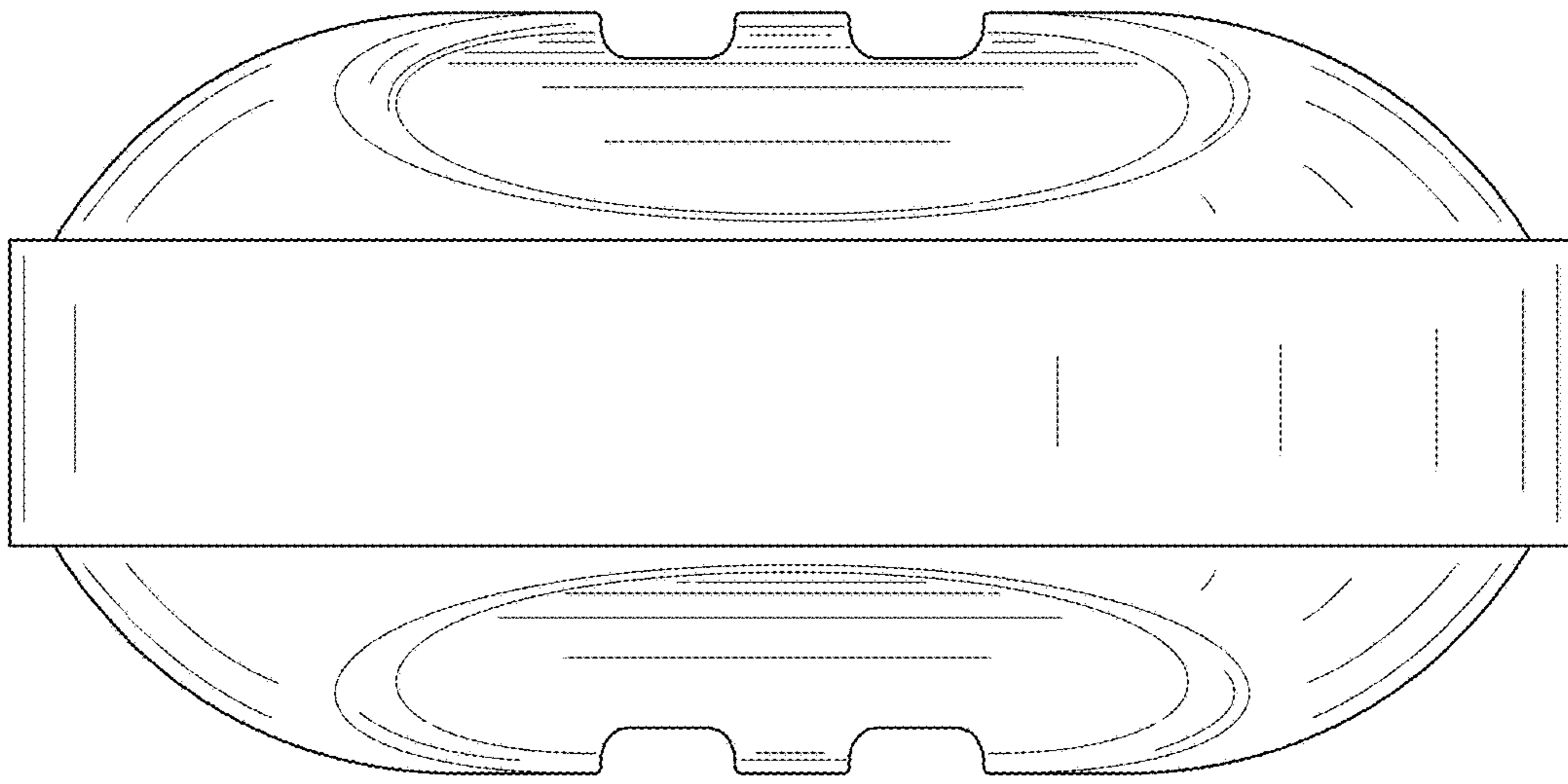


FIG. 2

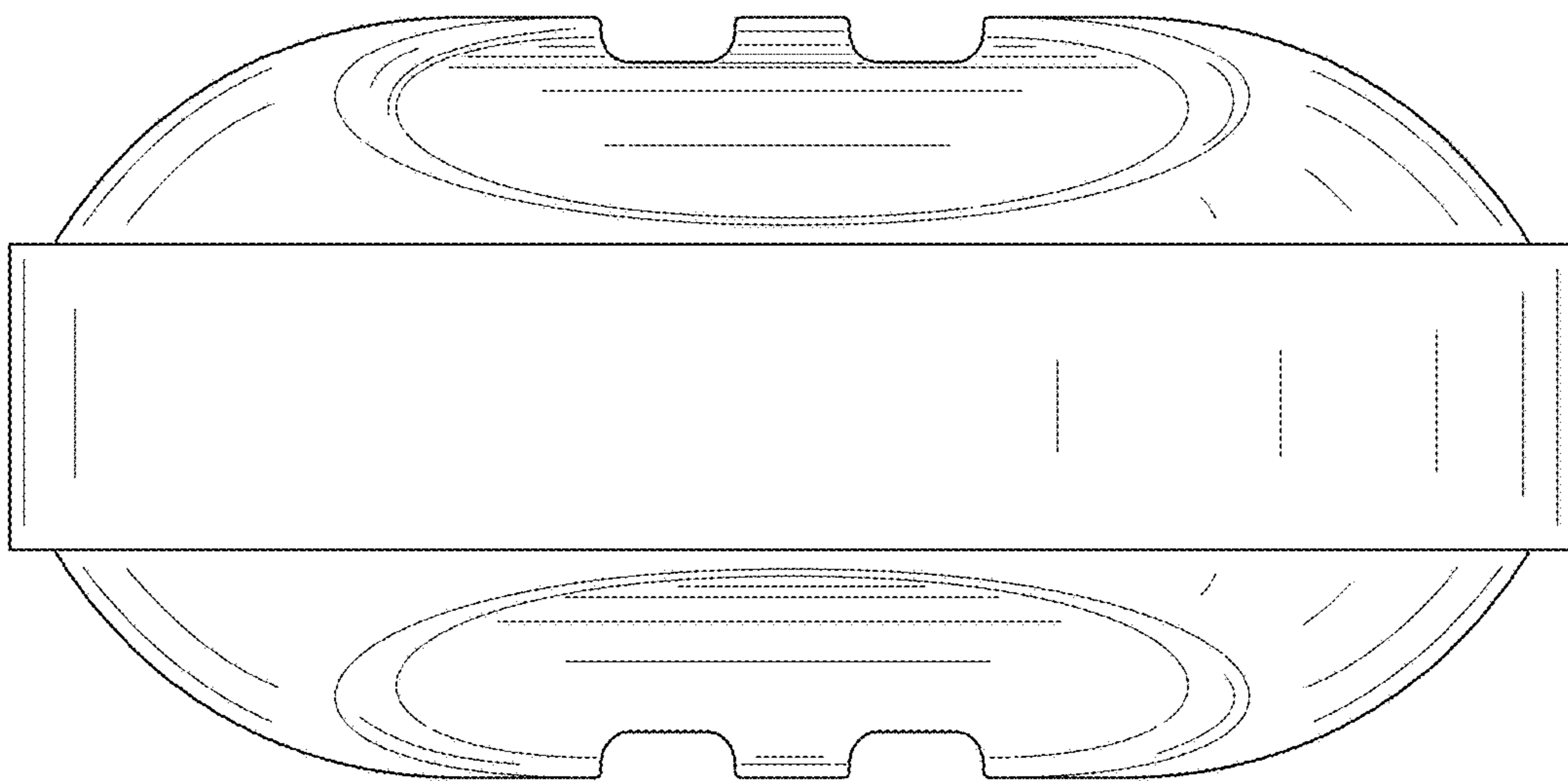


FIG. 3

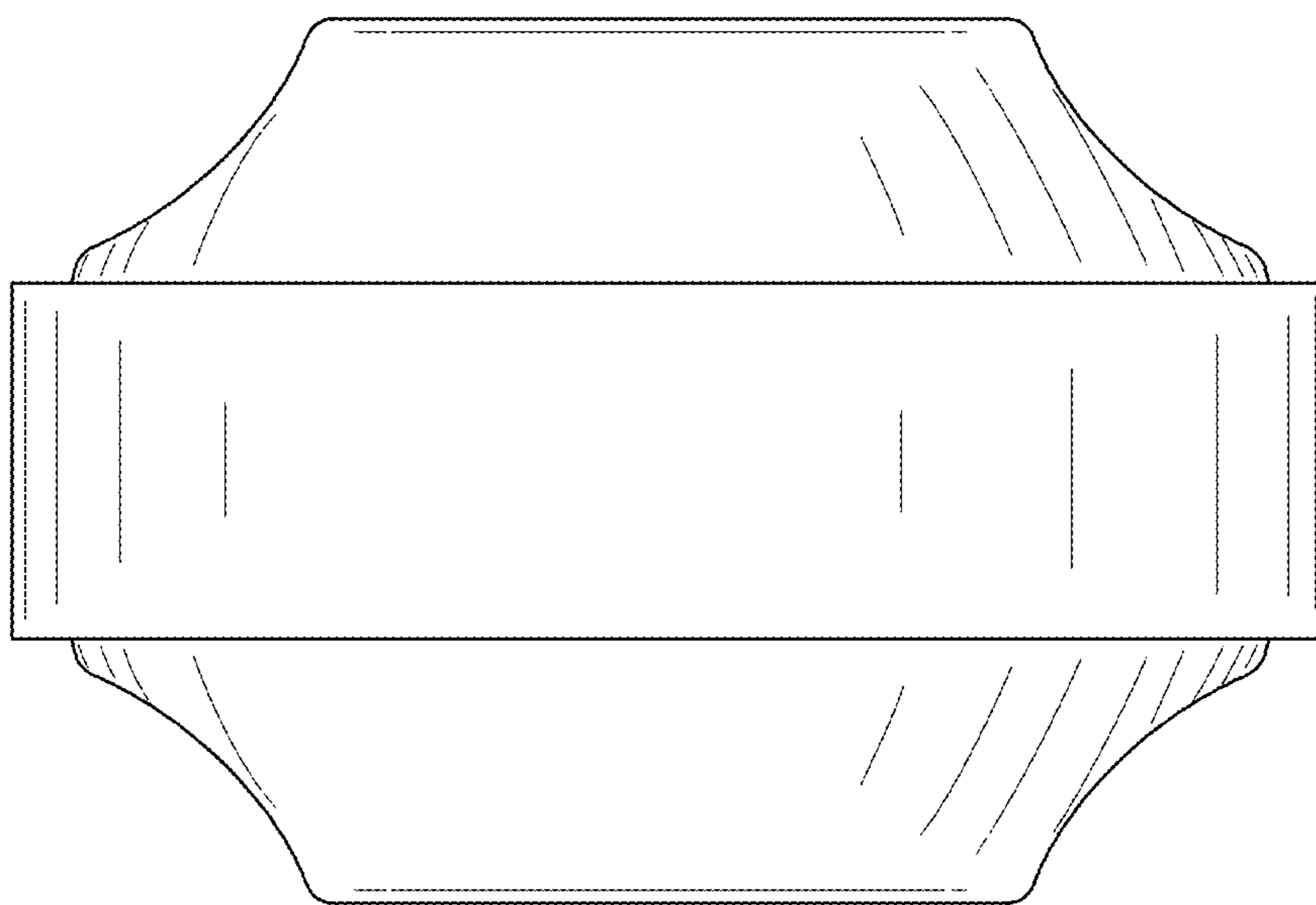


FIG. 4

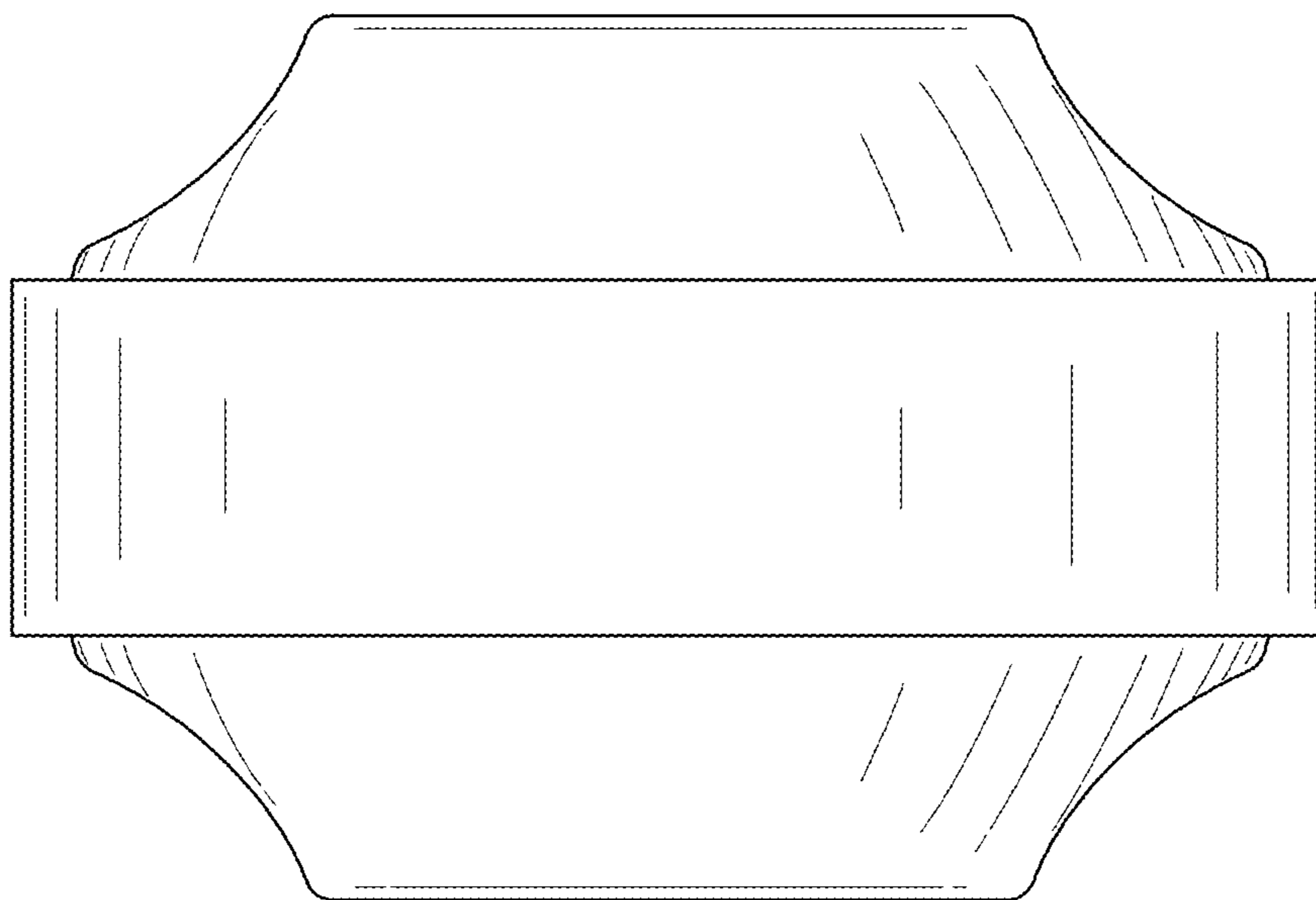


FIG. 5

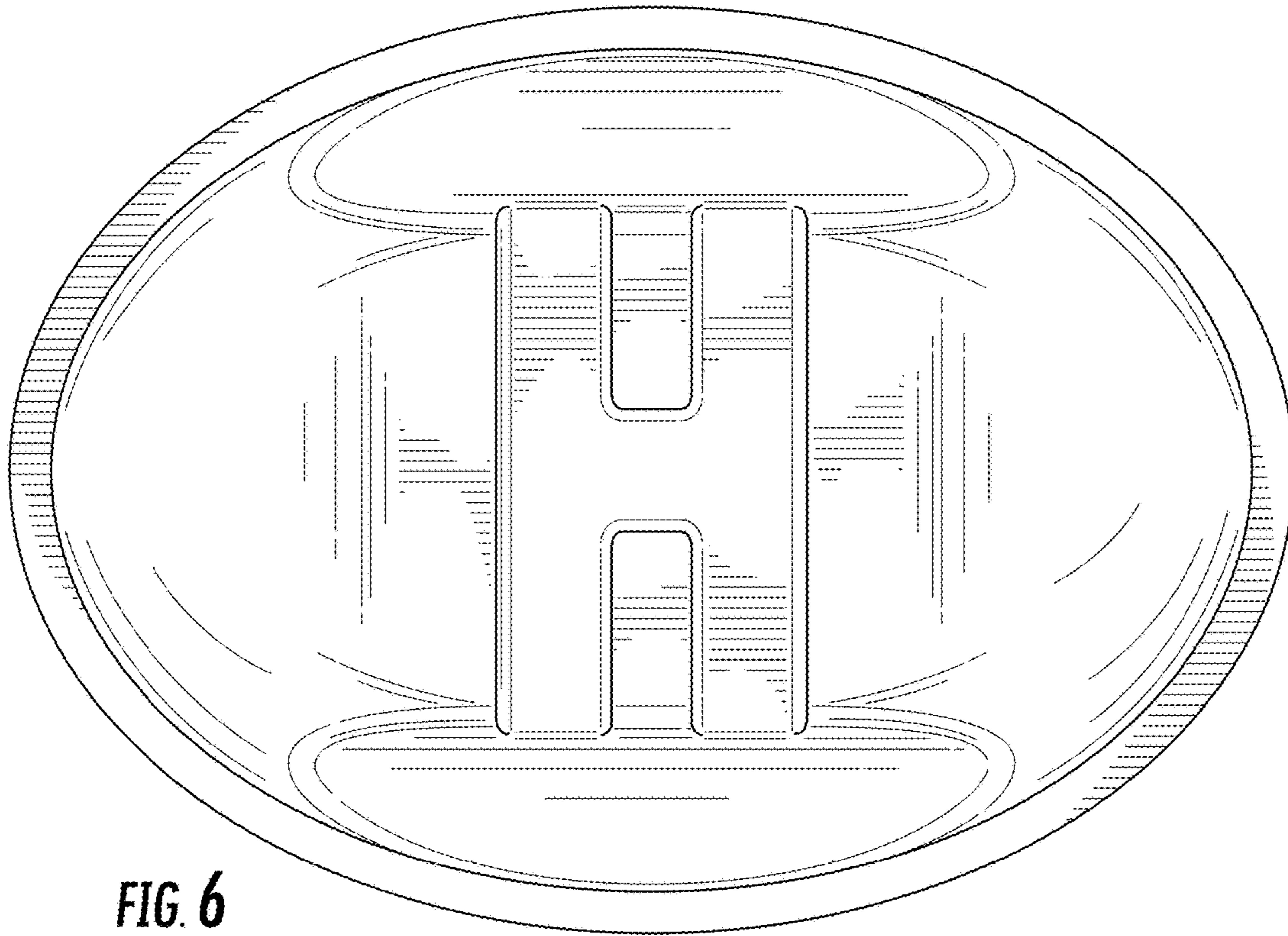


FIG. 6

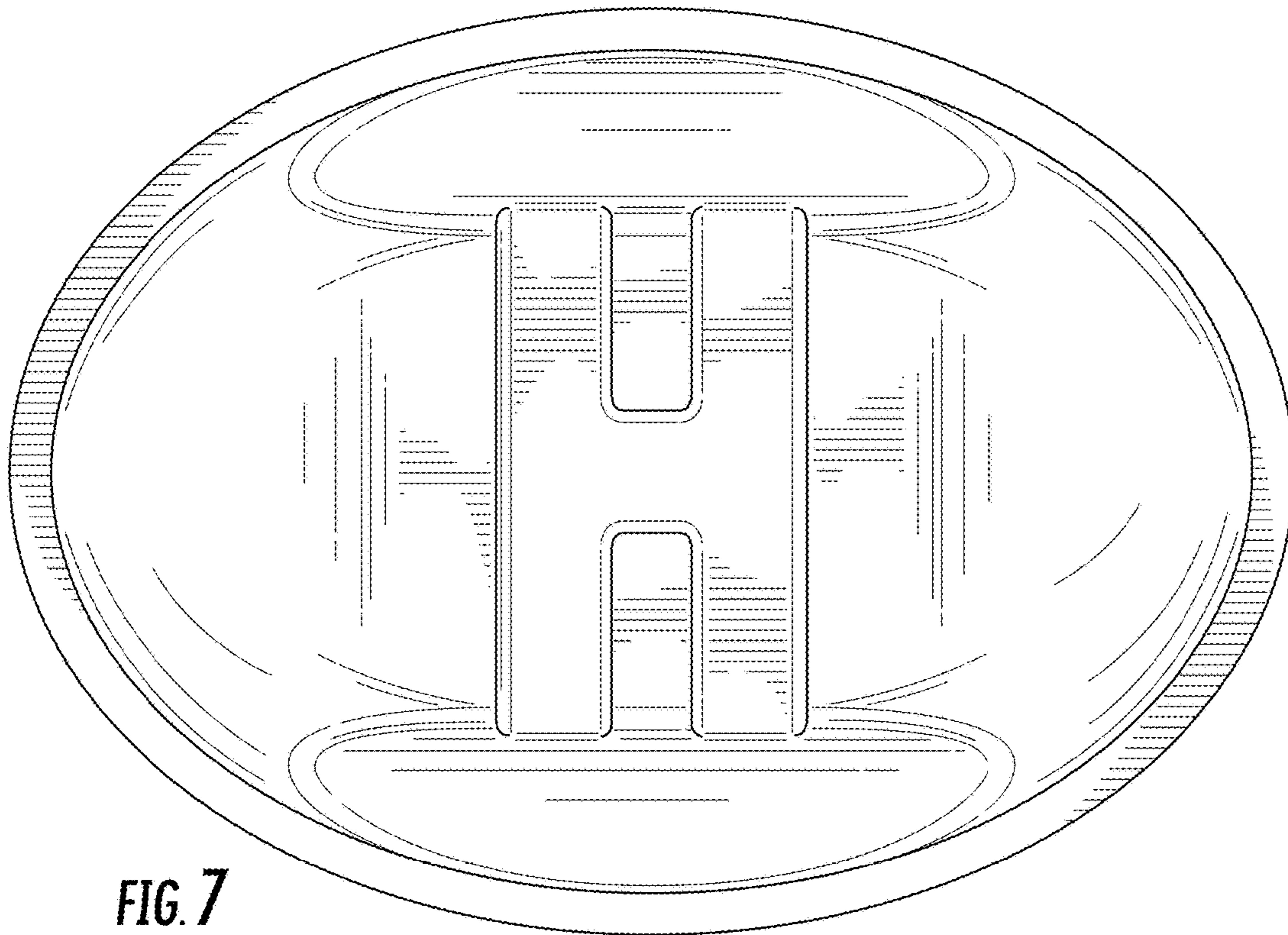


FIG. 7

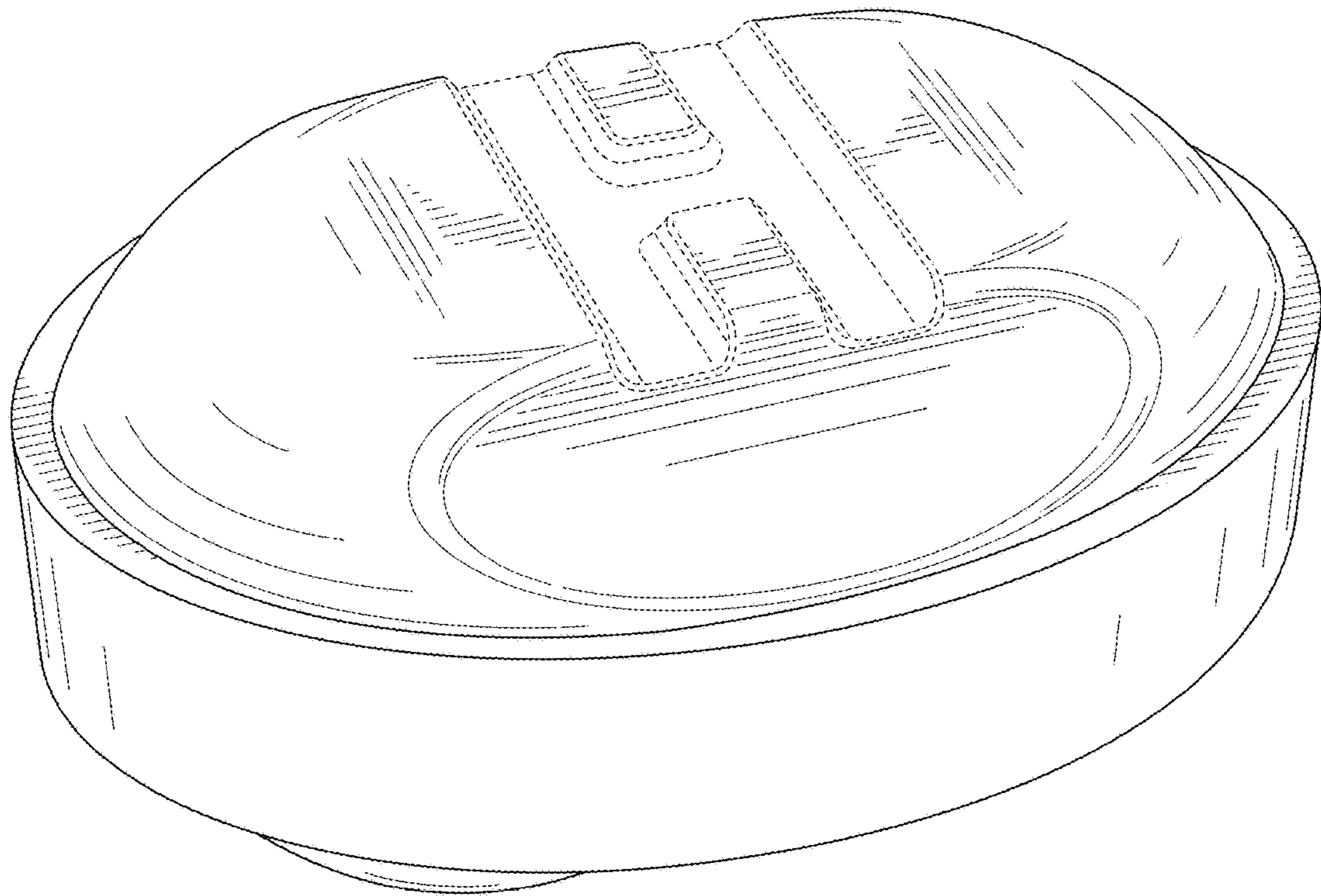


FIG. 8

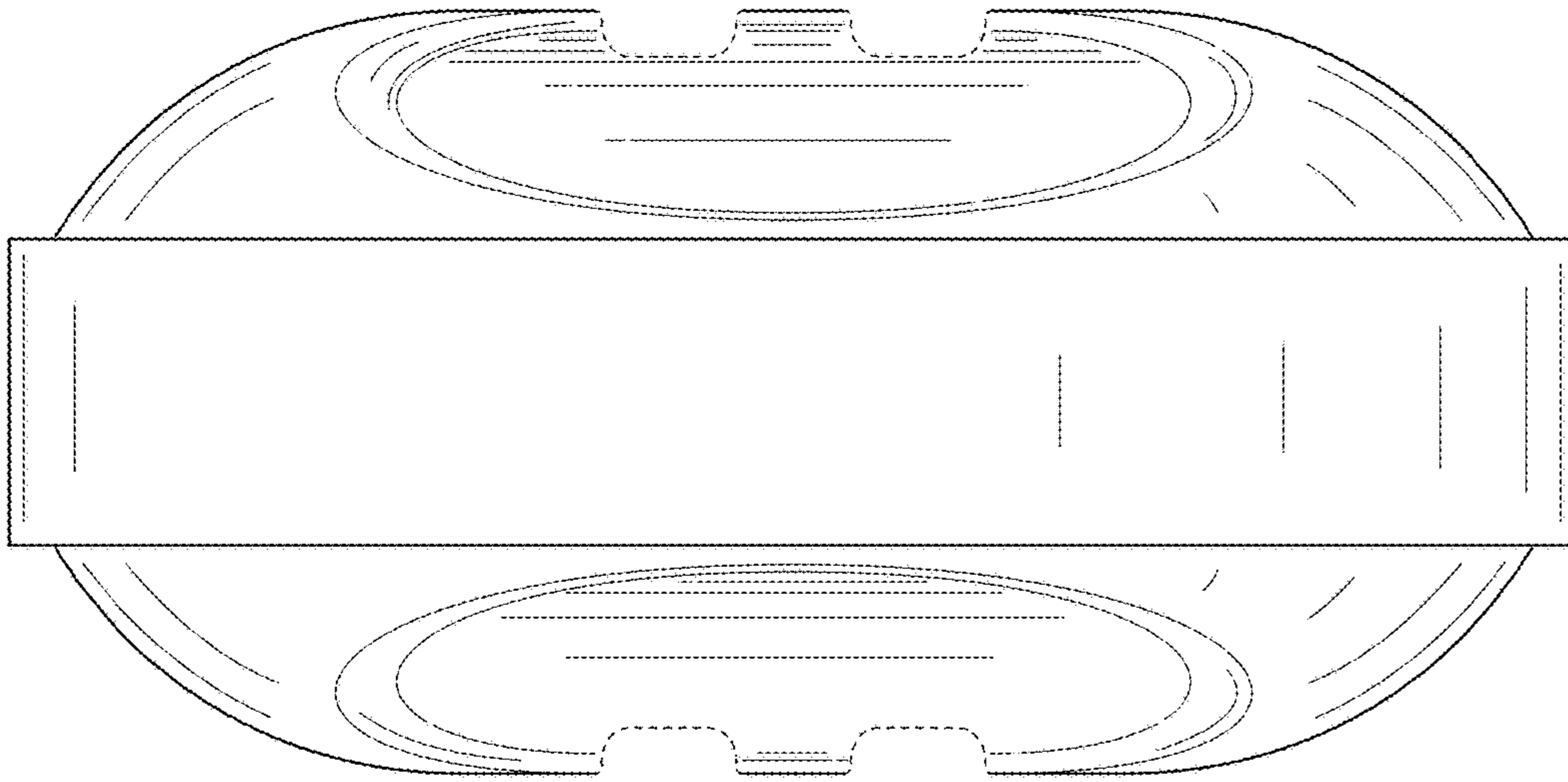


FIG. 9

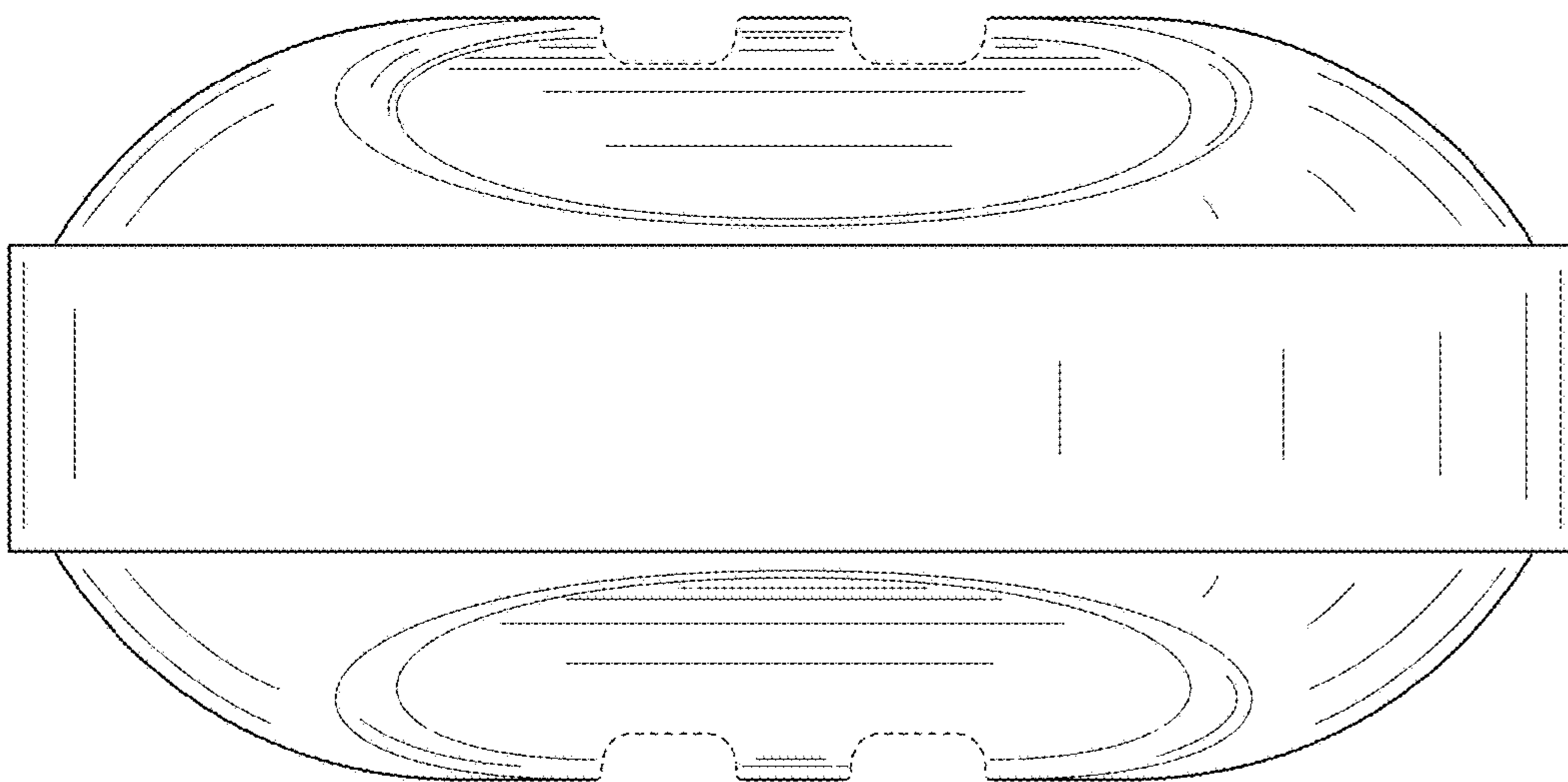


FIG. 10

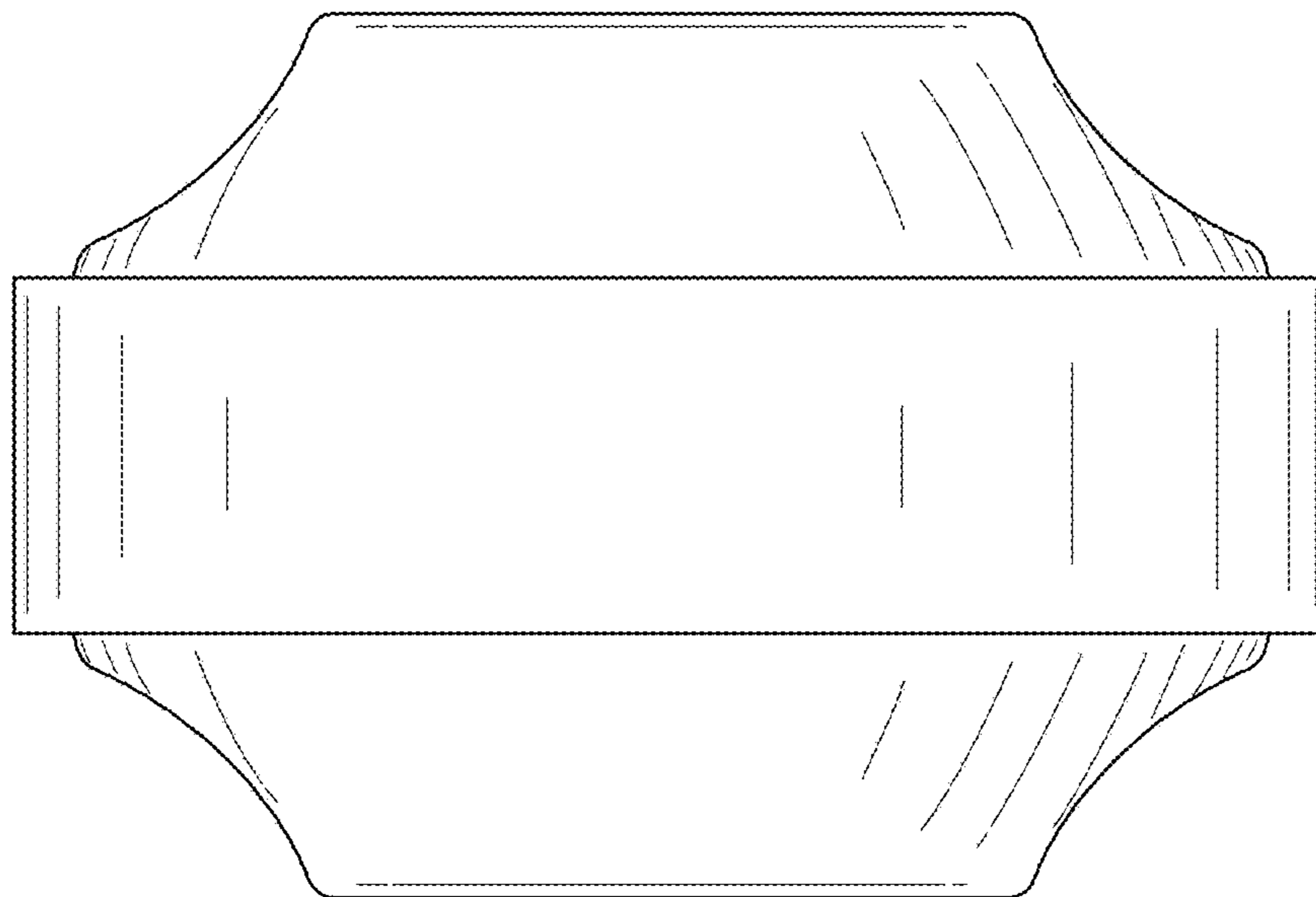


FIG. 11

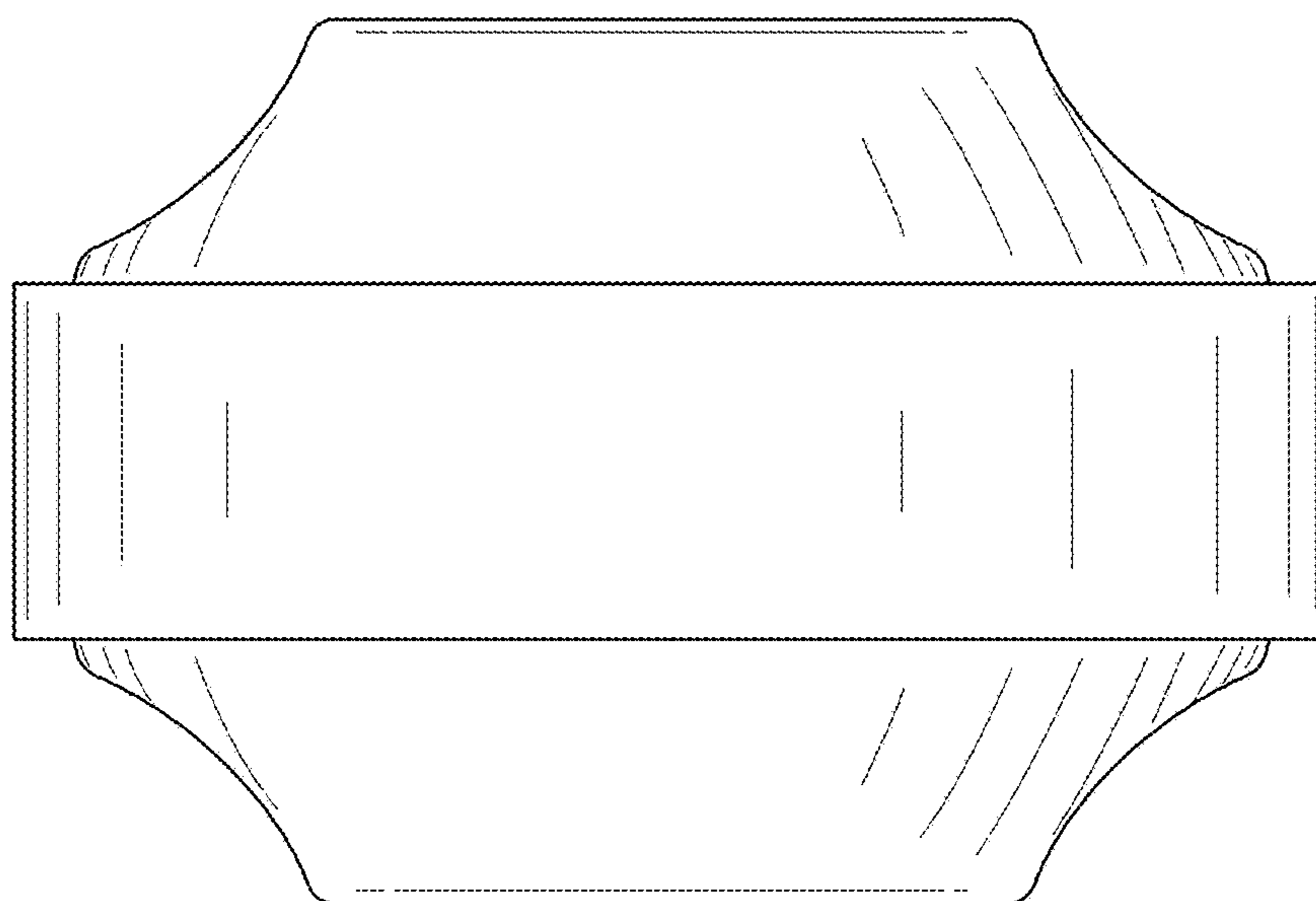


FIG. 12

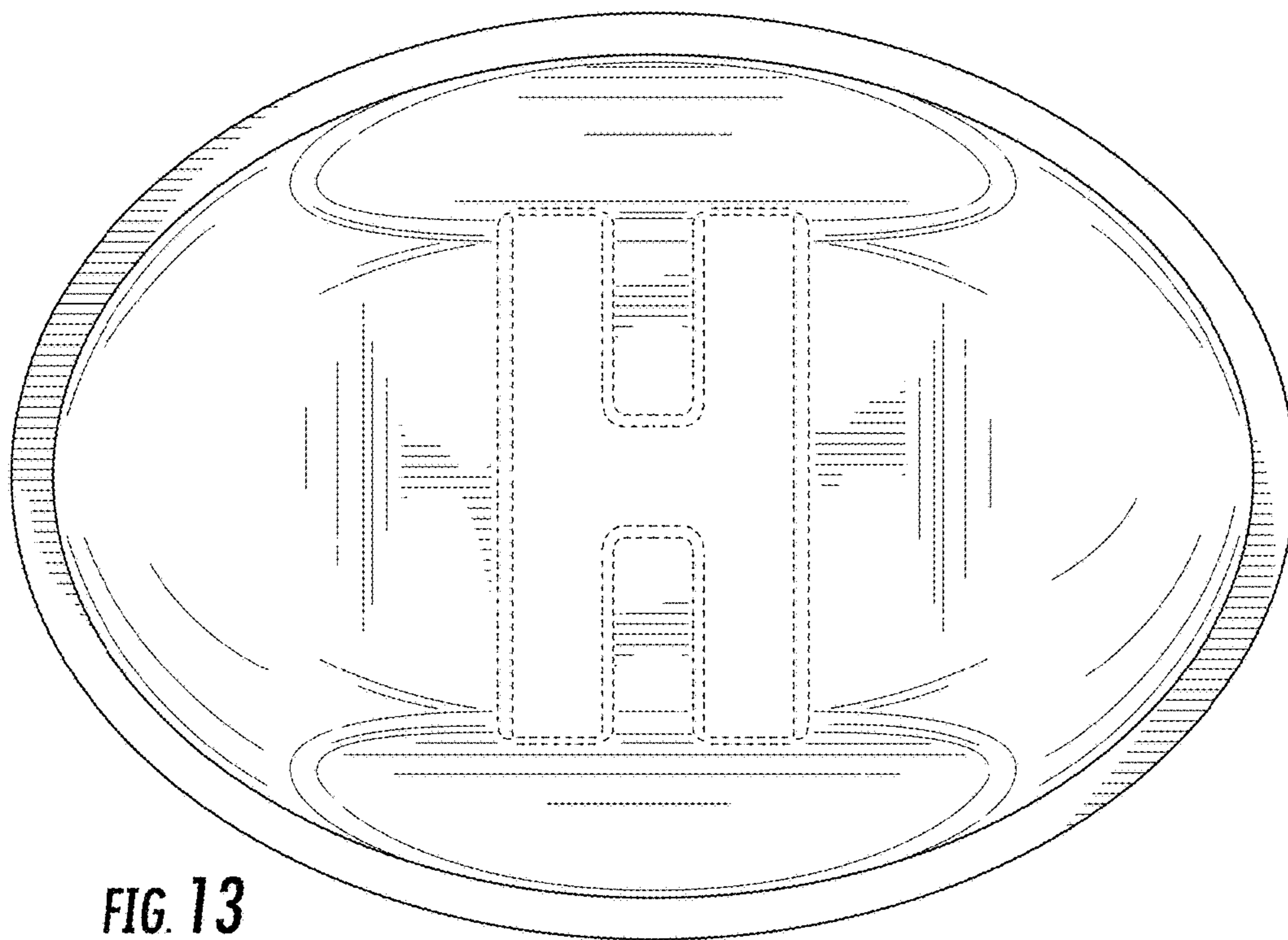


FIG. 13

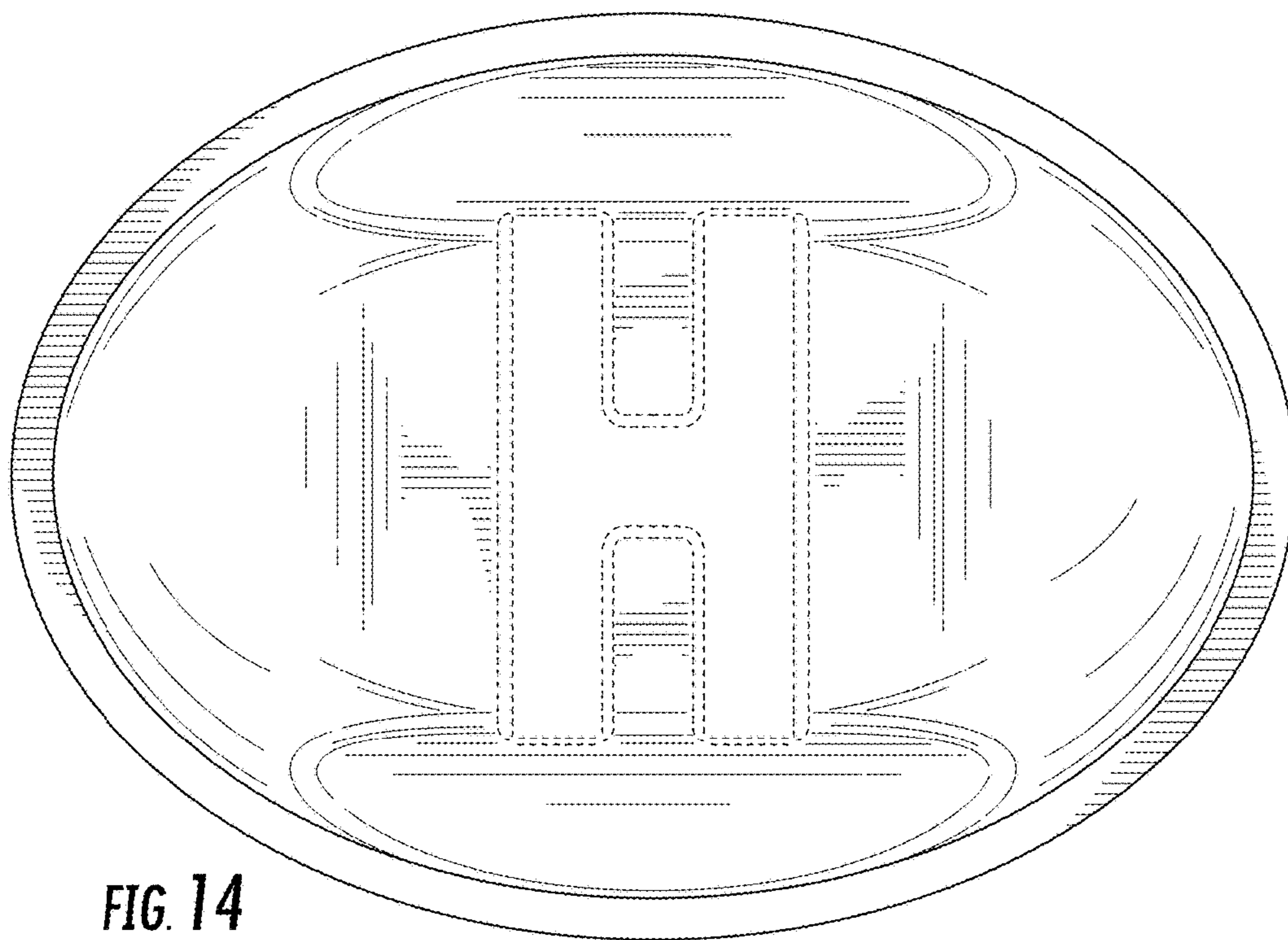


FIG. 14