



US00D795522S

(12) **United States Design Patent** (10) **Patent No.:** **US D795,522 S**
Rogers (45) **Date of Patent:** **** Aug. 22, 2017**

(54) **WINCH**
(71) Applicant: **Thomas W. Rogers**, Brentwood, TN (US)
(72) Inventor: **Thomas W. Rogers**, Brentwood, TN (US)
(**) Term: **15 Years**
(21) Appl. No.: **29/579,123**
(22) Filed: **Sep. 28, 2016**
(51) **LOC (10) Cl.** **12-05**
(52) **U.S. Cl.**
USPC **D34/33**
(58) **Field of Classification Search**
USPC D34/28, 31, 33; D15/7, 8, 9, 199;
254/316, 342, 344, 355, 356, 362, 372,
254/374, 380, 382, 901, 219, 350, 357;
242/255, 370, 394; 192/15, 71; D8/70
CPC ... B66D 1/14; B66D 1/38; B66D 1/28; B66D
1/04; B66D 1/22; B66D 1/39; B66D
1/7405; B66D 1/00; B66D 1/08; B66D
1/26; B66D 1/36; B66D 1/505; B66D
1/7484
See application file for complete search history.

(56) **References Cited**
U.S. PATENT DOCUMENTS
4,227,680 A * 10/1980 Hrescak B66D 1/22
254/344
5,002,259 A * 3/1991 Manning B66D 1/18
254/350
D438,358 S * 2/2001 Huang D34/33
D573,775 S * 7/2008 Burns D34/33
D596,369 S * 7/2009 Walstrom D34/33
D721,214 S * 1/2015 Trochum D34/33
D741,039 S * 10/2015 Huang D34/33

D748,446 S * 2/2016 Fretz D34/33
D775,448 S * 12/2016 Fretz D34/33
2010/0176236 A1 * 7/2010 Clute B60R 22/3413
242/394
2015/0284229 A1 * 10/2015 Hall B66D 1/14
254/362
2015/0284230 A1 * 10/2015 Hall B66D 5/32
254/356
2016/0068376 A1 * 3/2016 Fretz B66D 3/00
254/219
2016/0159624 A1 * 6/2016 Rodenburg B63B 35/68
254/323

* cited by examiner

Primary Examiner — Cynthia Ramirez
Assistant Examiner — Michael Maharajh
(74) *Attorney, Agent, or Firm* — Edward D. Lanquist, Jr.;
Patterson Intellectual Property Law, P.C.

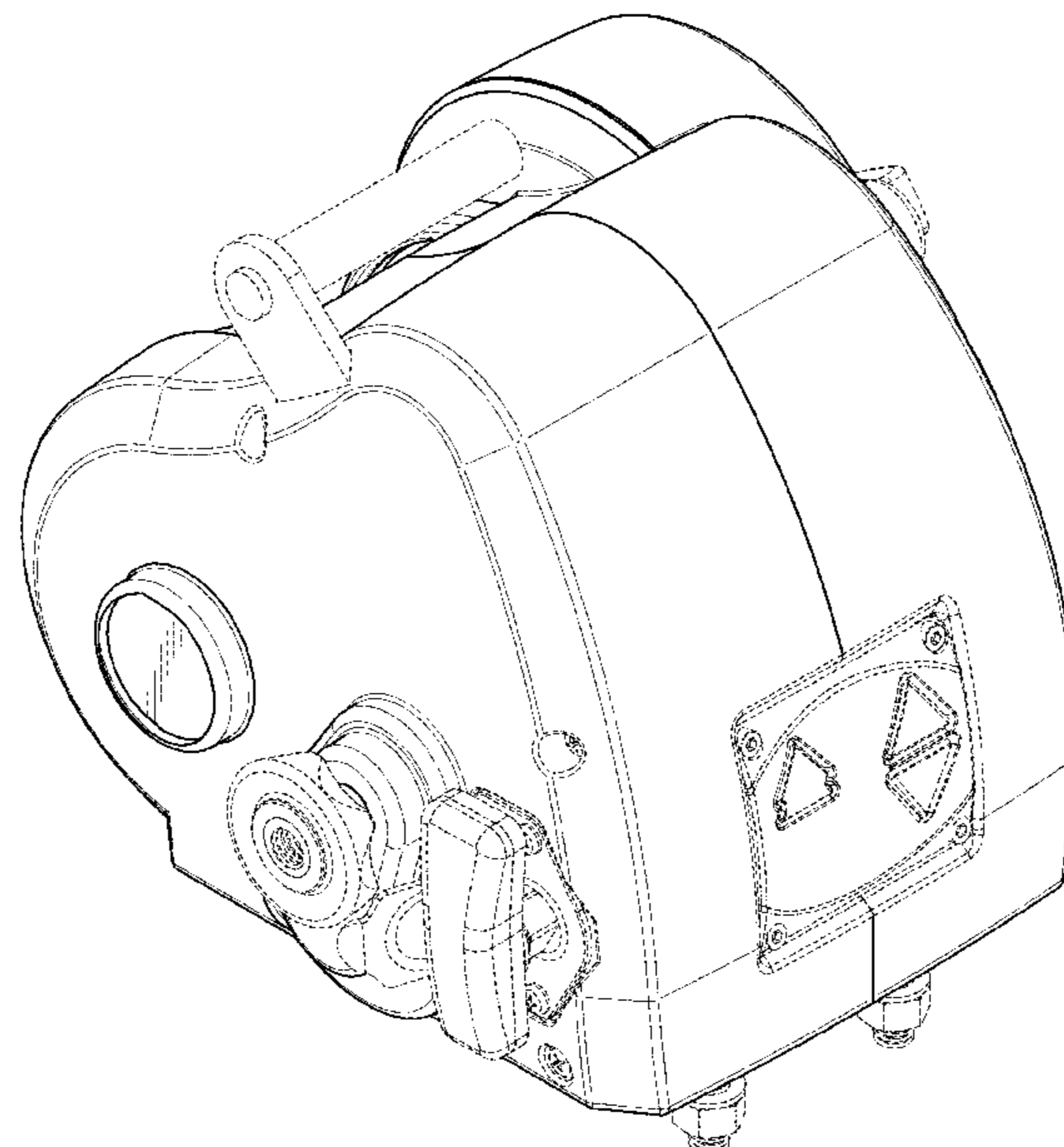
(57) **CLAIM**

The ornamental design for a winch, as shown and described.

DESCRIPTION

FIG. 1 is a top front perspective view of a winch, showing my new design;
FIG. 2 is a top back perspective view;
FIG. 3 is a bottom front perspective view;
FIG. 4 is a bottom back perspective view;
FIG. 5 is a front elevation view;
FIG. 6 is a back elevation view;
FIG. 7 is a left-side elevation view;
FIG. 8 is a right-side elevation view;
FIG. 9 is a top plan view; and,
FIG. 10 is a bottom plan view.
The broken lines shown in the figures are for the purpose of illustrating portions of the winch and form no part of the claimed design.

1 Claim, 10 Drawing Sheets



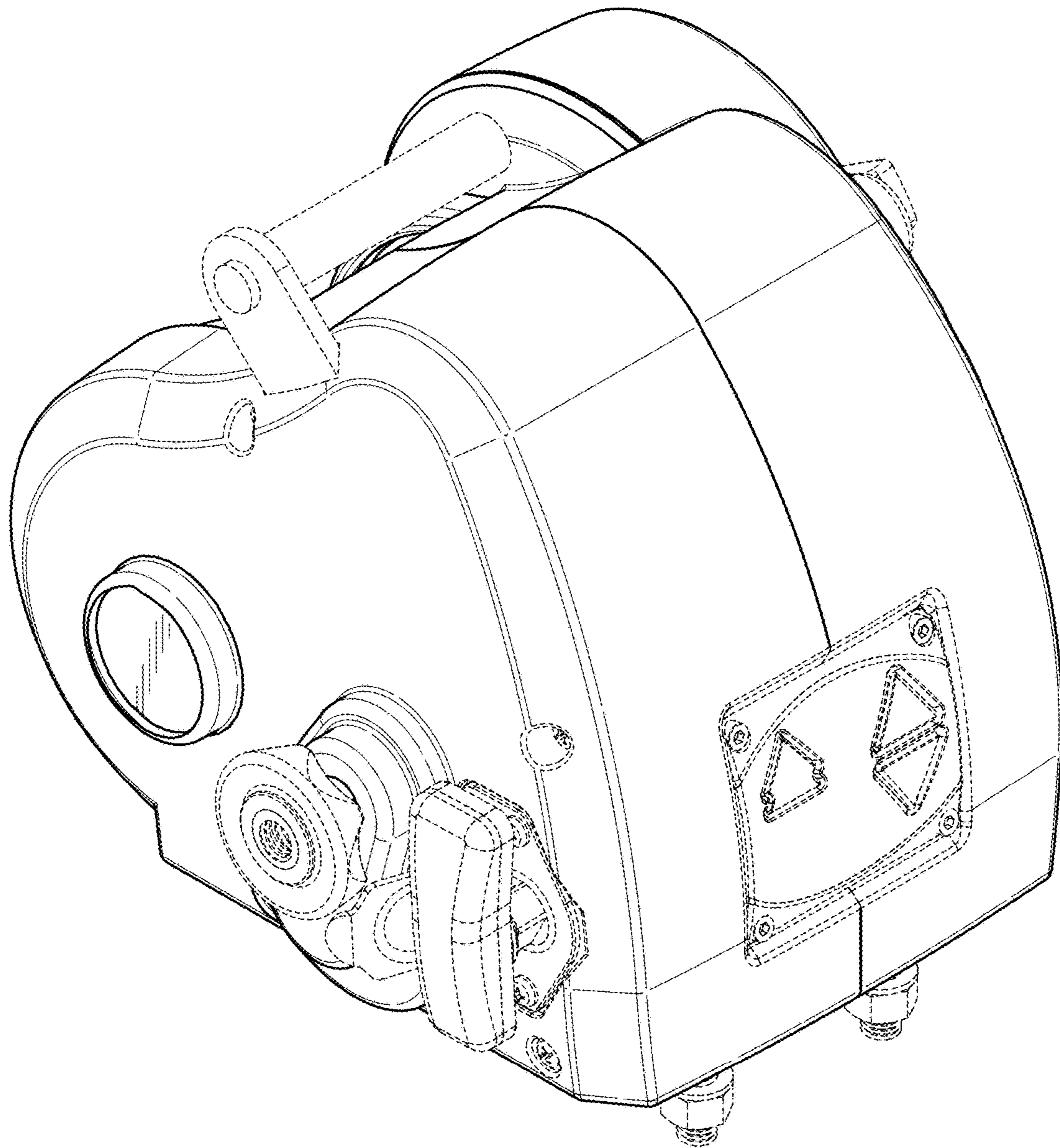


FIG. 1

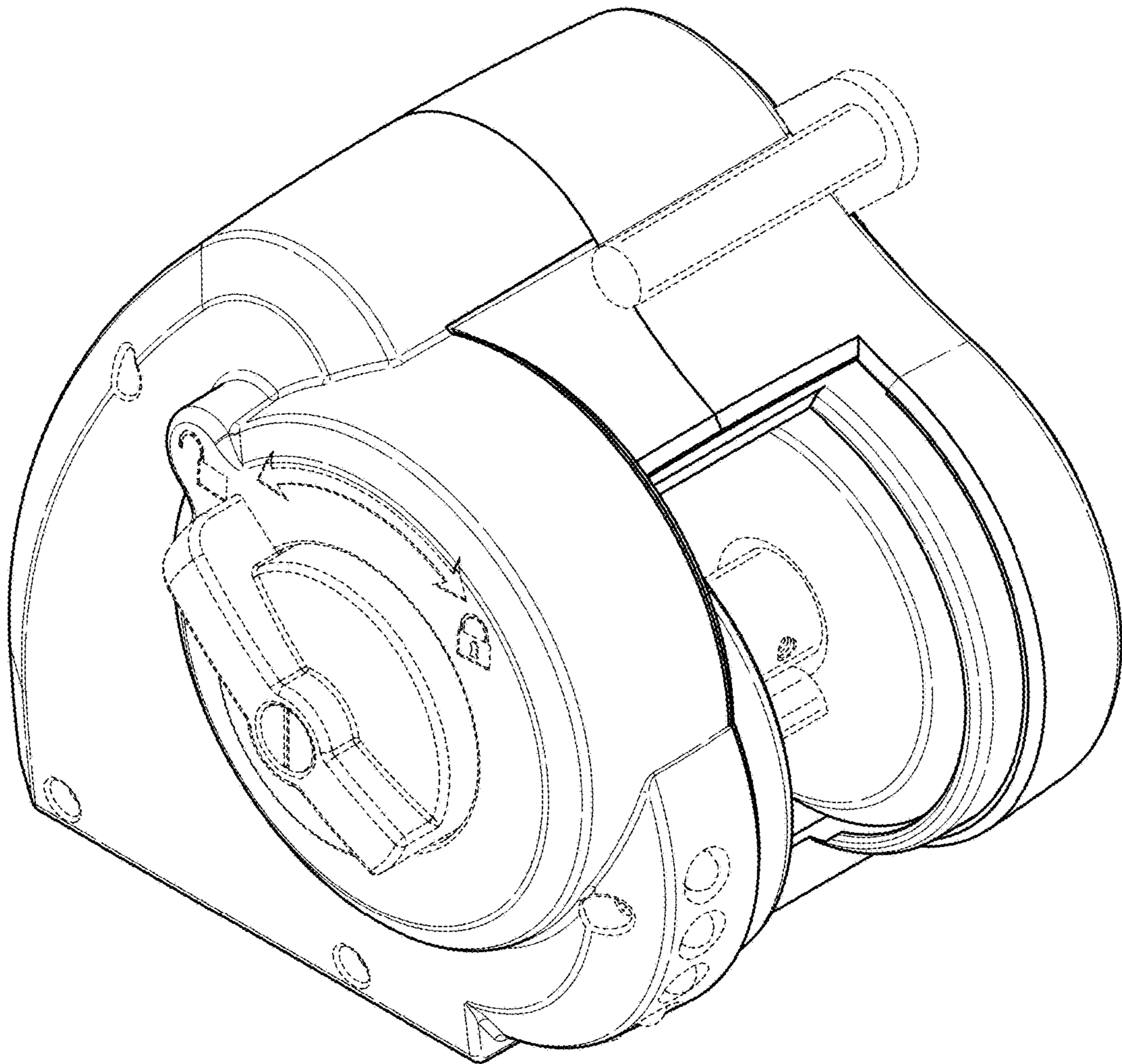


FIG. 2

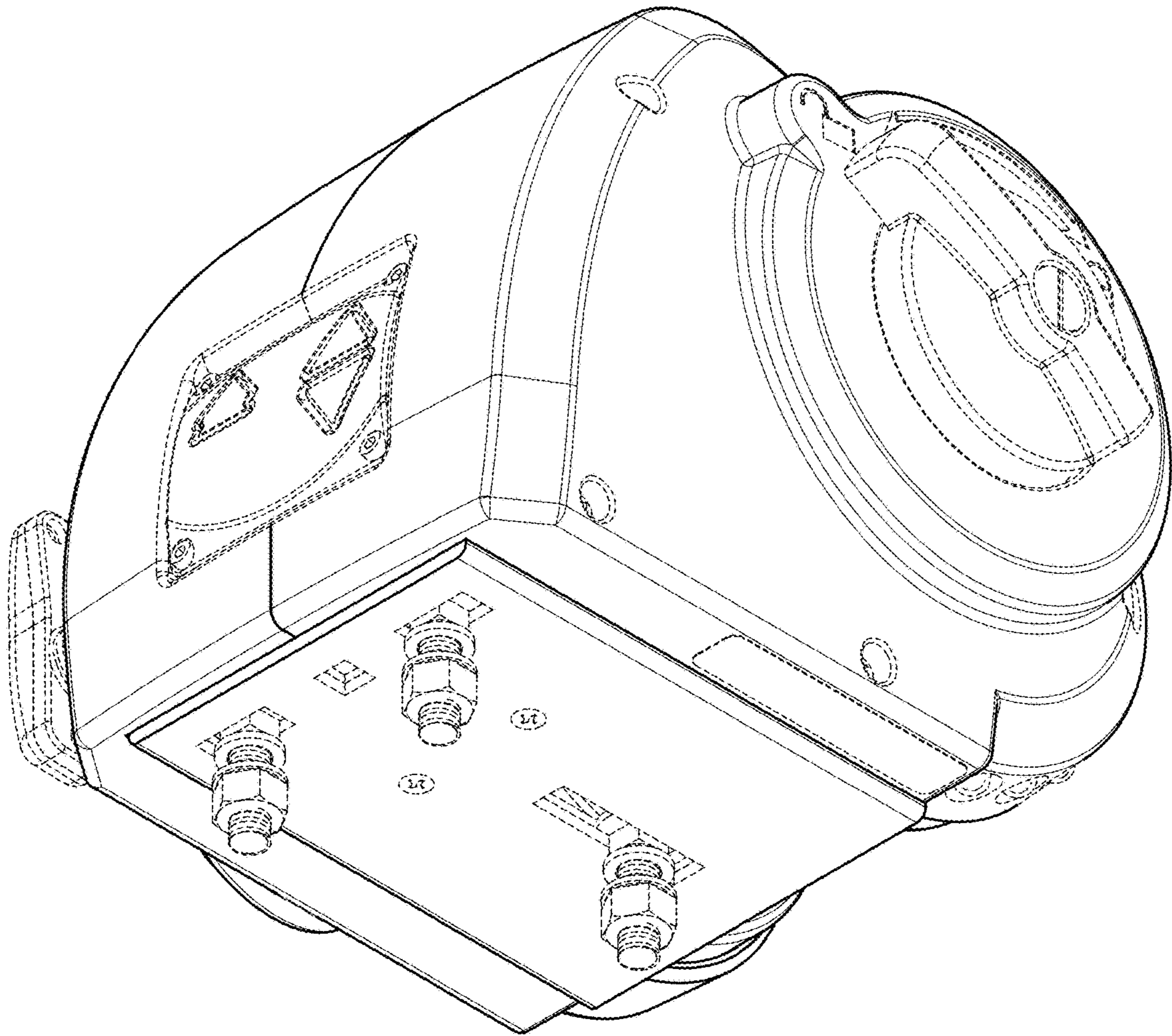


FIG. 3

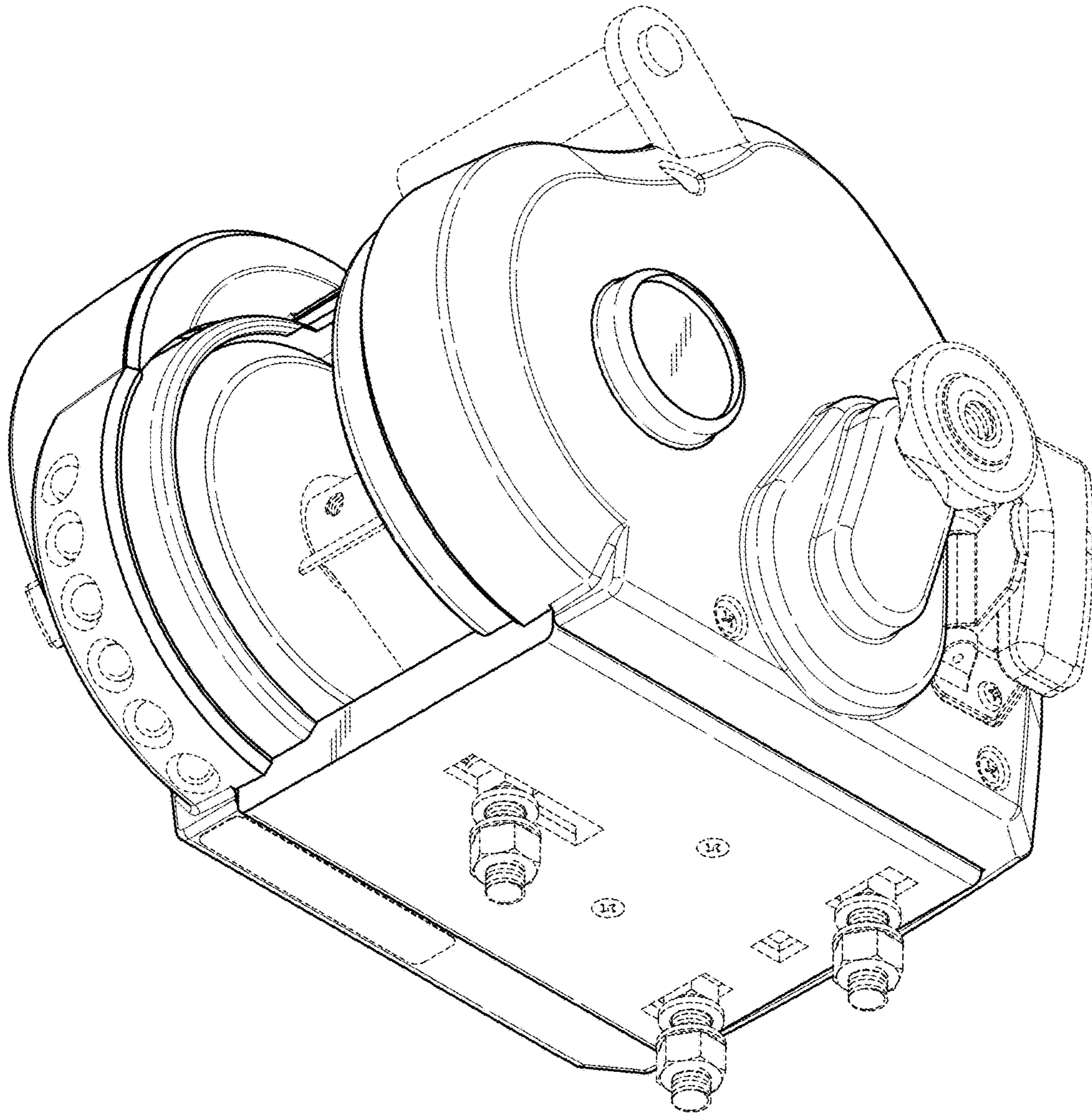


FIG. 4

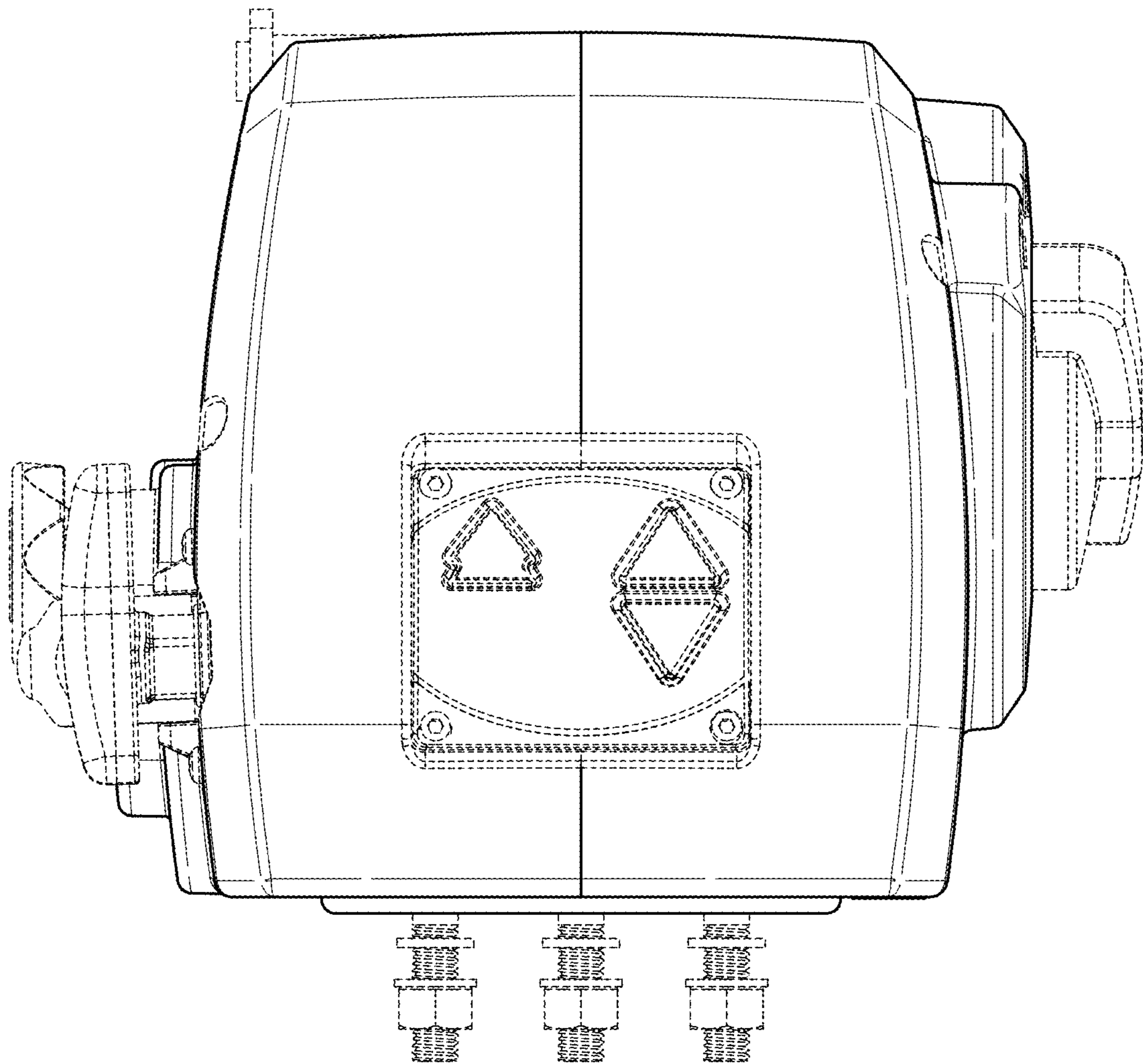


FIG. 5

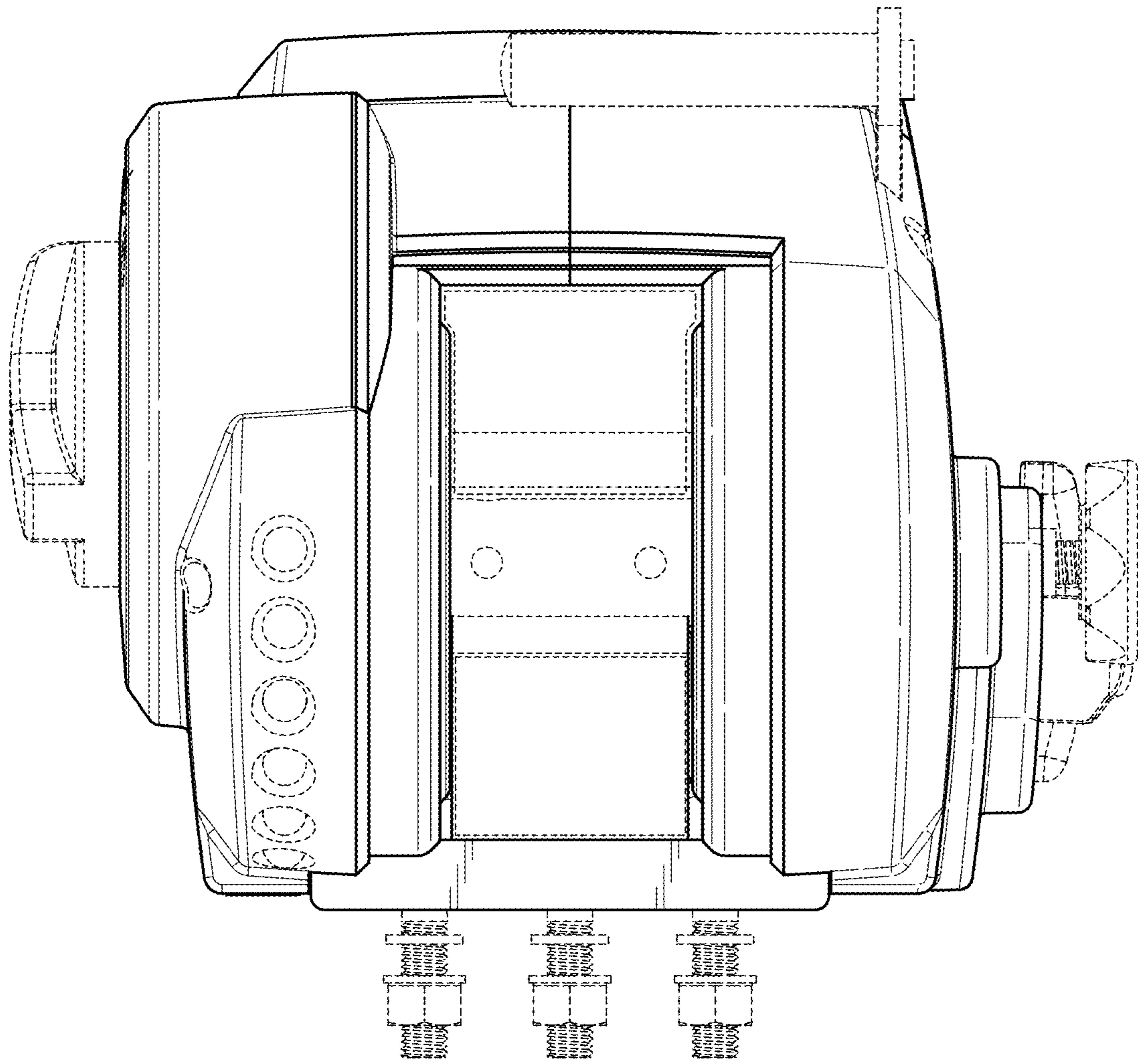


FIG. 6

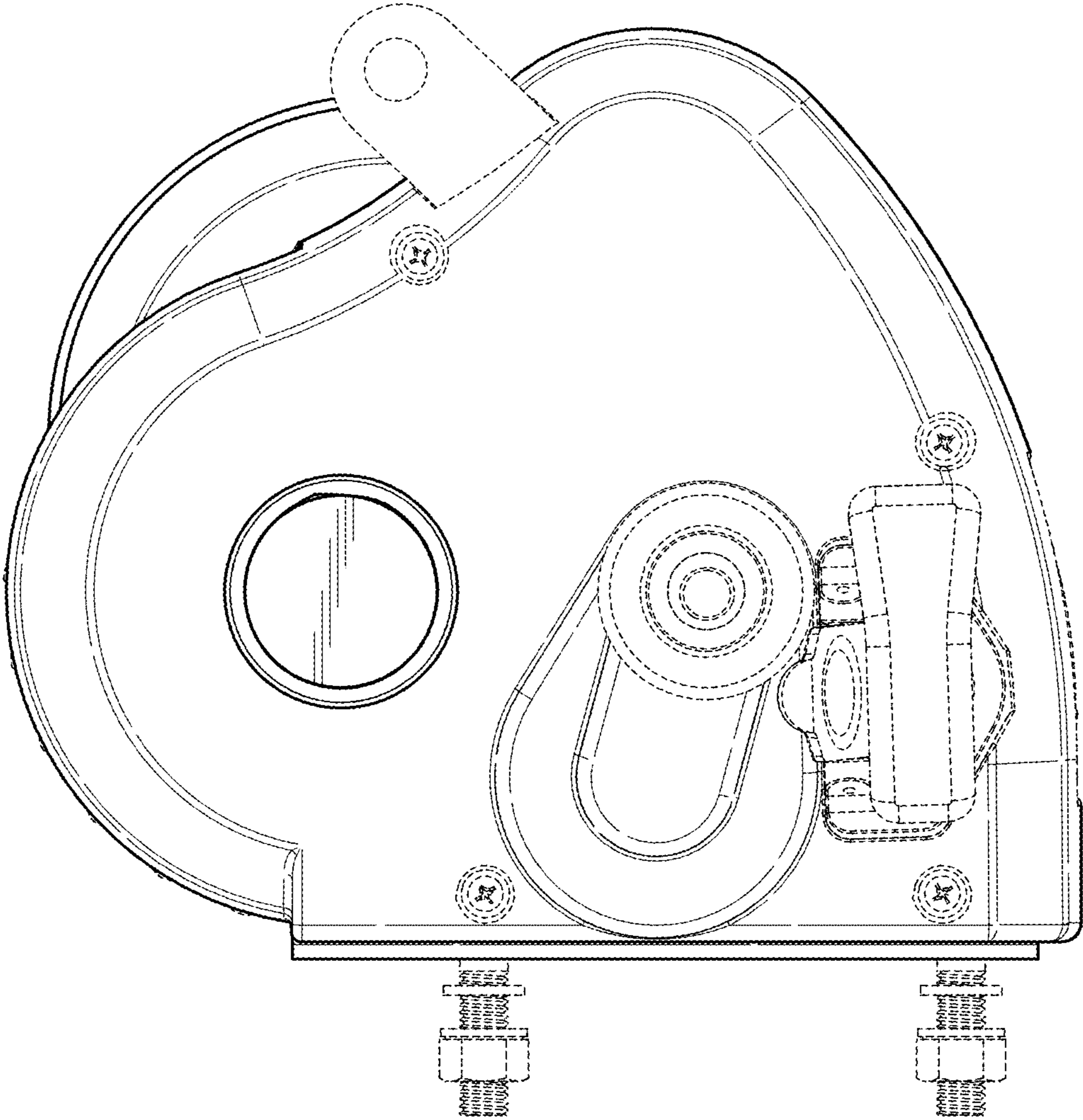


FIG. 7

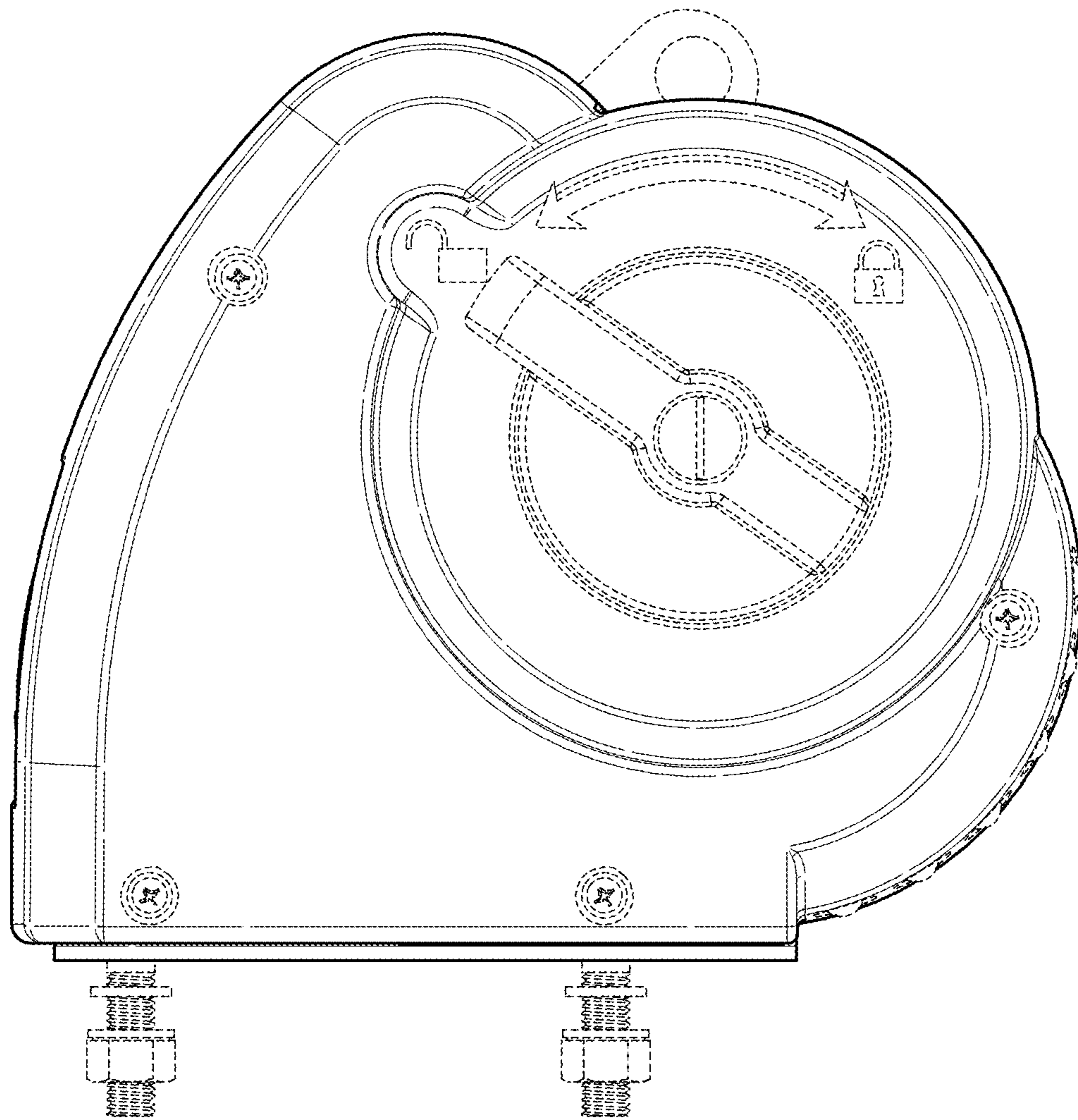


FIG. 8

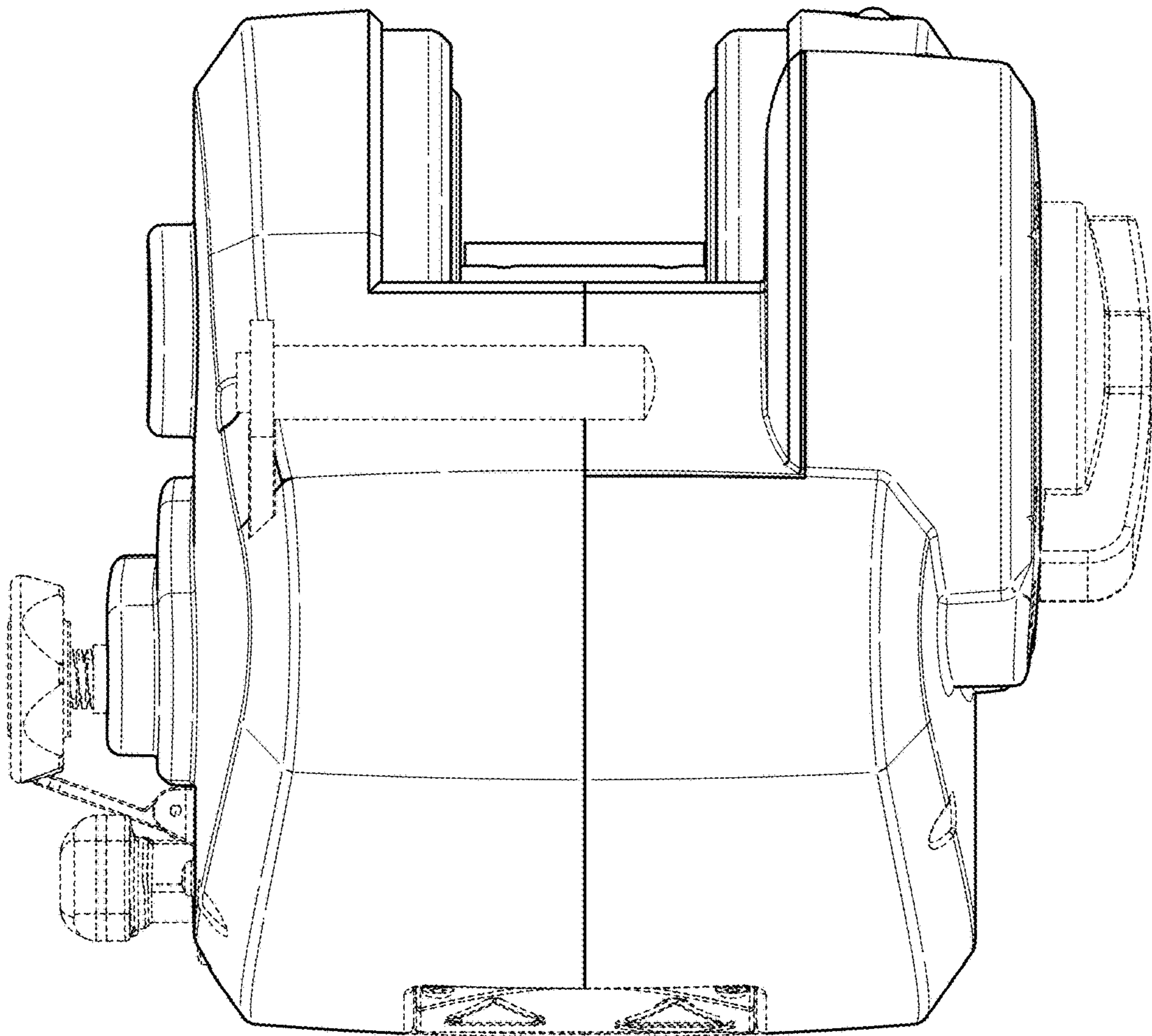


FIG. 9

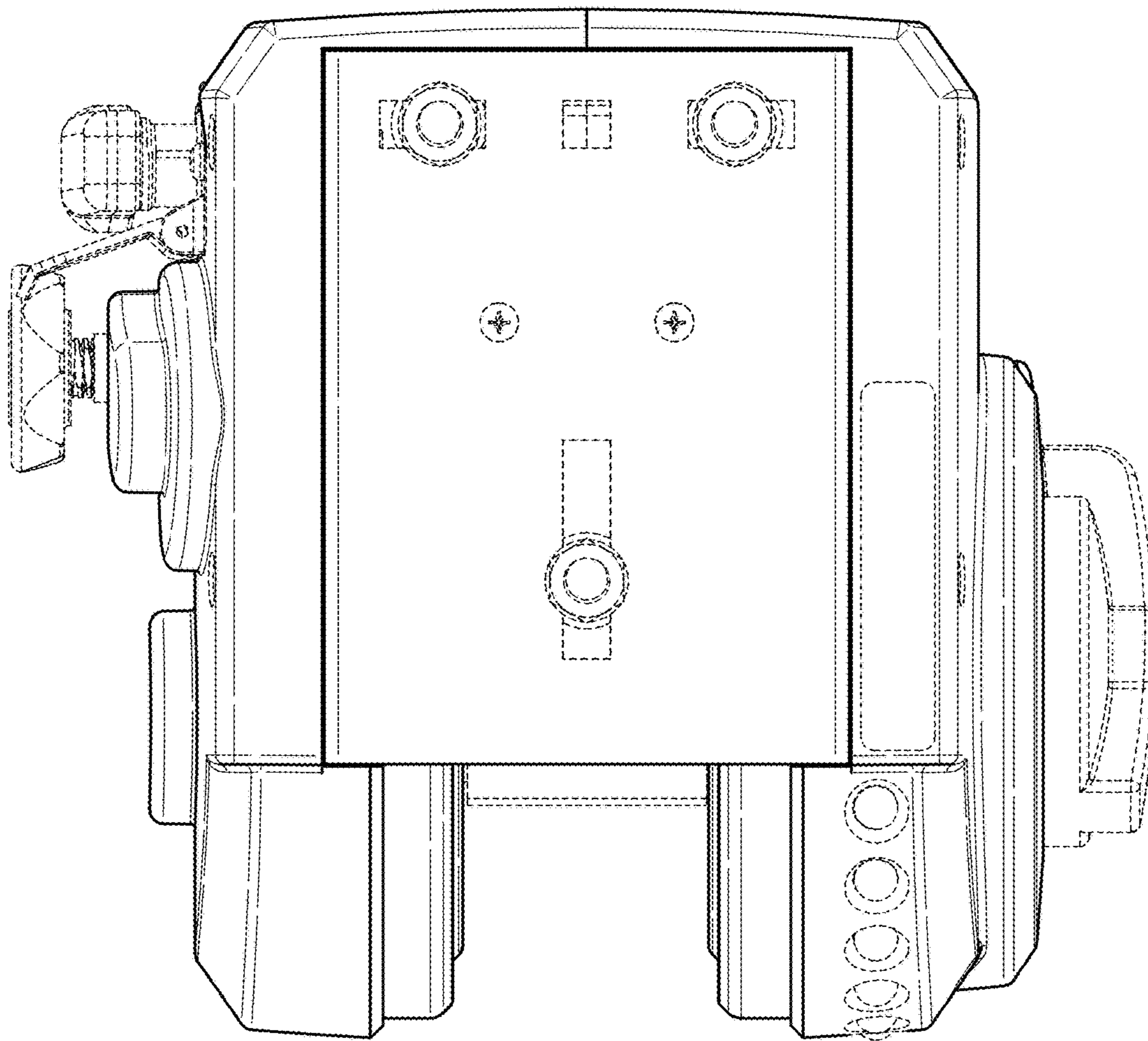


FIG. 10