



US00D795521S

(12) **United States Design Patent**
Han

(10) **Patent No.:** **US D795,521 S**

(45) **Date of Patent:** **** Aug. 22, 2017**

(54) **TRASH CAN**

(71) Applicant: **Anqing Han**, Yuyao (CN)

(72) Inventor: **Anqing Han**, Yuyao (CN)

(**) Term: **15 Years**

(21) Appl. No.: **29/572,281**

(22) Filed: **Jul. 26, 2016**

(51) **LOC (10) Cl.** **09-09**

(52) **U.S. Cl.**
USPC **D34/7**

(58) **Field of Classification Search**
USPC D34/1-11; 220/908, 908.1, 262-264,
220/404, 334, 335, 336, 337, 211, 260,
220/261

CPC . B65F 1/163; B65F 2250/114; B65F 2230/00
See application file for complete search history.

(56) **References Cited**

U.S. PATENT DOCUMENTS

D481,508 S * 10/2003 Wang D34/9
D551,415 S * 9/2007 Memari D20/19
D603,119 S * 10/2009 Yang D34/7
D641,611 S * 7/2011 Minayoshi D8/354

D660,907 S * 5/2012 Wing D18/34.5
D668,415 S * 10/2012 Decker D34/9
D673,750 S * 1/2013 Quan D34/9
D688,739 S * 8/2013 Labat D18/34.5
D747,406 S * 1/2016 Sweet D18/34.5
D765,937 S * 9/2016 Chen D34/7
D790,145 S * 6/2017 Chen D34/7

* cited by examiner

Primary Examiner — Cynthia Ramirez

(74) *Attorney, Agent, or Firm* — Clement Cheng

(57) **CLAIM**

The ornamental design for a trash can, as shown and described.

DESCRIPTION

FIG. 1 is a perspective view of a trash can showing my new design.

FIG. 2 is a front view.

FIG. 3 is a rear view.

FIG. 4 is a left side view.

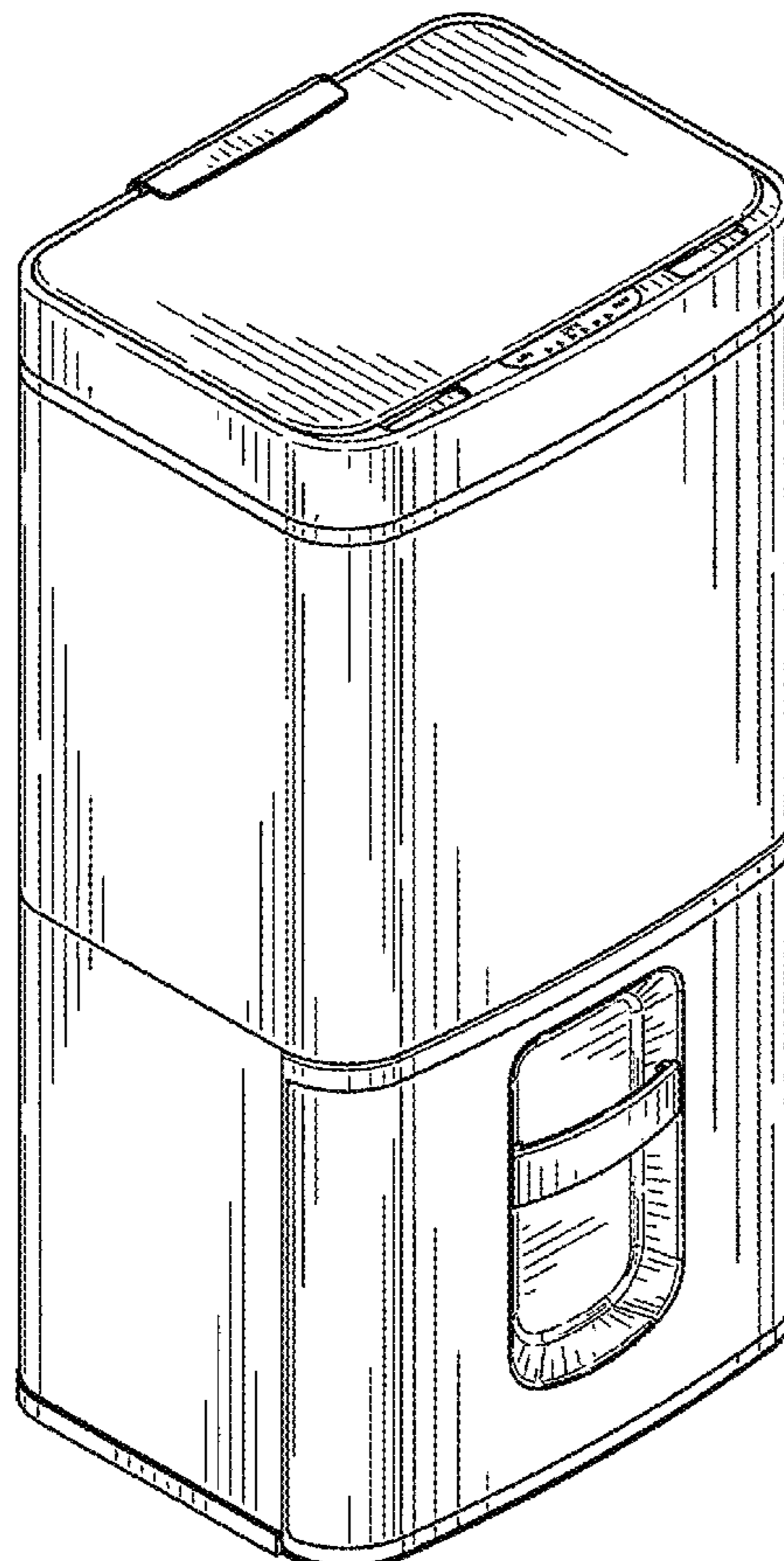
FIG. 5 is a right side view.

FIG. 6 is a top view; and,

FIG. 7 is a bottom view.

The broken lines shown in the Figures are for the purpose of illustrating portions of the trash can and form no part of the claimed design.

1 Claim, 4 Drawing Sheets



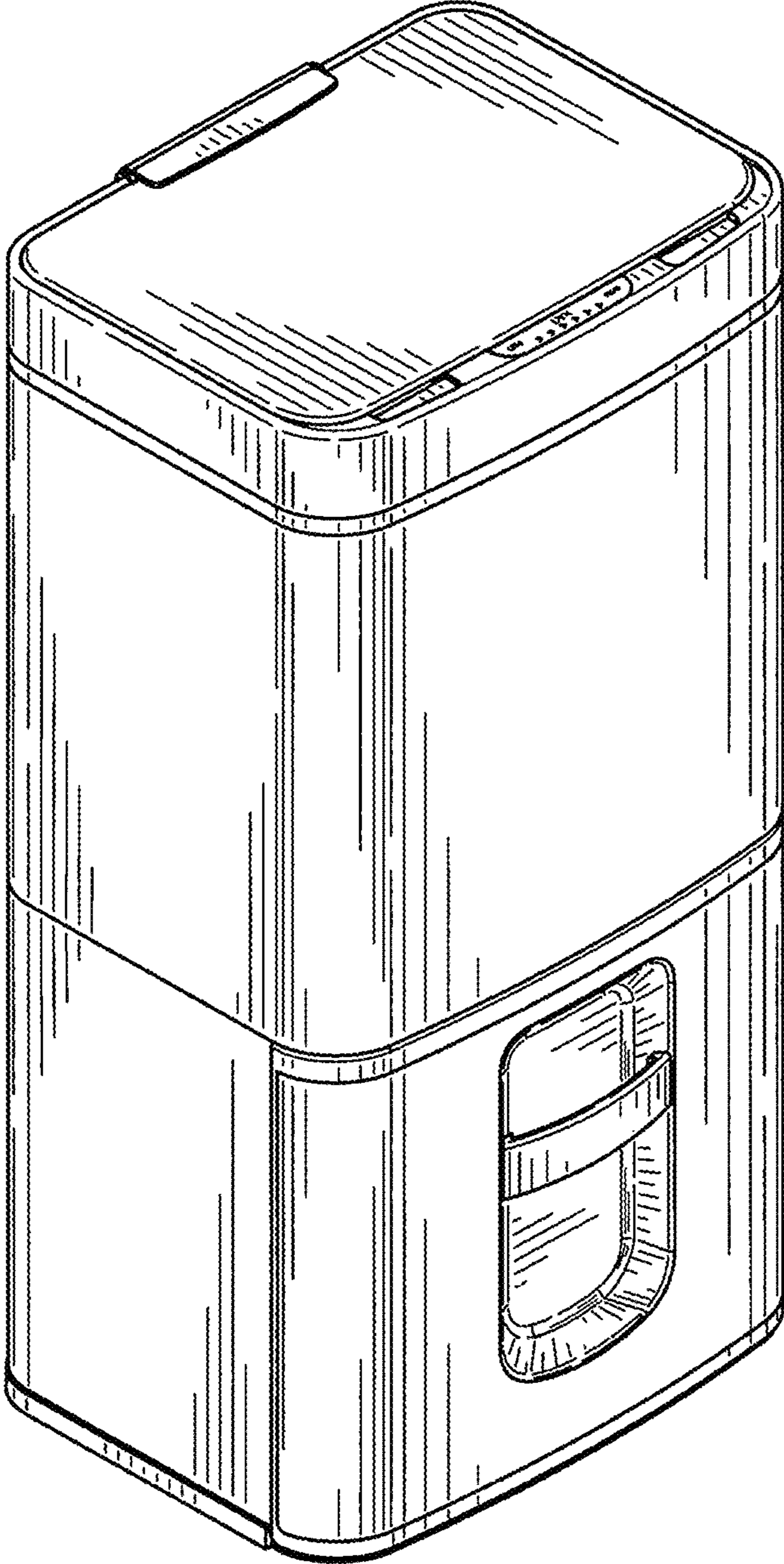


FIG. 1

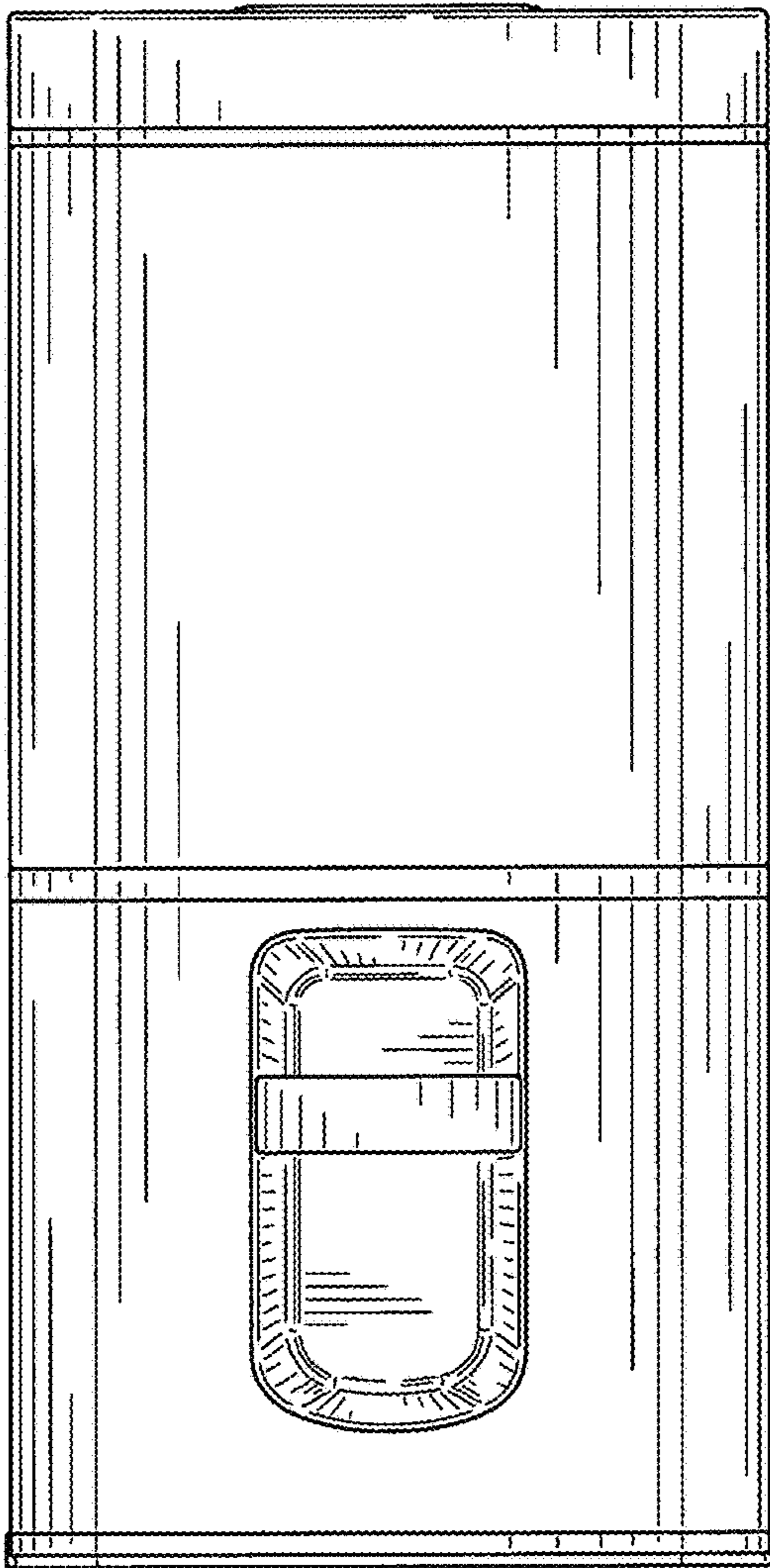


FIG. 2

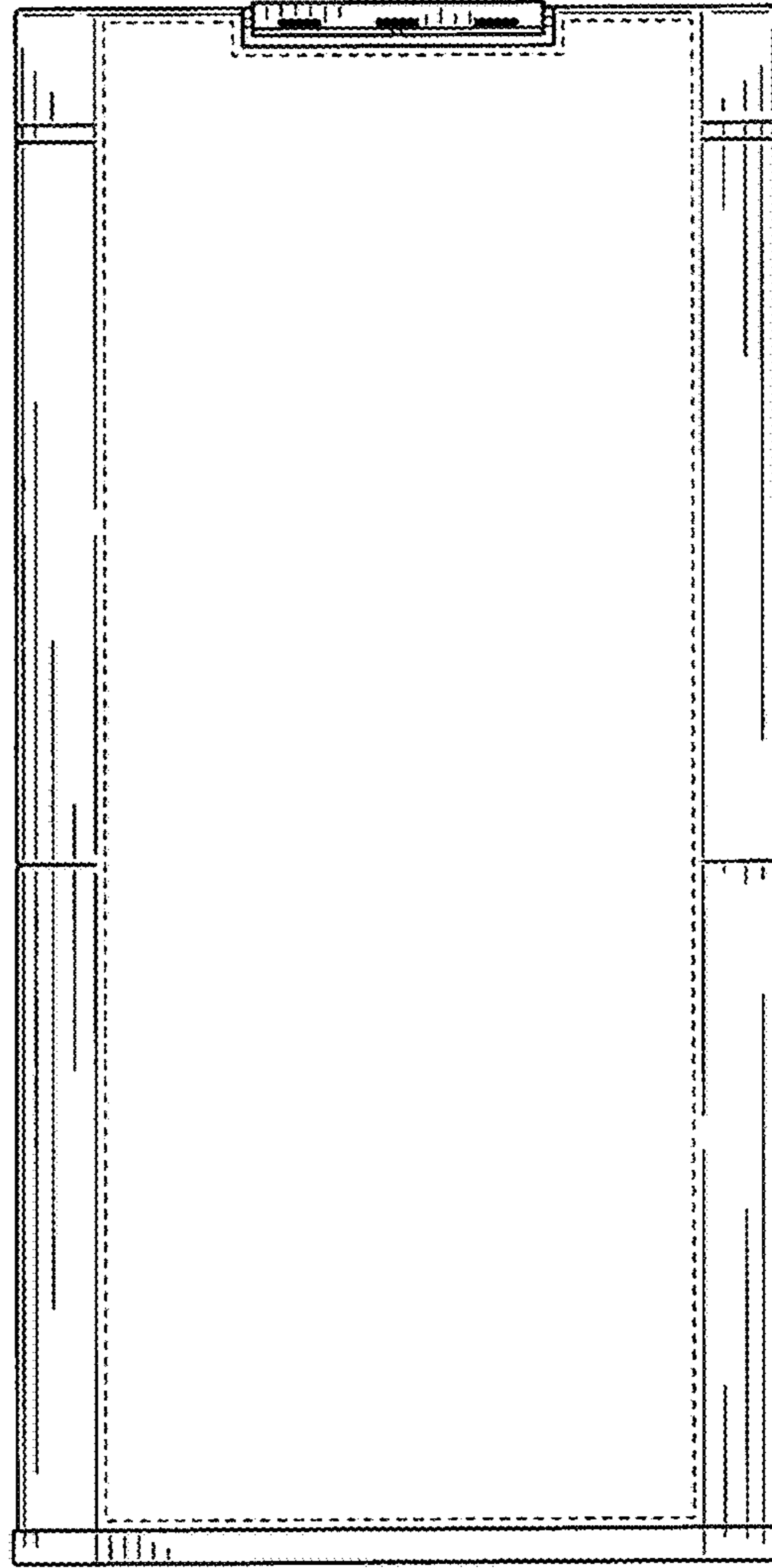


FIG. 3

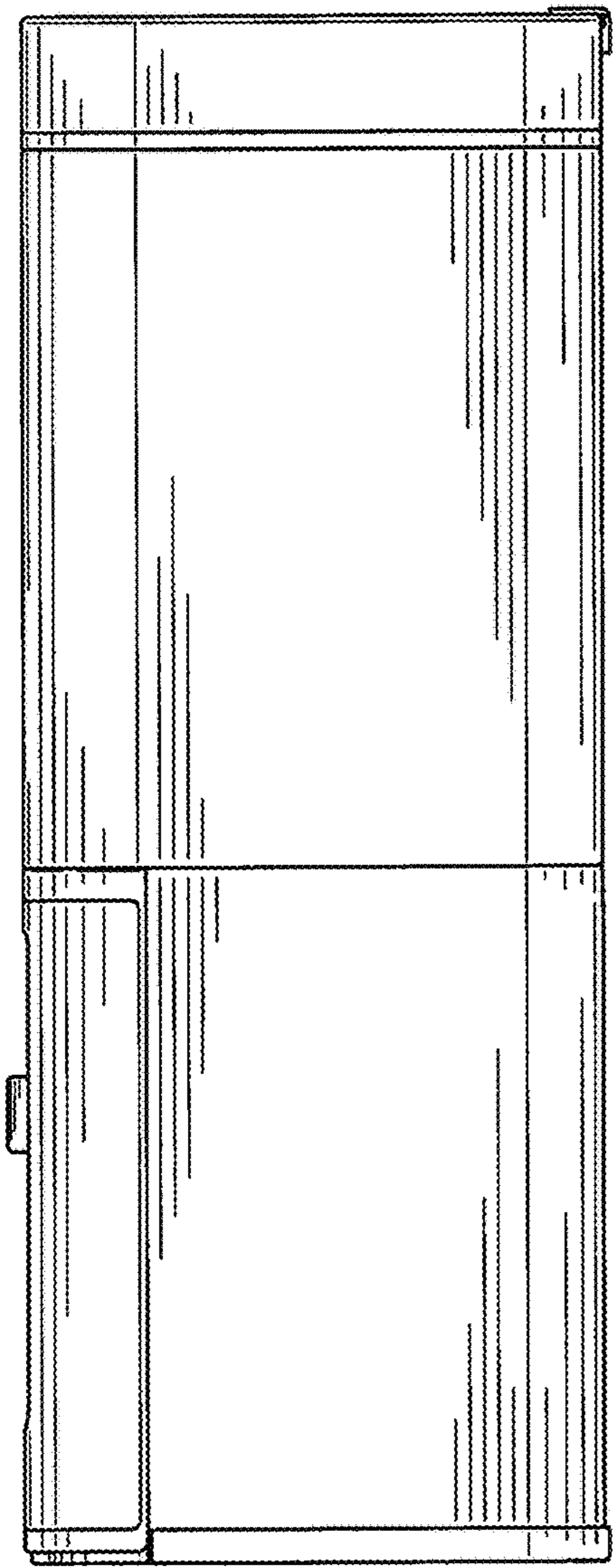


FIG. 4

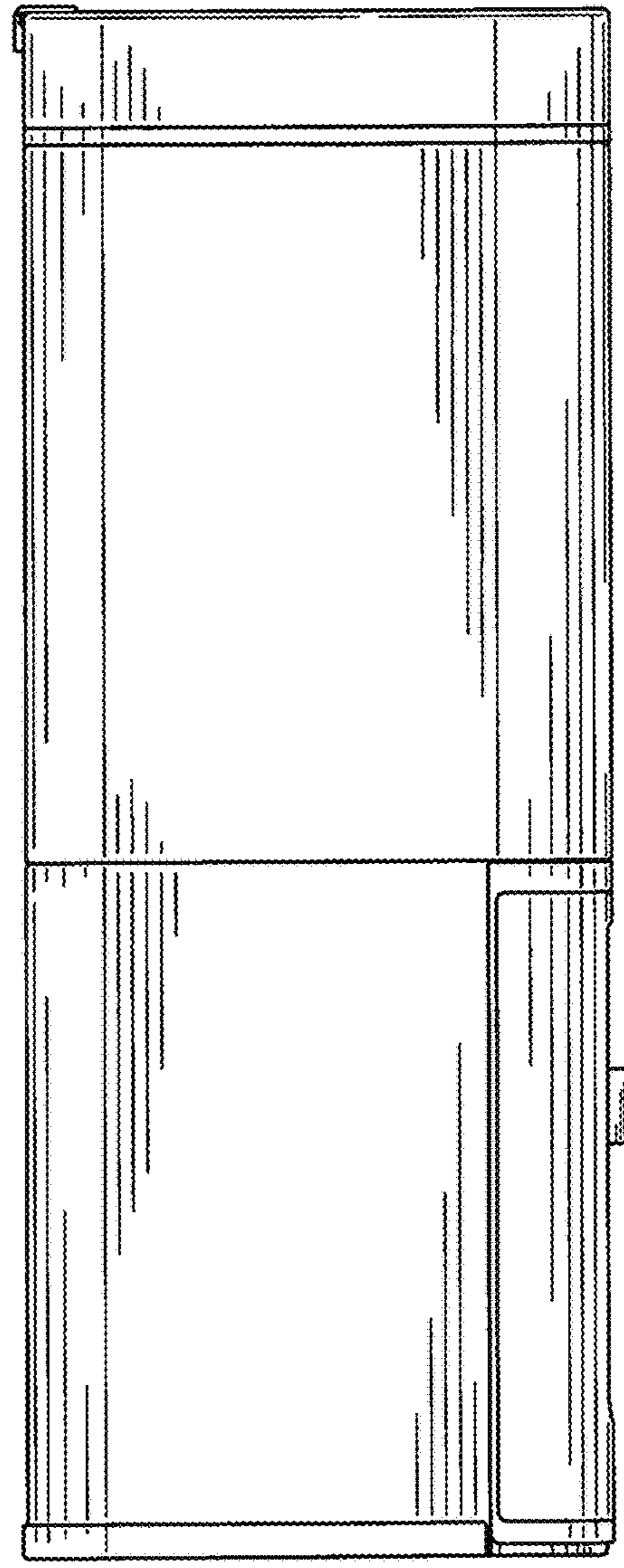


FIG. 5

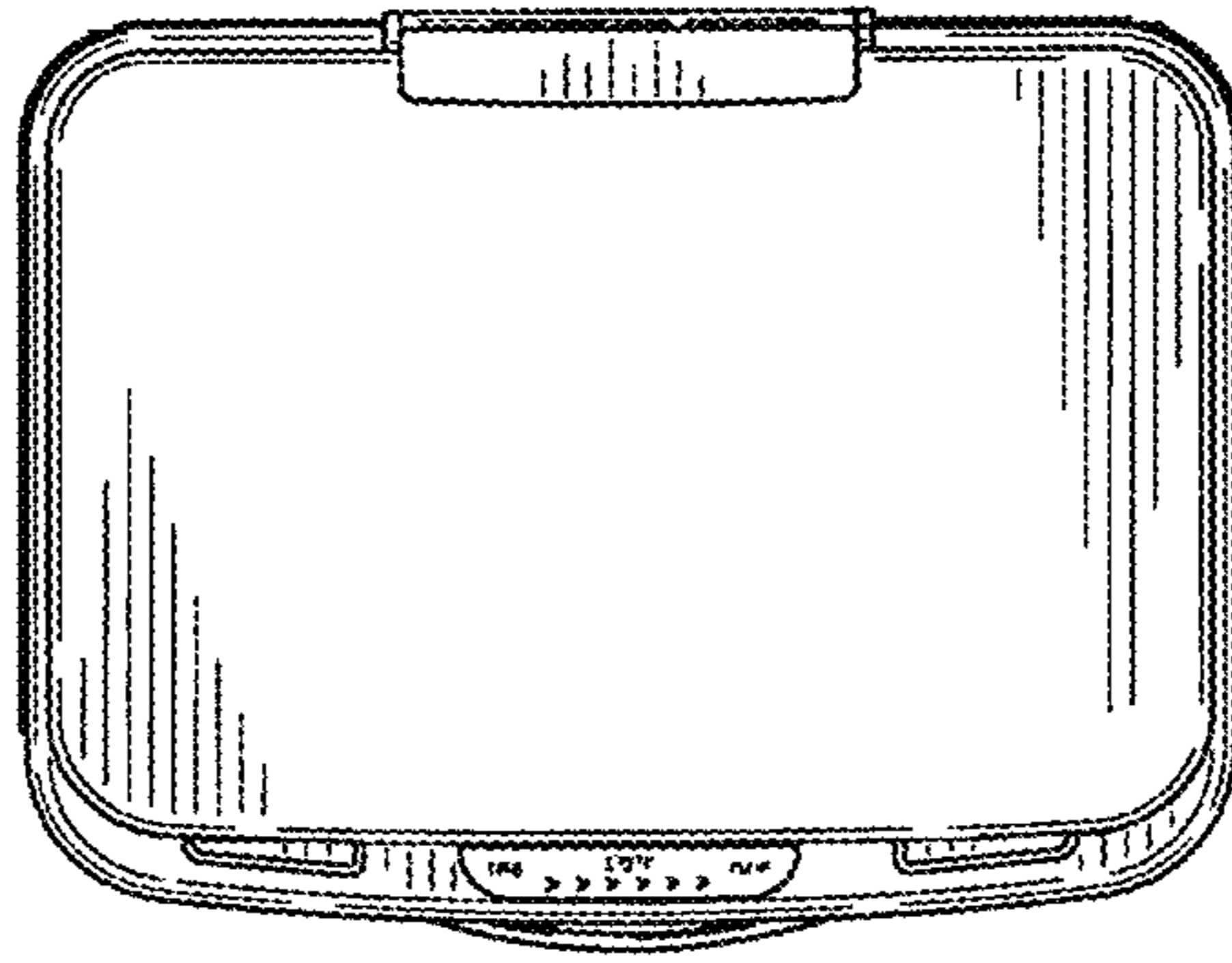


FIG. 6

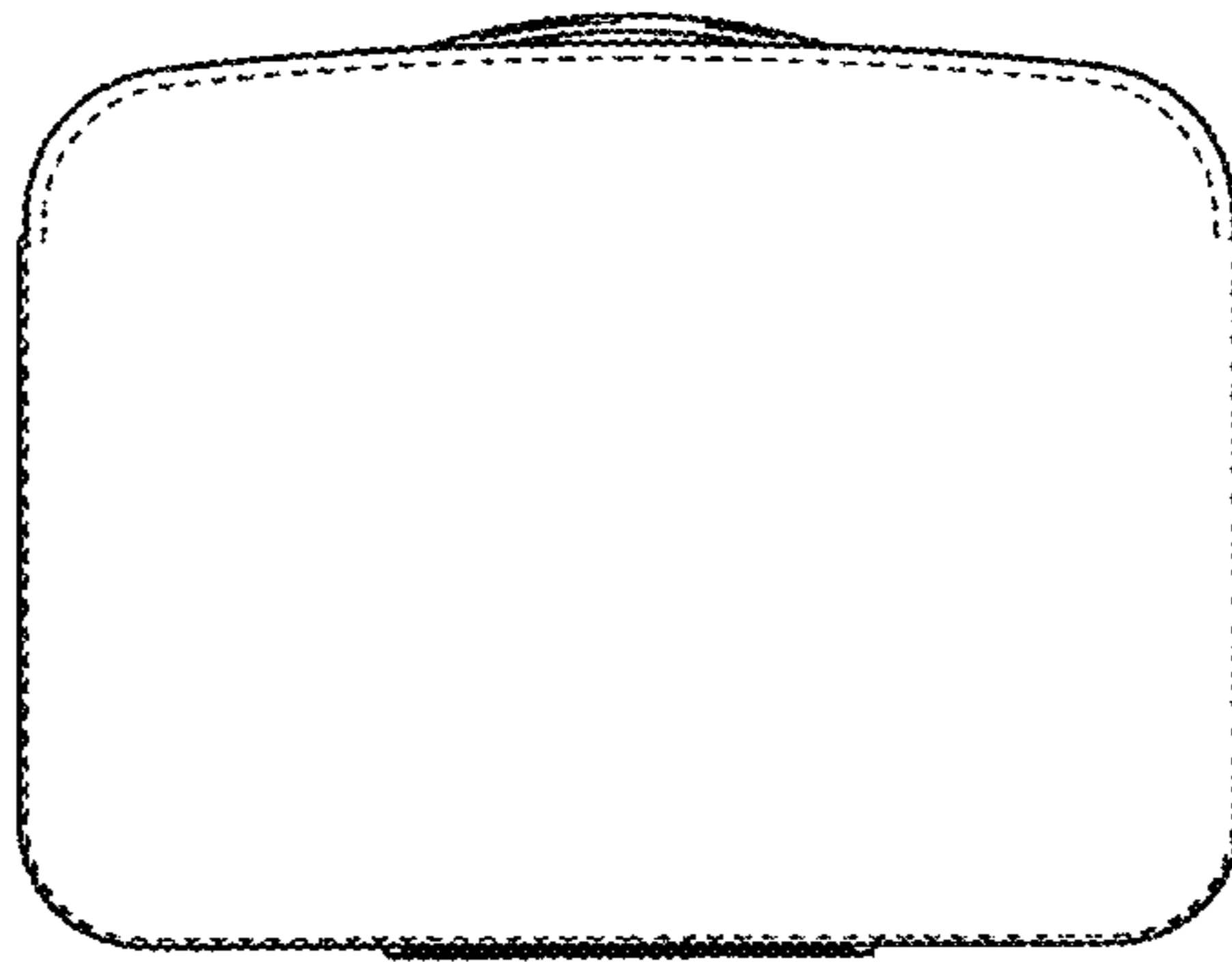


FIG. 7