



US00D795520S

(12) **United States Design Patent** (10) **Patent No.:** **US D795,520 S**  
**La Selva** (45) **Date of Patent:** **\*\* Aug. 22, 2017**

(54) **SOAP SCOOPER**

(71) Applicant: **Rosario V. La Selva**, Bethel, CT (US)

(72) Inventor: **Rosario V. La Selva**, Bethel, CT (US)

(\*\*) Term: **15 Years**

(21) Appl. No.: **29/584,535**

(22) Filed: **Nov. 15, 2016**

**Related U.S. Application Data**

(63) Continuation-in-part of application No. 29/505,162, filed on Jun. 25, 2015, now abandoned.

(51) **LOC (10) Cl.** ..... **07-05**

(52) **U.S. Cl.**  
USPC ..... **D32/74**

(58) **Field of Classification Search**  
USPC ..... D32/74, 41; D30/162; D7/691, 688;  
D4/116; 15/257.5, 257.3, 257.2, 257.1;  
134/6  
CPC ..... A47L 13/52; A47L 13/51; A46B 15/00;  
A46B 15/0097; A46B 15/0095; A46B  
17/04; A46B 5/00; A46B 2200/302  
See application file for complete search history.

(56) **References Cited**

**U.S. PATENT DOCUMENTS**

D393,121 S *	3/1998	Doin	.....	D32/74
D449,911 S *	10/2001	Goodman	.....	D32/74
D468,879 S *	1/2003	Perelli	.....	D32/74
6,732,402 B1 *	5/2004	Hsu	.....	A47L 13/52 15/257.6
D545,022 S *	6/2007	Morad	.....	D32/74
D551,820 S *	9/2007	Morad	.....	D32/74
D555,316 S *	11/2007	Hay	.....	D32/74
D586,519 S *	2/2009	Casteel	.....	D32/74
D595,509 S *	7/2009	Sekercioglu	.....	D32/74
D677,849 S *	3/2013	Petersen	.....	D32/74
D695,471 S *	12/2013	Buhagiar	.....	D30/162

D720,909 S *	1/2015	Vasilakes	.....	D32/74
D720,911 S *	1/2015	Libman	.....	D32/74
D734,911 S *	7/2015	Williams	.....	D32/74
D740,508 S *	10/2015	Brandon	.....	D32/53
D784,646 S *	4/2017	Baker	.....	D32/74

\* cited by examiner

*Primary Examiner* — Austin Murphy

(74) *Attorney, Agent, or Firm* — Ware, Fressola, Maguire & Barber LLP

(57) **CLAIM**

I claim the ornamental design for a soap scooper, as shown and described.

**DESCRIPTION**

FIG. 1 is a perspective view of my new design for a shower soap scooper with an elongated plastic rod, a plastic hook at a top end of the rod and a plastic shovel at a bottom end of the rod;

FIG. 2 is a front view of the plastic shovel of the soap scooper with the plastic rod shown slanting away from the viewer;

FIG. 3 is a rear view of the plastic shovel of the soap scooper with the plastic rod slanting toward the viewer;

FIG. 4 is a left side view of the soap scooper;

FIG. 5 is a right side view of the soap scooper;

FIG. 6 is a top view of the plastic shovel of the soap scooper with the plastic rod shown slanting away from the viewer;

FIG. 7 is a bottom view of the soap scooper;

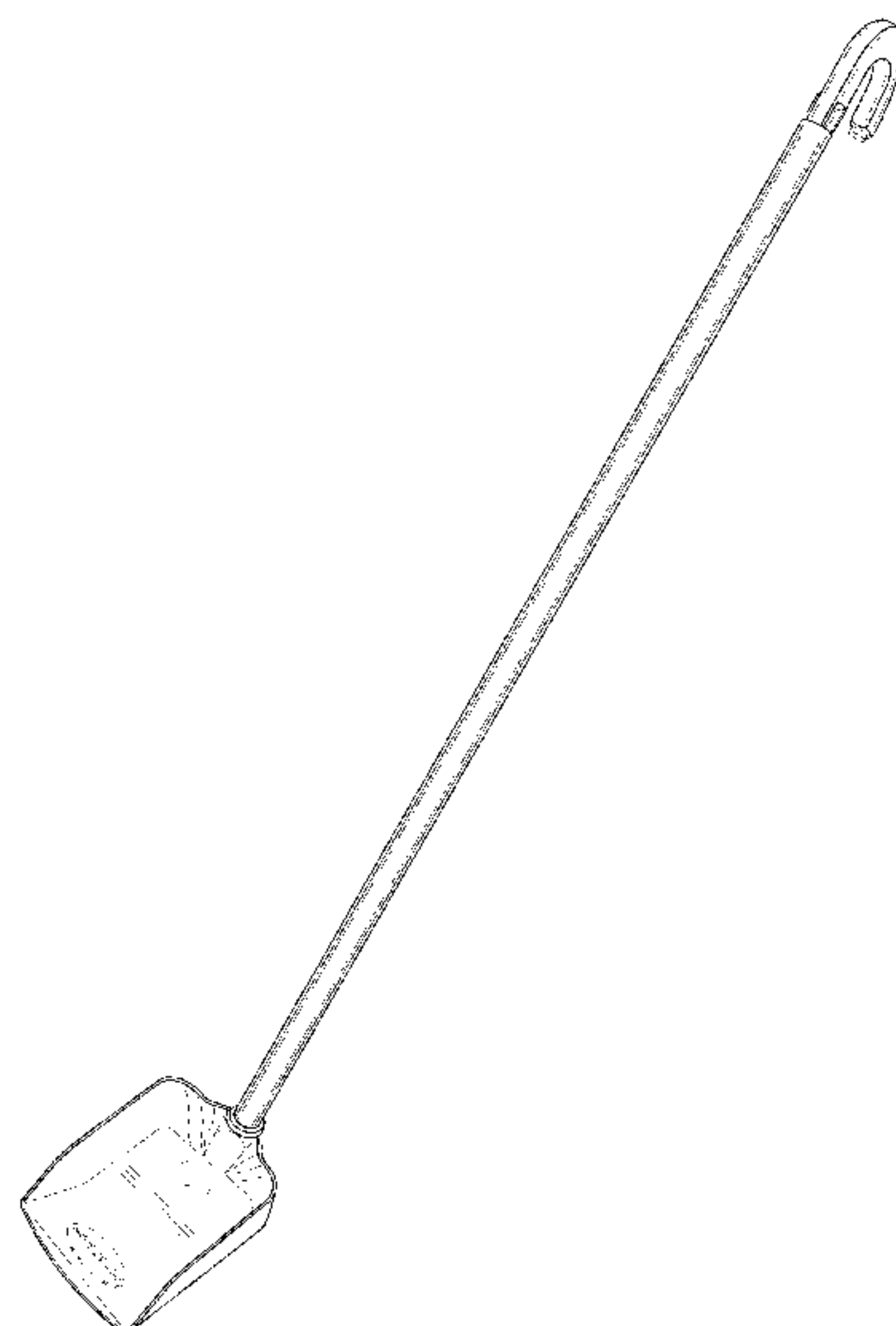
FIG. 8 is a rear view of the plastic hook at the top end of the rod; and,

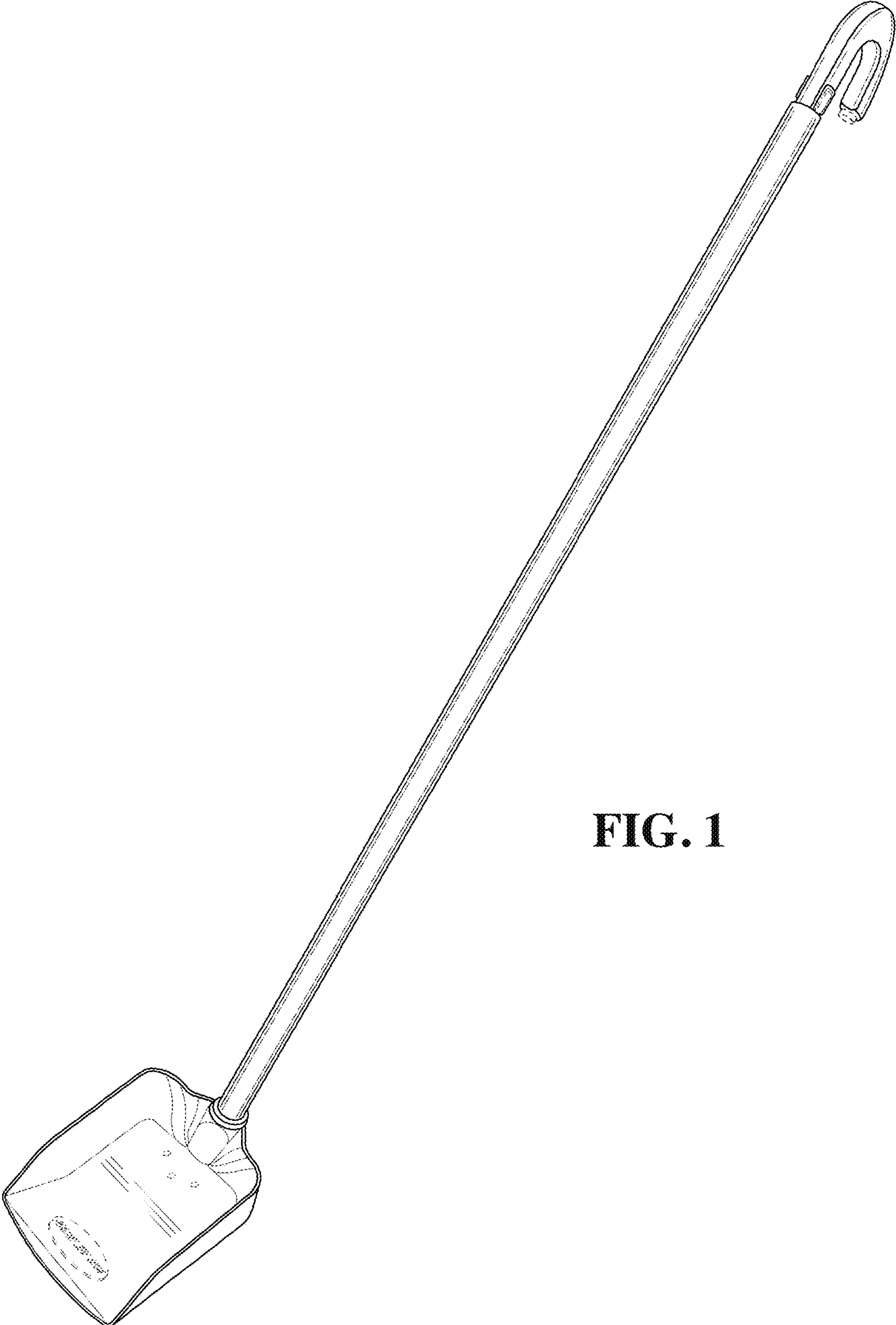
FIG. 9 is a front view of the plastic hook at the top end of the rod.

The dash dot dash lines shown in the drawings represent broken away lines and center lines along the length of the soap scooper for clarity of illustration.

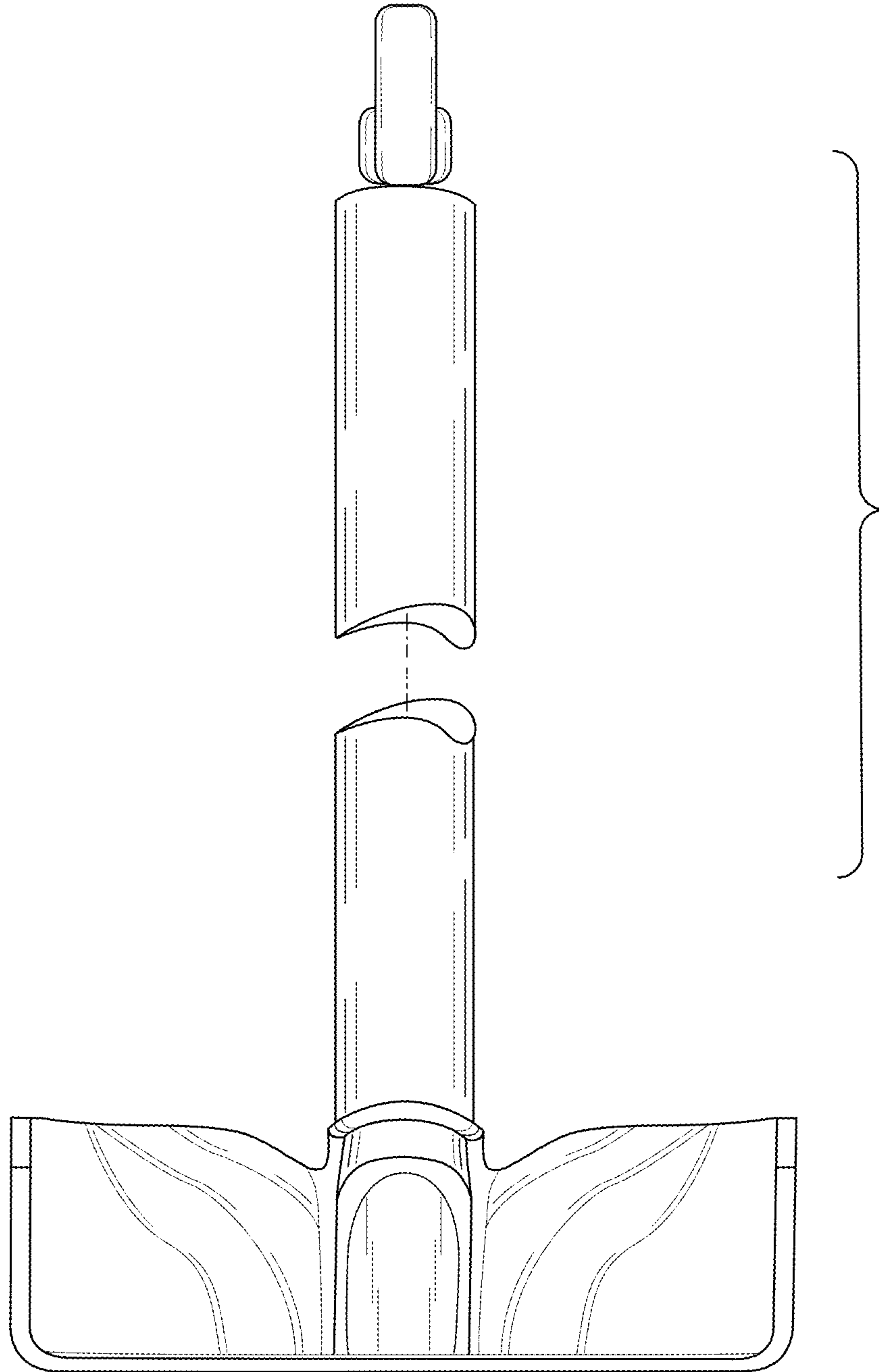
Structure that is not part of the claimed design is represented by broken lines.

**1 Claim, 8 Drawing Sheets**

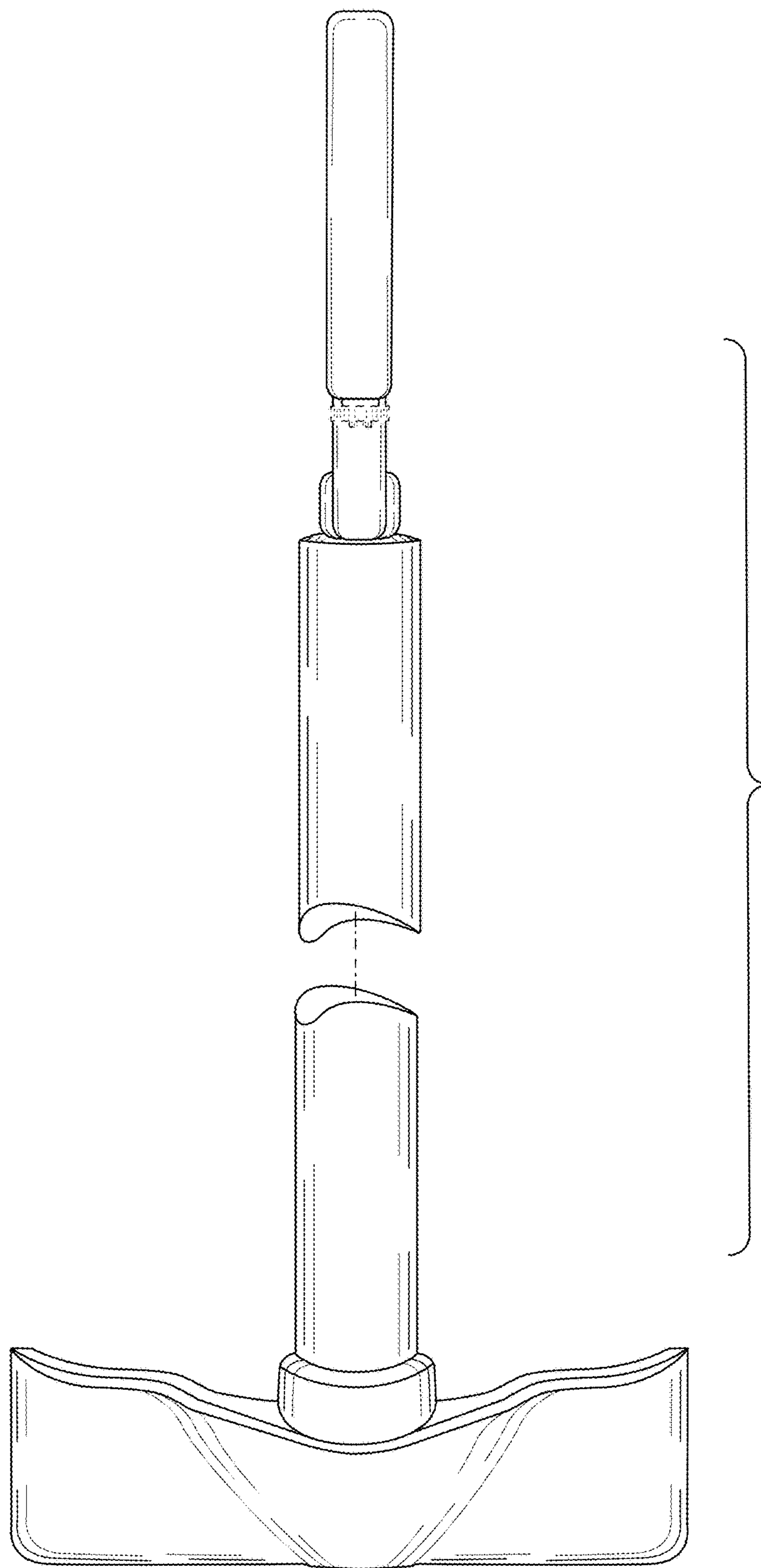




**FIG. 1**



**FIG. 2**



**FIG. 3**

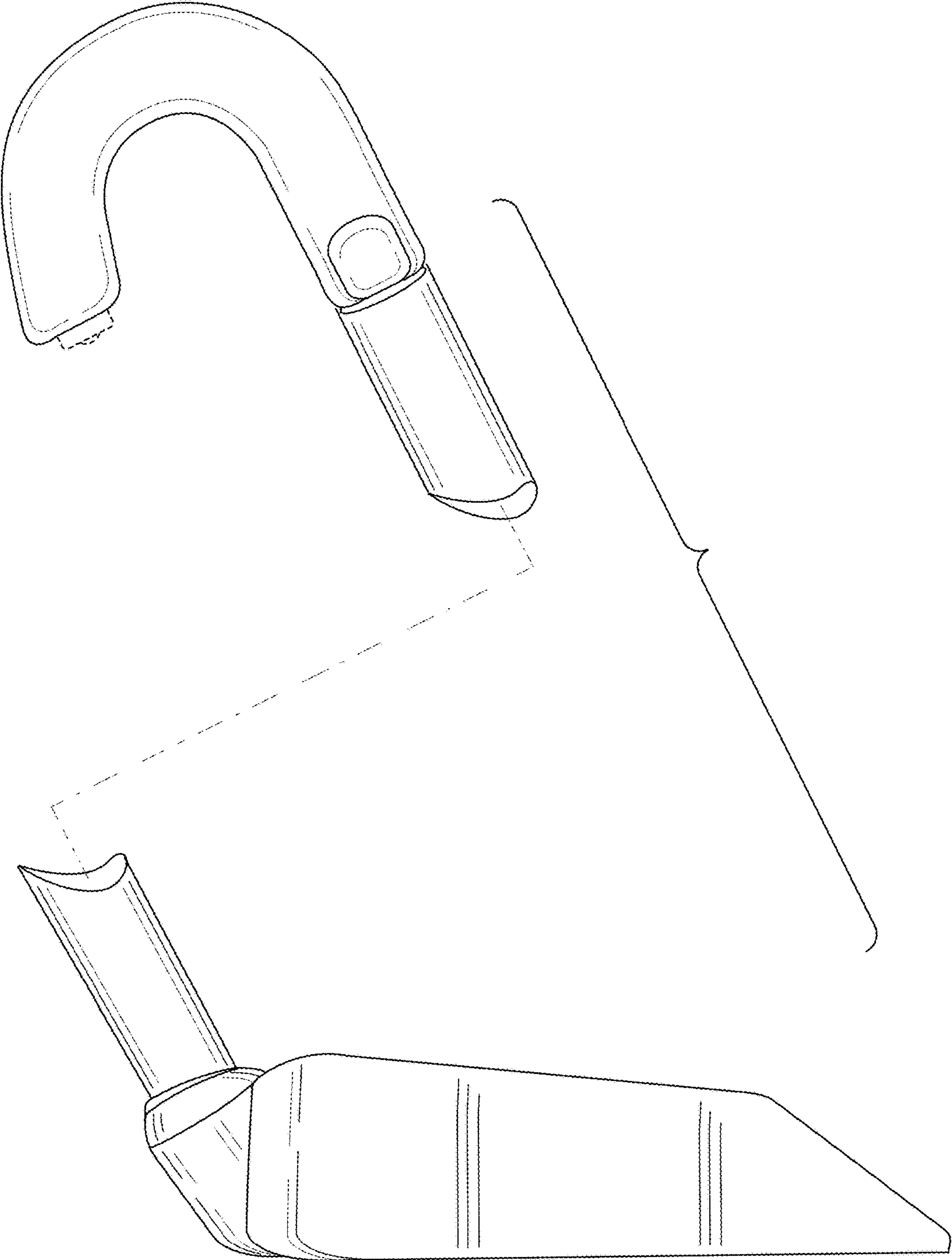


FIG. 4



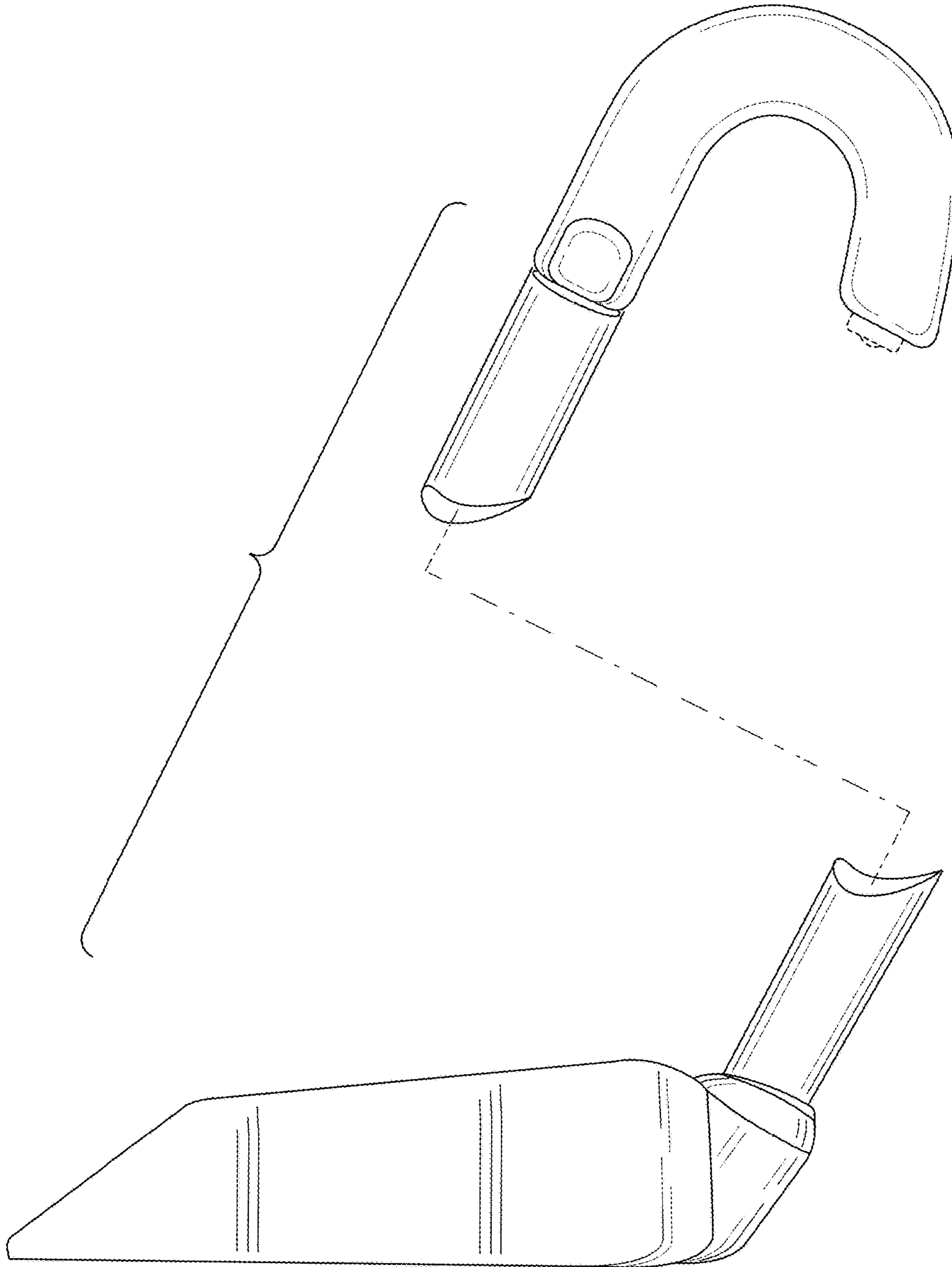


FIG. 5

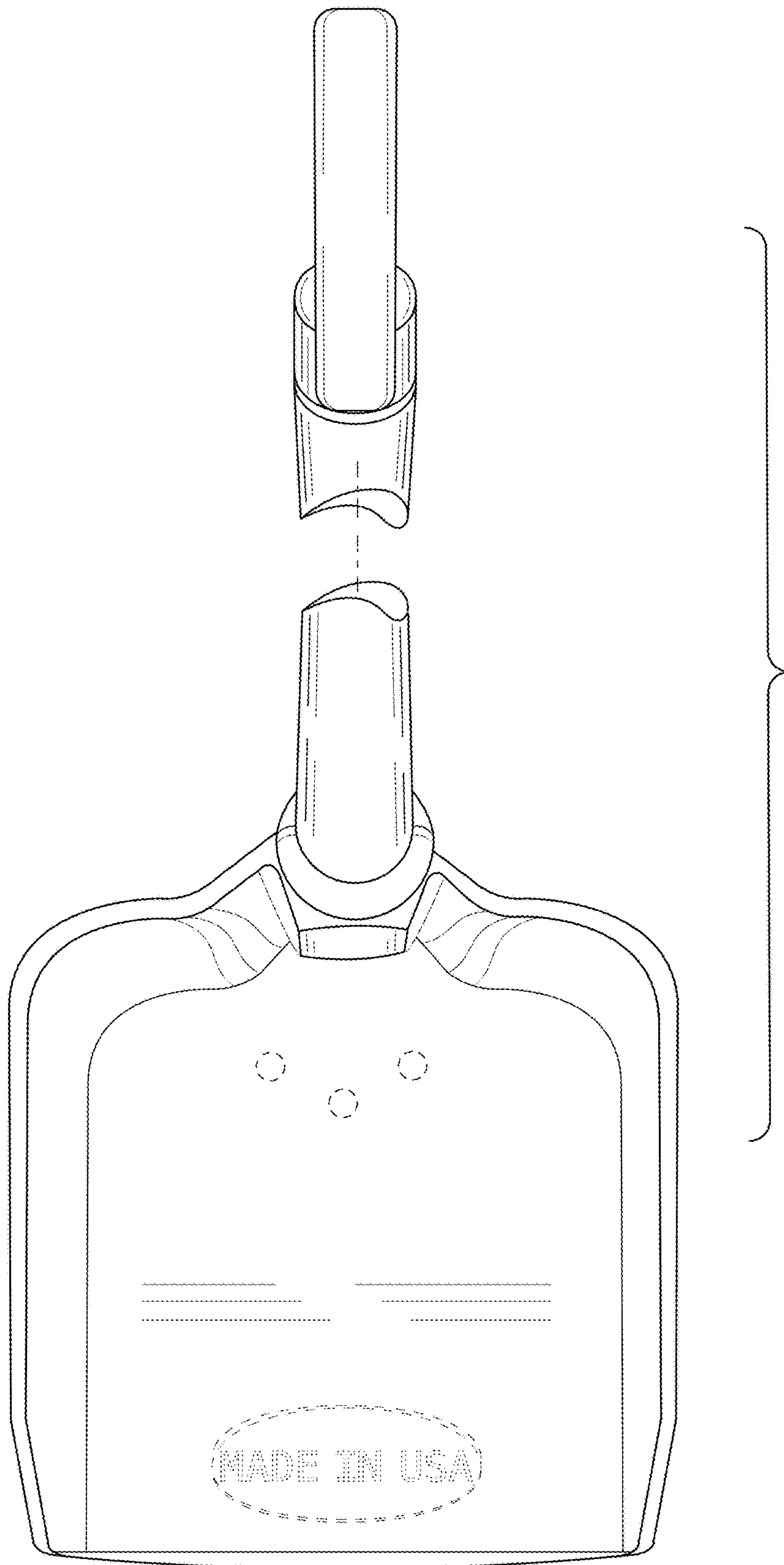
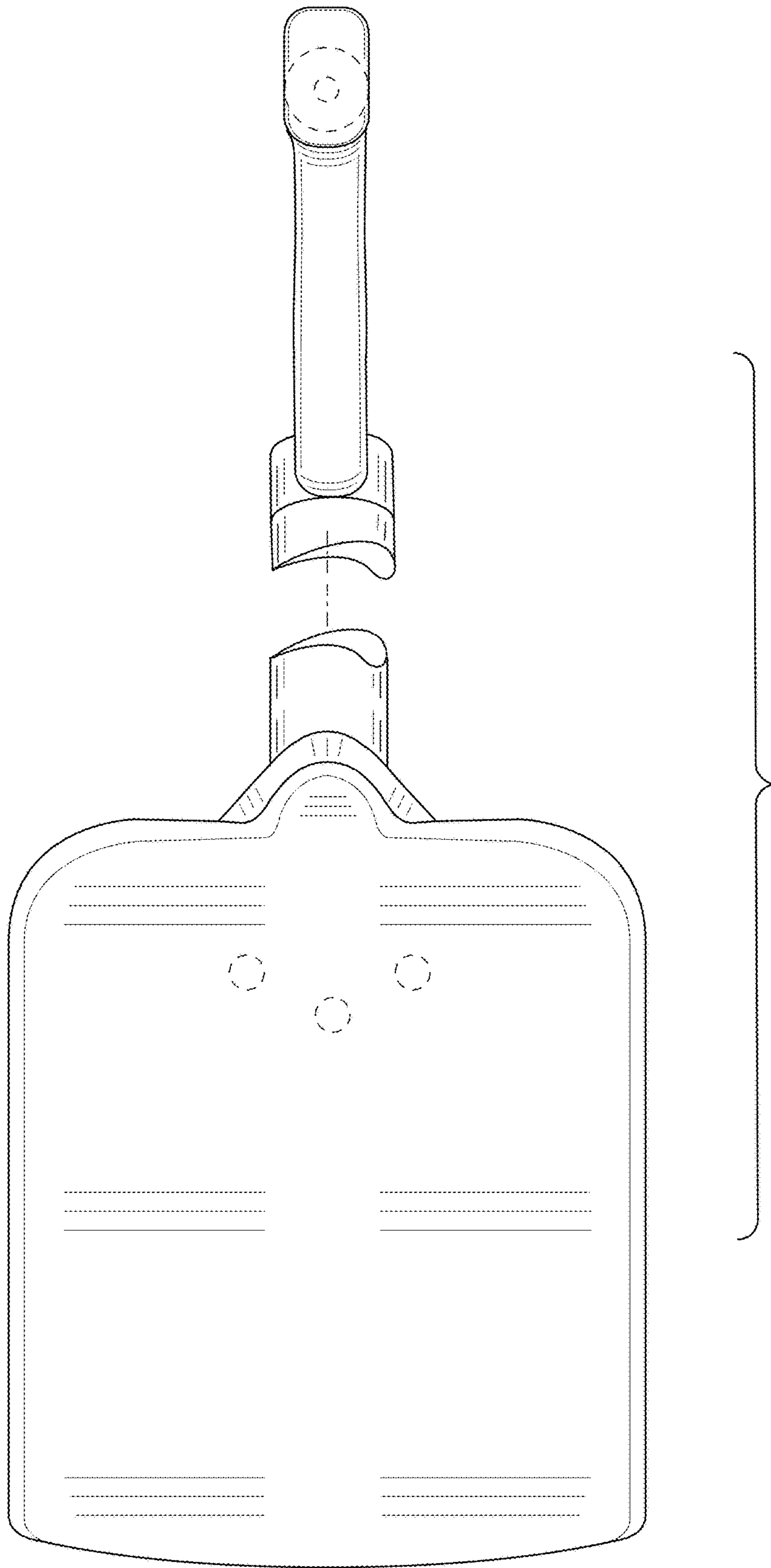
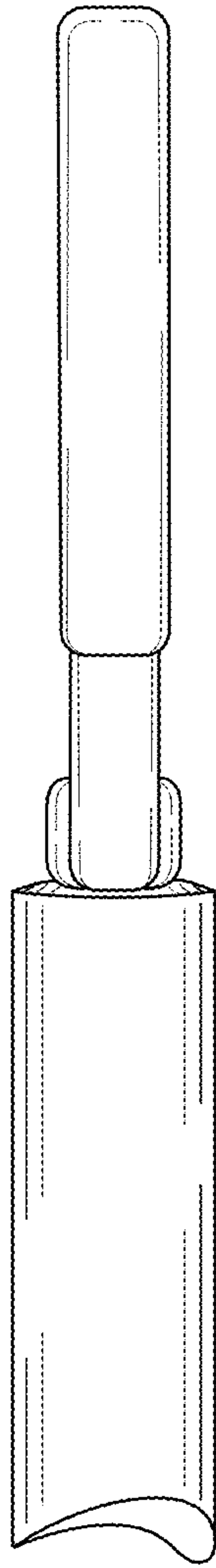


FIG. 6

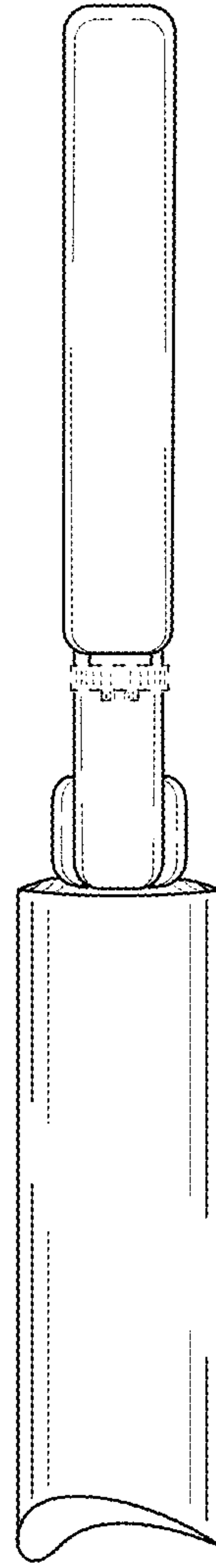


**FIG. 7**





**FIG. 8**



**FIG. 9**