



US00D795519S

(12) **United States Design Patent** (10) **Patent No.:** **US D795,519 S**
Goodman et al. (45) **Date of Patent:** **** Aug. 22, 2017**

- (54) **SINK CRADLE**
- (71) Applicant: **Spectrum Diversified Designs, LLC**, Streetsboro, OH (US)
- (72) Inventors: **Aaron D. Goodman**, Beachwood, OH (US); **Courtney K. Wilson**, Chardon, OH (US)
- (73) Assignee: **Spectrum Diversified Designs, LLC**, Streetsboro, OH (US)

| | | | |
|--------------|---------|---------------|--------|
| D612,648 S * | 3/2010 | Guindi | D6/525 |
| D668,496 S * | 10/2012 | Ho | D6/553 |
| D675,049 S * | 1/2013 | Goodman | D6/513 |
| D691,774 S * | 10/2013 | Goodman | D32/55 |
| D692,633 S * | 10/2013 | Goodman | D32/55 |
| D718,510 S * | 11/2014 | Goodman | D32/55 |
| D723,760 S * | 3/2015 | Goodman | D32/55 |
| D723,761 S * | 3/2015 | Goodman | D32/55 |
| D734,910 S * | 7/2015 | Ouyang | D32/58 |
| D759,928 S * | 6/2016 | Goodman | D32/55 |
| D762,035 S * | 7/2016 | Cooper | D32/55 |
| D762,397 S * | 8/2016 | Goodman | D6/537 |
| D764,133 S * | 8/2016 | Goodman | D32/55 |

(**) Term: **15 Years**

(21) Appl. No.: **29/563,874**

(22) Filed: **May 9, 2016**

(51) **LOC (10) Cl.** **07-05**

(52) **U.S. Cl.**
USPC **D32/55**

(58) **Field of Classification Search**
USPC D32/55, 276, 3; D6/510, 525; D30/133;
211/41.5, 41.4, 41.3, 41.8; 361/679.4;
312/311, 333, 334.4; D7/354, 629
CPC .. A47L 15/505; A47L 15/503; A47L 15/0013;
A47L 19/02; A47L 19/04; A47J 47/20
See application file for complete search history.

(56) **References Cited**

U.S. PATENT DOCUMENTS

| | | | |
|--------------|---------|----------------|--------|
| D453,651 S * | 2/2002 | Snell | D6/537 |
| D479,100 S * | 9/2003 | Ancona | D7/631 |
| D563,708 S * | 3/2008 | Snell | D6/566 |
| D582,709 S | 12/2008 | Goodman et al. | |
| D594,286 S | 6/2009 | Goodman et al. | |

* cited by examiner

Primary Examiner — Austin Murphy

(74) *Attorney, Agent, or Firm* — Benesch, Friedlander, Coplan & Aronoff LLP

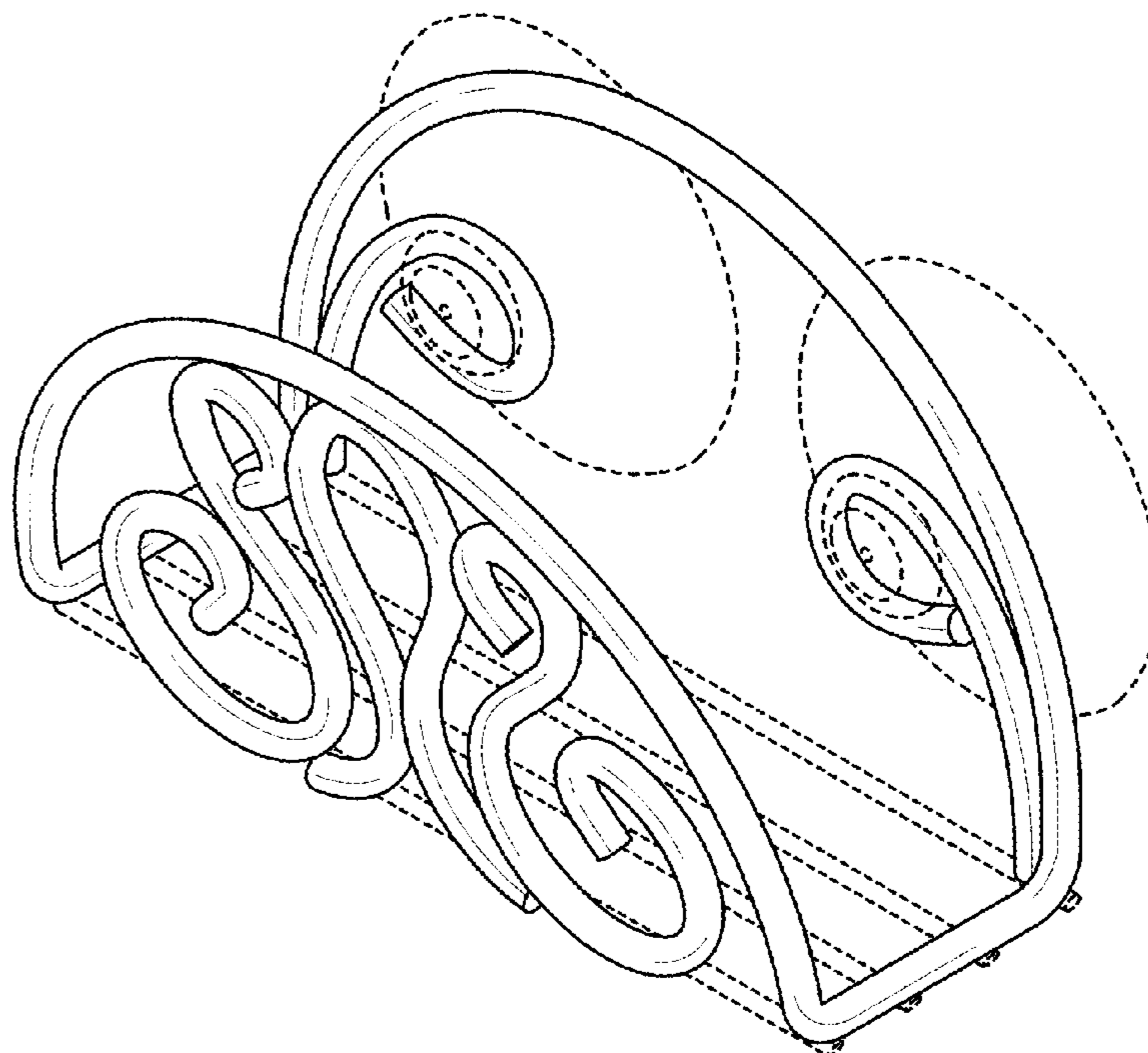
(57) **CLAIM**

What is claimed is the ornamental design for a sink cradle, as shown and described.

DESCRIPTION

FIG. 1 is a perspective view of a sink cradle showing a new design;
FIG. 2 is a front view of the sink cradle of FIG. 1;
FIG. 3 is a rear view of the sink cradle of FIG. 1;
FIG. 4 is a right side view of the sink cradle of FIG. 1;
FIG. 5 is a left side view of the sink cradle of FIG. 1;
FIG. 6 is a top view of the sink cradle of FIG. 1; and,
FIG. 7 is a bottom view of the sink cradle of FIG. 1.
The components of the display shown in broken lines illustrate portions of the sink cradle form no part of the claimed design.

1 Claim, 4 Drawing Sheets



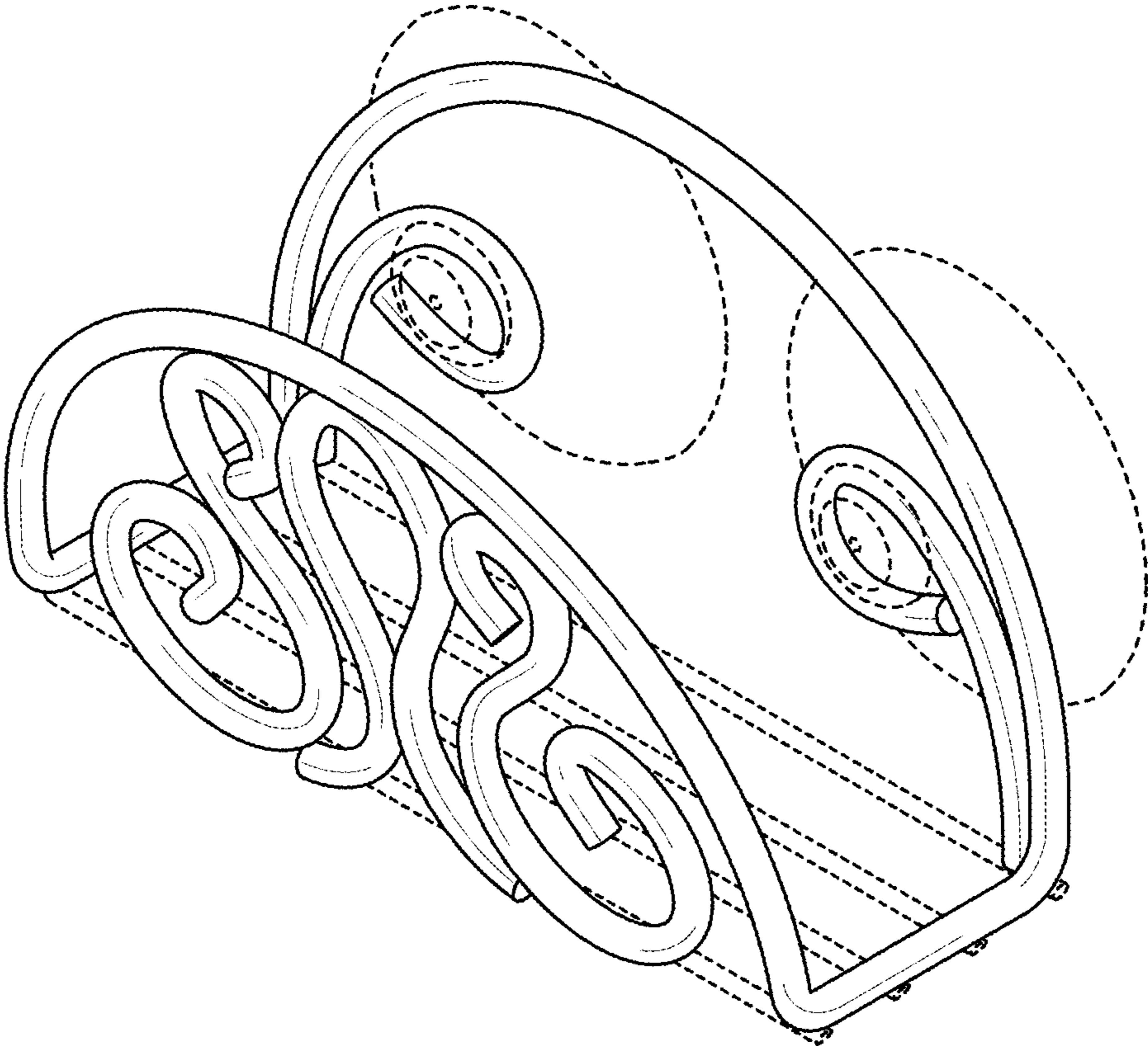


FIG. 1

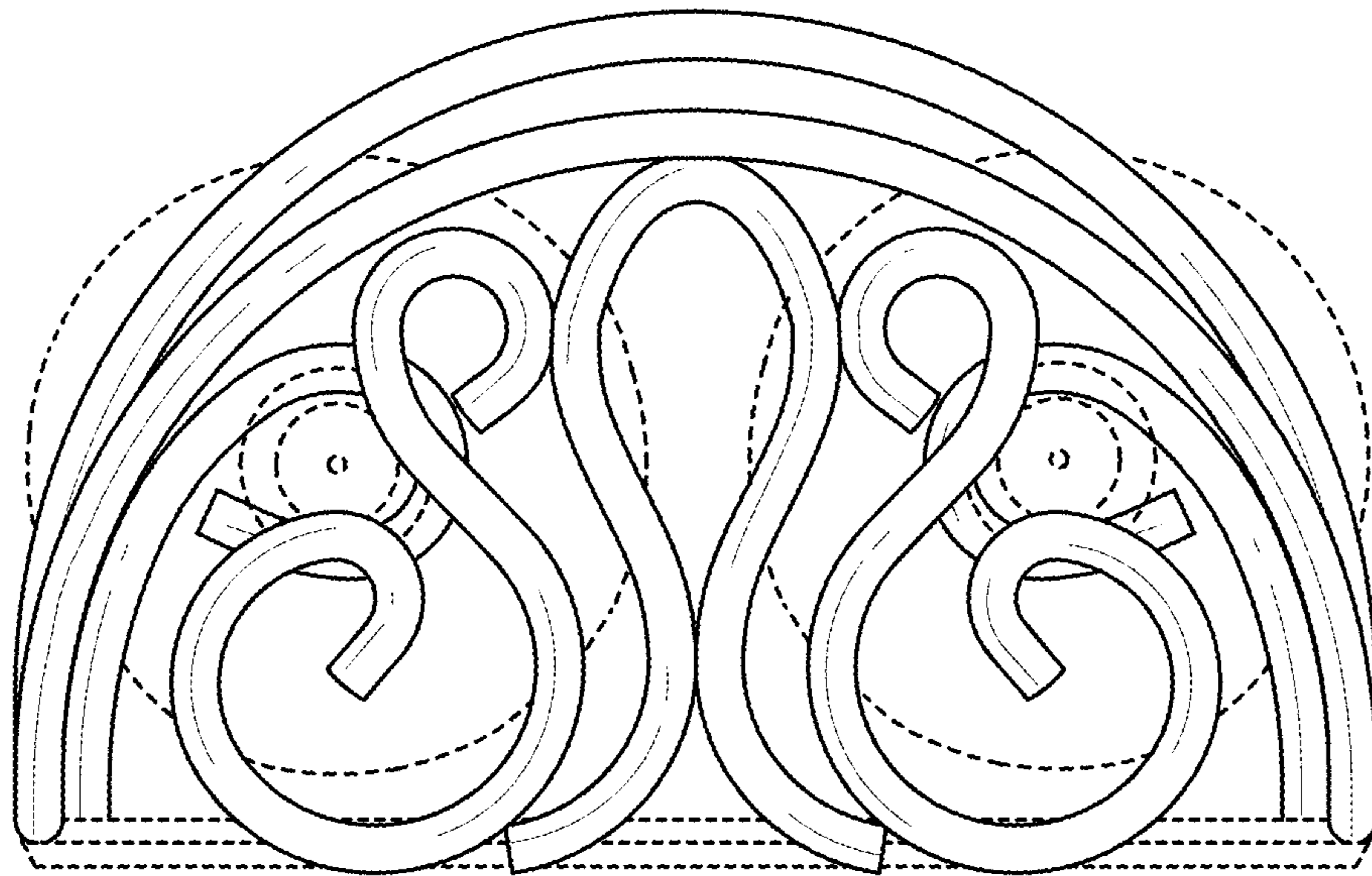


FIG. 2

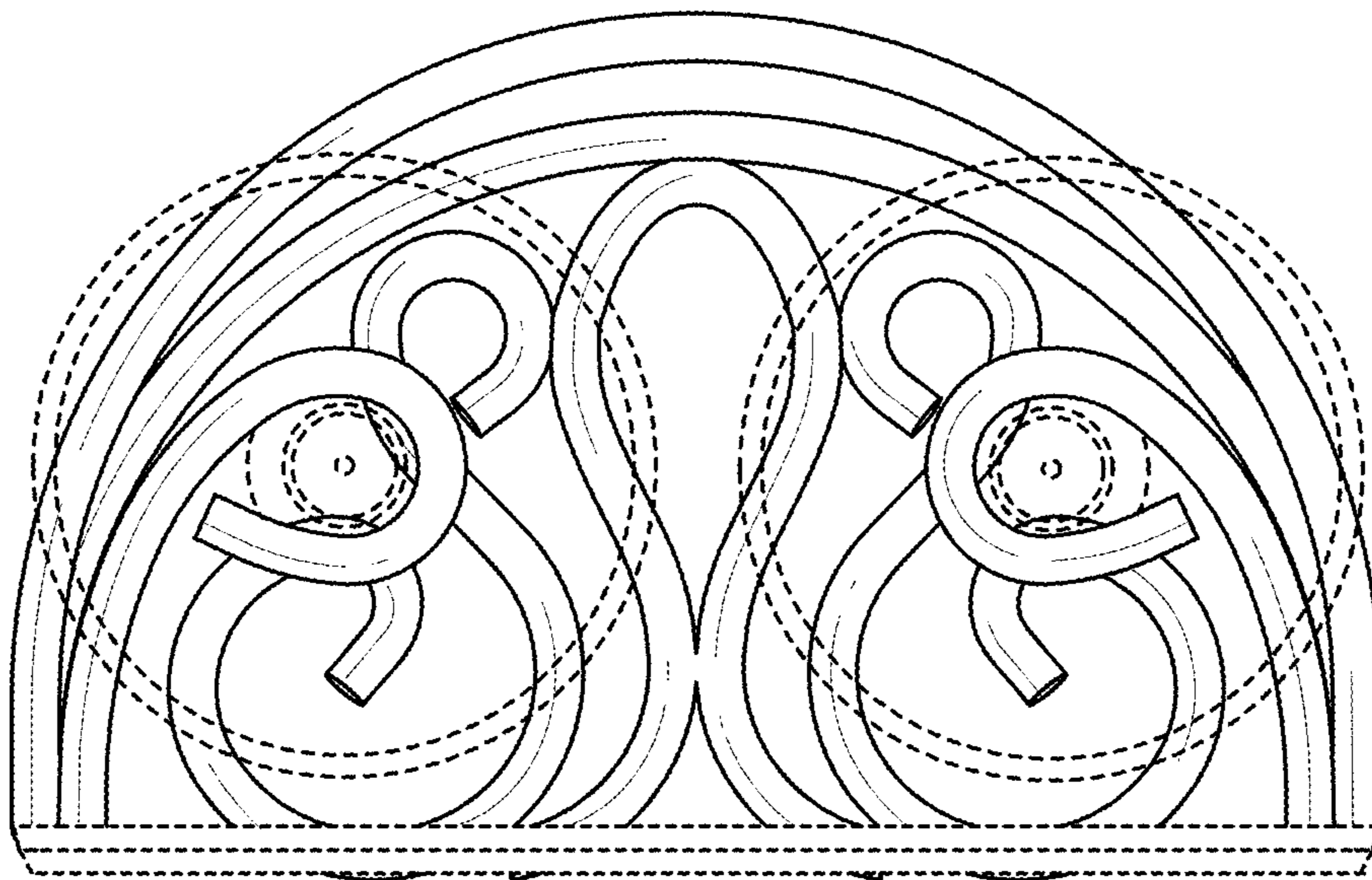


FIG. 3

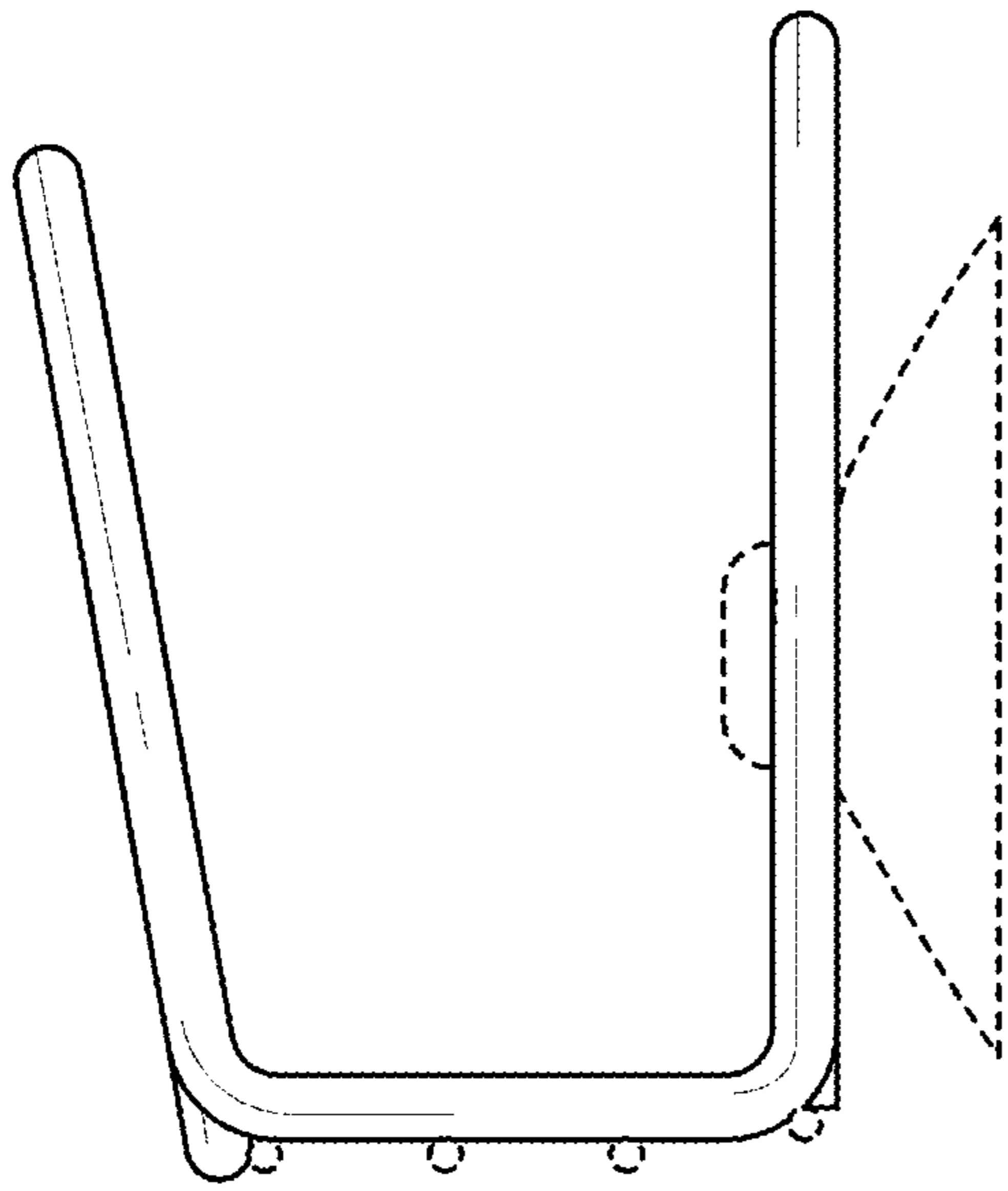


FIG. 4

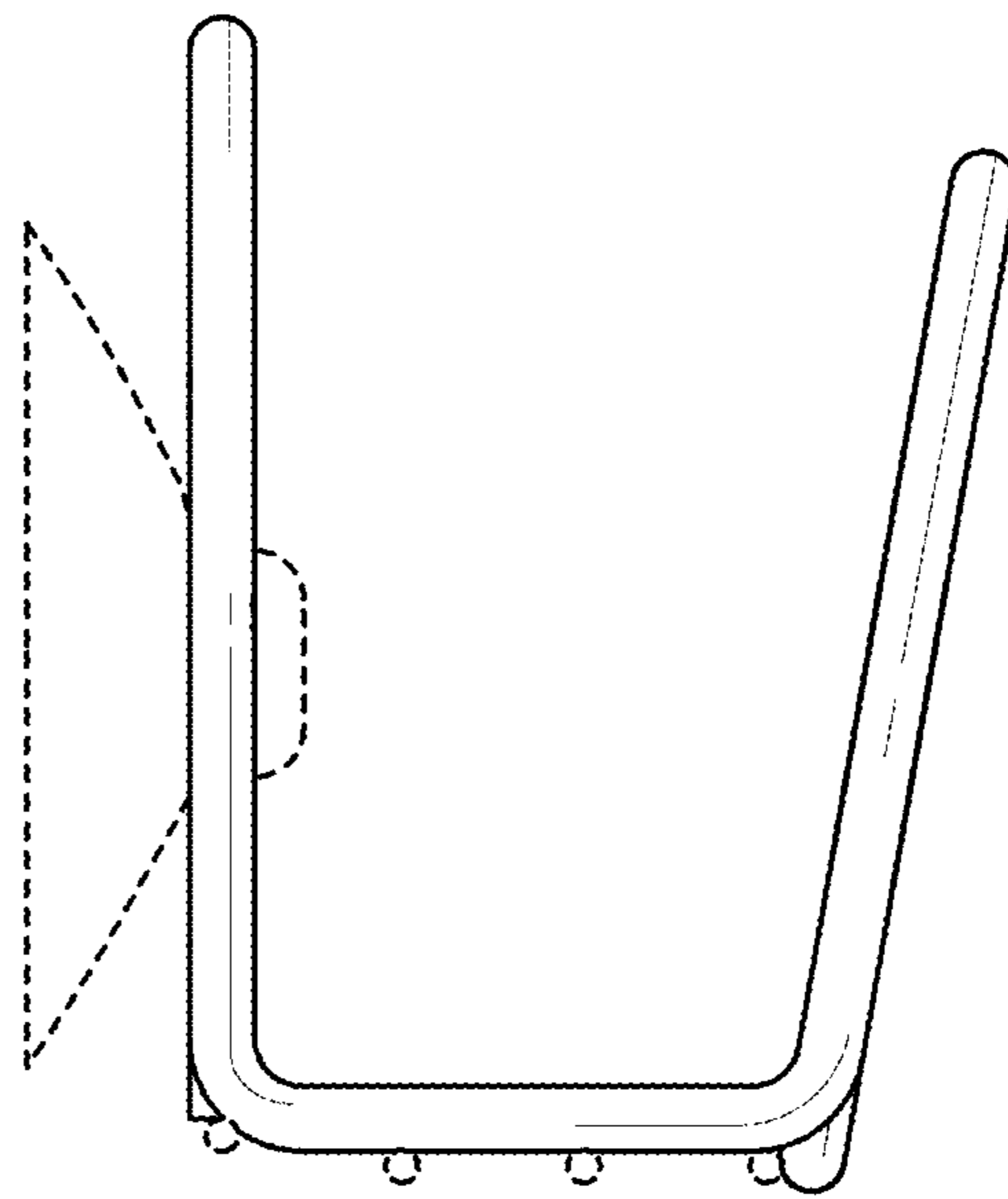


FIG. 5

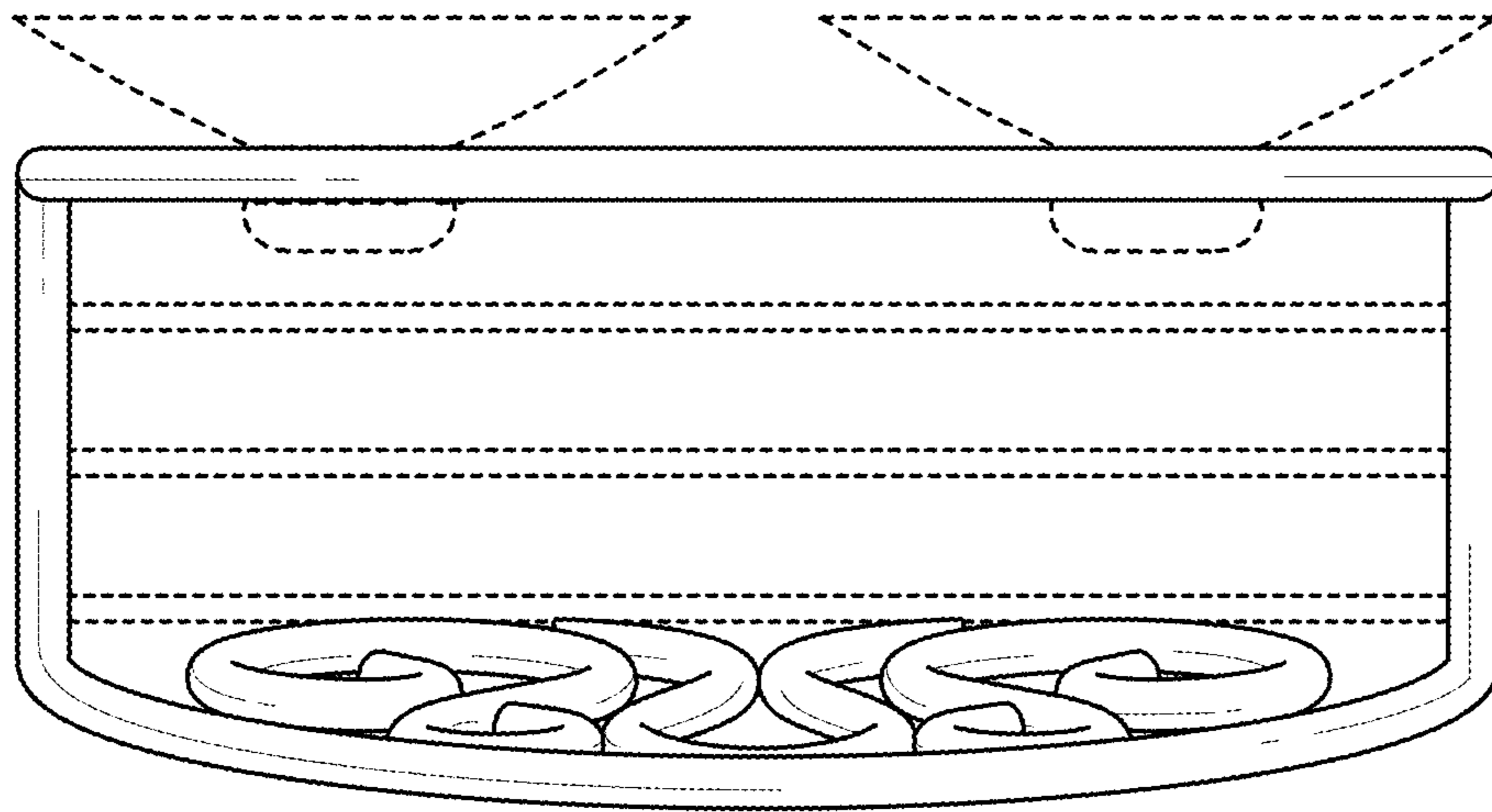


FIG. 6

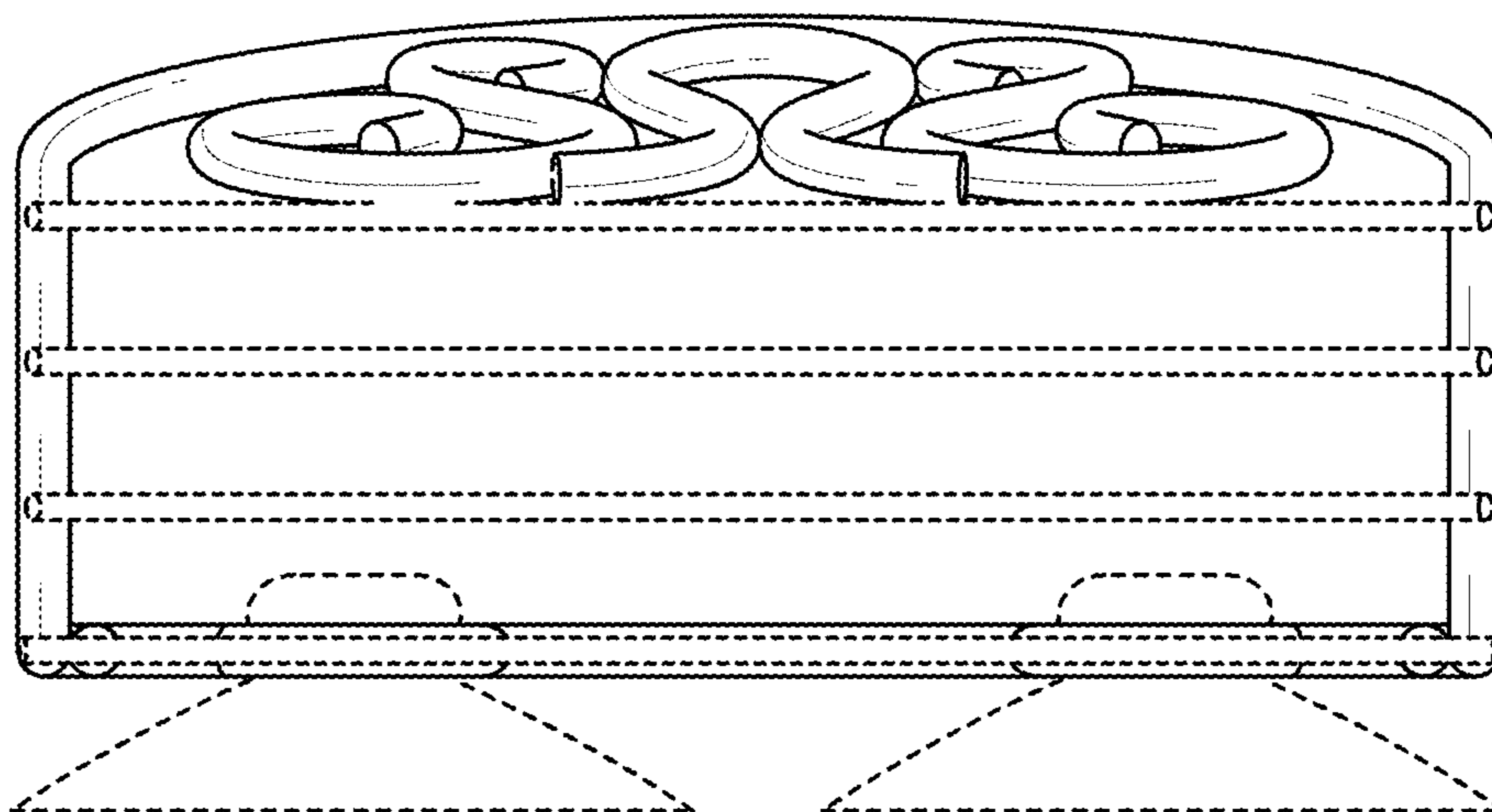


FIG. 7