



US00D795516S

(12) **United States Design Patent** (10) **Patent No.:** **US D795,516 S**
Maitland et al. (45) **Date of Patent:** **** Aug. 22, 2017**

(54) **SPONGE CLEANING AND DISINFECTING DEVICE**

(71) Applicant: **SpongeBath LLC**, Astoria, NY (US)

(72) Inventors: **Tod Maitland**, New York, NY (US);
Matthew Flannery, Astoria, NY (US);
Peter Schon, New York, NY (US);
Joseph Logan, Clinton, CT (US)

(73) Assignee: **SpongeBath LLC**, Astoria, NY (US)

(**) Term: **15 Years**

(21) Appl. No.: **29/594,188**

(22) Filed: **Feb. 16, 2017**

Related U.S. Application Data

(62) Division of application No. 29/500,556, filed on Aug. 26, 2014, now Pat. No. Des. 782,913.

(51) **LOC (10) Cl.** **08-99**

(52) **U.S. Cl.**
USPC **D32/35**

(58) **Field of Classification Search**
USPC D32/35, 40-44; 34/143, 144, 146;
100/104, 110; D30/158, 159; 15/260,
15/261
CPC F24B 5/11; F24B 5/14; F24B 9/04
See application file for complete search history.

(56) **References Cited**

U.S. PATENT DOCUMENTS

962,603 A	6/1910	Walker
D162,208 S	2/1951	Miller
3,276,064 A	10/1966	Moore
D234,115 S	1/1975	Watson
D406,680 S	3/1999	Hakker
D456,575 S	4/2002	Celia et al.

D593,269 S *	5/2009	Weiler	D32/53
7,892,485 B1	2/2011	Flannery et al.		
D671,281 S	11/2012	Singer		
D708,805 S *	7/2014	Mehdizadeh	D32/40
D718,509 S *	11/2014	Connelly	D32/53
D779,140 S *	2/2017	Lim	D32/35
D783,913 S *	4/2017	Maitland	D32/35

OTHER PUBLICATIONS

<http://www.goodhousekeeping.com/home/cleaning/a32197/spongebath-spong...> Page crawled on Jul. 29, 2016.*

* cited by examiner

Primary Examiner — Susan Bennett Hattan

Assistant Examiner — Rebecca Tsehaye

(74) *Attorney, Agent, or Firm* — Gerry J. Elman; Elman Technology Law, P.C.

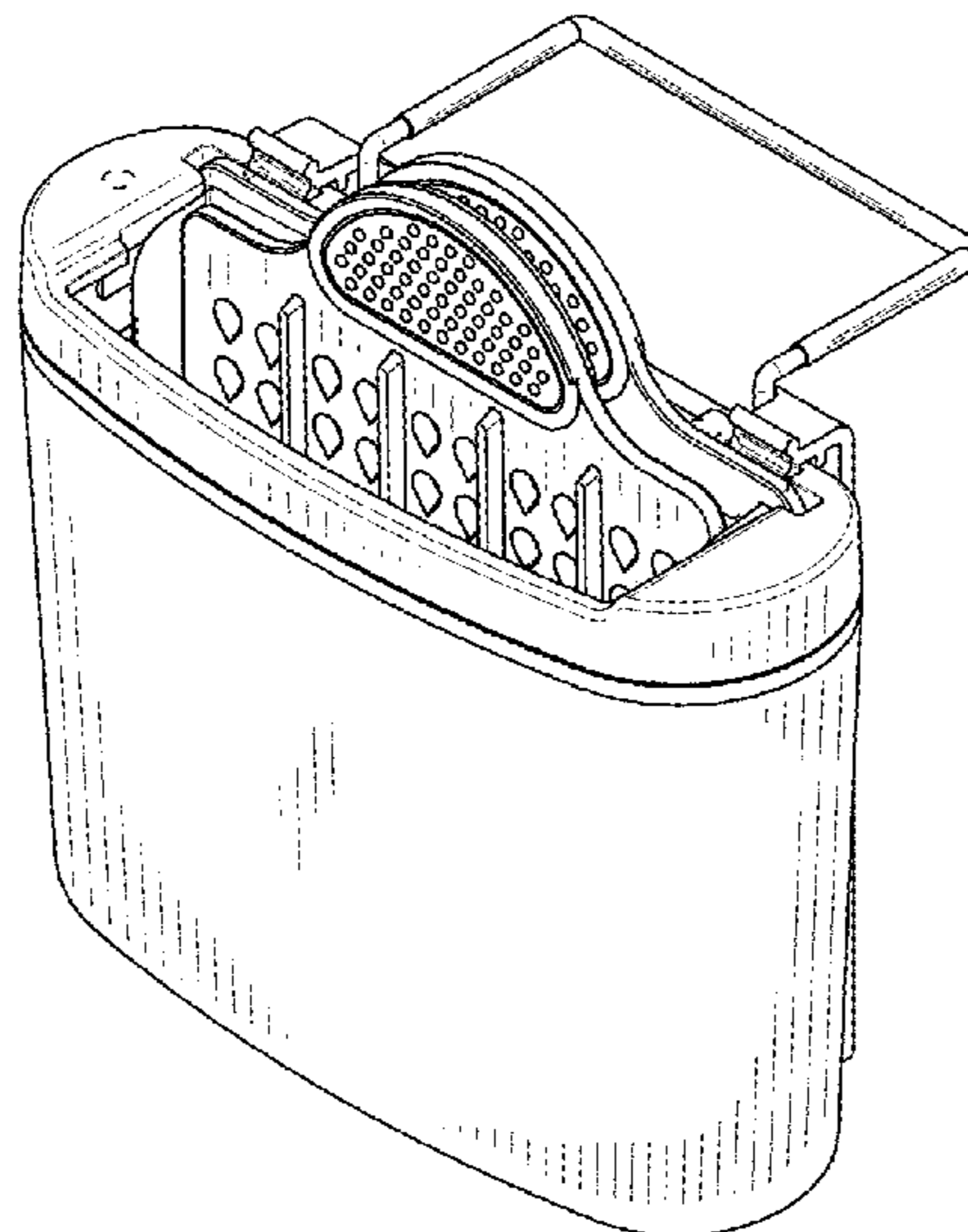
(57) **CLAIM**

We claim the ornamental design for a sponge cleaning and disinfecting device, as shown and described.

DESCRIPTION

FIG. 1 is an isometric view of the sponge cleaning and disinfecting device showing the new design. FIG. 2 is a front elevation view showing the new design. FIG. 3 is a rear elevation view showing the new design. FIG. 4 is a left side elevation view showing the new design. FIG. 5 is a right side elevation view showing the new design. FIG. 6 is a plan view showing the top of the new design; and, FIG. 7 is a plan view showing the bottom of the new design. The broken lines shown in the drawings represent portions of the sponge cleaning and disinfecting device which form no part of the claimed design. Apparatus for compressing and immersing a sponge in liquid disinfectant.

1 Claim, 4 Drawing Sheets



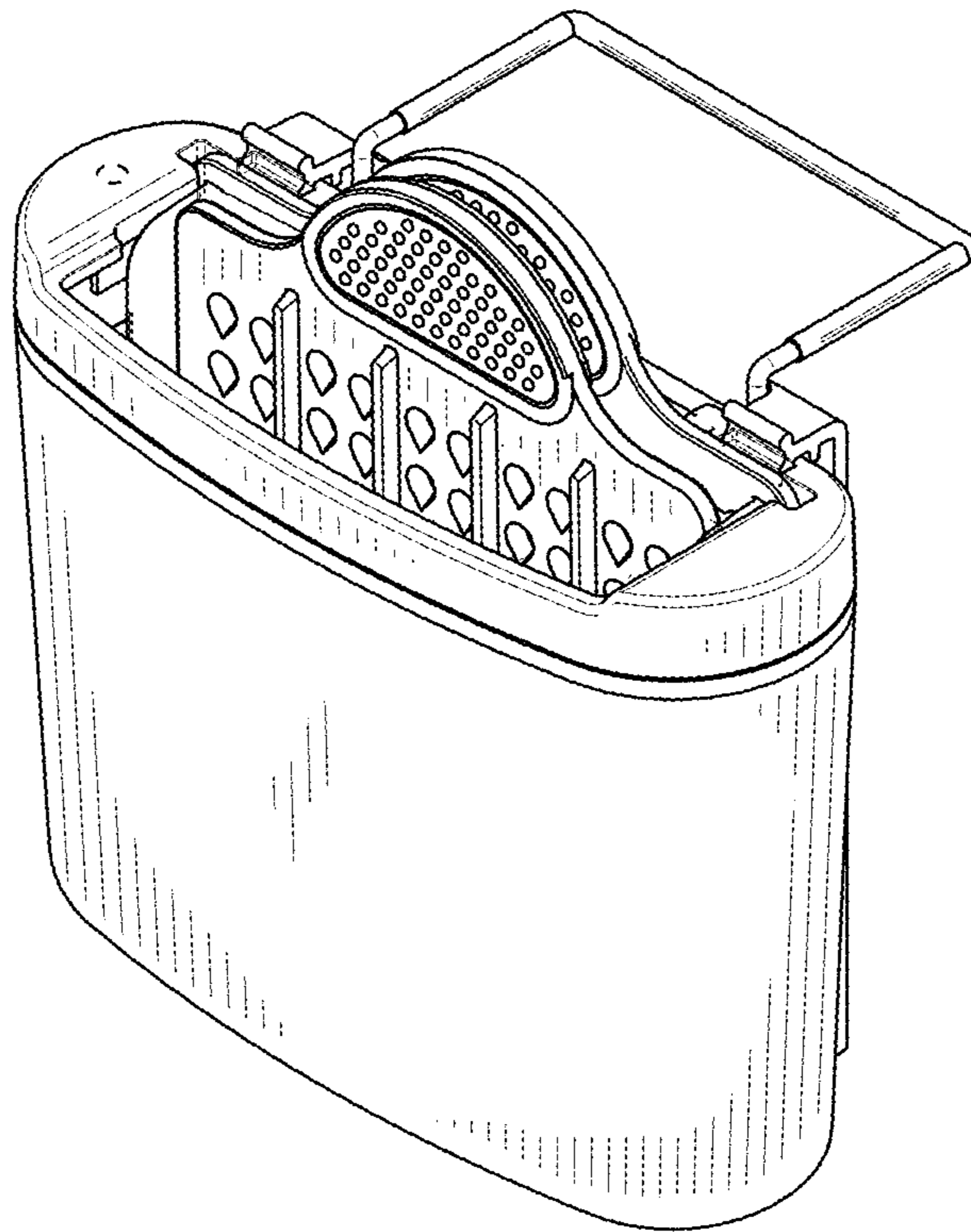


FIG. 1

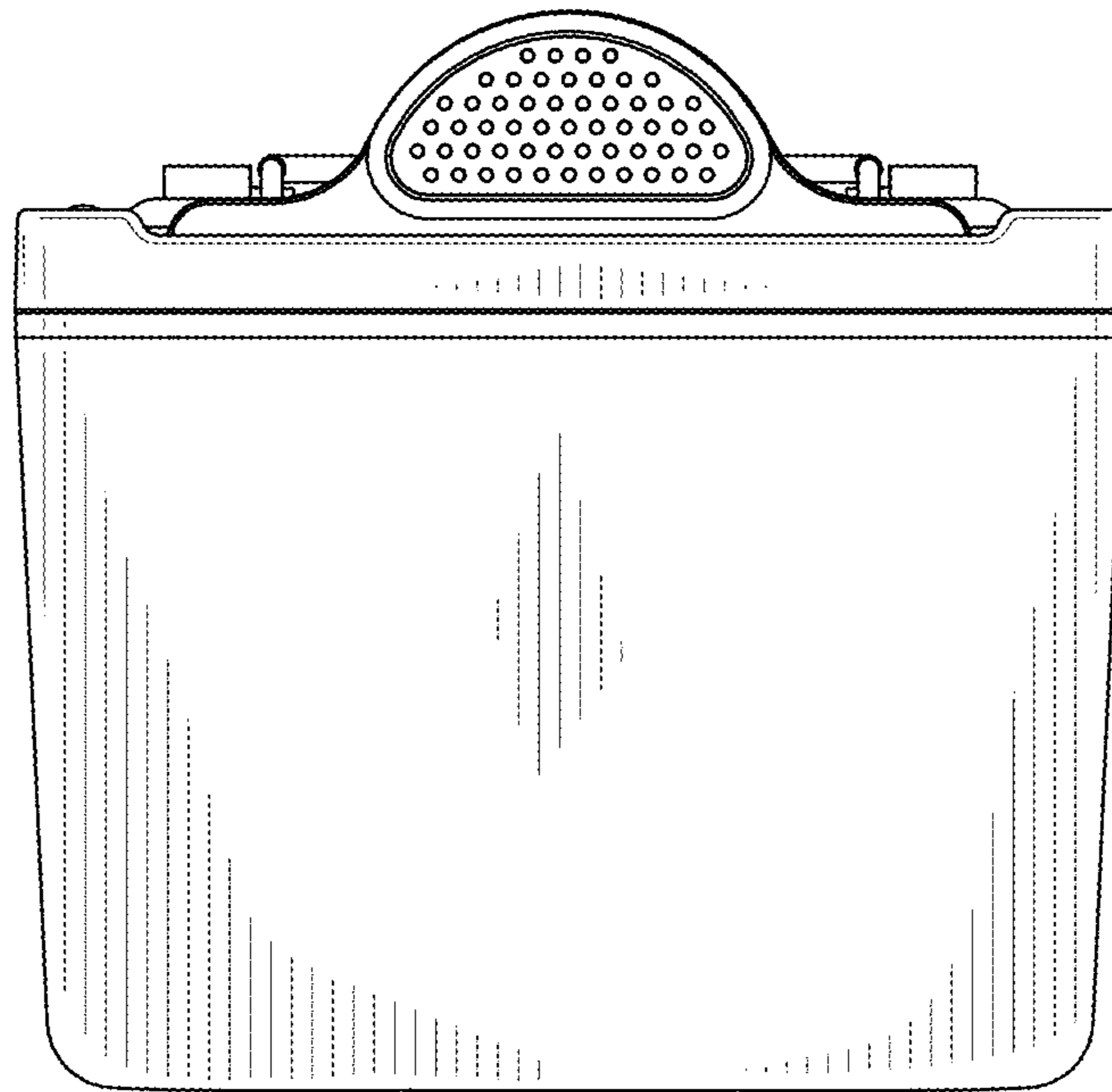


FIG. 2

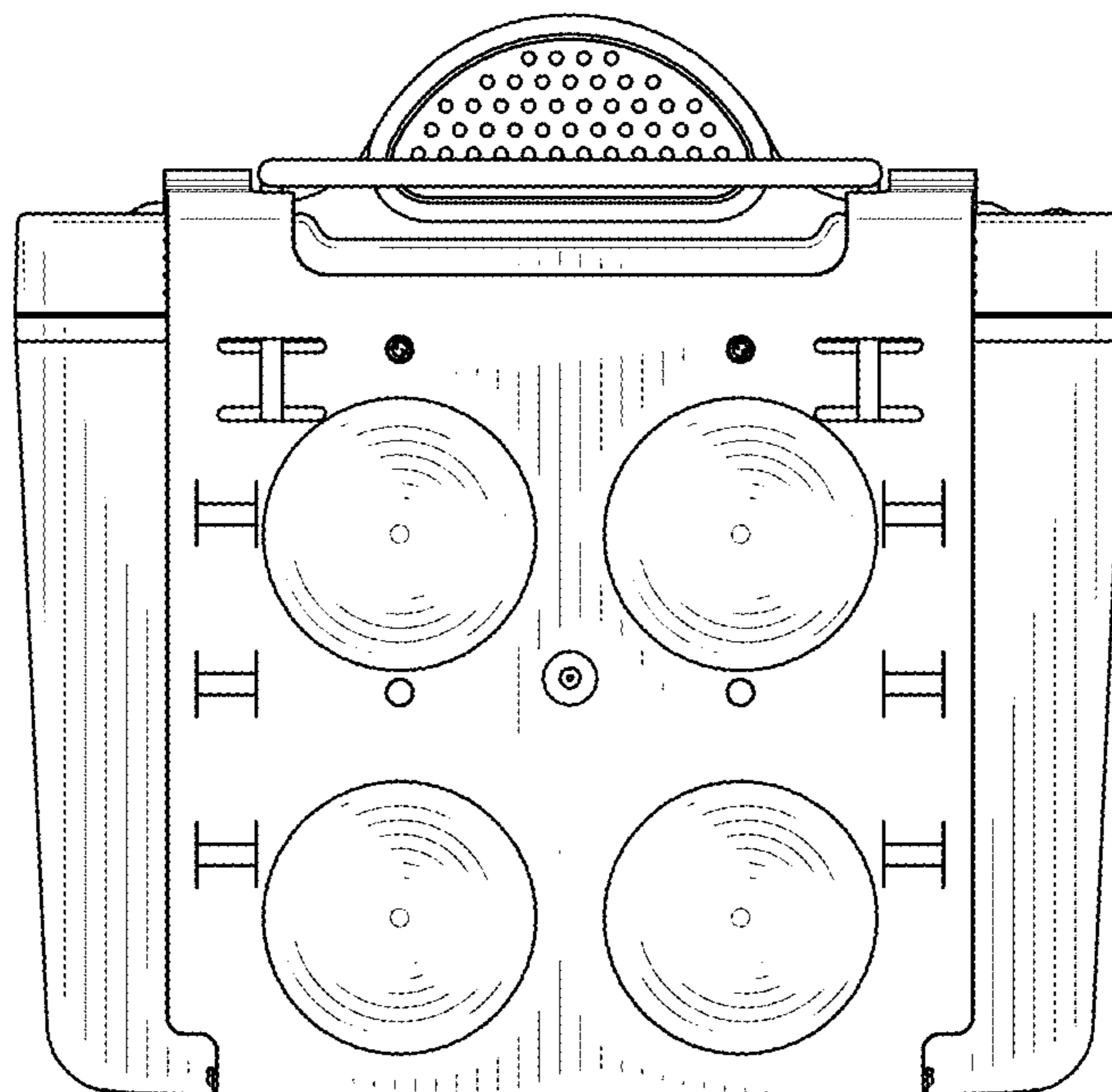


FIG. 3

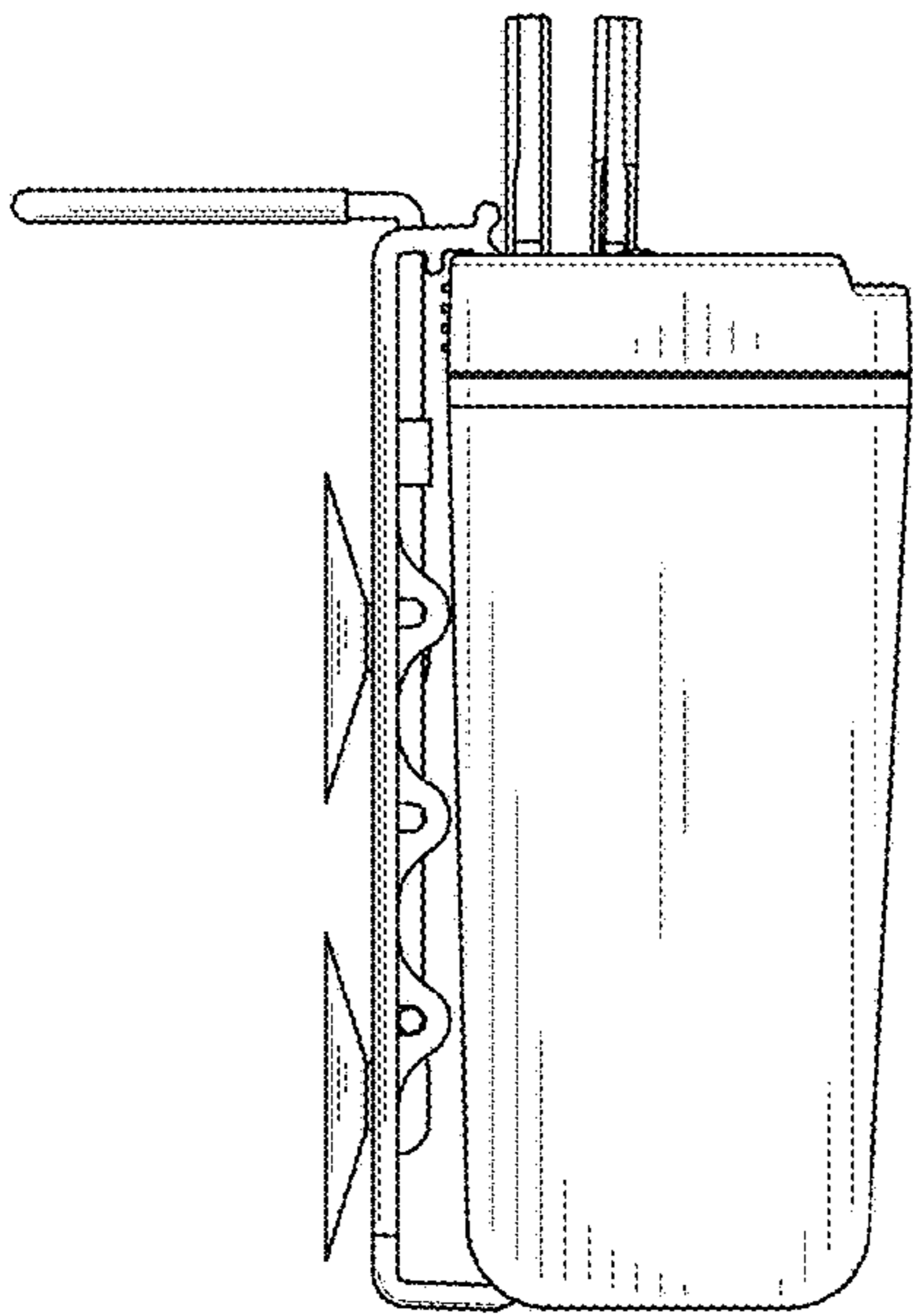


FIG. 4

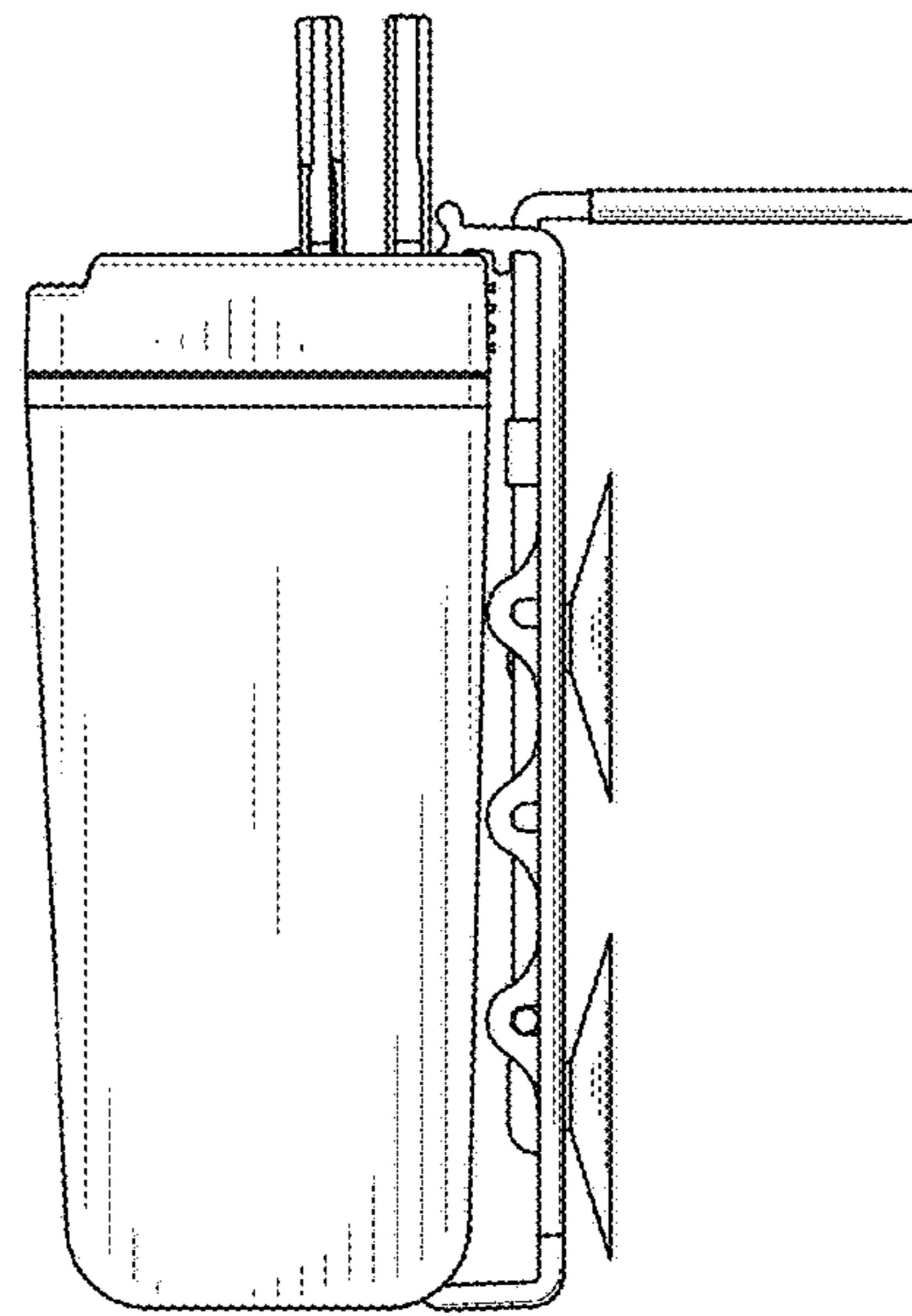


FIG. 5

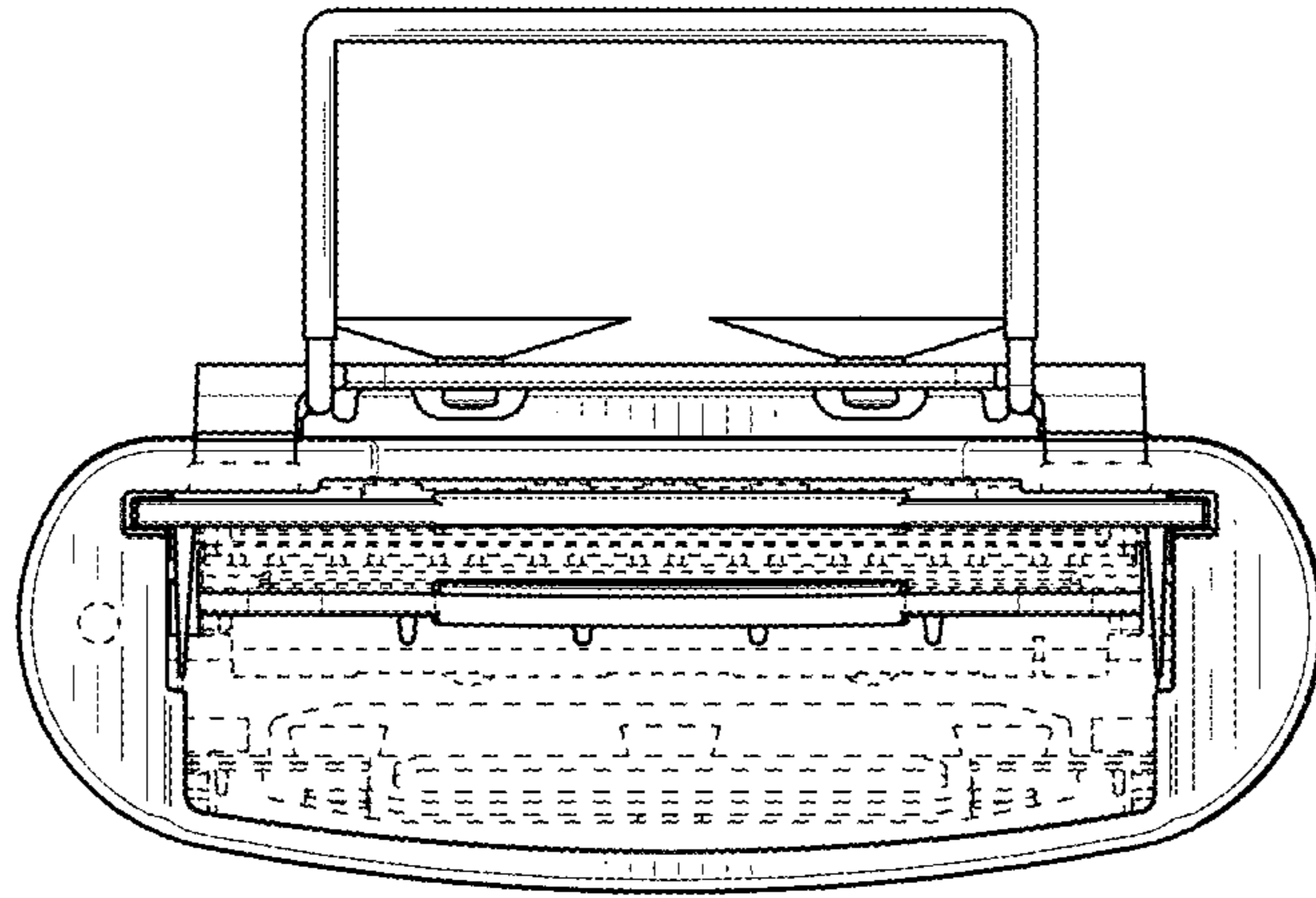


FIG. 6

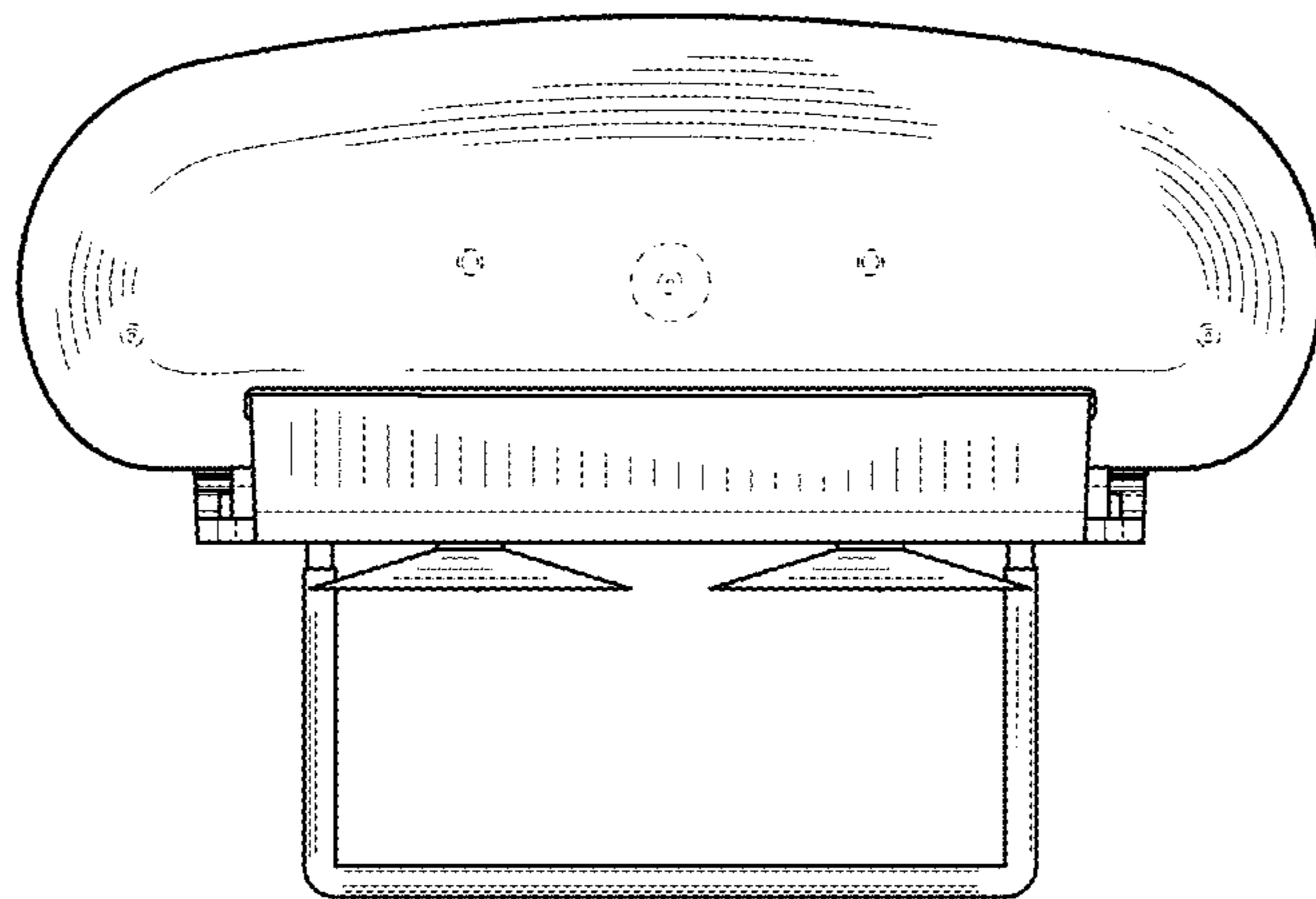


FIG. 7