



US00D795515S

(12) **United States Design Patent**
Cole

(10) **Patent No.:** **US D795,515 S**

(45) **Date of Patent:** **** Aug. 22, 2017**

(54) **FABRIC CARE DEVICE**

(71) Applicant: **Gleener Marketing Inc.**, Montréal (CA)

(72) Inventor: **Kim Cole**, Montréal (CA)

(73) Assignee: **Gleener Marketing Inc.**, Montreal (CA)

(**) Term: **15 Years**

(21) Appl. No.: **29/548,146**

(22) Filed: **Dec. 10, 2015**

(51) **LOC (10) Cl.** **15-05**

(52) **U.S. Cl.**
USPC **D32/35**

(58) **Field of Classification Search**
USPC D32/35, 40, 46, 48; D4/137, 117, 118, D4/122; D28/44-54
CPC A47L 25/08; A47L 13/255; A47L 13/00; A47L 25/005; A47K 10/38; A46B 17/04; A46B 9/02; A46B 5/0016; A46B 7/04; A01D 7/00; A01K 13/002
See application file for complete search history.

(56) **References Cited**

U.S. PATENT DOCUMENTS

- 2,934,810 A * 5/1960 Kanbar D06C 29/00
15/104.001
- 3,471,977 A * 10/1969 Roth A47L 25/08
15/104.002
- 3,474,977 A * 10/1969 Mott, Jr. A47K 10/38
242/560.3
- 3,680,168 A * 8/1972 Krusche A47K 10/38
15/171
- 3,967,338 A * 7/1976 Russell A46B 17/04
15/185
- 4,642,835 A * 2/1987 Schmitz A47L 23/04
15/104.002
- 4,686,731 A * 8/1987 Suzuki A47L 25/08
132/76.4

- 5,036,561 A * 8/1991 Calafut A47L 25/08
15/104.002
- 5,467,590 A * 11/1995 Mencarelli A01D 7/00
16/430
- 5,575,031 A * 11/1996 Chai A47L 25/08
15/104.001
- D389,619 S * 1/1998 McLeod D32/35

(Continued)

Primary Examiner — Michael A. Pratt

Assistant Examiner — Michelle E Wilson

(74) *Attorney, Agent, or Firm* — Foley & Lardner LLP

(57) **CLAIM**

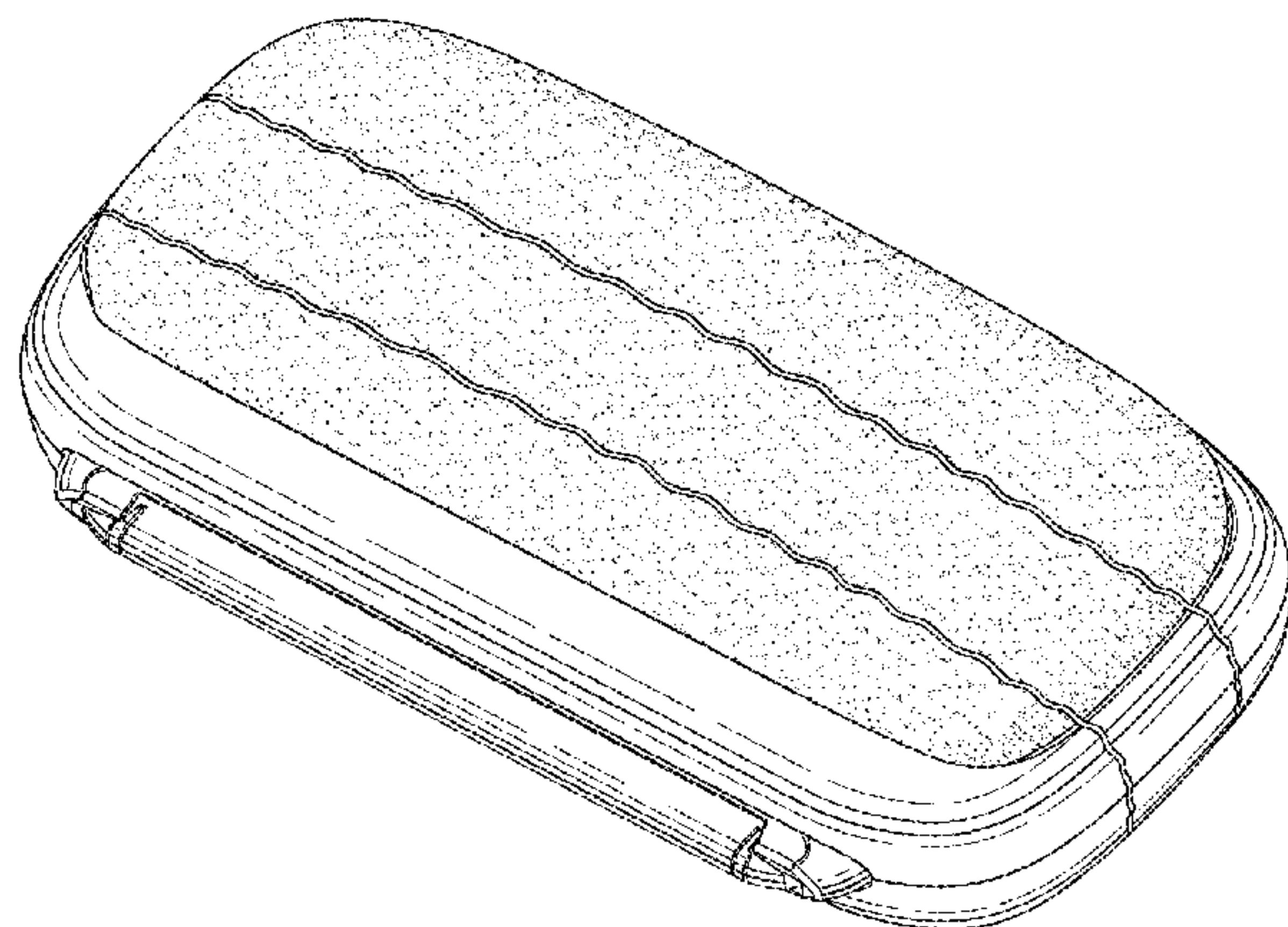
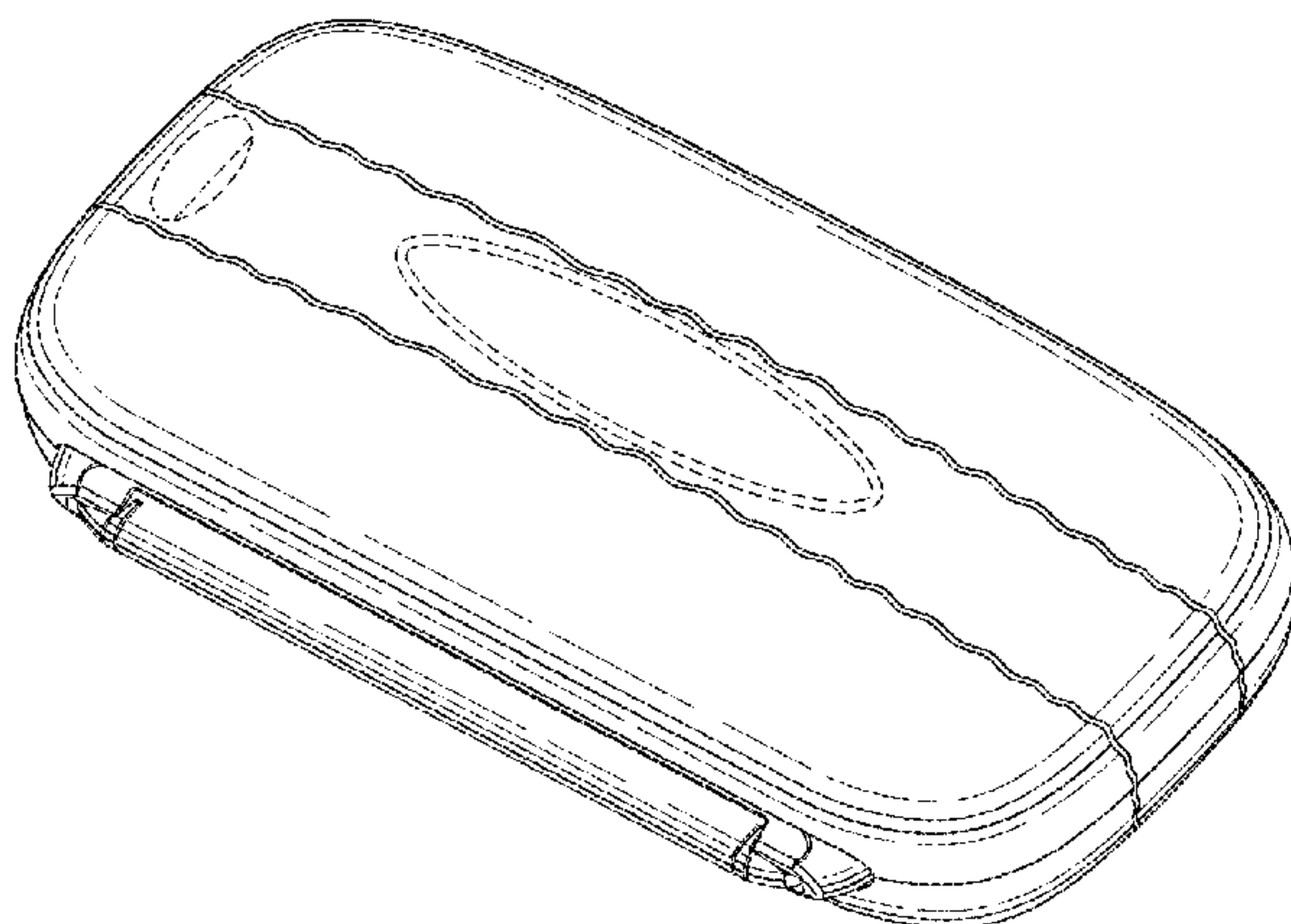
I claim the ornamental design for a fabric care device, as shown and described.

DESCRIPTION

FIG. 1 is a top perspective view of a first embodiment of the claimed design;
 FIG. 2 is a bottom perspective view thereof;
 FIG. 3 is a front elevation view thereof;
 FIG. 4 is a top plan view thereof;
 FIG. 5 is a right side elevation view thereof;
 FIG. 6 is a left side elevation view thereof;
 FIG. 7 is a rear elevation view thereof;
 FIG. 8 is a bottom plan view thereof;
 FIG. 9 is a top perspective view of a second embodiment of the claimed design;
 FIG. 10 is a bottom perspective view thereof;
 FIG. 11 is a front elevation view thereof;
 FIG. 12 is a top plan view thereof;
 FIG. 13 is a right side elevation view thereof;
 FIG. 14 is a left side elevation view thereof;
 FIG. 15 is a rear elevation view thereof; and,
 FIG. 16 is a bottom plan view thereof.

The broken away symbols in the drawings indicate that any portion of the article beyond what is shown forms no part of the claimed design.

1 Claim, 6 Drawing Sheets



(56)

References Cited

U.S. PATENT DOCUMENTS

5,930,862 A * 8/1999 Garrett A46B 9/02
15/142
6,901,622 B2 * 6/2005 Thompson A47L 25/08
15/1.52
7,003,844 B1 * 2/2006 Mosby-Pinkney ... A47L 25/005
15/104.002
7,770,294 B2 * 8/2010 Bruno B26B 21/225
30/50
7,856,690 B2 * 12/2010 Tuman A46B 5/0095
134/6
D654,220 S * 2/2012 Cole D28/45
8,397,338 B2 * 3/2013 Dihn A47L 13/255
15/228
8,683,640 B2 * 4/2014 Cole A46B 7/04
15/104.002
8,850,649 B2 * 10/2014 Tuman A47L 13/00
15/104.001
D775,445 S * 12/2016 Cole D32/35
2004/0148721 A1 * 8/2004 Spaulding A46B 5/0016
15/118
2005/0184099 A1 * 8/2005 McKay A01K 13/002
222/192
2011/0258790 A1 * 10/2011 Cole A46B 7/04
15/1.52

* cited by examiner

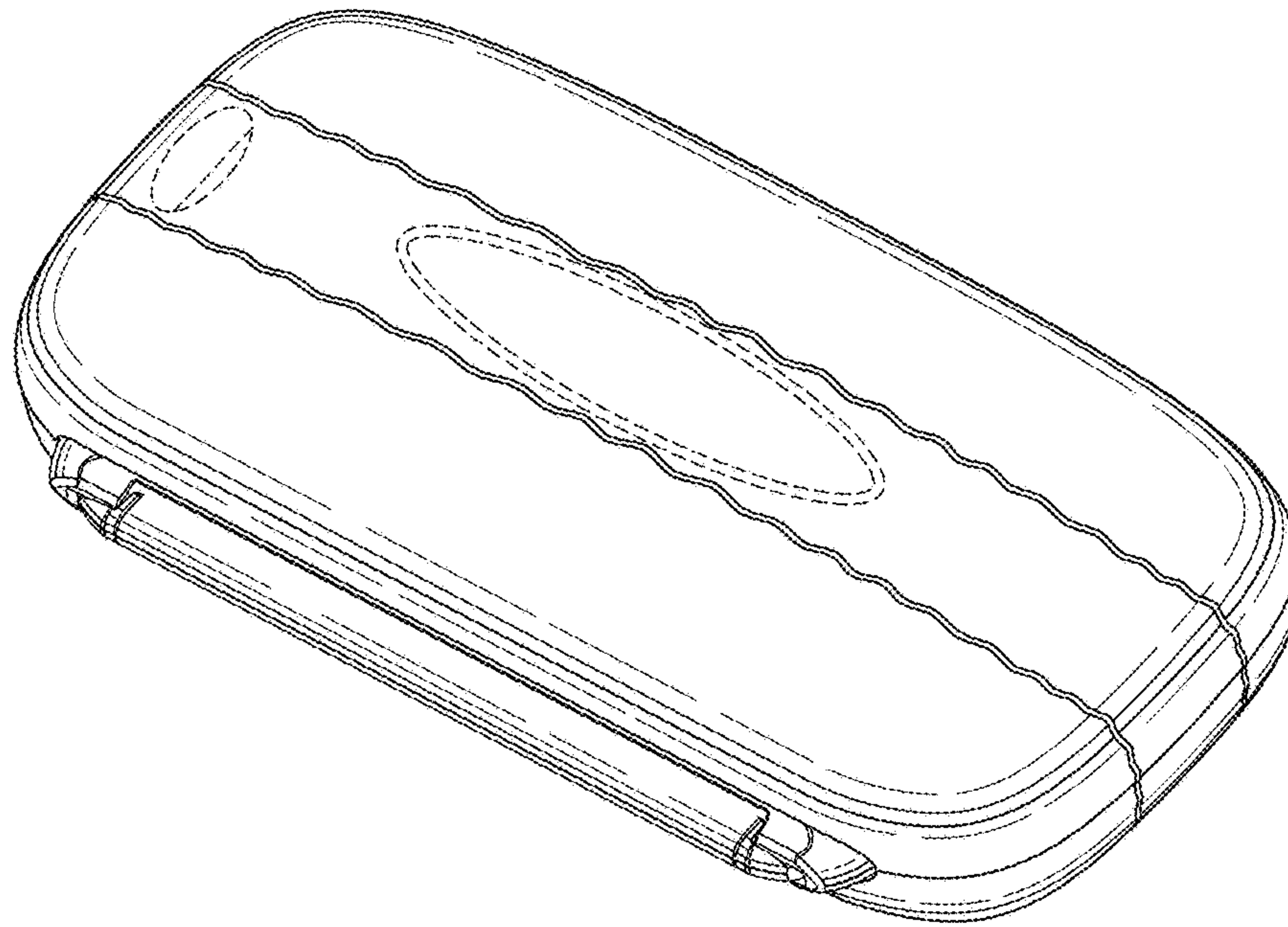


FIG. 1

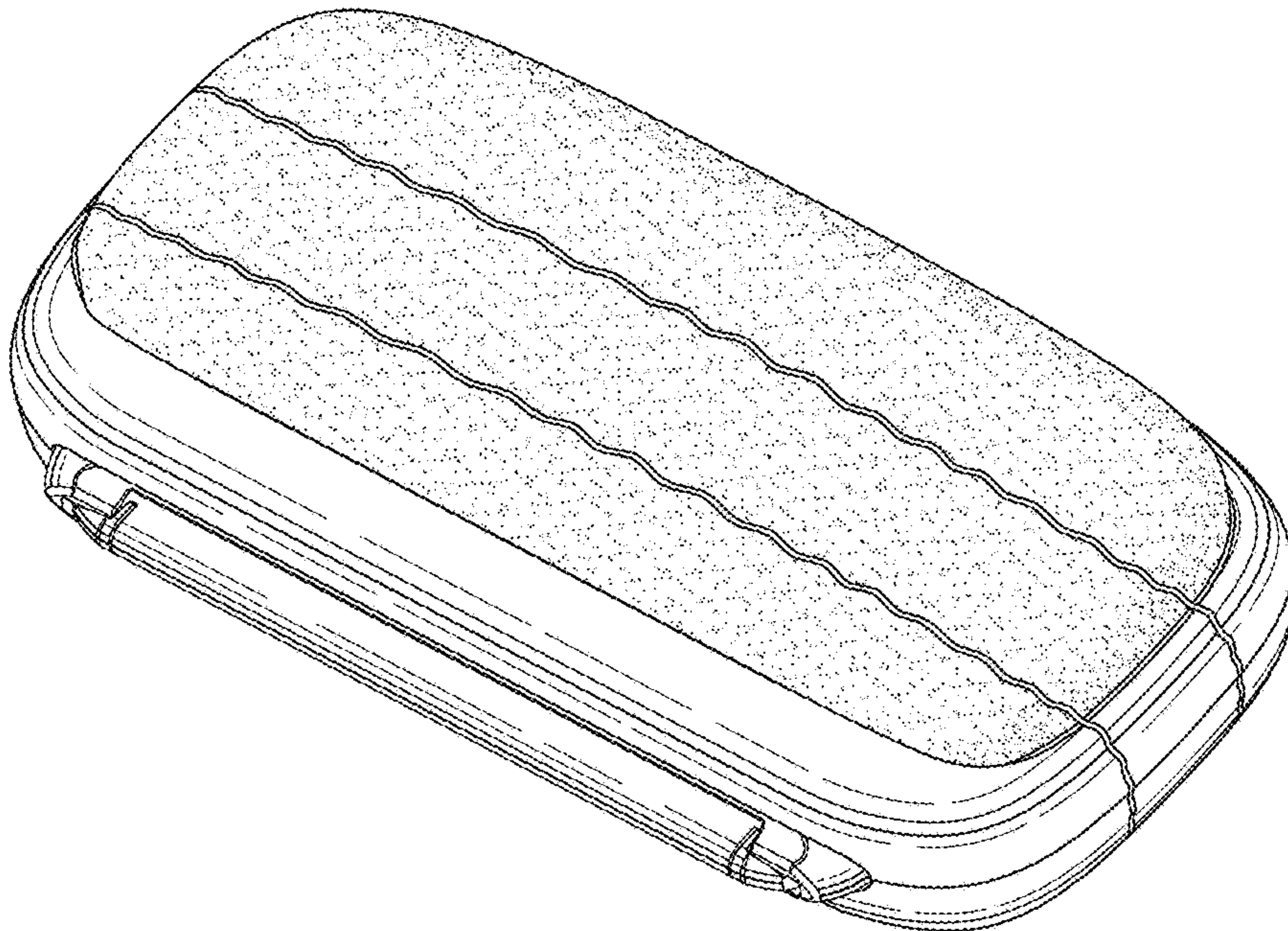


FIG. 2

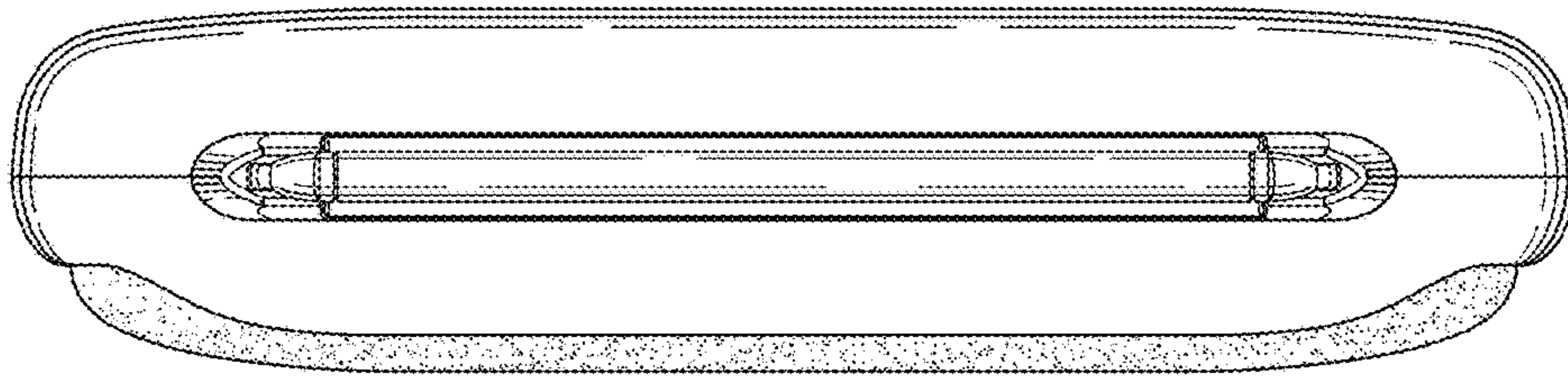


FIG. 3

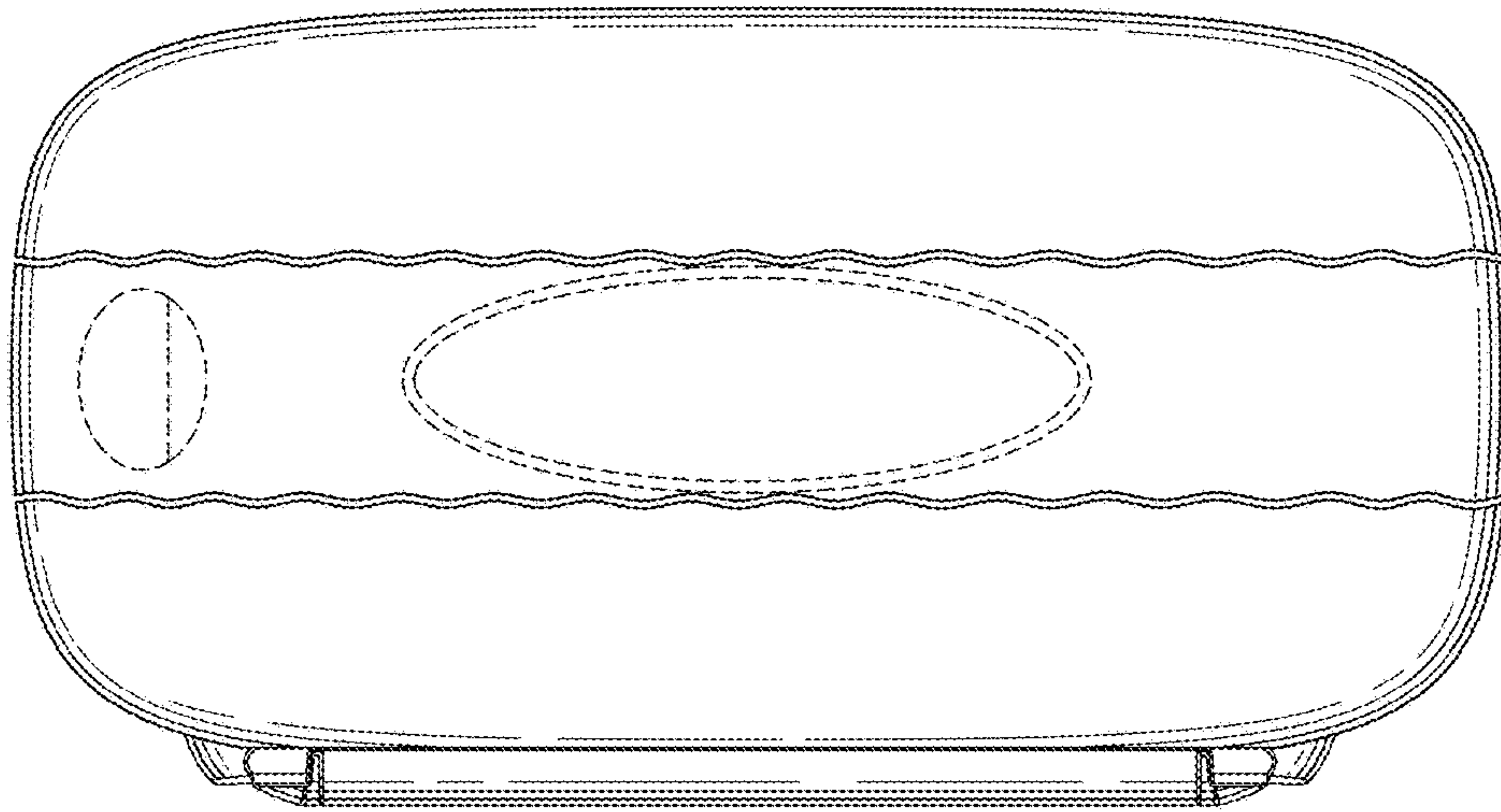


FIG. 4

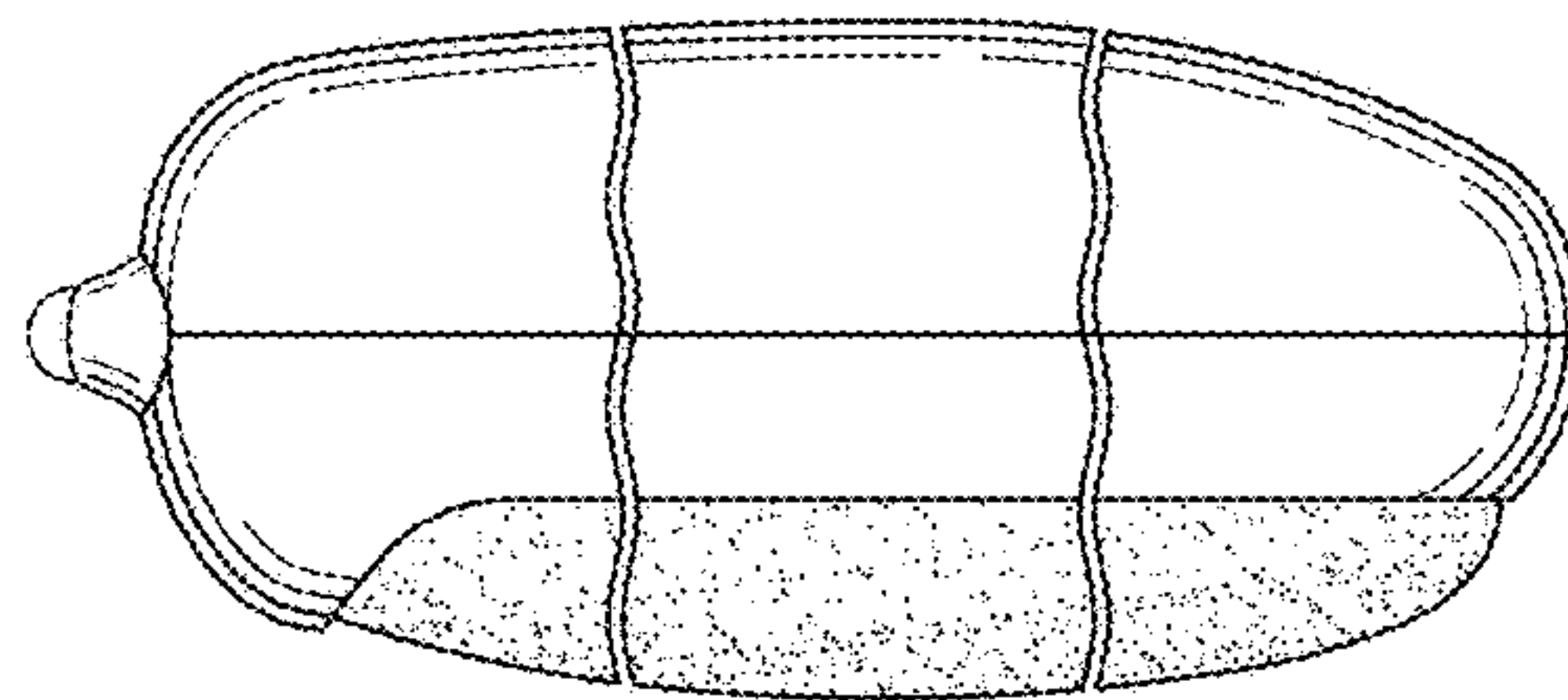


FIG. 5

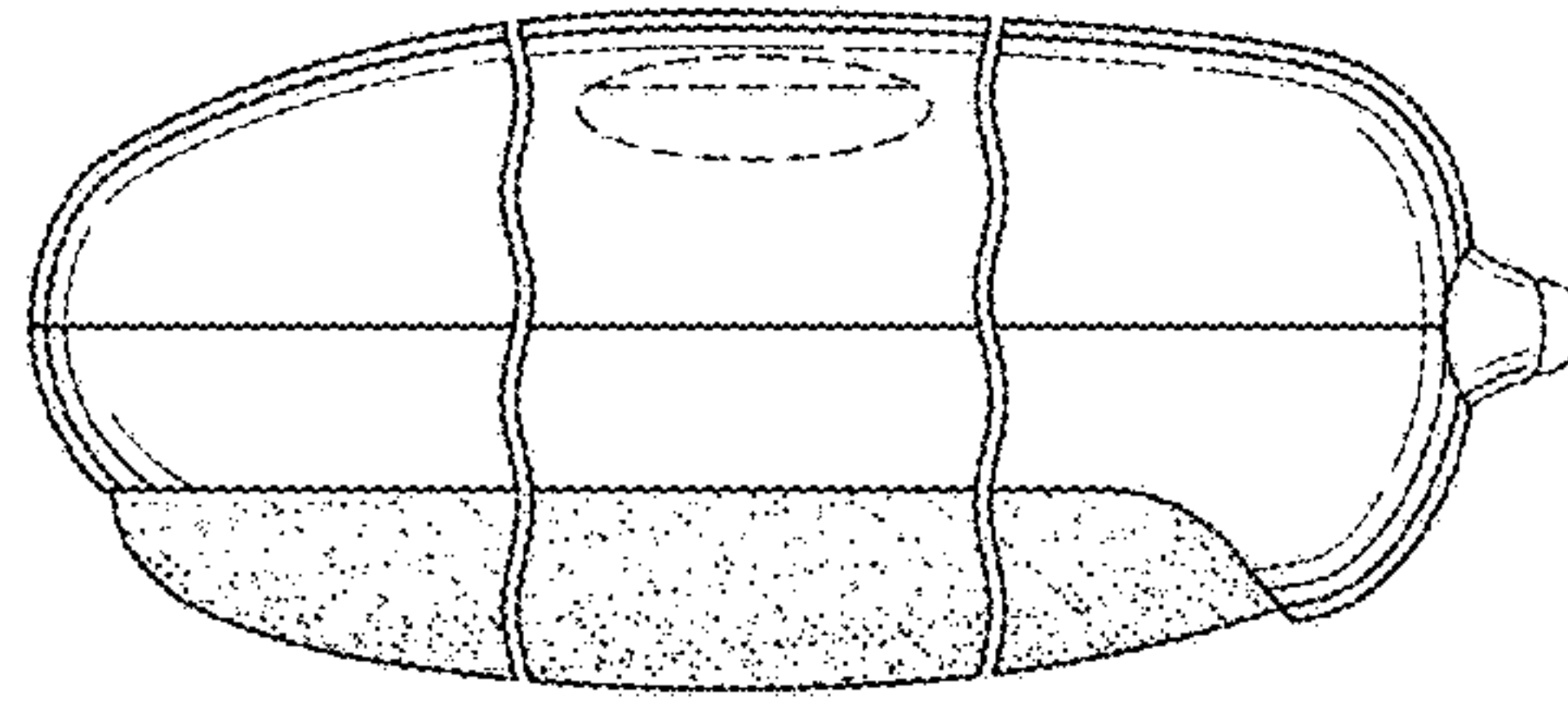


FIG. 6

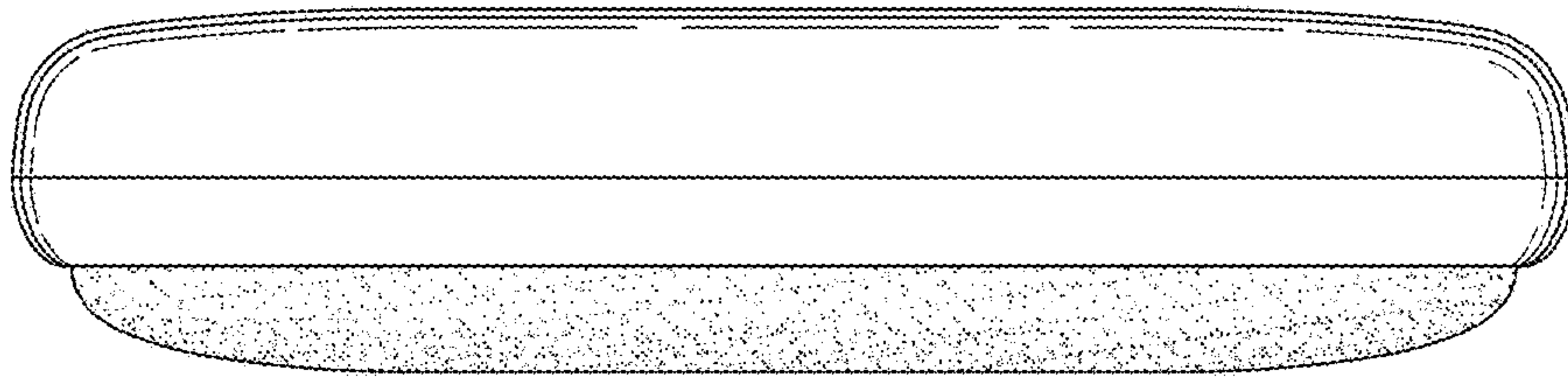


FIG. 7

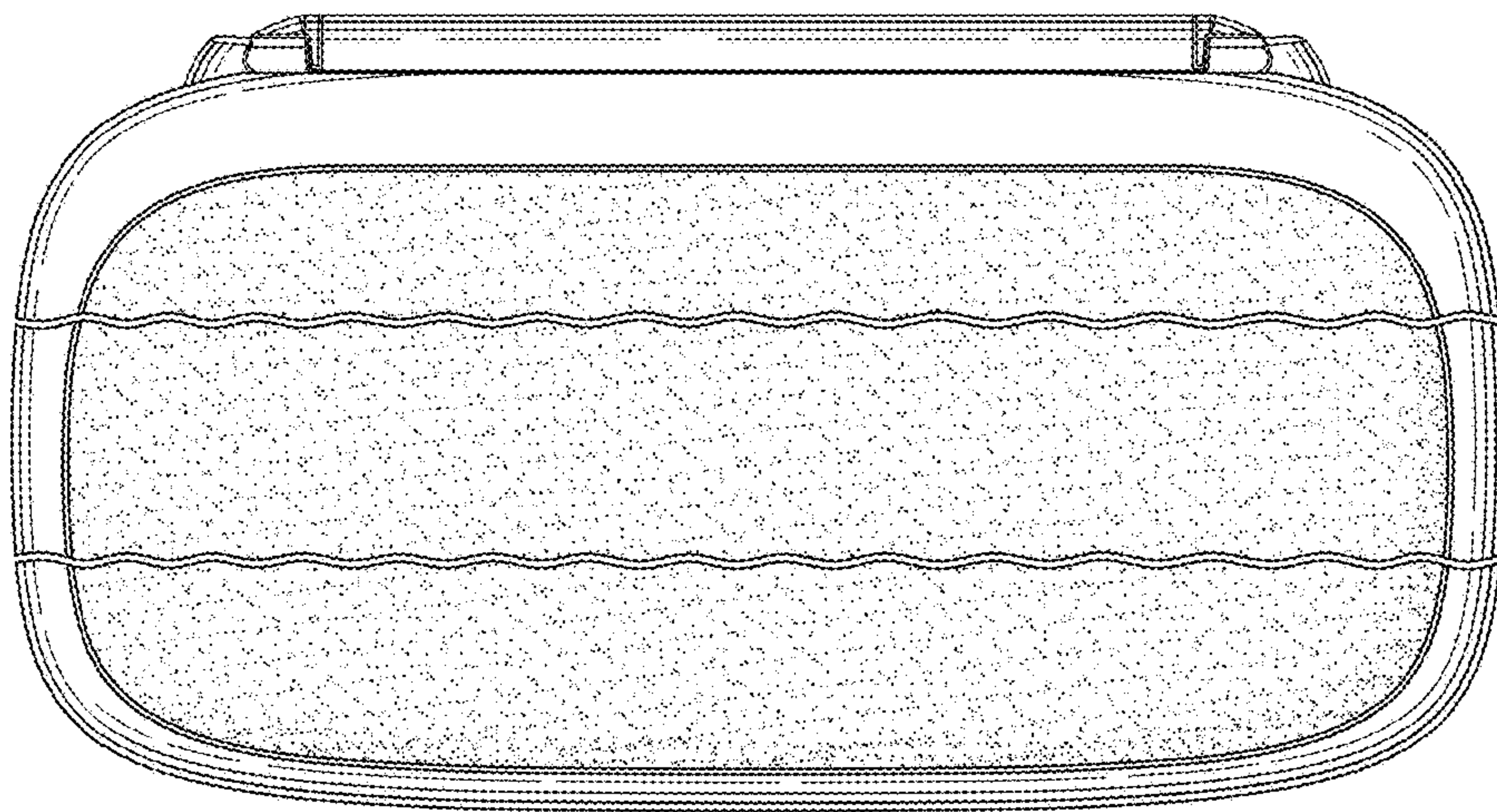


FIG. 8

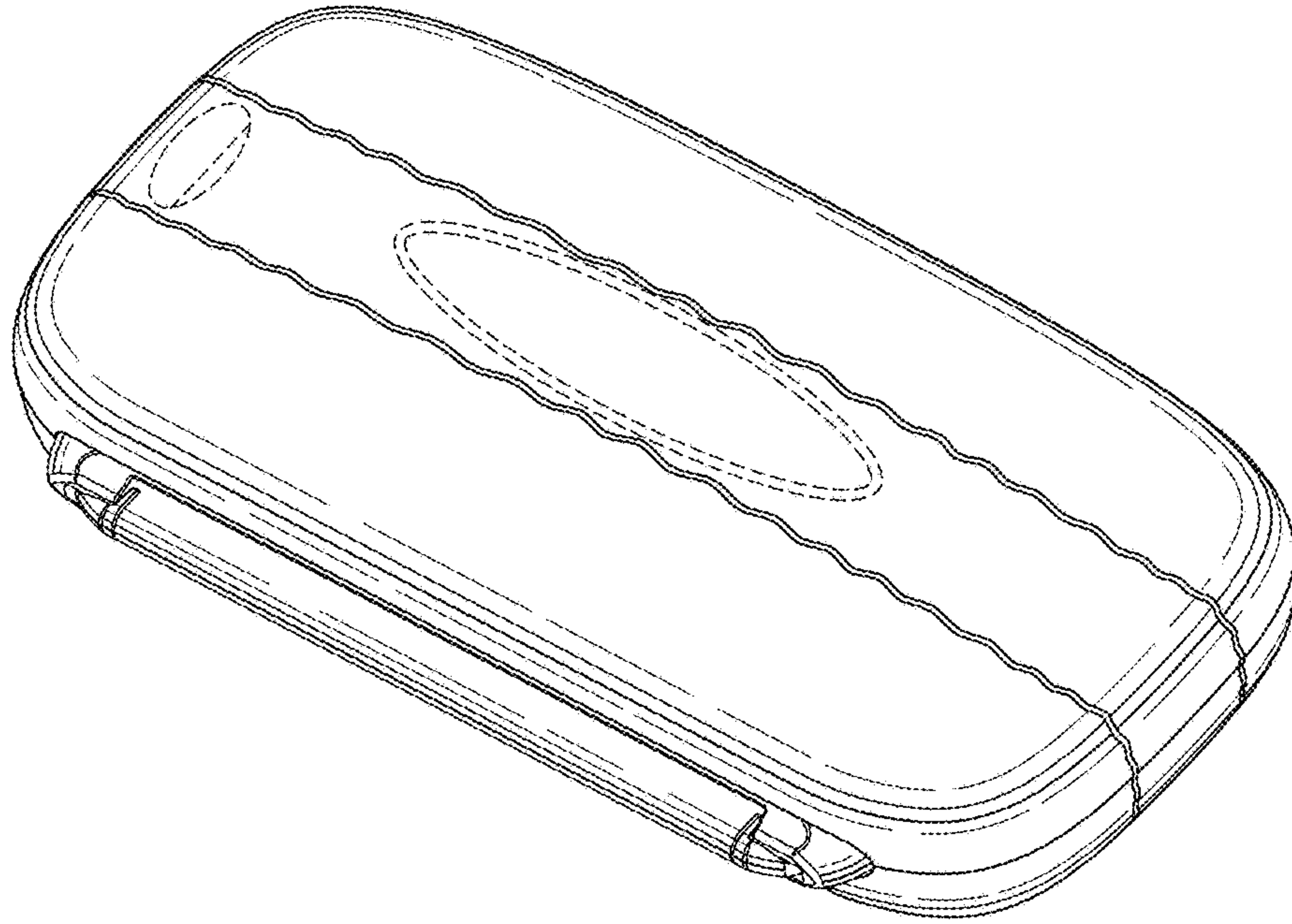


FIG. 9

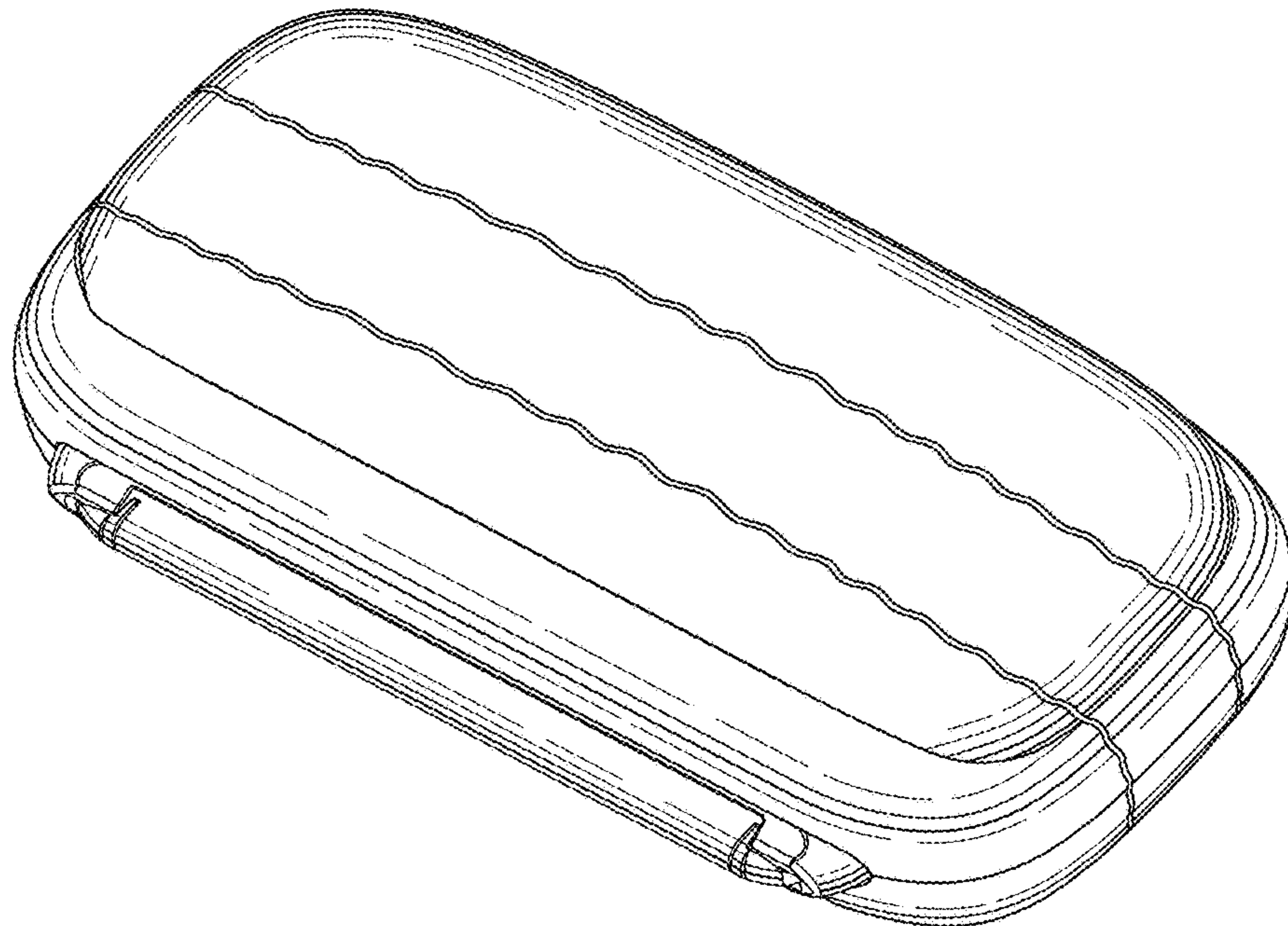


FIG. 10

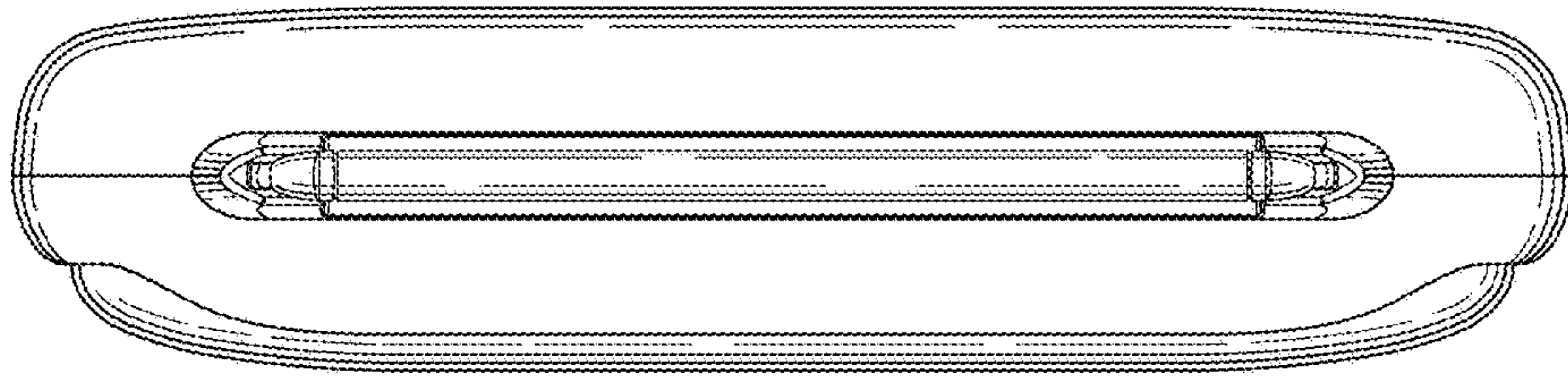


FIG. 11

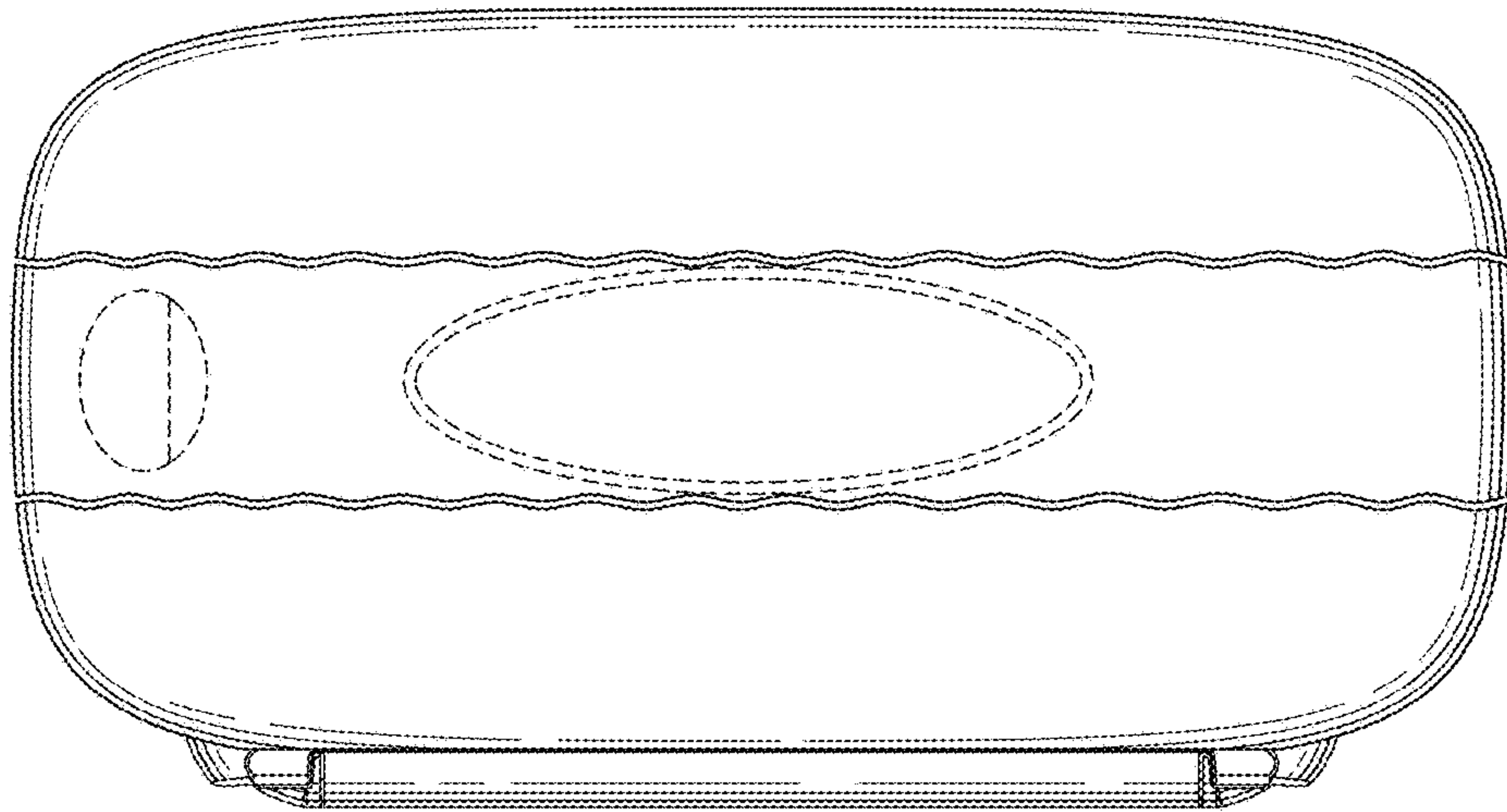


FIG. 12

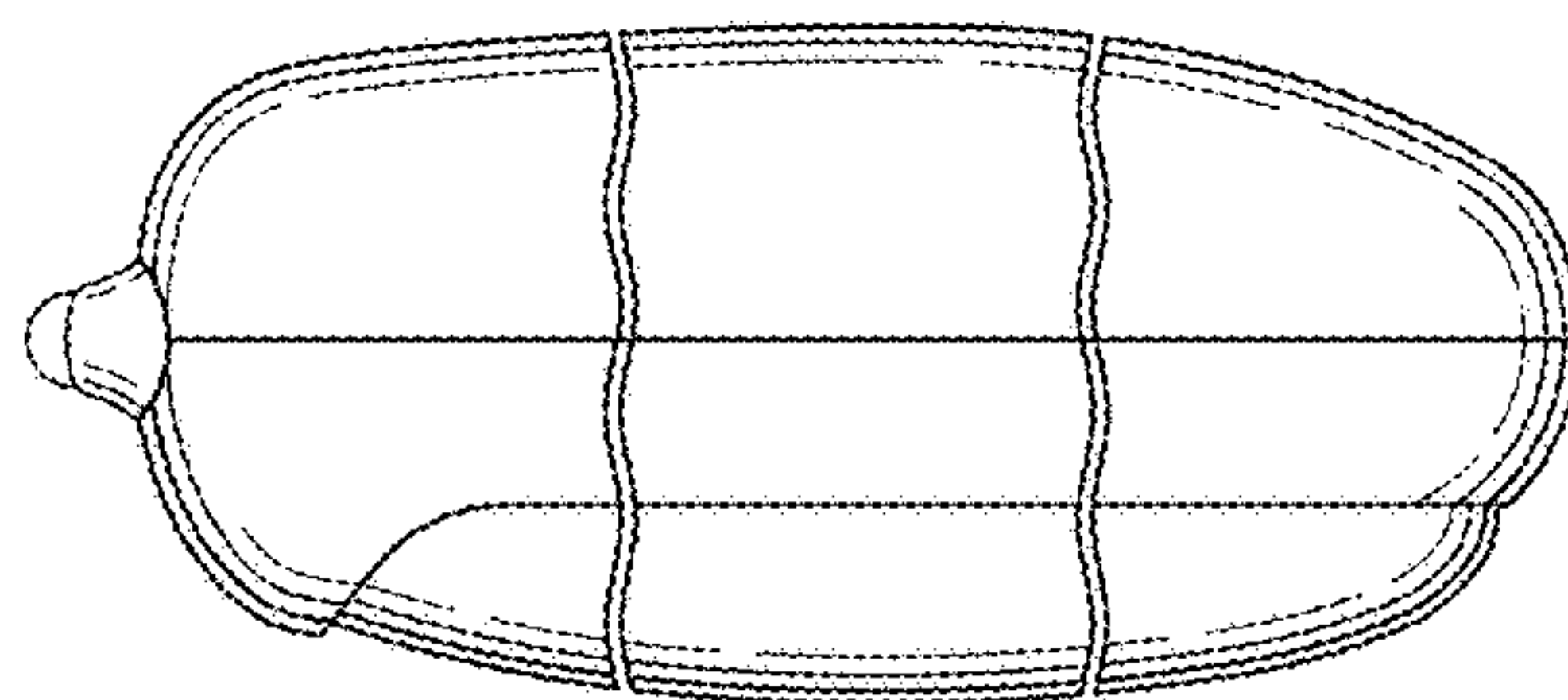


FIG. 13

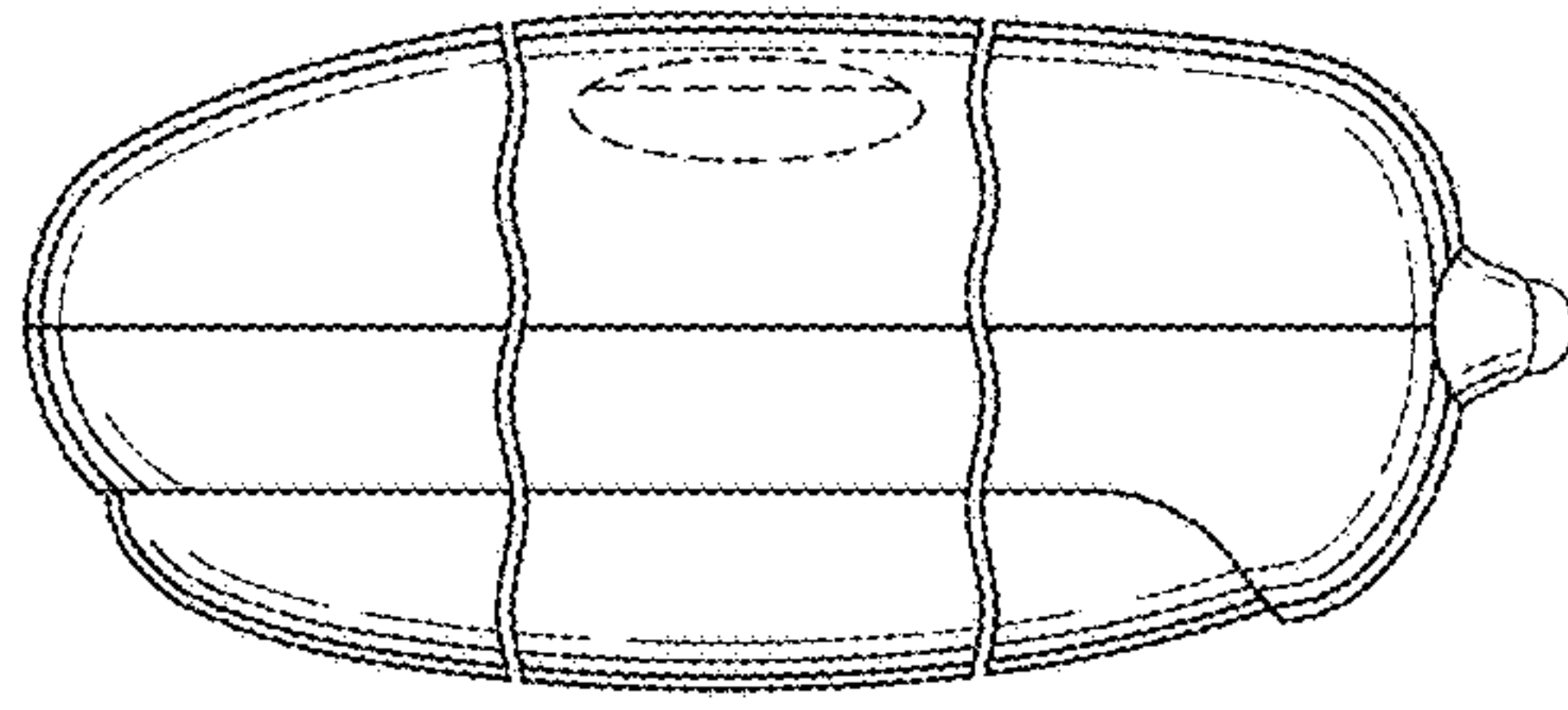


FIG. 14

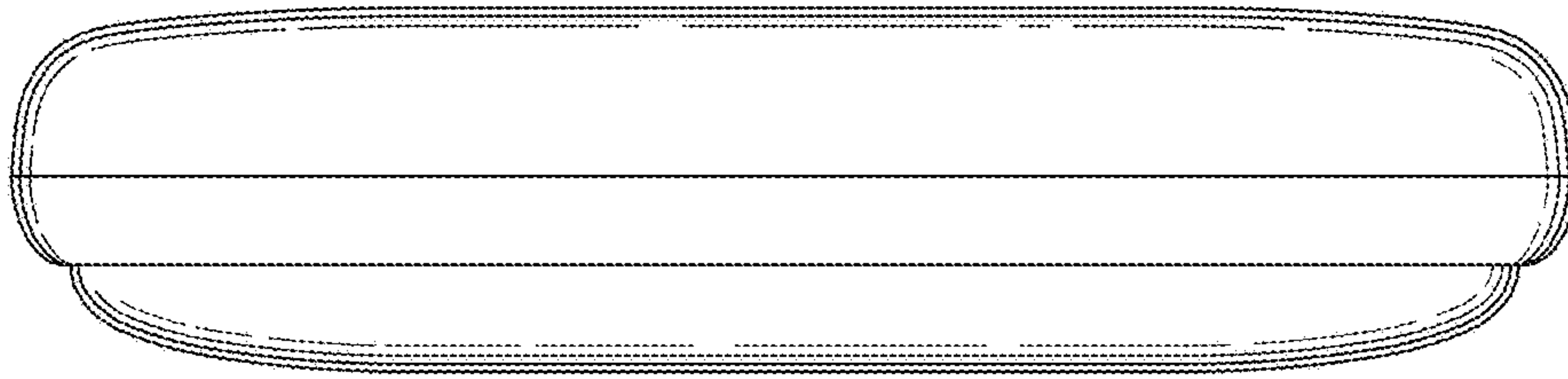


FIG. 15

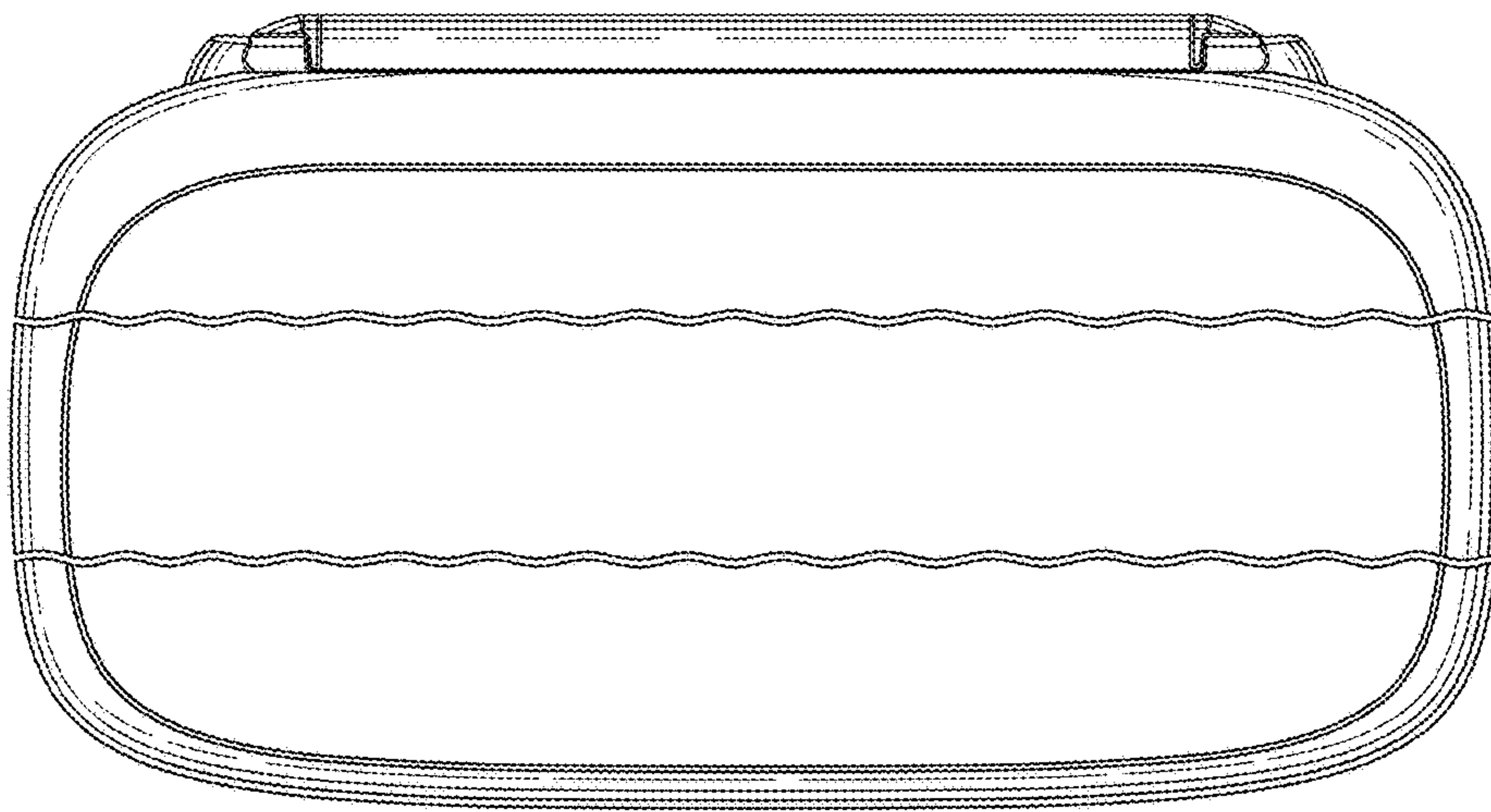


FIG. 16