



US00D795514S

(12) **United States Design Patent**  
**Yoon et al.**

(10) **Patent No.:** **US D795,514 S**

(45) **Date of Patent:** **\*\* Aug. 22, 2017**

(54) **HEAD FOR VACUUM CLEANER**  
(71) Applicant: **SAMSUNG ELECTRONICS CO., LTD.**, Suwon-si (KR)  
(72) Inventors: **Soo Hyun Yoon**, Seoul (KR); **Byeongsoo Kim**, Seoul (KR)  
(73) Assignee: **SAMSUNG ELECTRONICS CO., LTD.**, Gyeonggi-Do (KR)

D497,694 S \* 10/2004 Wareham ..... D32/19  
D536,495 S \* 2/2007 Porter ..... D32/32  
D537,220 S \* 2/2007 Porter ..... D32/32  
D594,612 S \* 6/2009 Umeda ..... D32/32  
D621,564 S \* 8/2010 Kaffenberger ..... D32/32  
D679,878 S \* 4/2013 Chudleigh ..... D32/33  
8,484,800 B2 \* 7/2013 Forbes ..... A46D 1/0207  
15/384  
D738,583 S \* 9/2015 Gidwell ..... D32/25  
D770,109 S \* 10/2016 Chu, Jr. .... D32/32  
D779,751 S \* 2/2017 Chu ..... D32/32  
D779,752 S \* 2/2017 Johnson ..... D32/32  
2008/0172818 A1 \* 7/2008 Yoo ..... A47L 9/04  
15/246.3  
2011/0314617 A1 \* 12/2011 Van Der Meijden . E04H 4/1654  
15/1.7

(\*\*) Term: **15 Years**

(21) Appl. No.: **29/553,291**

(22) Filed: **Jan. 29, 2016**

(30) **Foreign Application Priority Data**  
Jul. 31, 2015 (KR) ..... 30-2015-0038167  
(51) **LOC (10) Cl.** ..... **15-05**  
(52) **U.S. Cl.**  
USPC ..... **D32/32**  
(58) **Field of Classification Search**  
USPC ..... D8/396; D32/31-33, 19-20  
CPC ..... F16M 13/02; A24F 19/092; F16L 27/12;  
A47L 9/242; A47L 9/02; A47L 5/362;  
A47L 5/28; A47L 5/34; A47L 5/30; A47G  
25/66; E04H 4/1654  
See application file for complete search history.

(56) **References Cited**  
**U.S. PATENT DOCUMENTS**  
D352,809 S \* 11/1994 Reath ..... D32/33  
D440,019 S \* 4/2001 Mehaffey ..... D32/32  
D456,966 S \* 5/2002 Paterson ..... D32/32  
D457,696 S \* 5/2002 Worwag ..... D32/32

\* cited by examiner  
*Primary Examiner* — Ruth McInroy  
(74) *Attorney, Agent, or Firm* — Cantor Colburn, LLP

(57) **CLAIM**  
The ornamental design for a head for vacuum cleaner, as shown and described.

**DESCRIPTION**  
FIG. 1 is a front perspective view of a head for vacuum cleaner, showing our new design;  
FIG. 2 is a front view thereof;  
FIG. 3 is a rear view thereof;  
FIG. 4 is a left-side view thereof;  
FIG. 5 is a right-side view thereof;  
FIG. 6 is a top view thereof;  
FIG. 7 is a bottom view thereof; and,  
FIG. 8 is a bottom perspective view thereof.  
The broken lines illustrating portions of the head for vacuum cleaner form no part of the claimed design.

**1 Claim, 6 Drawing Sheets**

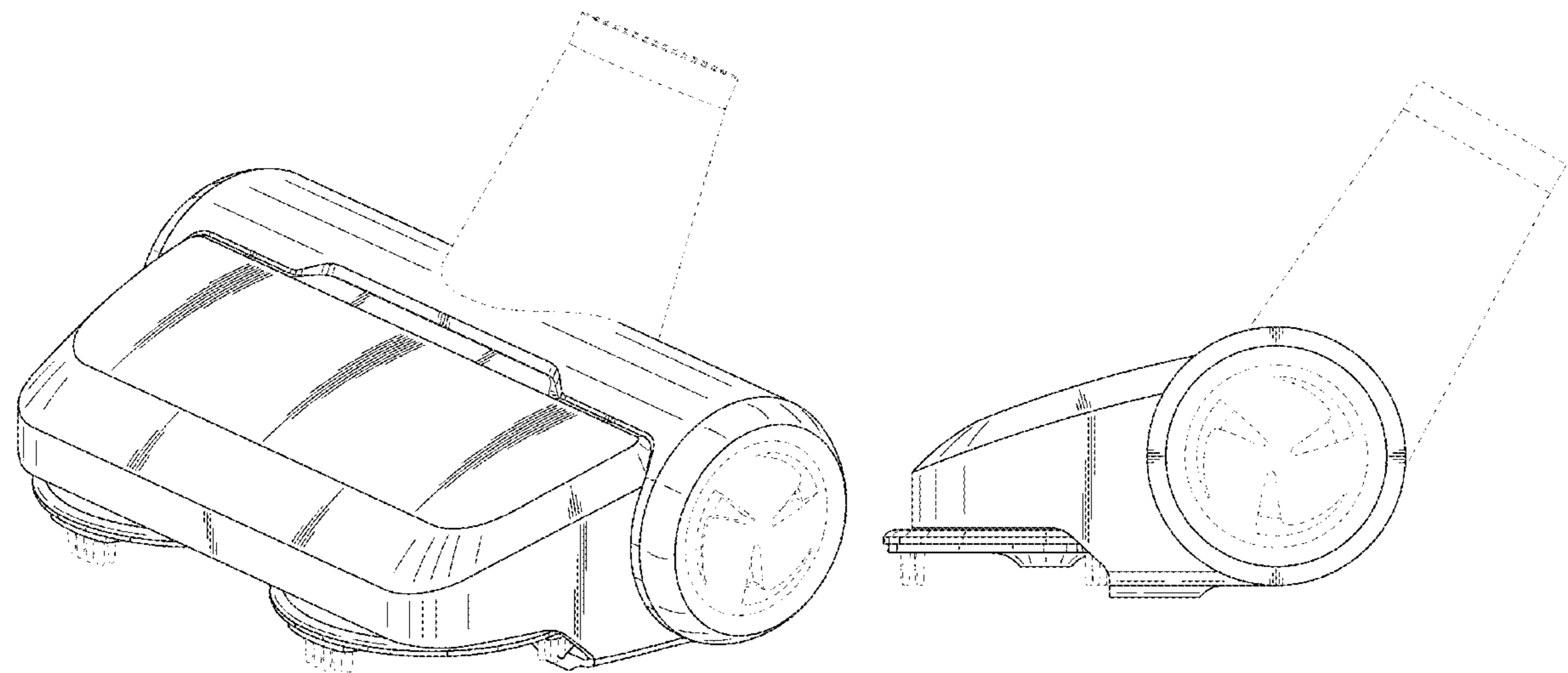


FIG.1

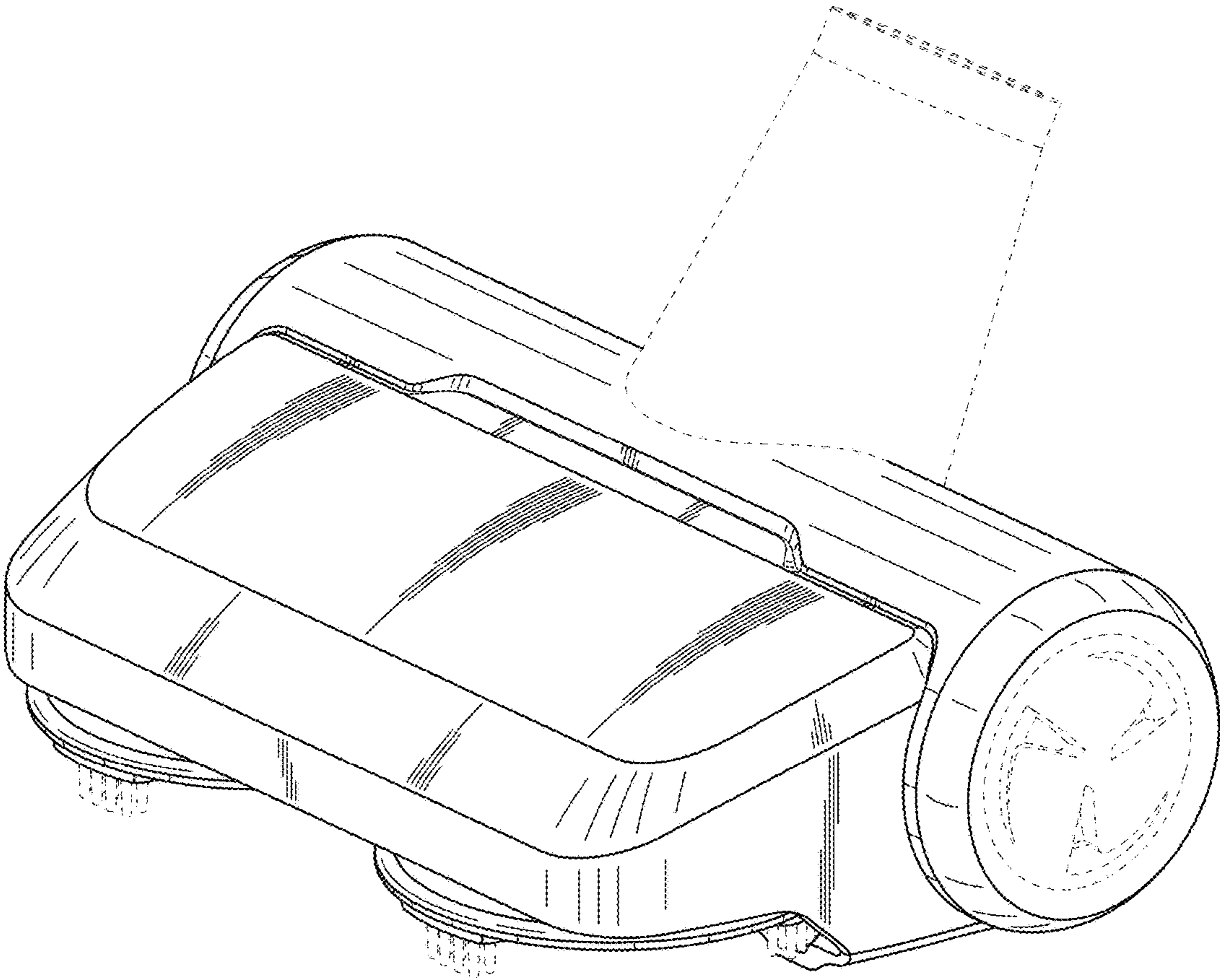


FIG.2

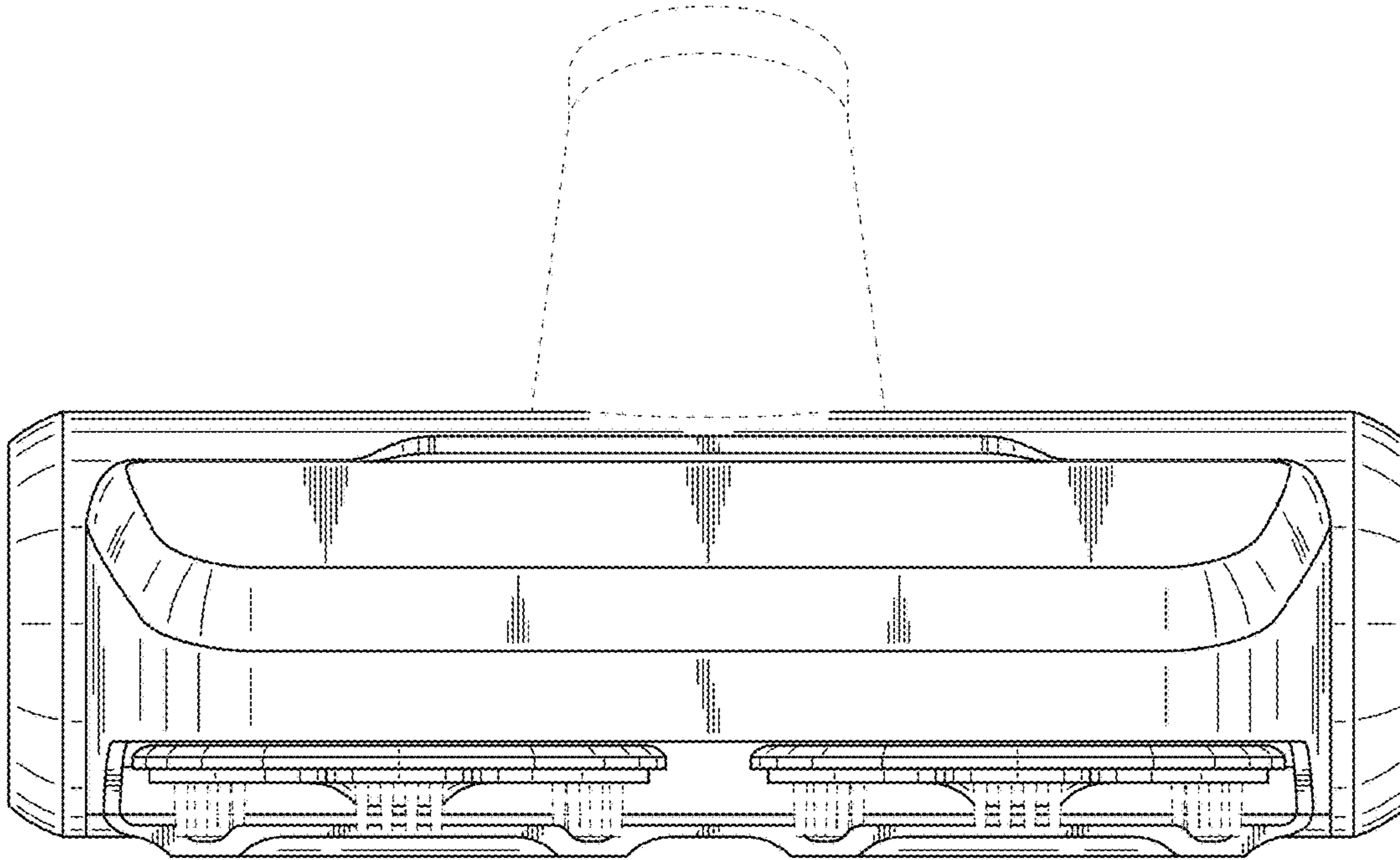


FIG.3

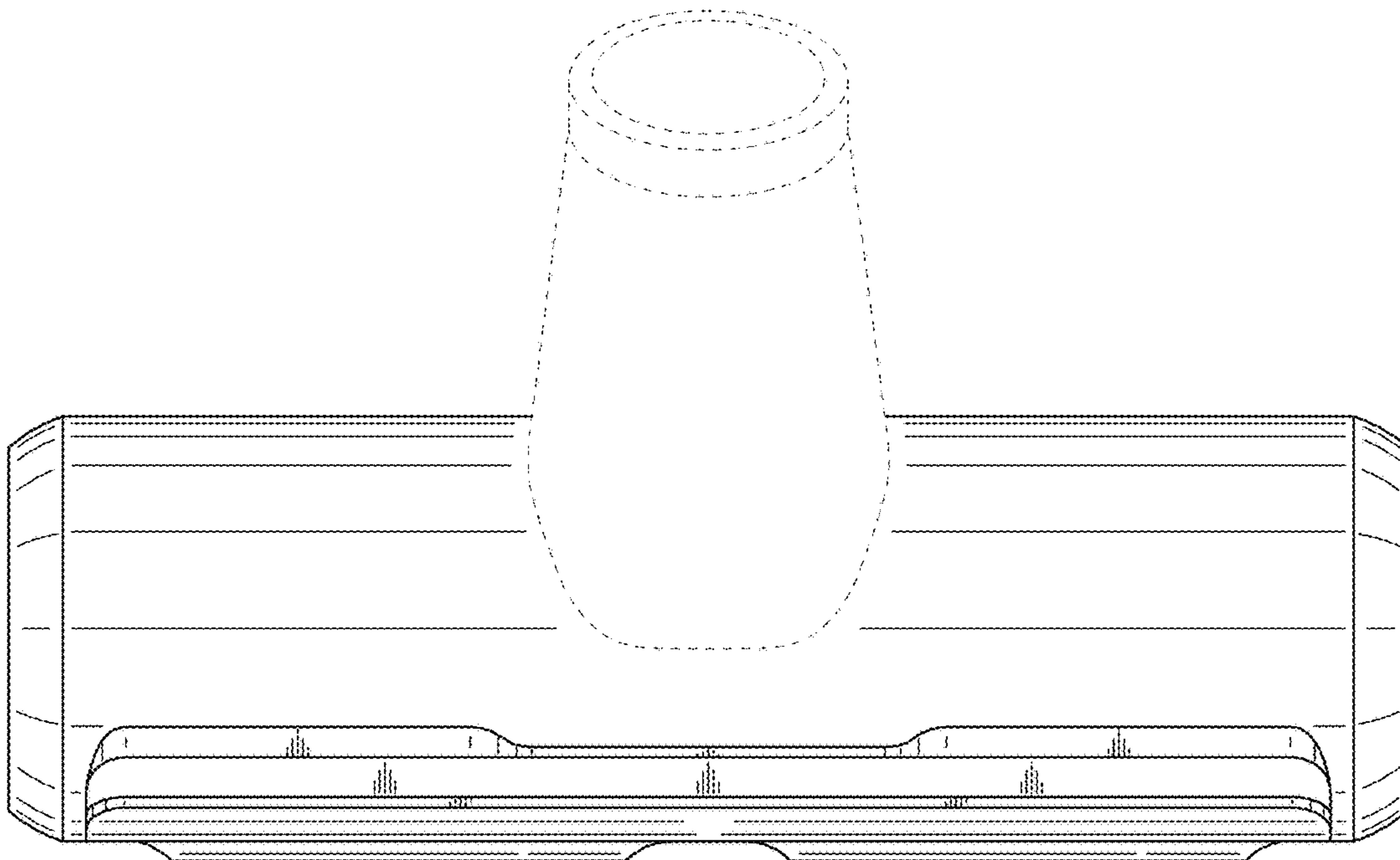


FIG.4

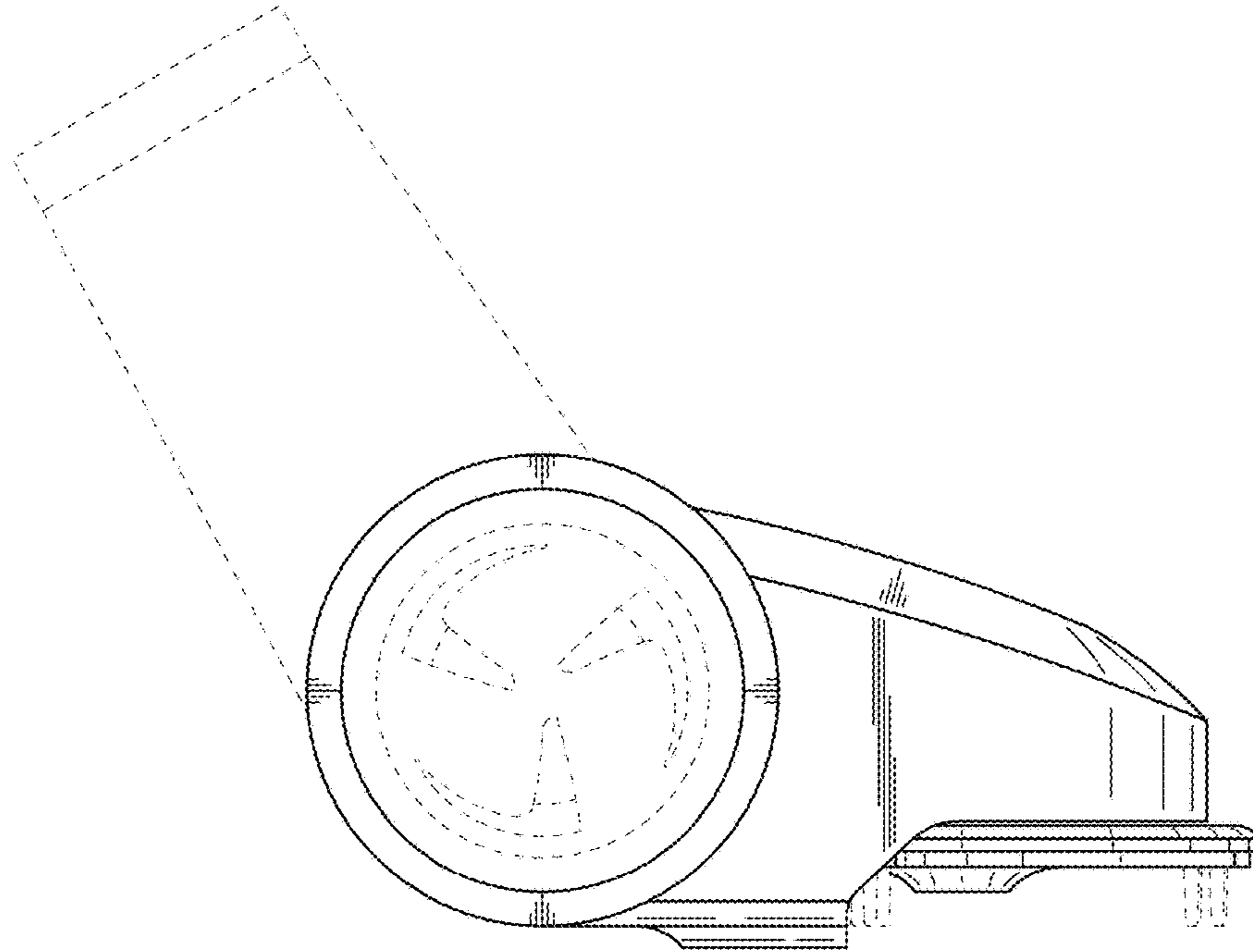


FIG.5

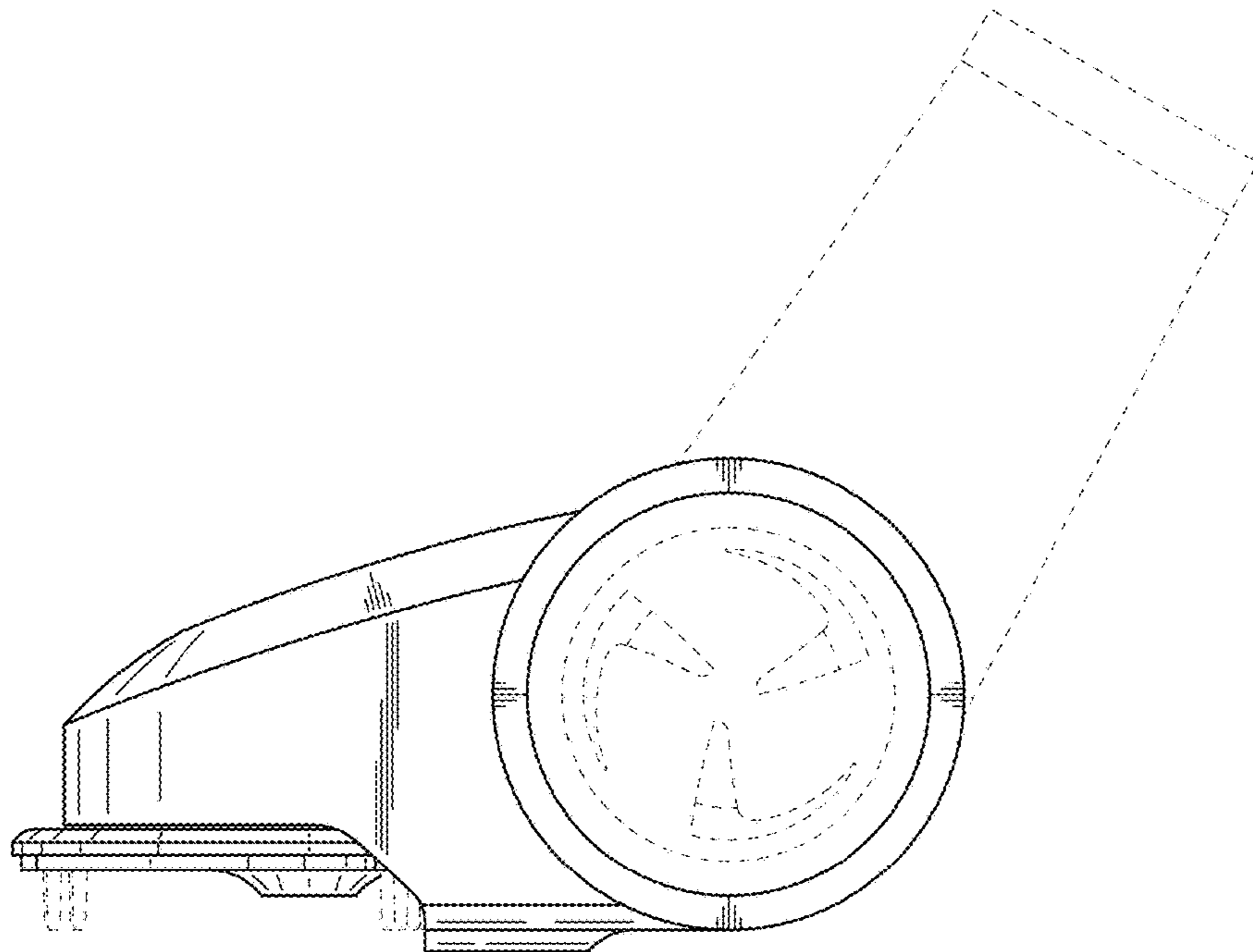


FIG.6

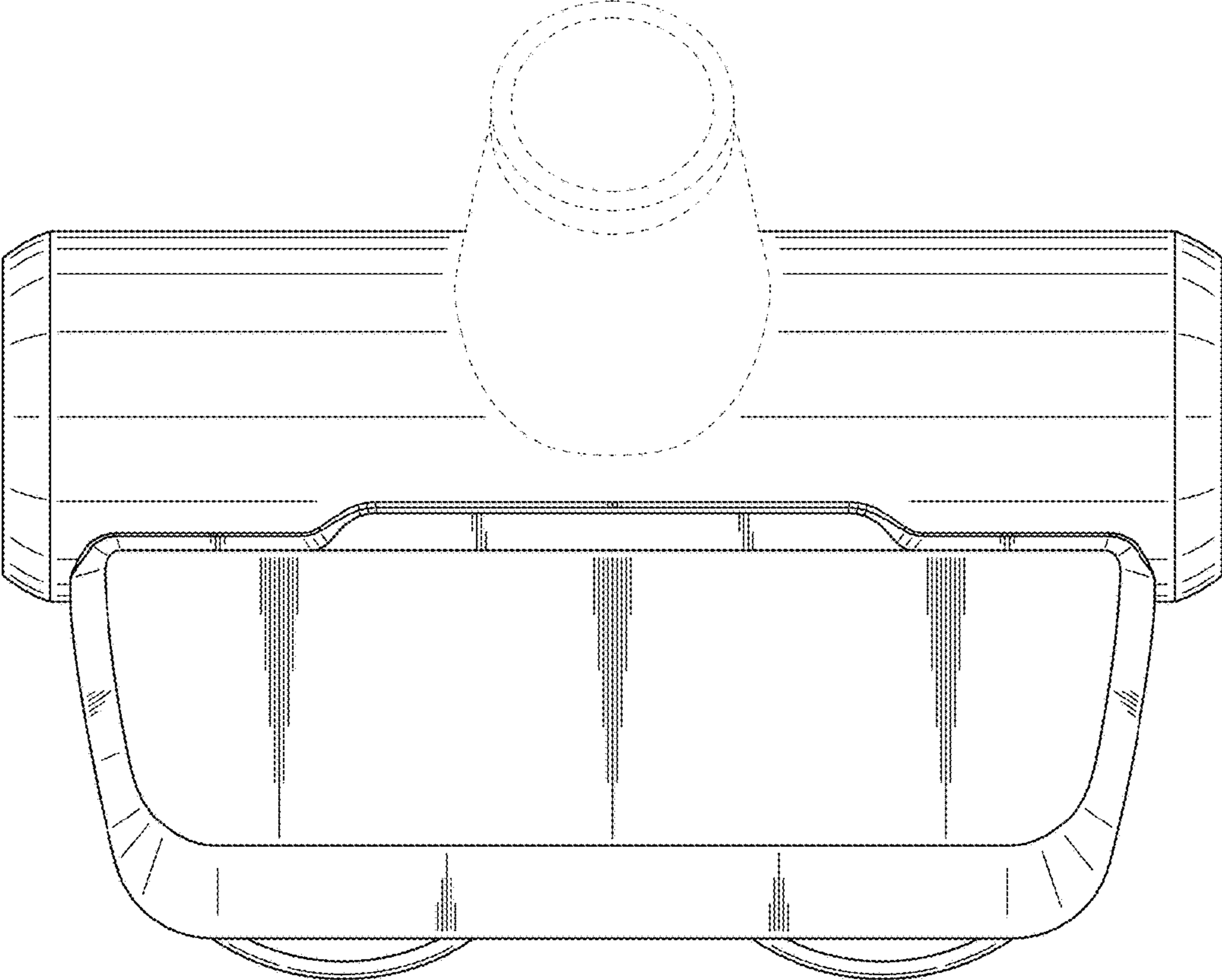


FIG.7

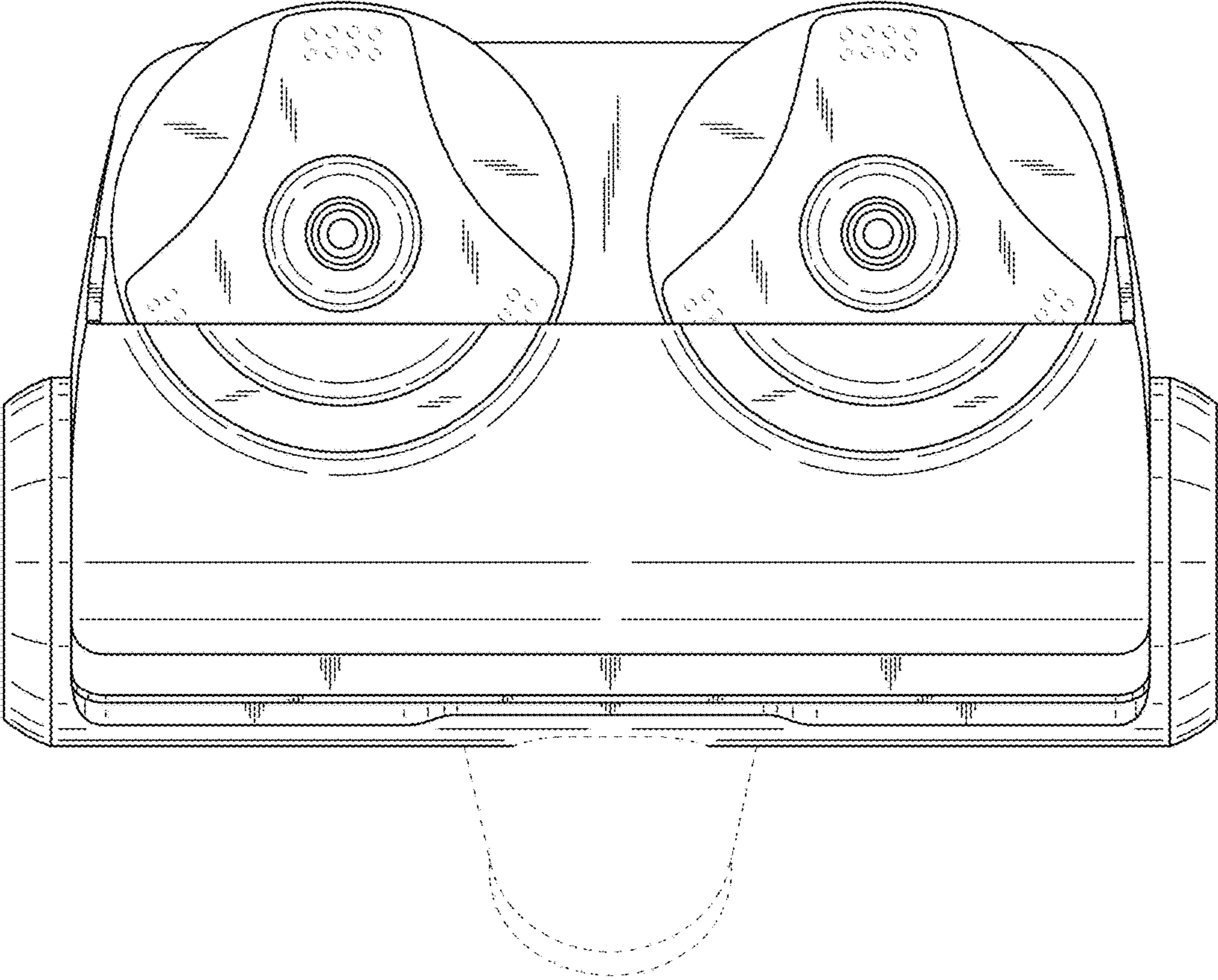


FIG.8

