

US00D795512S

(12) **United States Design Patent**
Joo et al.

(10) **Patent No.:** **US D795,512 S**

(45) **Date of Patent:** **** Aug. 22, 2017**

(54) **DRYER**

(71) Applicant: **Samsung Electronics Co., Ltd.**,
Suwon-si (KR)

(72) Inventors: **Ahjung Joo**, Seoul (KR); **Hayoung Jang**, Seoul (KR); **Jungah Choi**, Seoul (KR)

(73) Assignee: **Samsung Electronics Co., Ltd.**,
Suwon-si (KR)

(**) Term: **15 Years**

(21) Appl. No.: **29/552,736**

(22) Filed: **Jan. 26, 2016**

(30) **Foreign Application Priority Data**

Jul. 29, 2015 (KR) 30-2015-0038299

(51) **LOC (10) Cl.** **15-05**

(52) **U.S. Cl.**
USPC **D32/8**

(58) **Field of Classification Search**
USPC D32/1, 6, 8, 28, 29
CPC D06F 58/00; D06F 58/02; D06F 58/04;
D06F 58/20; D06F 23/04; D06F 33/02;
D06F 2204/065; D06F 25/00; D06F
35/006; D06F 37/28; D06F 39/14; D06F
58/203; G05B 19/042

See application file for complete search history.

(56) **References Cited**

U.S. PATENT DOCUMENTS

D489,152 S * 4/2004 Sneddon D32/28
D568,563 S * 5/2008 Stephens D32/28

D648,084 S * 11/2011 Browne D32/28
D648,085 S * 11/2011 Miller D32/28
D733,375 S * 6/2015 Uk D32/28
D754,937 S * 4/2016 Kim D32/8
D760,968 S * 7/2016 Choi D32/8
D776,886 S * 1/2017 Choi D32/8
D778,010 S * 1/2017 Choi D32/8
2009/0229320 A1 * 9/2009 Yoo D06F 39/14
68/3 R
2010/0132416 A1 * 6/2010 Park D06F 39/088
68/212
2010/0325815 A1 * 12/2010 Im D06F 33/02
8/159

* cited by examiner

Primary Examiner — Michael A. Pratt

Assistant Examiner — Michelle E Wilson

(74) *Attorney, Agent, or Firm* — NSIP Law

(57) **CLAIM**

We claim the ornamental design for a dryer, as shown and described.

DESCRIPTION

FIG. 1 is a front perspective view of a dryer showing our new design;

FIG. 2 is a front view thereof;

FIG. 3 is a rear view thereof;

FIG. 4 is a left-side view thereof;

FIG. 5 is a right-side view thereof;

FIG. 6 is a top view thereof; and,

FIG. 7 is a bottom view.

The broken lines in the figures show portions of the dryer which form no part of the claimed design.

1 Claim, 7 Drawing Sheets

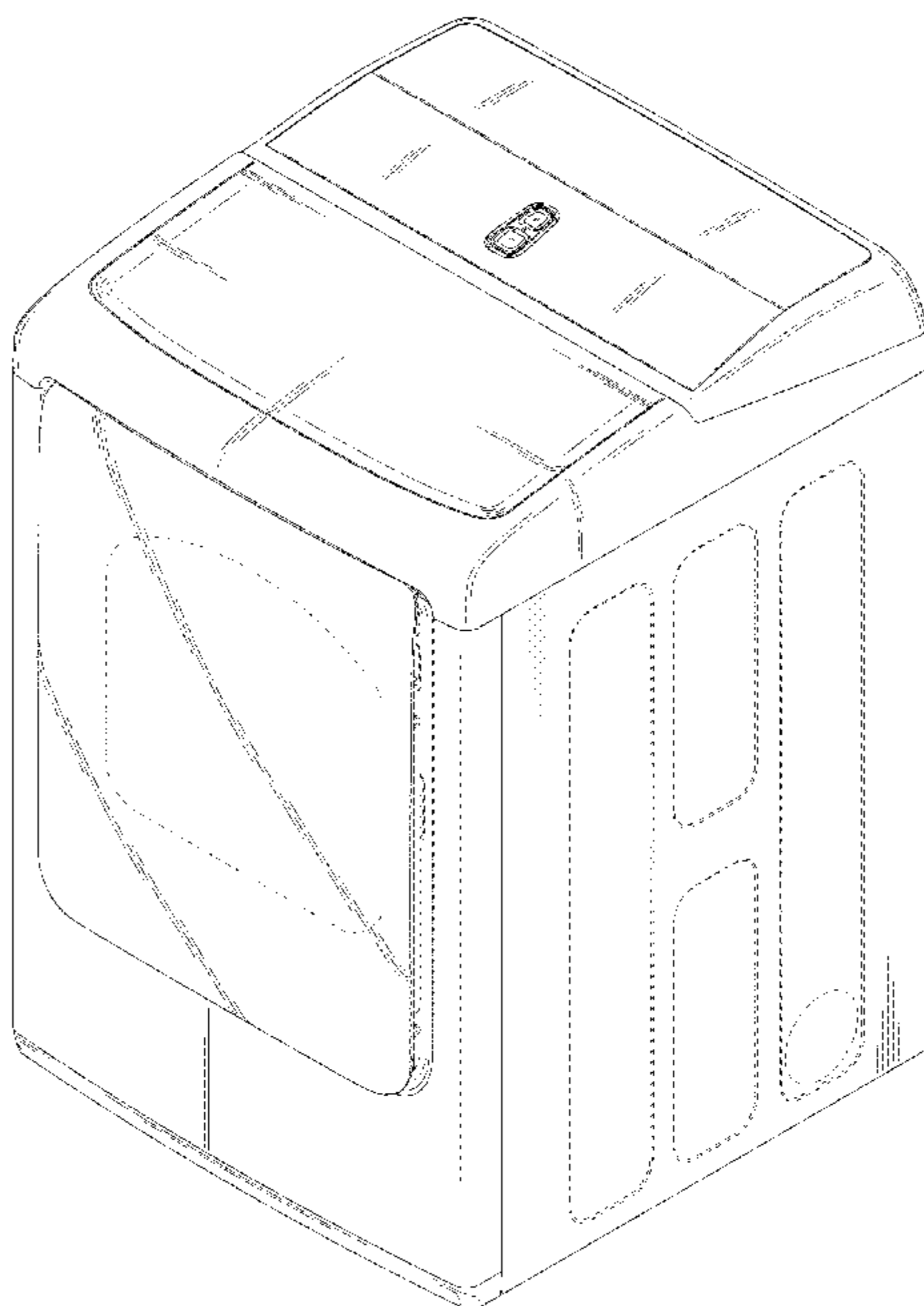


FIG. 1

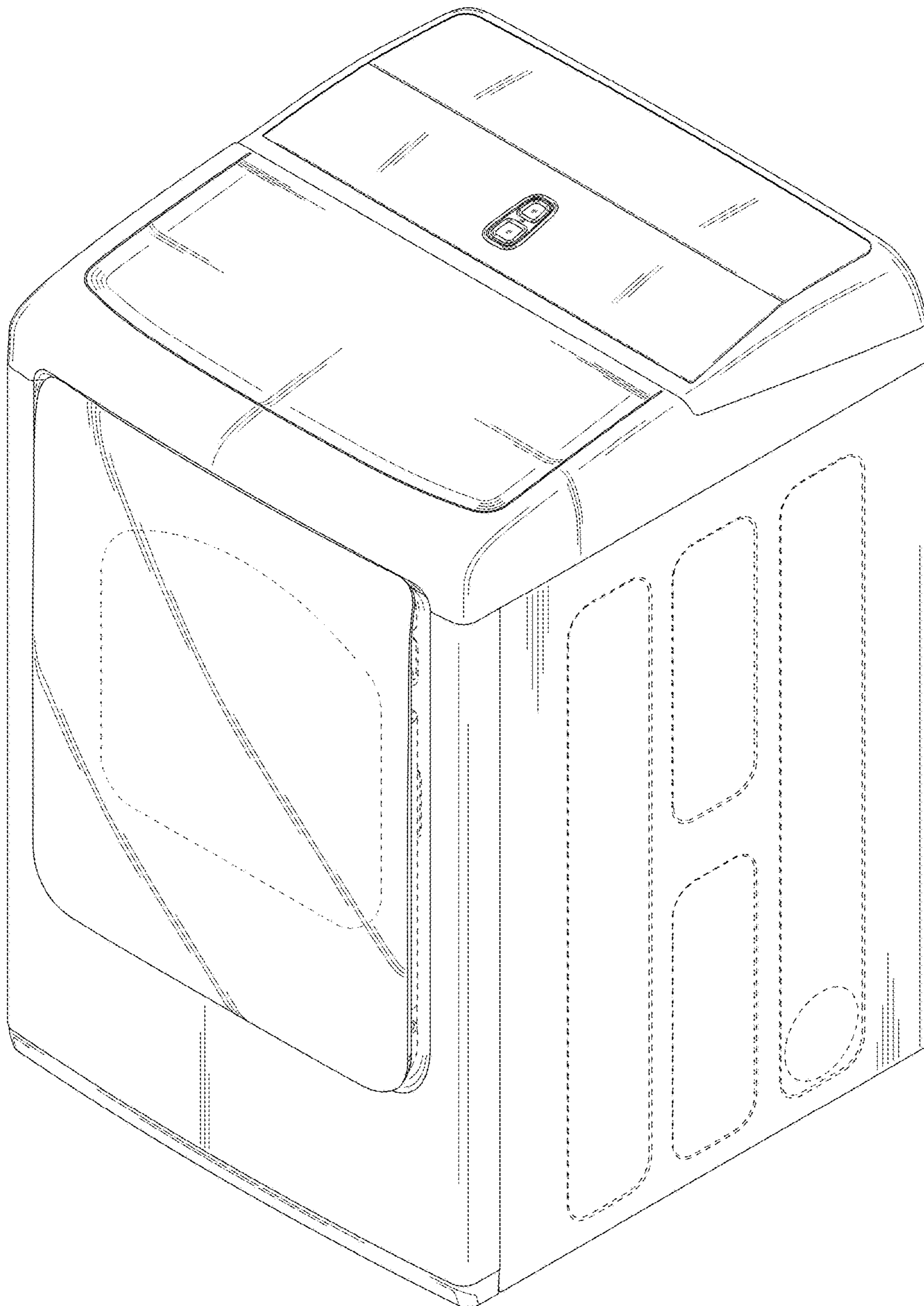


FIG. 2

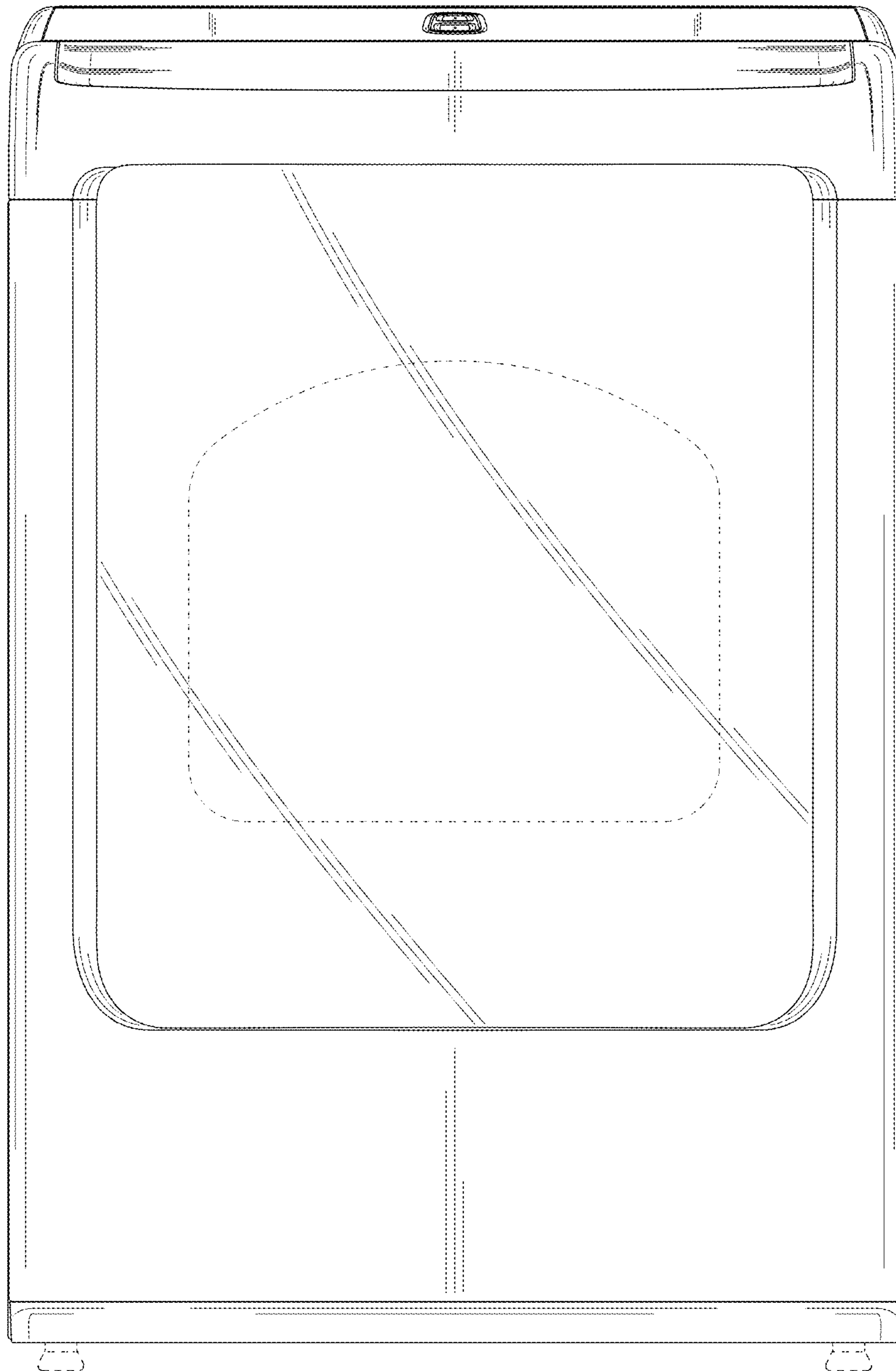


FIG. 3

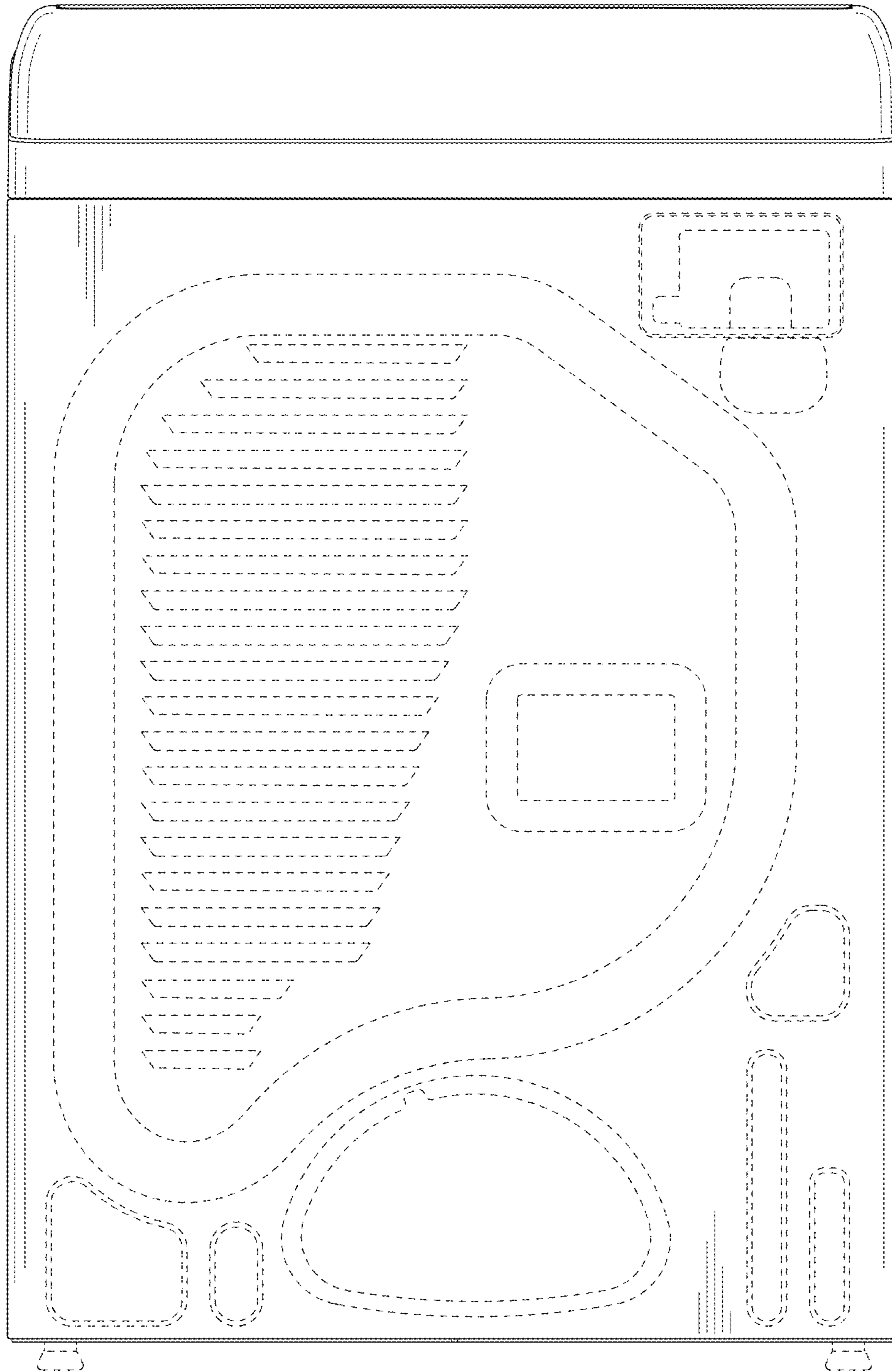


FIG. 4

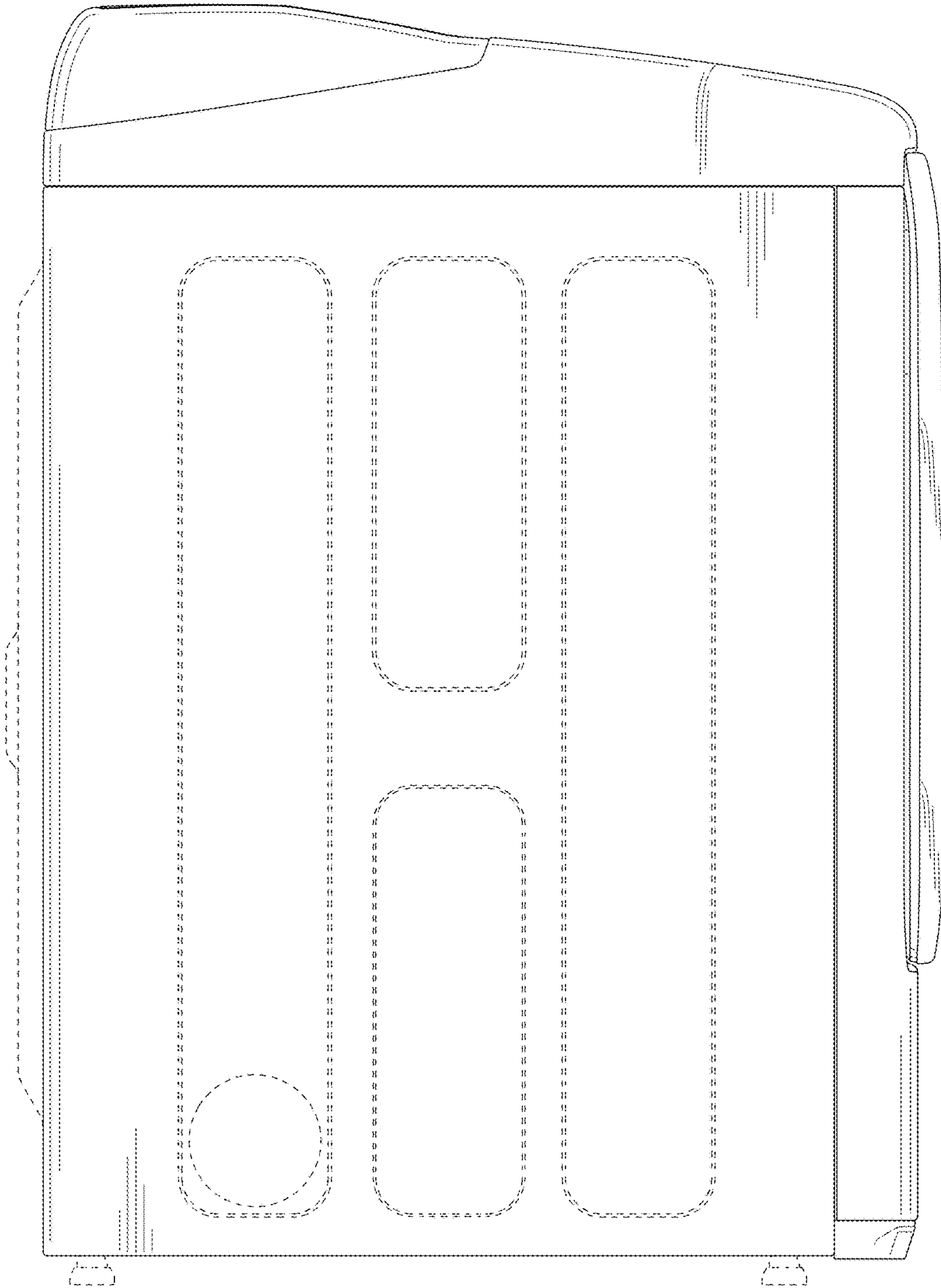


FIG. 5

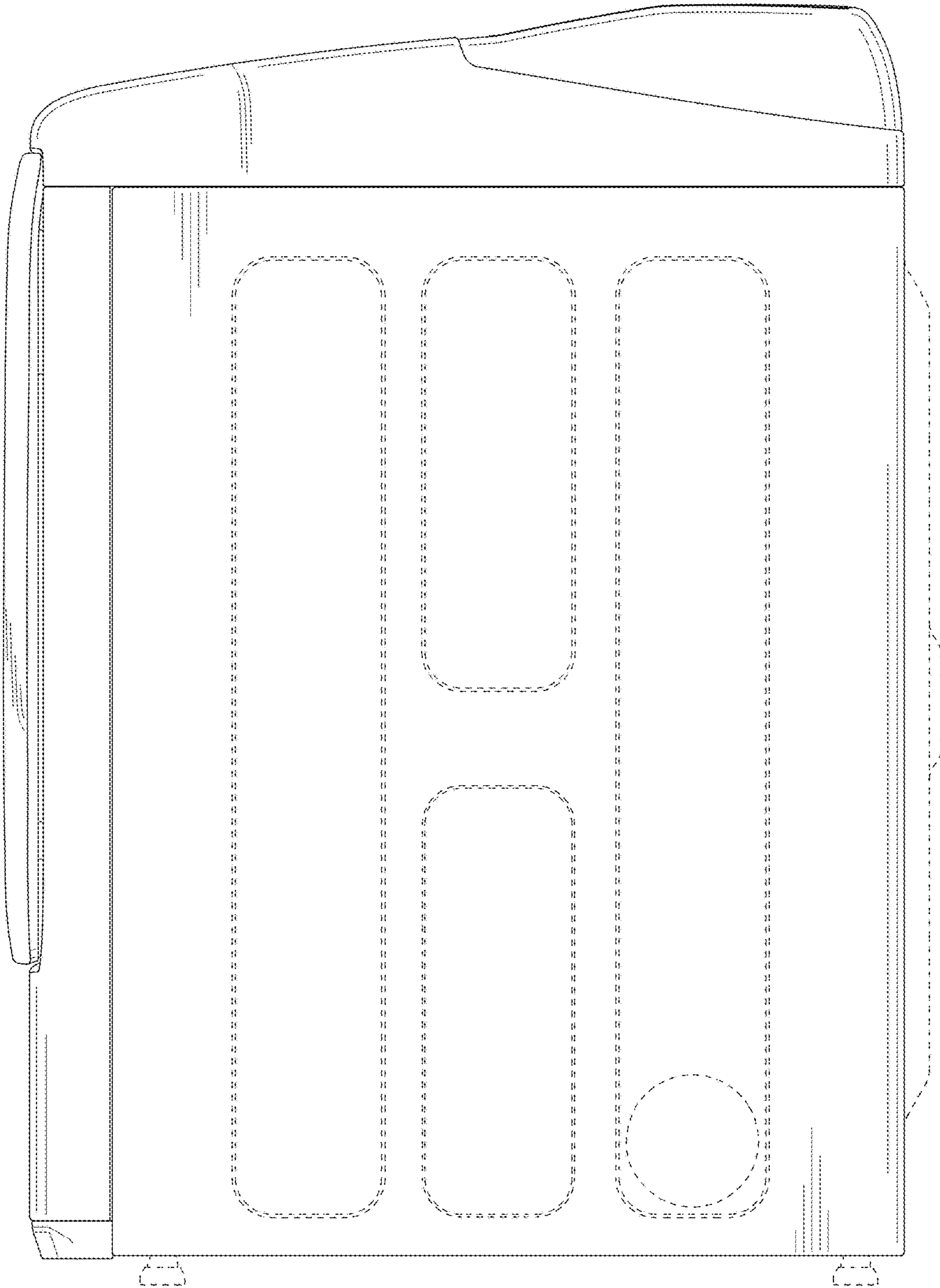


FIG. 6

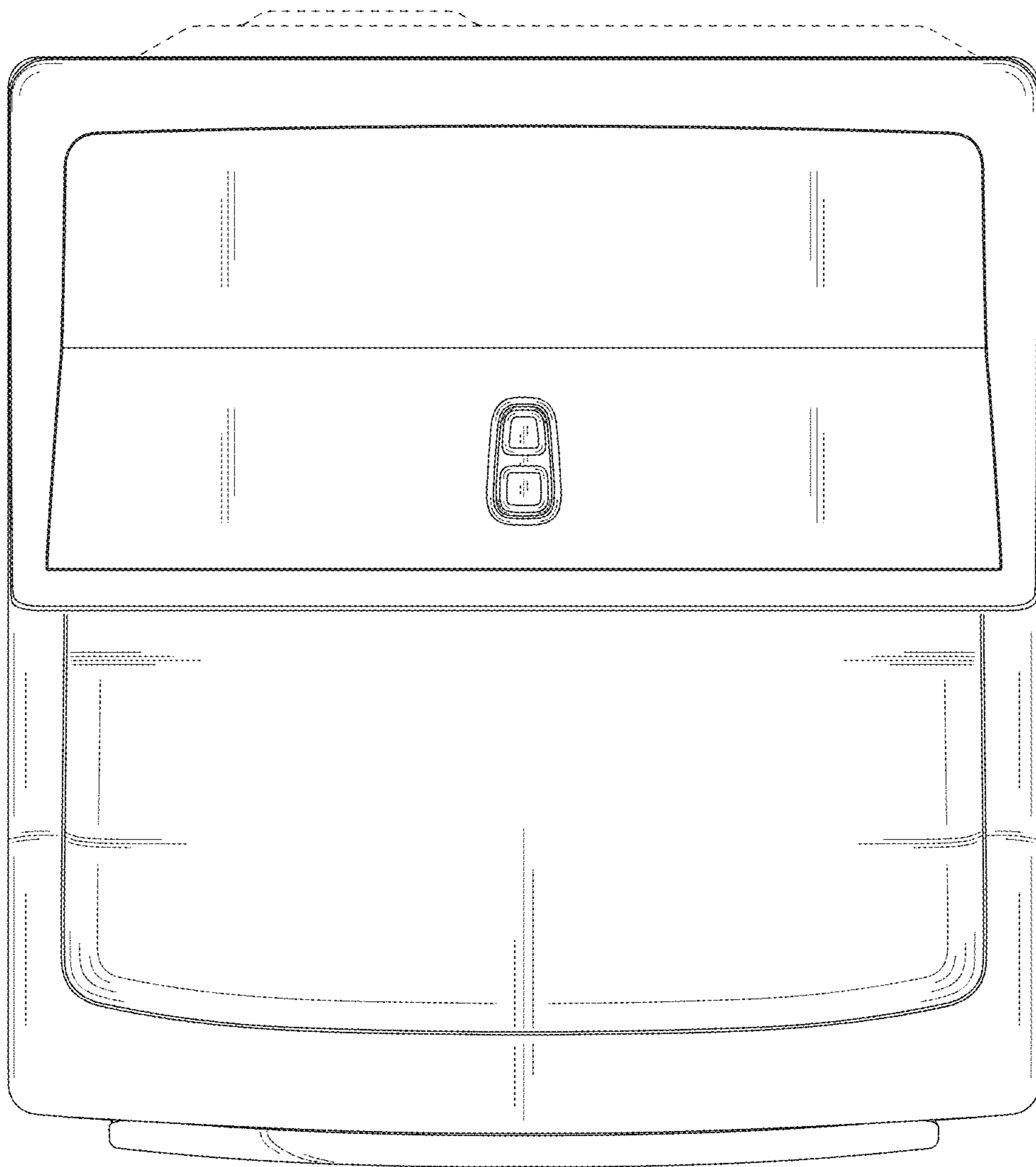


FIG. 7

