



US00D795509S

(12) **United States Design Patent**  
**Dilgin**

(10) **Patent No.:** **US D795,509 S**

(45) **Date of Patent:** **\*\* Aug. 22, 2017**

(54) **DEVICE TO ACCOMMODATE ANIMAL EXCREMENT**

(71) Applicant: **Ali Dilgin**, Berlin (DE)

(72) Inventor: **Ali Dilgin**, Berlin (DE)

(\*\*) Term: **15 Years**

(21) Appl. No.: **29/550,038**

(22) Filed: **Dec. 30, 2015**

(51) **LOC (10) Cl.** ..... **30-99**

(52) **U.S. Cl.**  
USPC ..... **D30/162**

(58) **Field of Classification Search**  
USPC ..... D30/162, 161, 199; 119/867, 161, 166, 119/174; D8/13, 10; D9/430; 294/1.3-1.5, 19.1, 49, 50, 50.5, 55, 179, 294/176, 180, 3, 7, 99.2, 177, 59, 57; 209/418, 419; 15/257.1, 257.2, 1.7; 210/464, 465, 470, 472; D7/692, 691; D21/532; D32/74  
CPC ..... A01K 1/01; A01K 1/011; A01K 1/0128; A01K 1/0132; E01H 1/12; E01H 1/1206; E01H 2001/122; E01H 2001/1226; E01H 2001/1233; E01H 2001/1246; E01H 2001/126; E01H 2001/1266; E01H 2001/1273; E01H 2001/128; B07B 1/00; B07B 1/005; B07B 1/02; E04H 4/1609; F24B 15/08

See application file for complete search history.

(56) **References Cited**

**U.S. PATENT DOCUMENTS**

- 2,713,321 A \* 7/1955 Keen ..... A61D 7/00  
119/460
- D186,693 S \* 11/1959 Haghani ..... D34/1
- 3,001,404 A \* 9/1961 McDonnell, Jr. .... G01F 19/002  
215/DIG. 5

- 3,365,227 A \* 1/1968 Wildgen ..... A47J 45/10  
294/27.1
- 3,380,101 A \* 4/1968 Phillips ..... A47L 13/52  
15/257.1
- D251,229 S \* 3/1979 Wooters ..... D12/420
- 4,222,598 A \* 9/1980 Ullger ..... B65D 5/42  
229/103
- 4,279,437 A \* 7/1981 Goldbarg ..... E01H 1/1206  
294/1.4
- D260,722 S \* 9/1981 Bateman ..... D7/691
- D269,129 S \* 5/1983 Manfre ..... 294/179
- D282,108 S \* 1/1986 Losenno ..... D28/20
- D288,493 S \* 2/1987 Lopez ..... D32/74
- 4,828,690 A \* 5/1989 Montez ..... B07B 1/02  
209/418

(Continued)

**FOREIGN PATENT DOCUMENTS**

DE 402014100601.6 1/2015

*Primary Examiner* — Susan Moon Lee

(74) *Attorney, Agent, or Firm* — Michael Soderman

(57) **CLAIM**

The ornamental design for a device to accommodate animal excrement, as shown.

**DESCRIPTION**

FIG. 1 is a view in perspective from the rear and right-hand side of the device to accommodate animal excrement showing the new design;

FIG. 2 is a view in perspective from the front and left-hand side of the device;

FIG. 3 is a direct view from the front of the device;

FIG. 4 is a direct view from the left-hand side of the device;

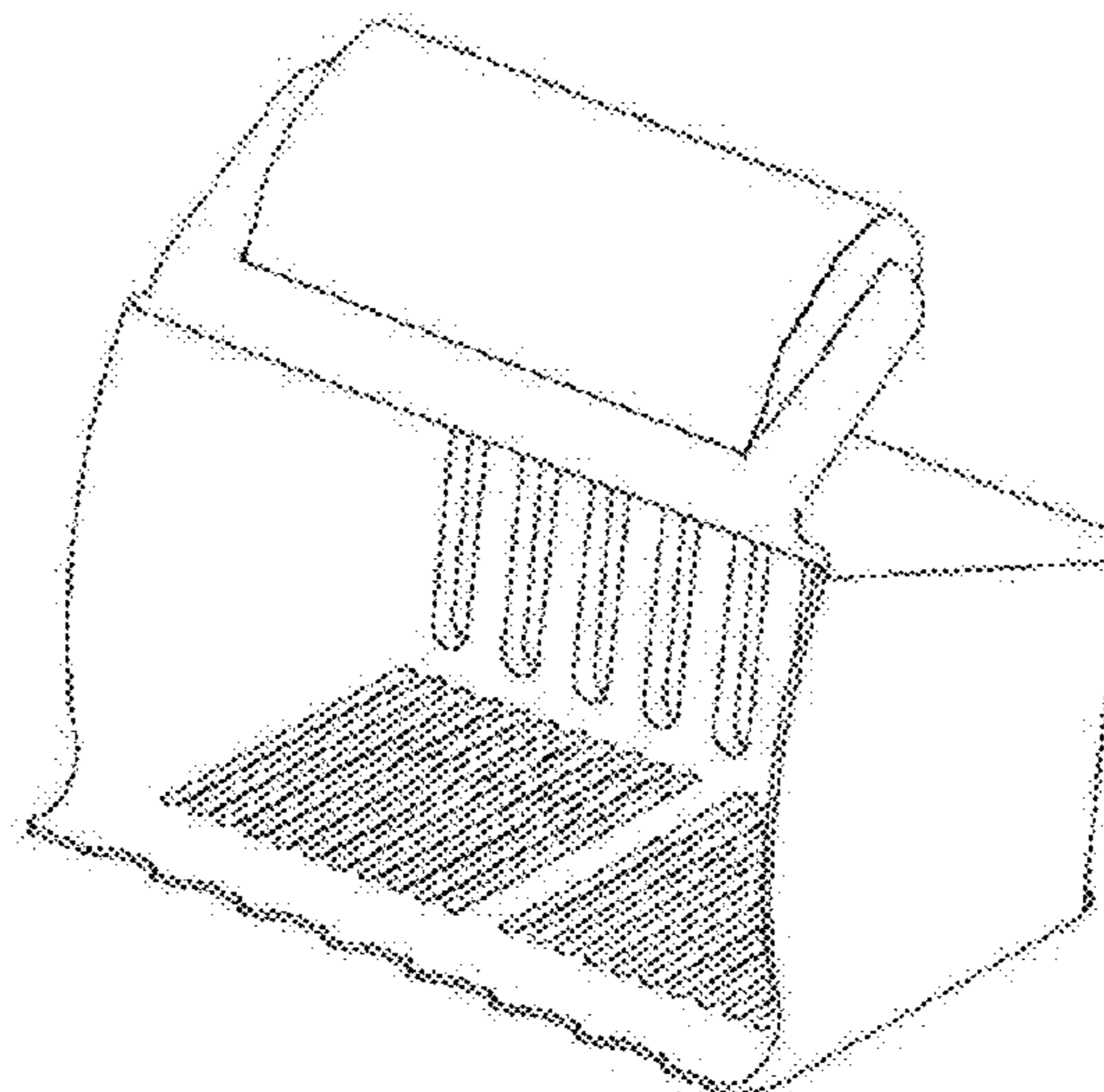
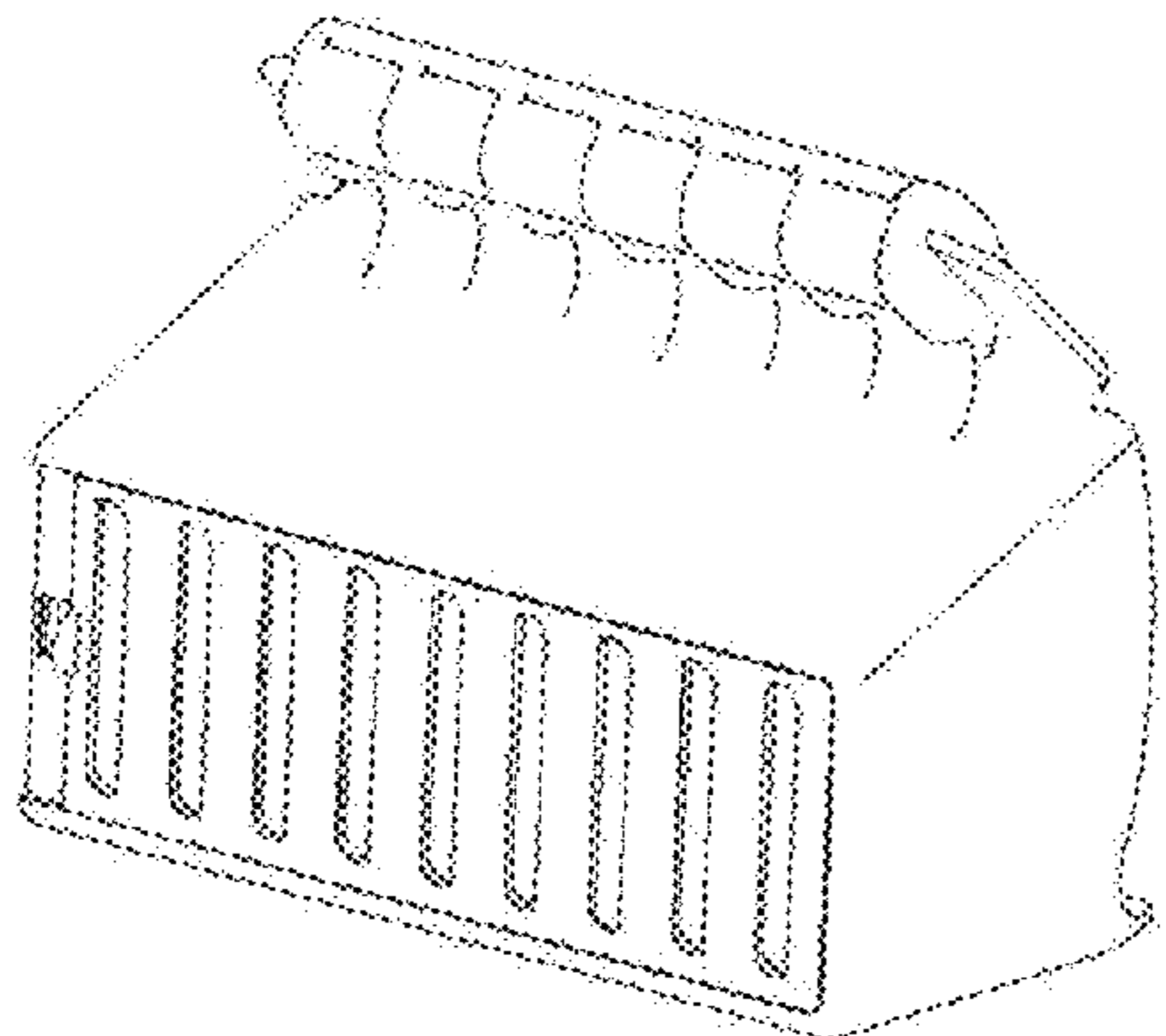
FIG. 5 is a direct view from the right-hand side of the device;

FIG. 6 is a direct view of the top of the device;

FIG. 7 is a view in perspective from the rear and bottom of the device; and,

FIG. 8 is a direct view of the bottom of the device.

**1 Claim, 8 Drawing Sheets**



(56)

References Cited

U.S. PATENT DOCUMENTS

4,974,893	A *	12/1990	Grahn	.....	E01H 1/1206 15/104.8
D316,315	S *	4/1991	Elrod	.....	294/1.4
D334,255	S *	3/1993	Nelson	.....	D30/162
D339,720	S *	9/1993	Kolada	.....	D7/667
5,279,007	A *	1/1994	Kolada	.....	A47J 43/24 210/249
D352,642	S *	11/1994	Cole	.....	D7/692
5,662,366	A *	9/1997	Fraske	.....	A63B 47/02 294/19.2
D385,756	S *	11/1997	Licari	.....	D7/667
D393,300	S *	4/1998	Andrews	.....	D21/721
5,775,258	A *	7/1998	Larsen	.....	A01K 1/0114 119/161
5,921,596	A *	7/1999	Sheriff	.....	A01K 1/0114 209/418
D429,609	S *	8/2000	Azevedo	.....	D34/1
D437,462	S *	2/2001	Whall	.....	294/1.4
6,196,600	B1 *	3/2001	Miller	.....	E01H 1/1206 15/257.7
6,412,841	B1 *	7/2002	Loraas	.....	A01B 1/00 15/257.7
D463,642	S *	9/2002	Morad	.....	D32/74
7,111,741	B2 *	9/2006	Bramante	.....	A01B 1/00 209/417
D599,628	S *	9/2009	Pourounidis	.....	D7/691
D601,769	S *	10/2009	Cox	.....	D32/74
D625,893	S *	10/2010	Larin	.....	B65F 1/122 D34/1
D636,139	S *	4/2011	Jones	.....	D32/74
D665,954	S *	8/2012	Diehl	.....	D30/162
D691,426	S *	10/2013	Brown	.....	D7/667
D700,750	S *	3/2014	Maguire	.....	D30/129
8,955,893	B1 *	2/2015	Stern	.....	E01H 1/1206 294/1.4
D741,112	S *	10/2015	Luzano-Belfield	.....	D7/590
D786,708	S *	5/2017	Maguire	.....	D10/46.2
2004/0164568	A1 *	8/2004	Diehl	.....	A01K 23/005 294/1.4
2007/0175401	A1 *	8/2007	Young	.....	A01K 1/0114 119/166
2009/0058114	A1 *	3/2009	Diehl	.....	E01H 1/1206 294/1.4
2012/0285879	A1 *	11/2012	Housley	.....	A47J 43/24 210/249
2013/0026773	A1 *	1/2013	Rockwell	.....	A47F 13/08 294/53.5

\* cited by examiner

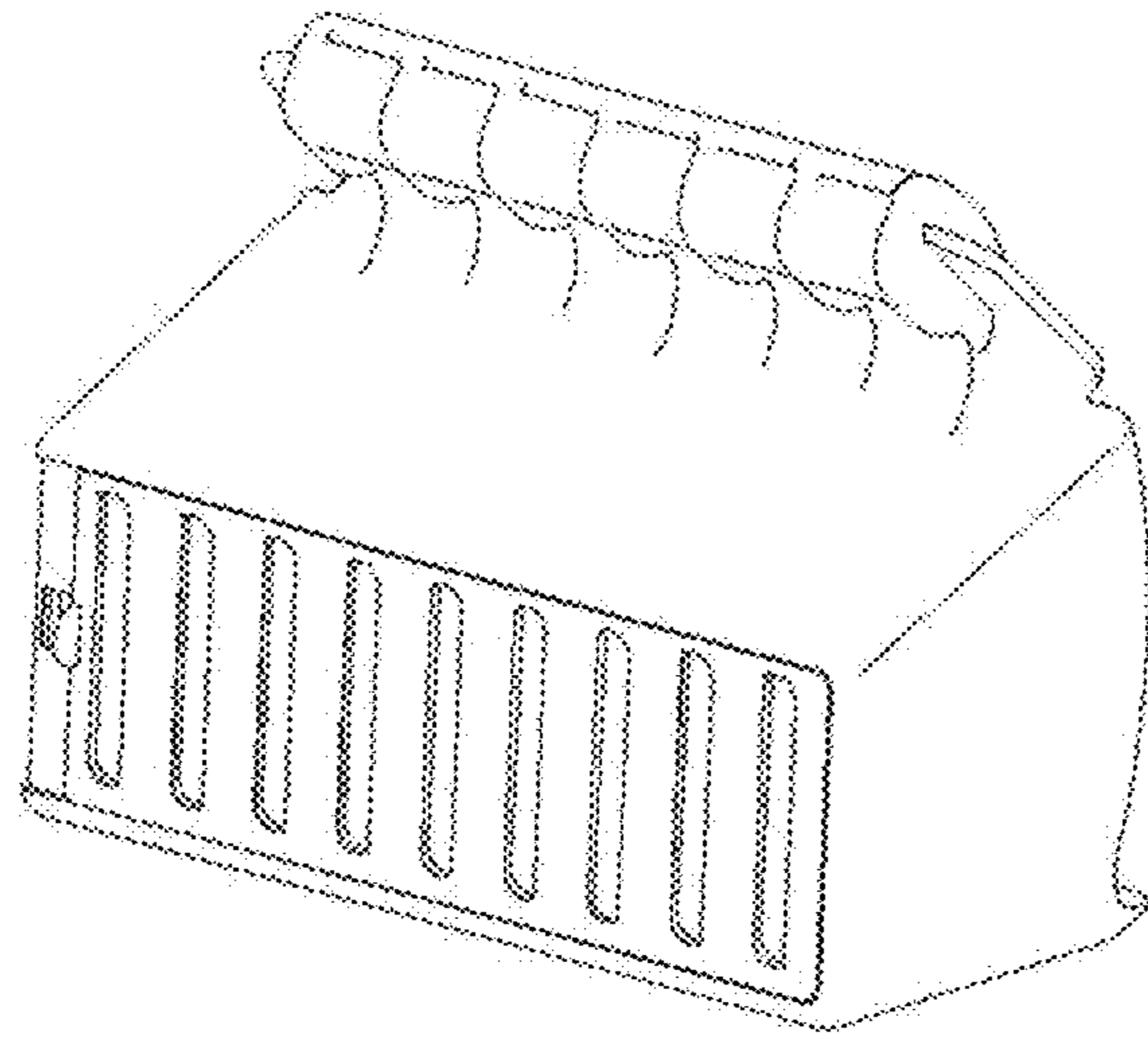


Fig. 1

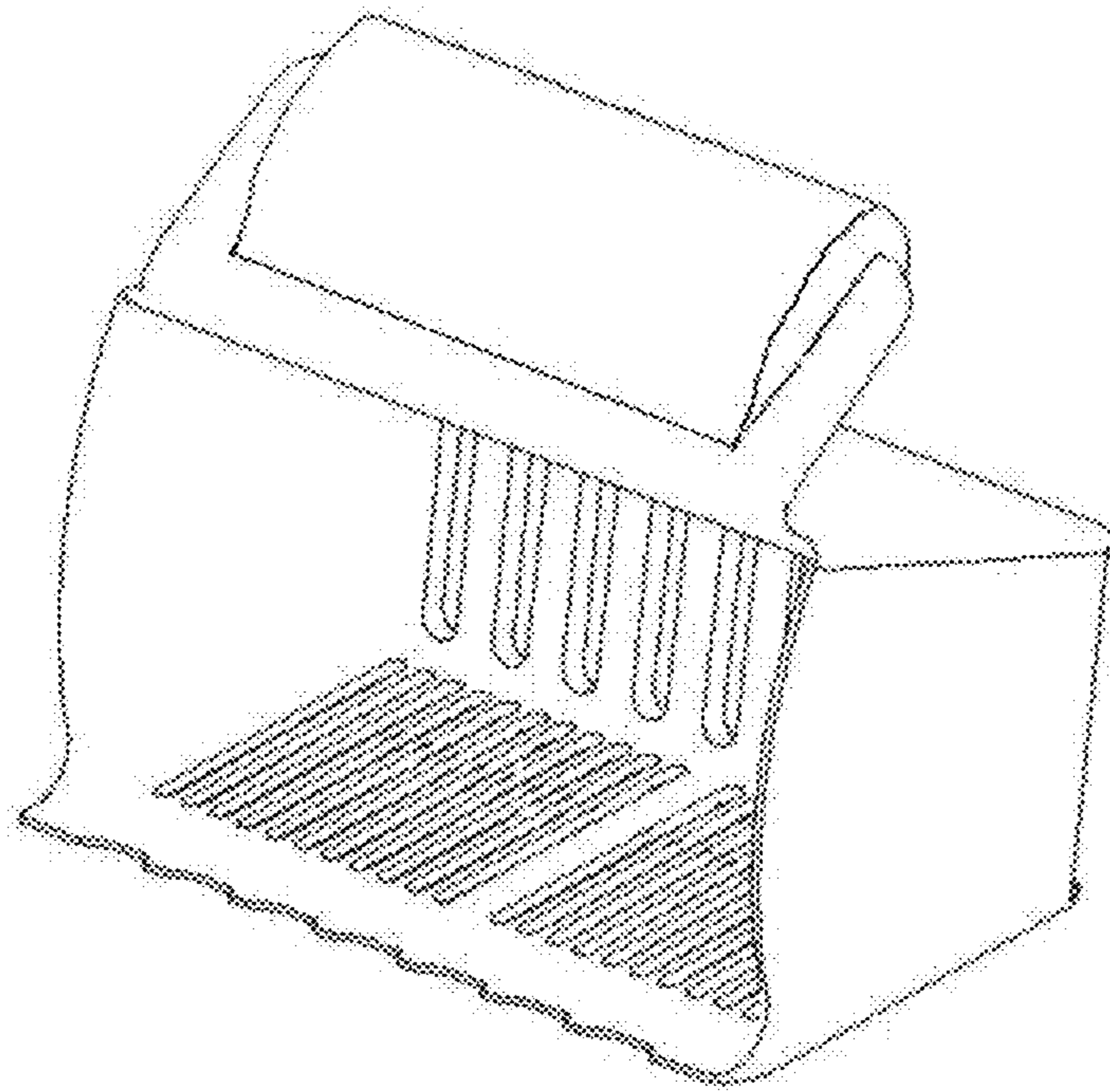


Fig. 2

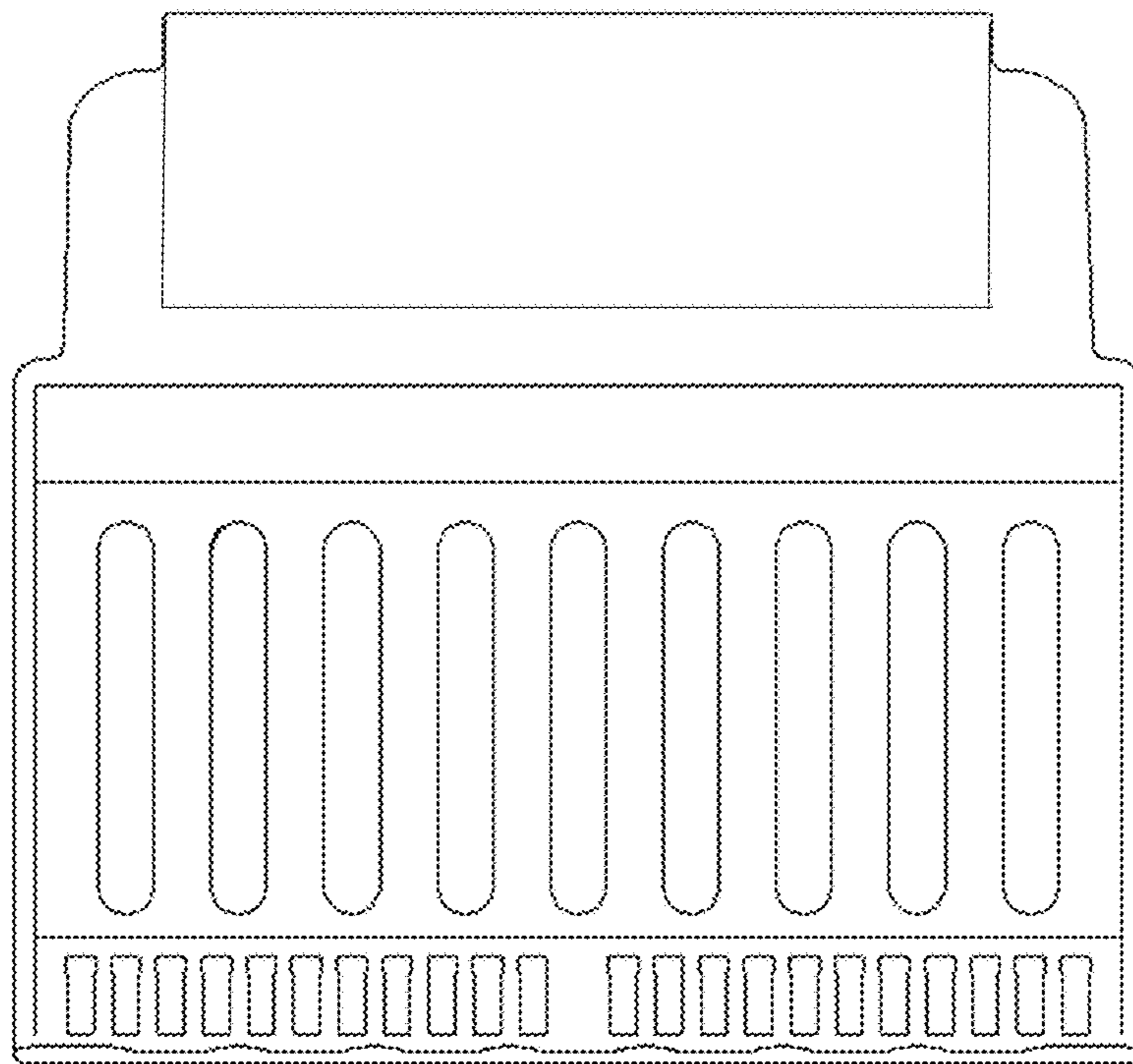


Fig. 3

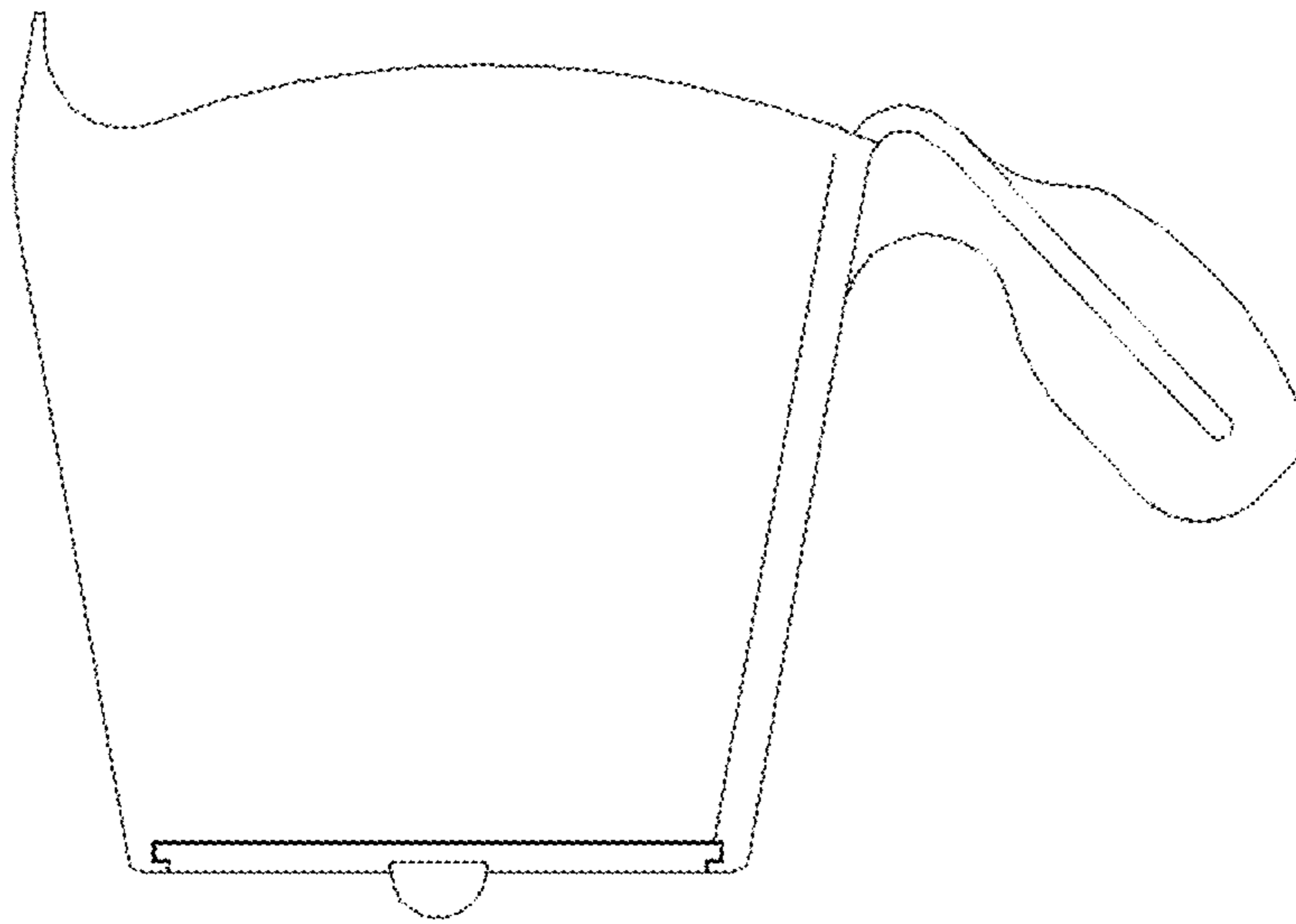


Fig. 4

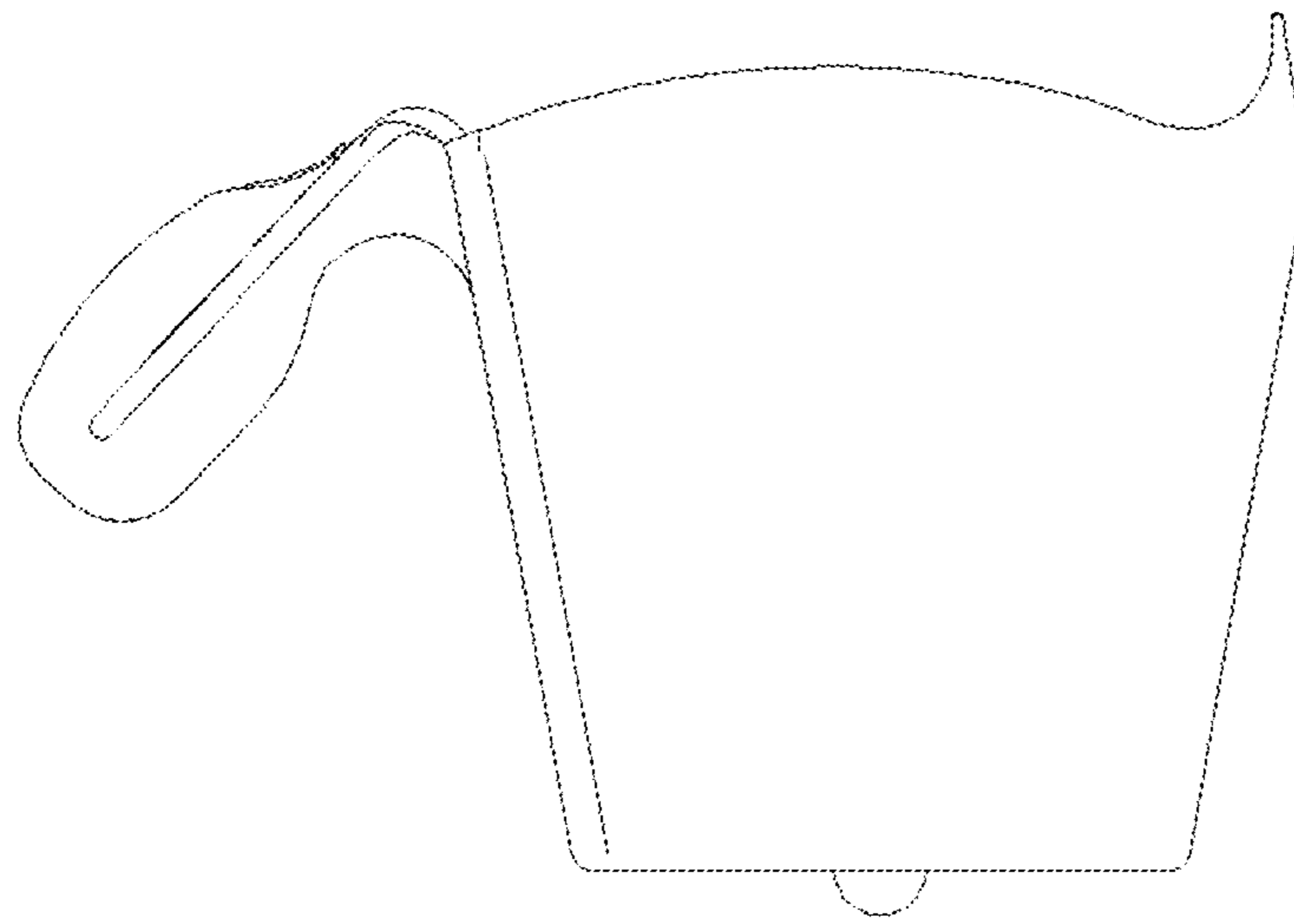


Fig. 5

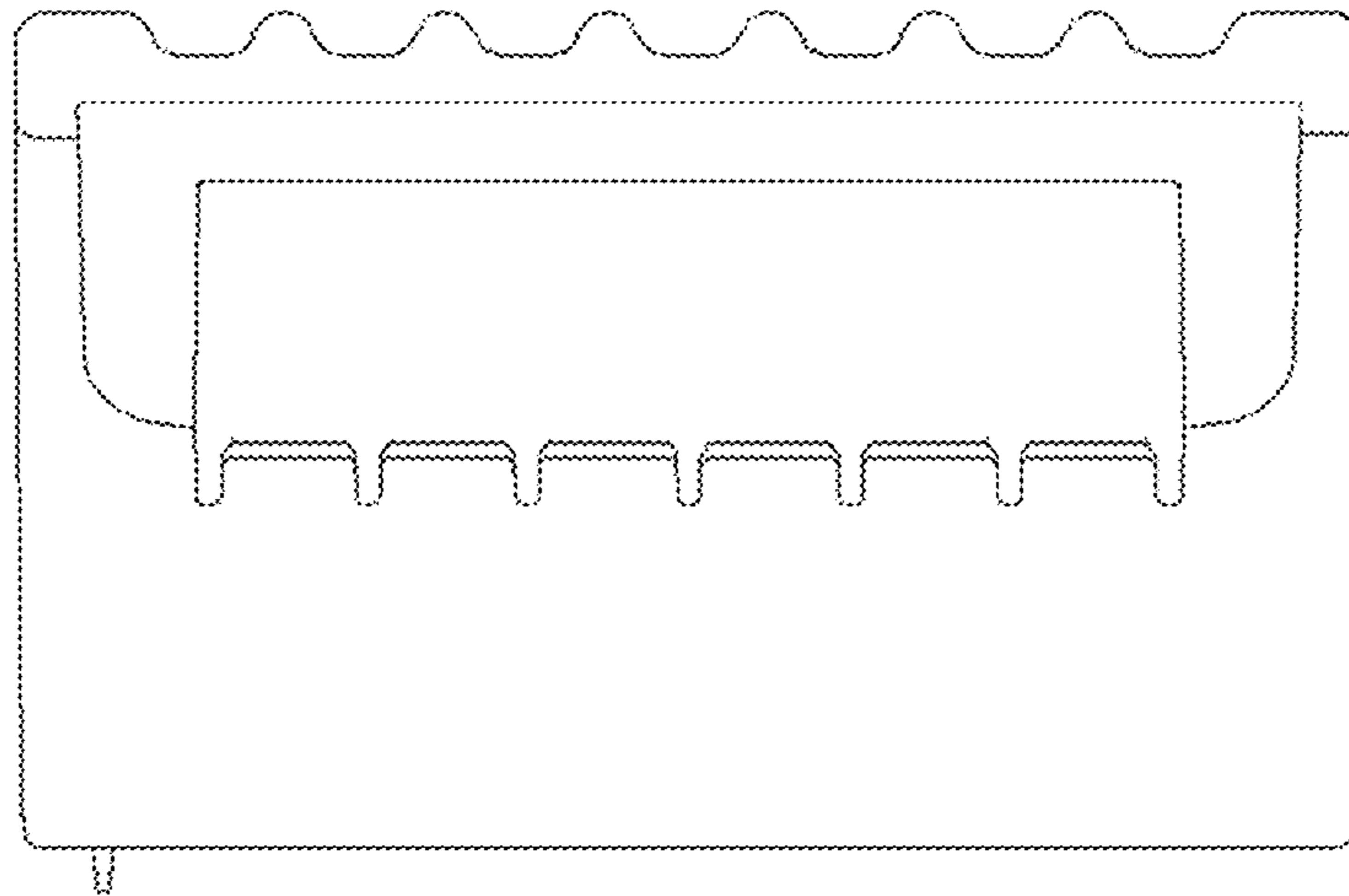


Fig. 6



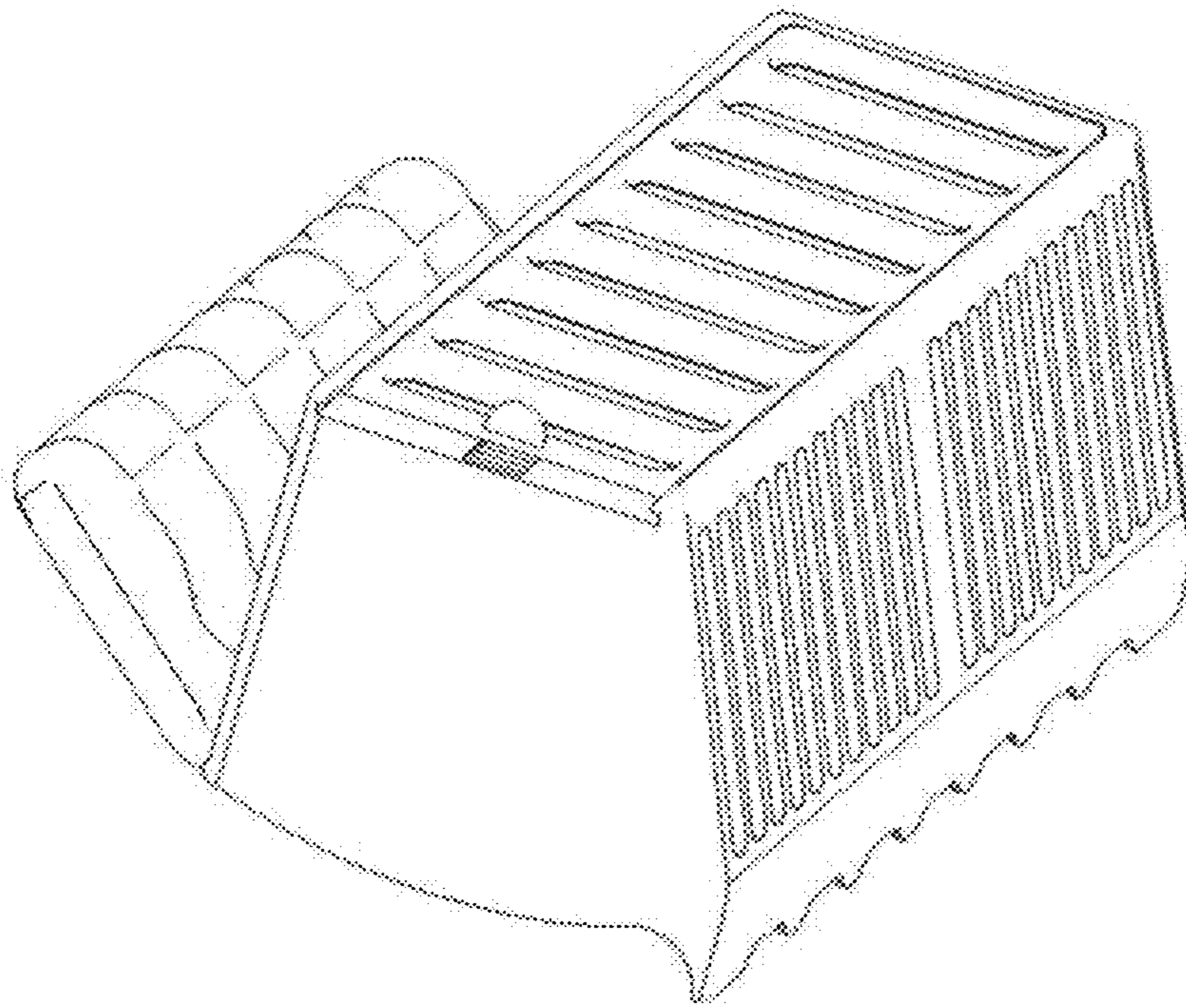


Fig. 7

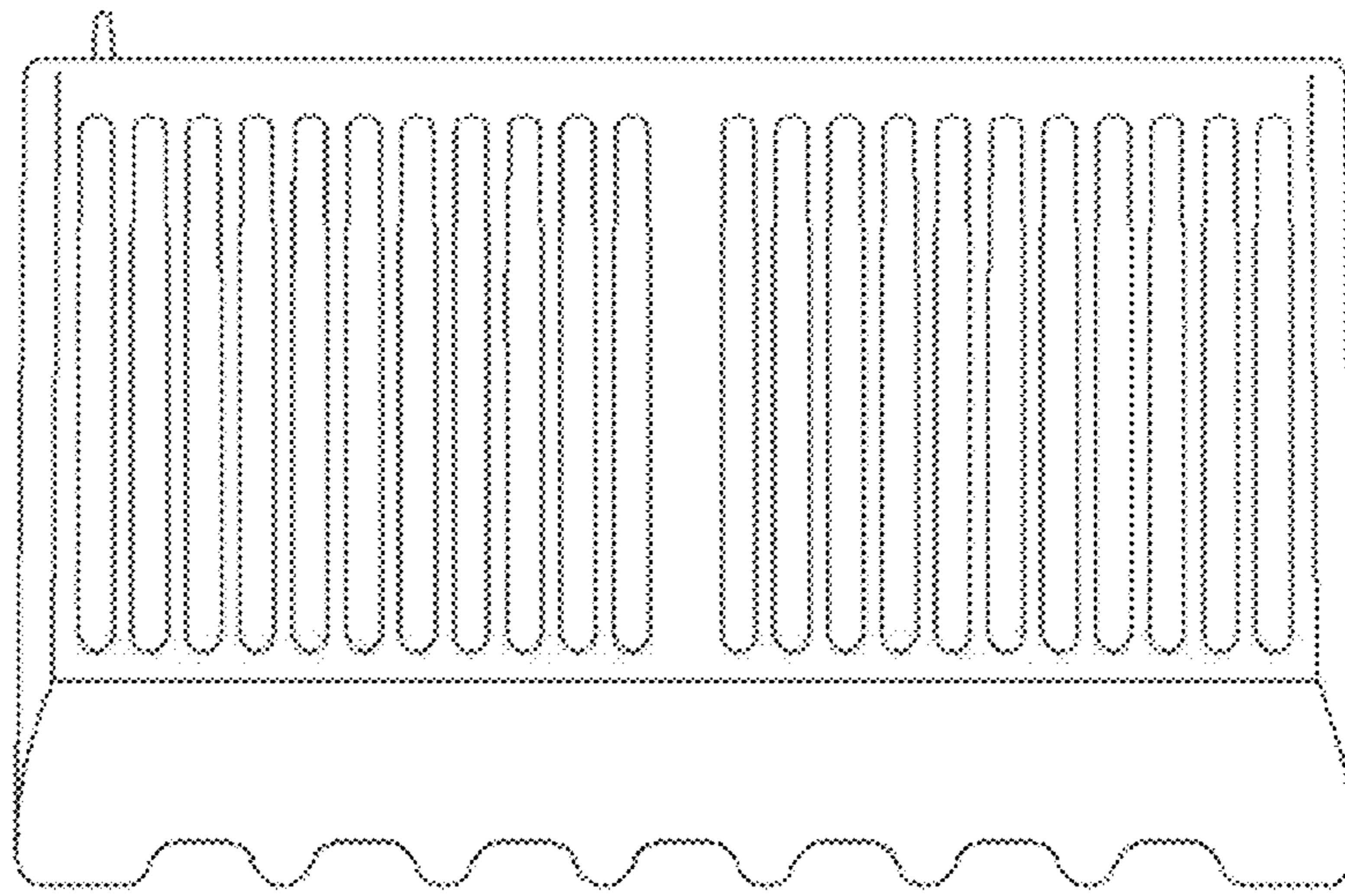


Fig. 8