



US00D795505S

(12) **United States Design Patent** (10) **Patent No.:** **US D795,505 S**  
**Yang** (45) **Date of Patent:** **\*\* Aug. 22, 2017**

(54) **FISH TANK**  
(71) Applicant: **Shenzhen Xingrisheng Industrial Co., Ltd., Shenzhen (CN)**  
(72) Inventor: **Bangbing Yang, Shenzhen (CN)**  
(73) Assignee: **SHENZHEN XINGRISHENG INDUSTRIAL CO., LTD., Shenzhen (CN)**

D429,503 S \* 8/2000 Hsieh ..... D21/483  
D448,124 S \* 9/2001 Wang ..... D30/101  
D553,304 S \* 10/2007 Wang ..... D30/101  
D690,057 S \* 9/2013 Wehr ..... D21/714  
D701,003 S \* 3/2014 Xu ..... D30/101  
D701,352 S \* 3/2014 Xu ..... D30/101  
D704,382 S \* 5/2014 Wu ..... D30/101  
D723,745 S \* 3/2015 Xu ..... D30/101  
2015/0101540 A1\* 4/2015 Allen ..... A01K 63/06  
119/247

(\*\*) Term: **15 Years**  
(21) Appl. No.: **29/579,033**  
(22) Filed: **Sep. 27, 2016**

(30) **Foreign Application Priority Data**  
Apr. 12, 2016 (CN) ..... 2016 3 0120614  
(51) **LOC (10) Cl.** ..... **30-02**  
(52) **U.S. Cl.**  
USPC ..... **D30/101**  
(58) **Field of Classification Search**  
USPC ..... D30/101-106, 108; 119/245-269  
CPC ..... A01K 63/00-63/02; A01K 63/003; A01K  
63/006; Y10T 428/13; F21S 4/28  
See application file for complete search history.

(56) **References Cited**  
**U.S. PATENT DOCUMENTS**  
D291,426 S \* 8/1987 Husbands ..... D11/145  
D347,911 S \* 6/1994 Tominaga ..... D30/101  
D357,556 S \* 4/1995 Hashimoto ..... D30/101  
D361,170 S \* 8/1995 Hashimoto ..... D30/101  
D397,520 S \* 8/1998 Ichikawa ..... D30/101  
D423,146 S \* 4/2000 Wang ..... D30/101

**OTHER PUBLICATIONS**

BiOrb Classic 16-Gallon Black Aquarium; Retrieved from <http://www.fishtanksdirect.com>; <http://www.fishtanksdirect.com/biorb-16-gallon-black-aquarium-10-10094111.aspx>; Retrieved on May 22, 2017.\*

\* cited by examiner

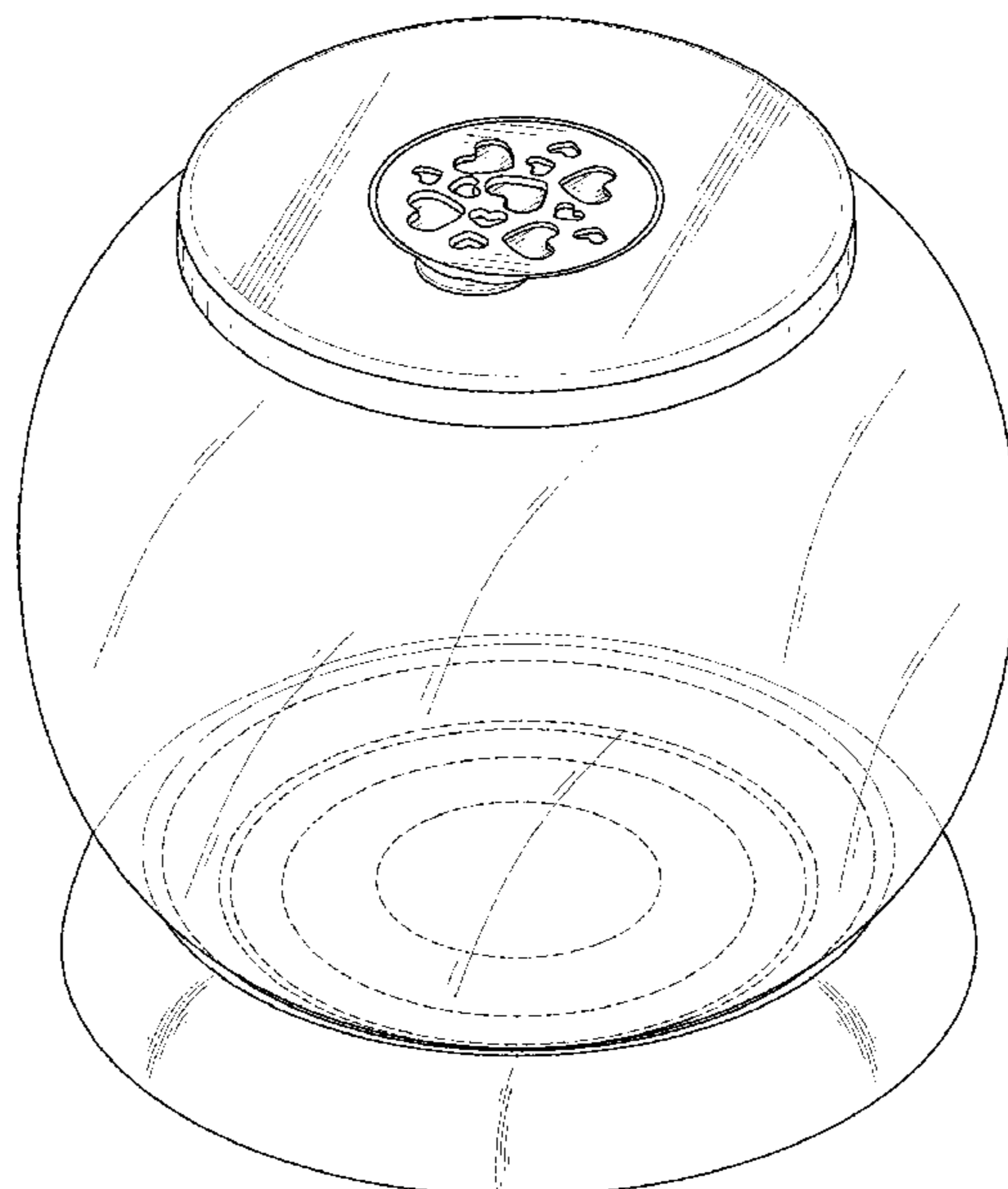
*Primary Examiner* — Wan Laymon  
*Assistant Examiner* — Clint A Samuel

(57) **CLAIM**  
The ornamental design for a fish tank, as shown and described.

**DESCRIPTION**

FIG. 1 is a front perspective view of the fish tank showing my new design;  
FIG. 2 is a back perspective view thereof;  
FIG. 3 is a front plan view thereof;  
FIG. 4 is a back plan view thereof;  
FIG. 5 is a left plan view thereof;  
FIG. 6 is a right plan view thereof; and,  
FIG. 7 is a downward plan view thereof.  
The broken line showing in the drawings is included for the purpose of illustrating unclaimed portions of the fish tank and forms no part of the claimed design.

**1 Claim, 7 Drawing Sheets**



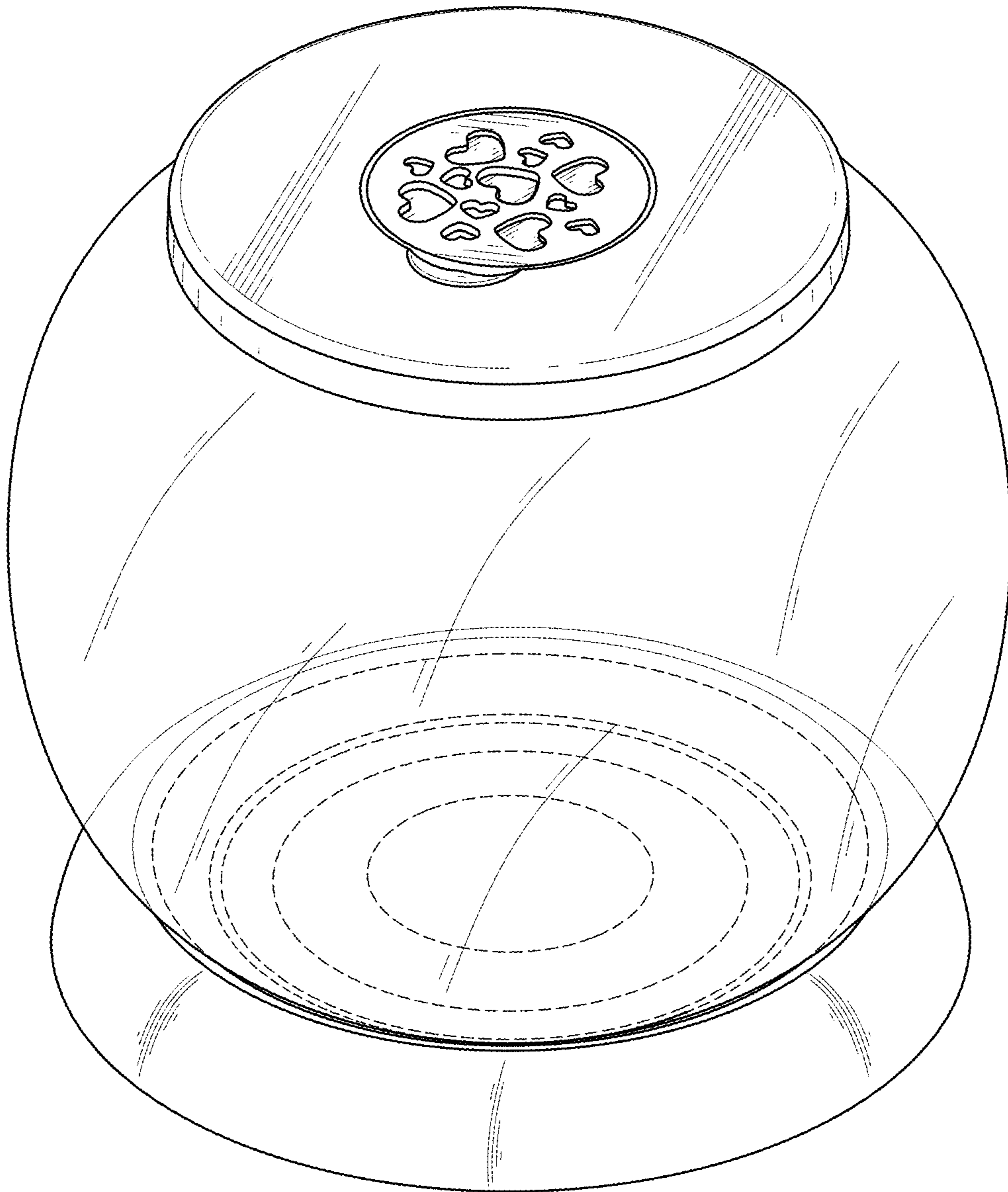


FIG. 1

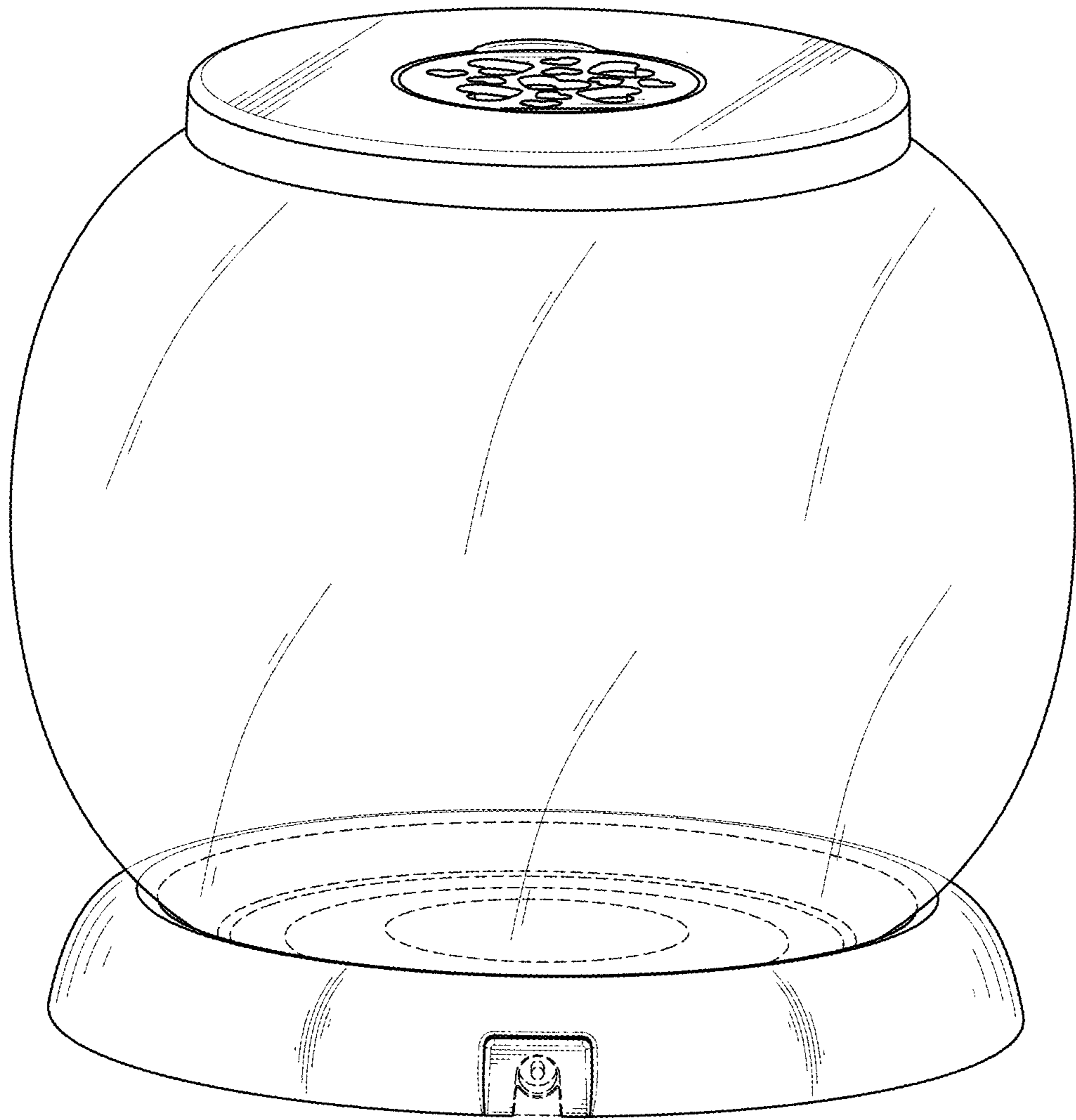


FIG. 2

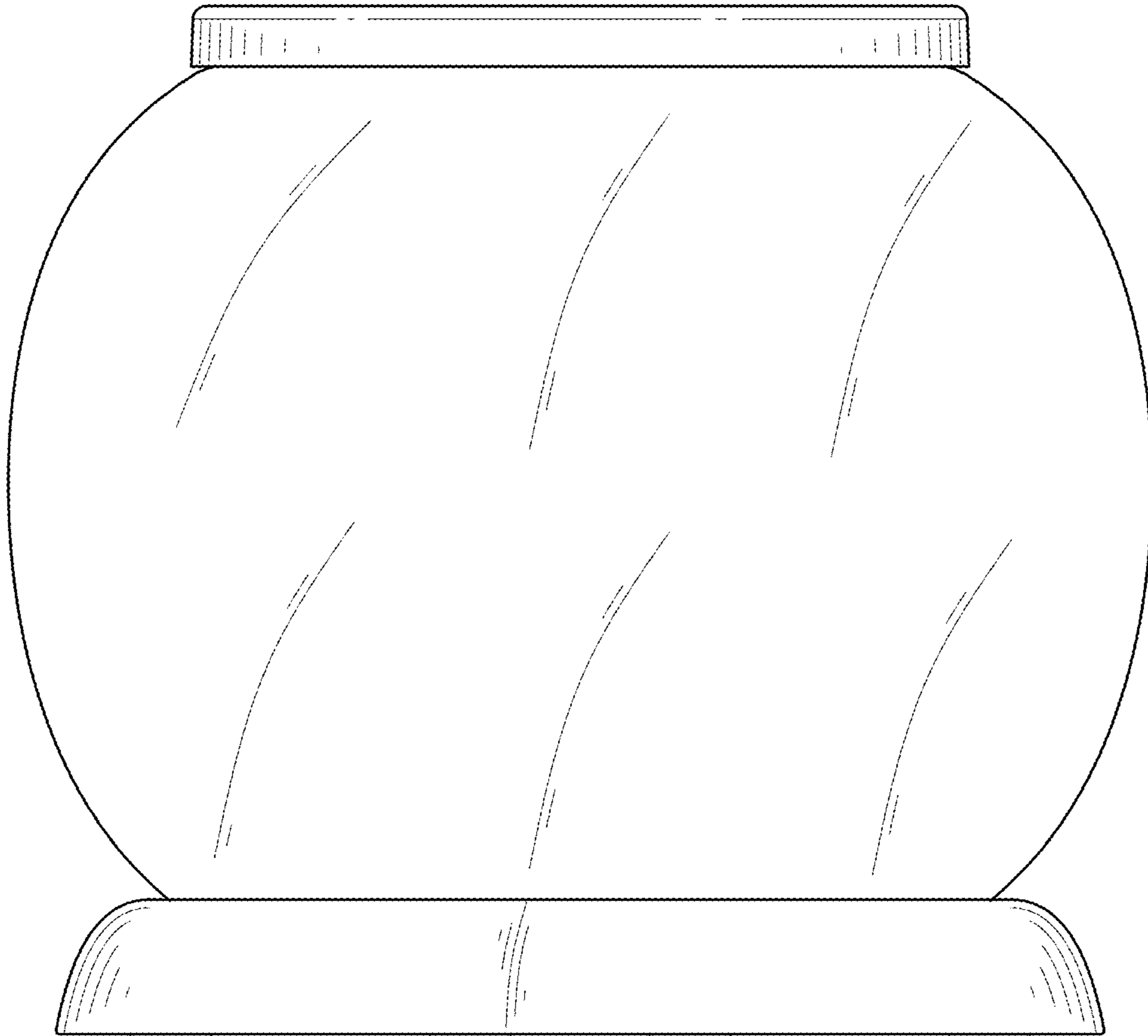


FIG. 3

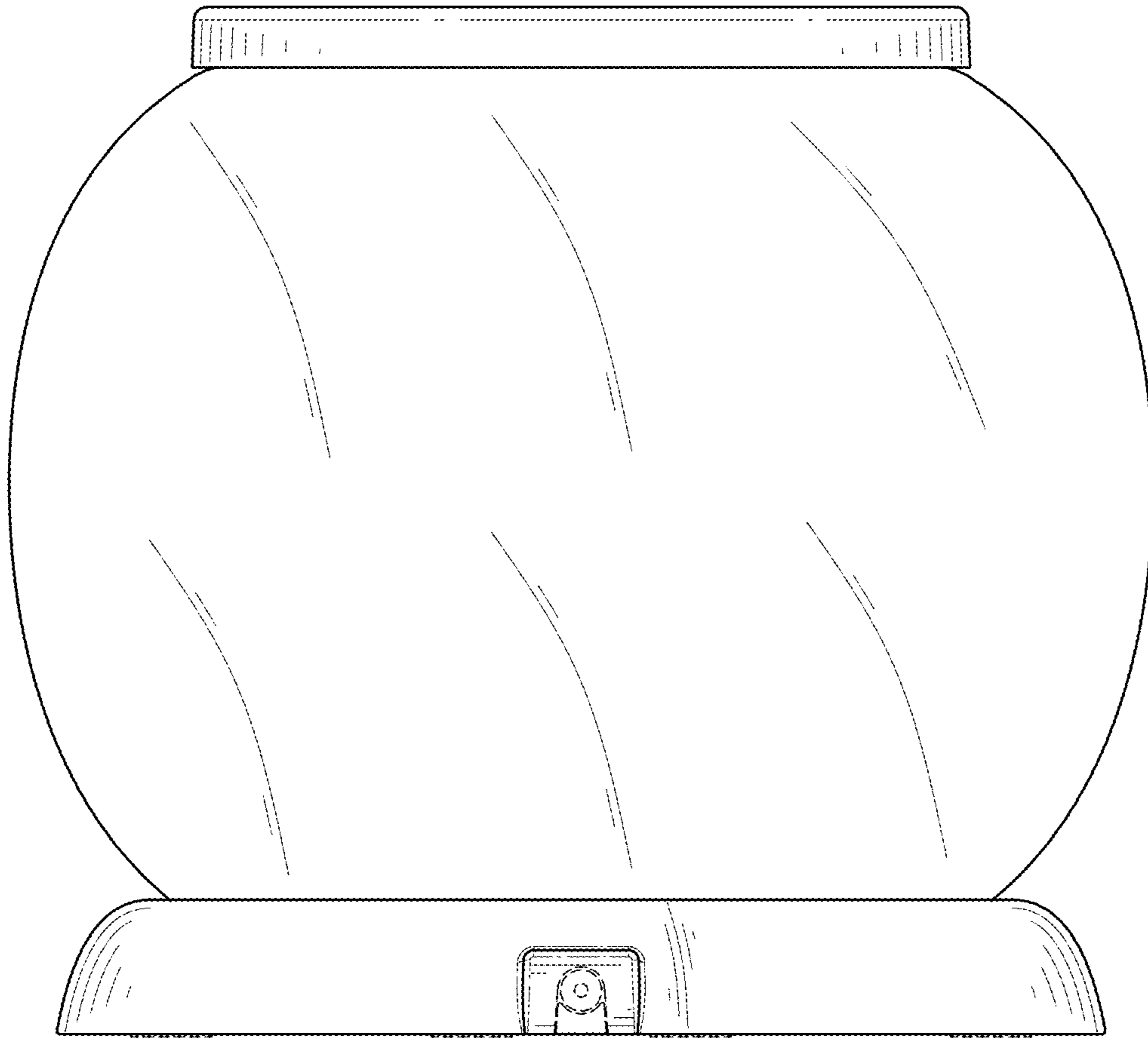


FIG. 4

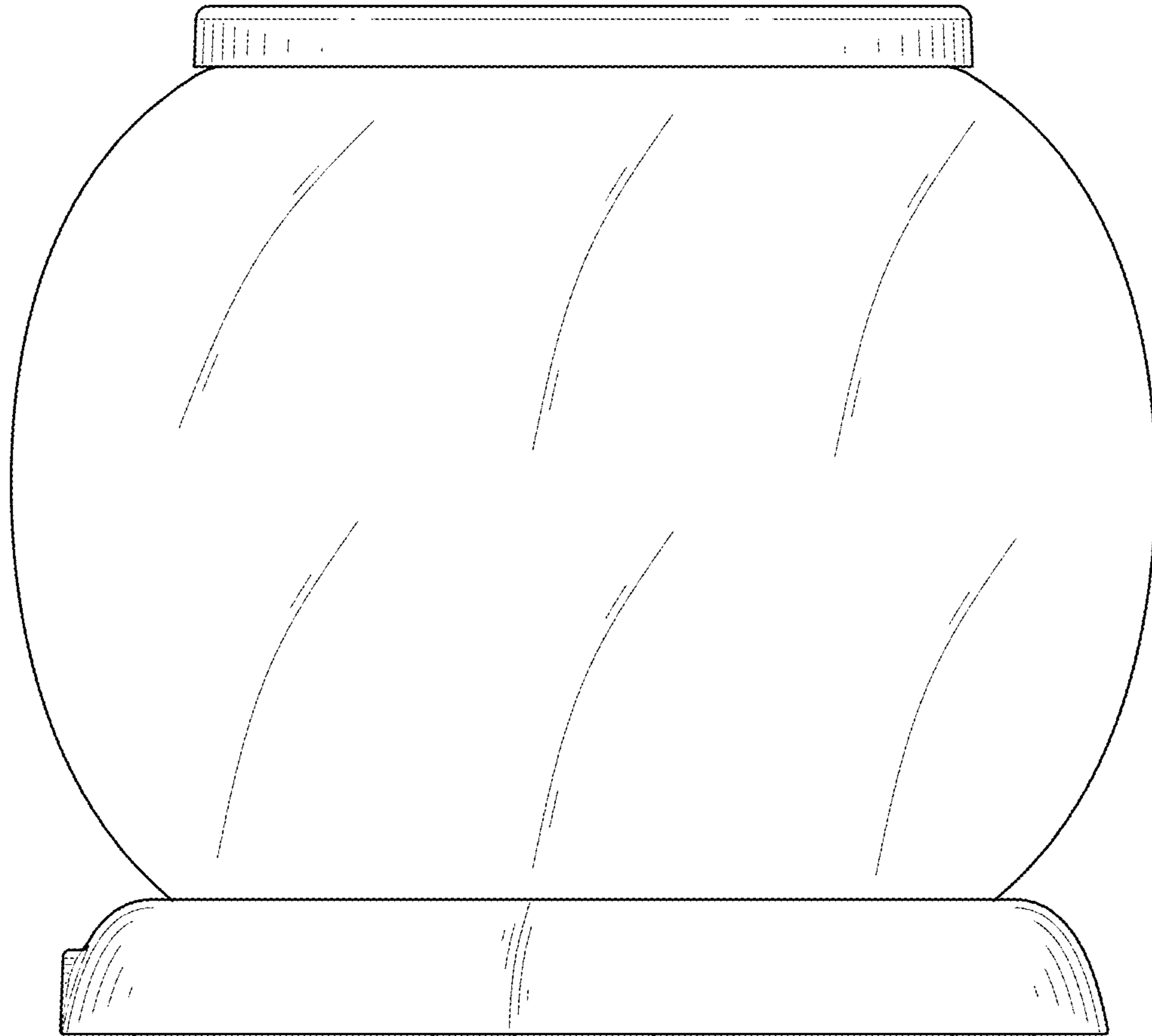


FIG. 5



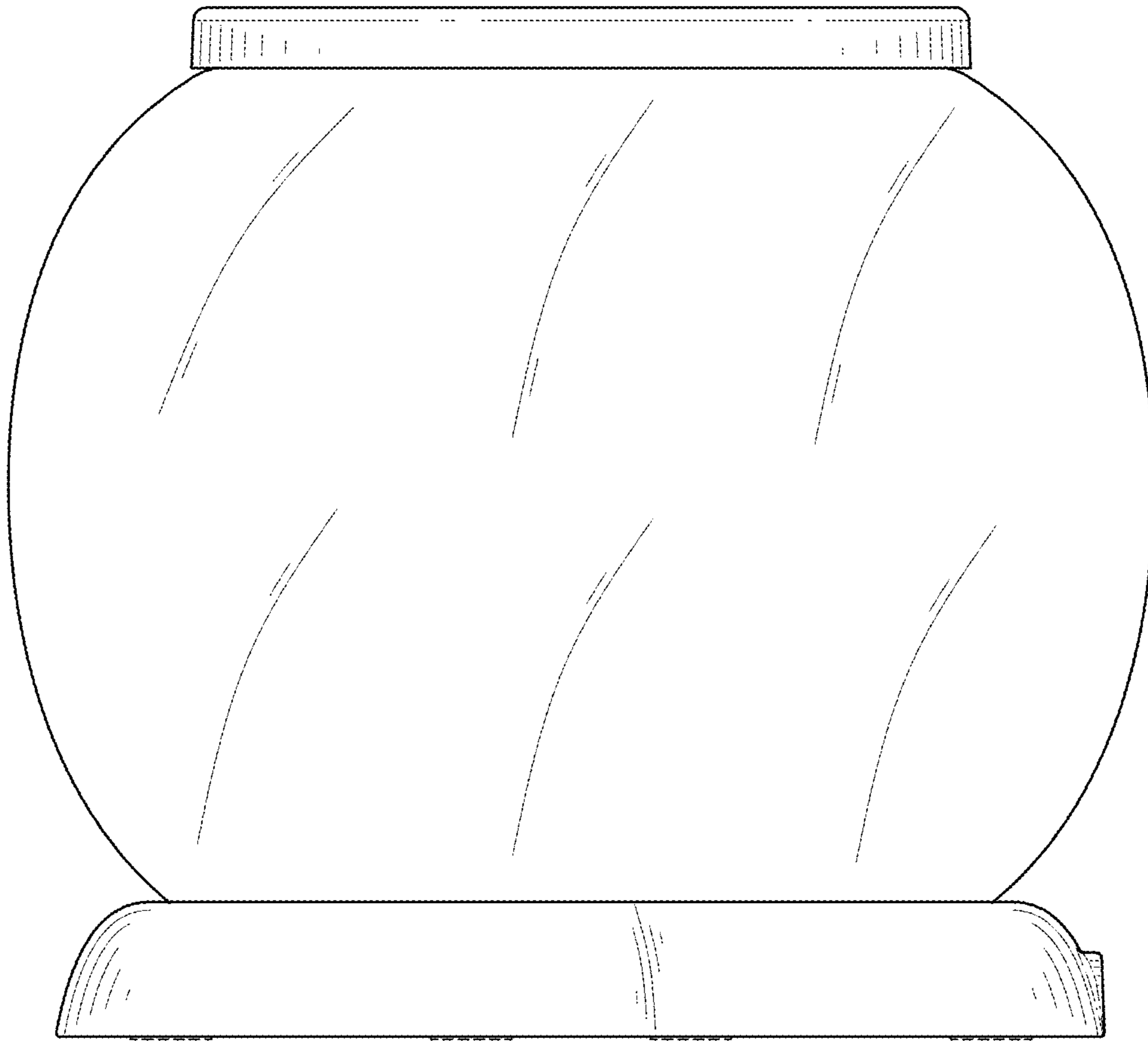


FIG. 6

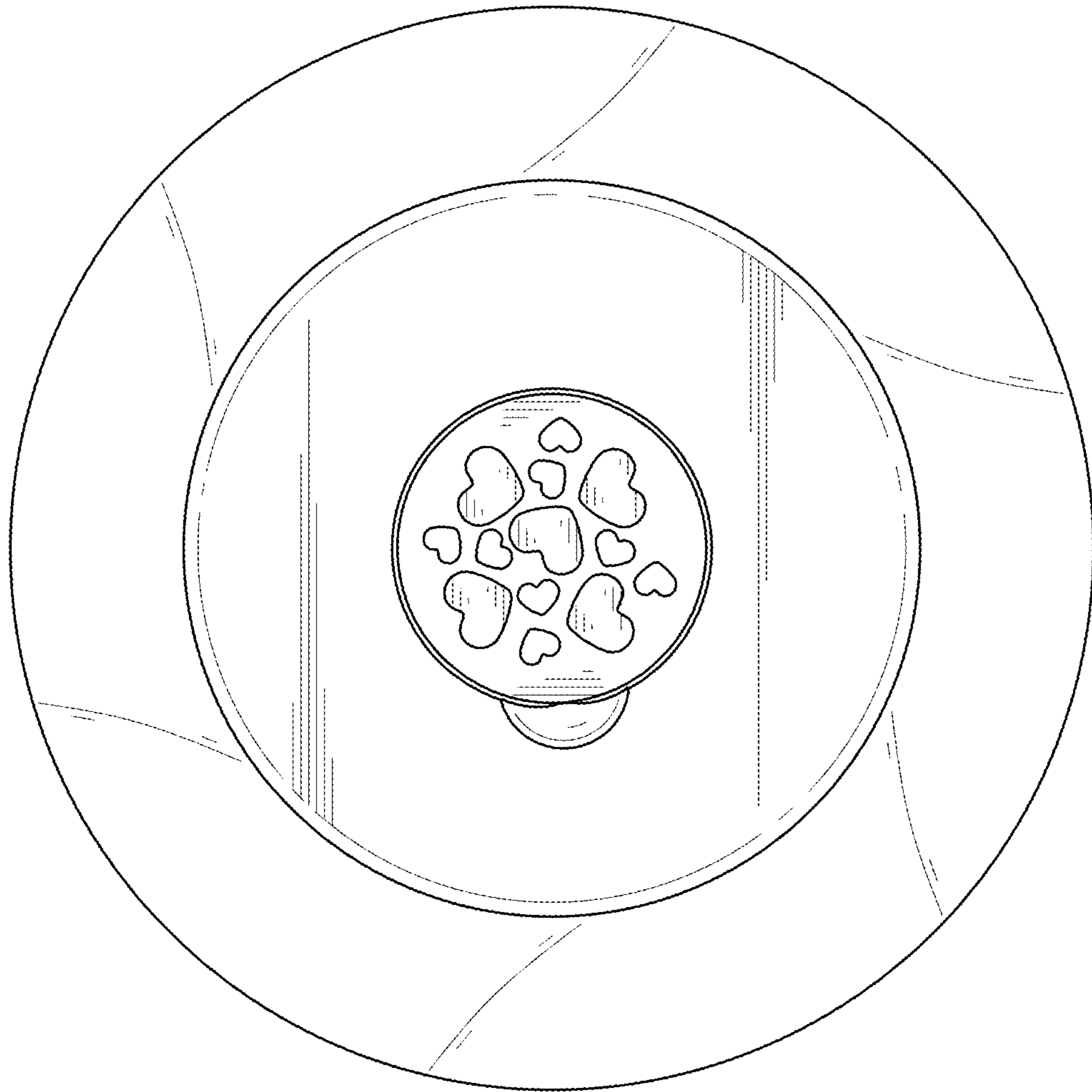


FIG. 7