



US00D795498S

(12) **United States Design Patent** (10) **Patent No.:** **US D795,498 S**
Hollinger (45) **Date of Patent:** **** Aug. 22, 2017**

(54) **DUAL HEAD PEDICURE DEVICE**
(71) Applicant: **E. MISHAN & SONS, INC.**, New York, NY (US)
(72) Inventor: **Fred Hollinger**, Monroe Township, NJ (US)

D686,370 S * 7/2013 Yiu D28/58
D692,181 S * 10/2013 Yiu D28/49
D751,253 S * 3/2016 Hollinger D28/44.1
D761,490 S * 7/2016 Hollinger D28/59
D765,914 S * 9/2016 Khubani D28/44.1
9,675,381 B2 * 6/2017 Hollinger A61B 17/54
2006/0058714 A1 * 3/2006 Rhoades A45D 24/007
601/73

(73) Assignee: **E. Mishan & Sons, Inc.**, New York, NY (US)

* cited by examiner

(**) Term: **15 Years**

Primary Examiner — Jennifer Rivard

(21) Appl. No.: **29/567,464**

(74) *Attorney, Agent, or Firm* — Notaro, Michalos & Zaccaria P.C.

(22) Filed: **Jun. 9, 2016**

(57) **CLAIM**

(51) **LOC (10) Cl.** **28-03**

The ornamental design for a dual head pedicure device, as shown and described.

(52) **U.S. Cl.**

USPC **D28/58**; D28/59; D28/44.1; D24/133

(58) **Field of Classification Search**

DESCRIPTION

USPC D28/56, 57, 58, 59, 44.1; D24/133, 147
CPC A45D 29/14; A45D 29/05; A45D 29/00;
A45D 44/00; A45D 2200/1054; A61B
2017/320004; A61B 17/54

FIG. 1 is a front, left, top perspective view of a dual head pedicure device showing my design therefor;
FIG. 2 is a front elevation view thereof;
FIG. 3 is a rear elevation view thereof;
FIG. 4 is a left side elevation view thereof;
FIG. 5 is a right side elevation view thereof;
FIG. 6 is a top plan view thereof; and,
FIG. 7 is a bottom plan view thereof.

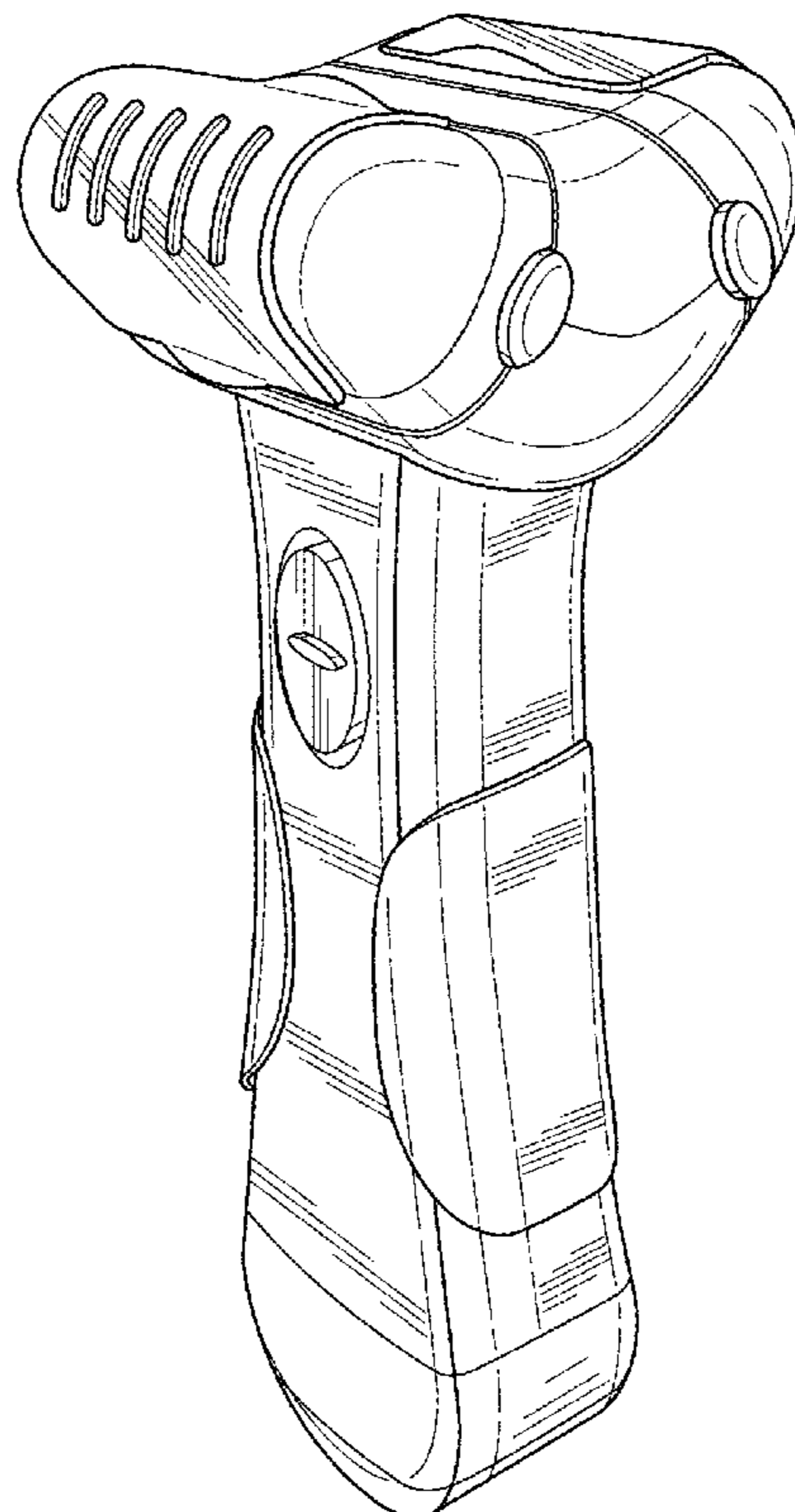
See application file for complete search history.

(56) **References Cited**

U.S. PATENT DOCUMENTS

D676,200 S * 2/2013 Yiu D28/58
D681,277 S * 4/2013 Yiu D28/49

1 Claim, 6 Drawing Sheets



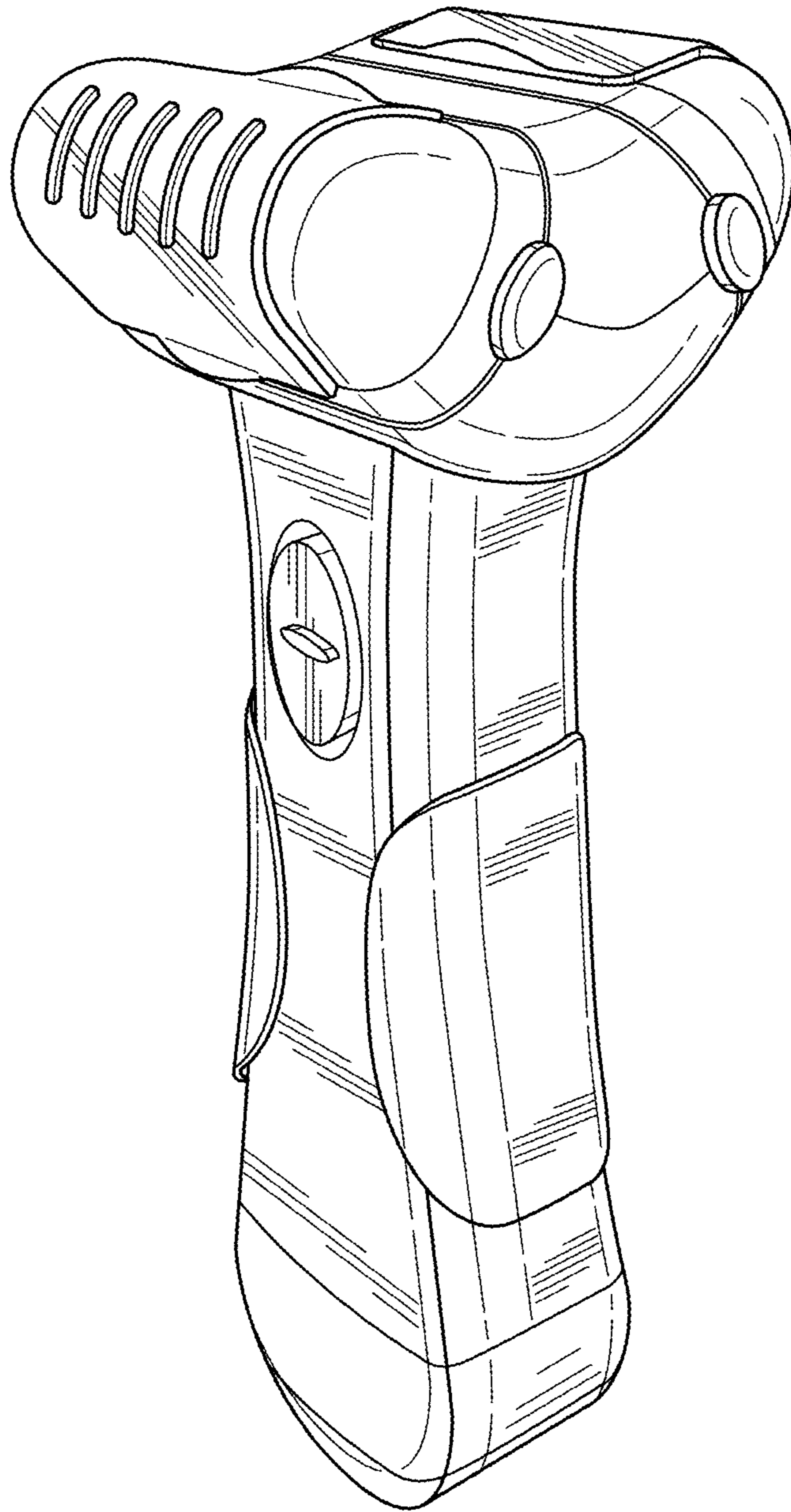


FIG. 1

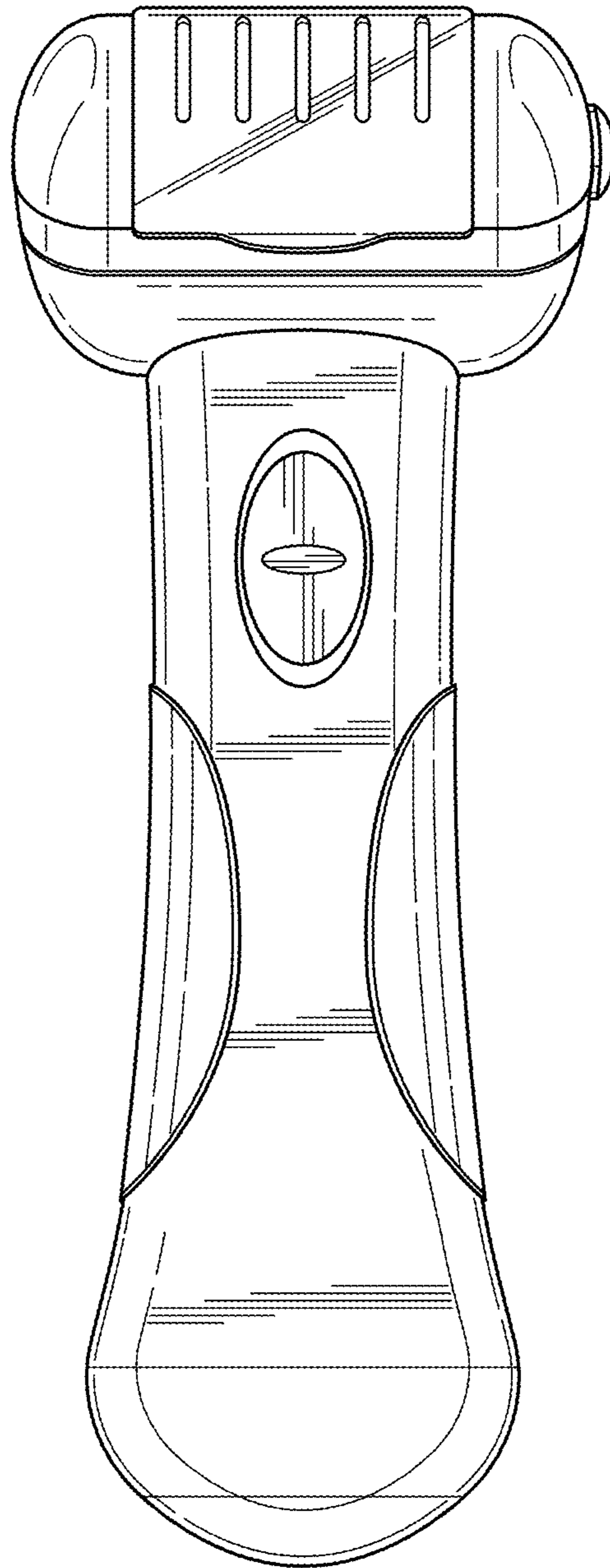


FIG. 2

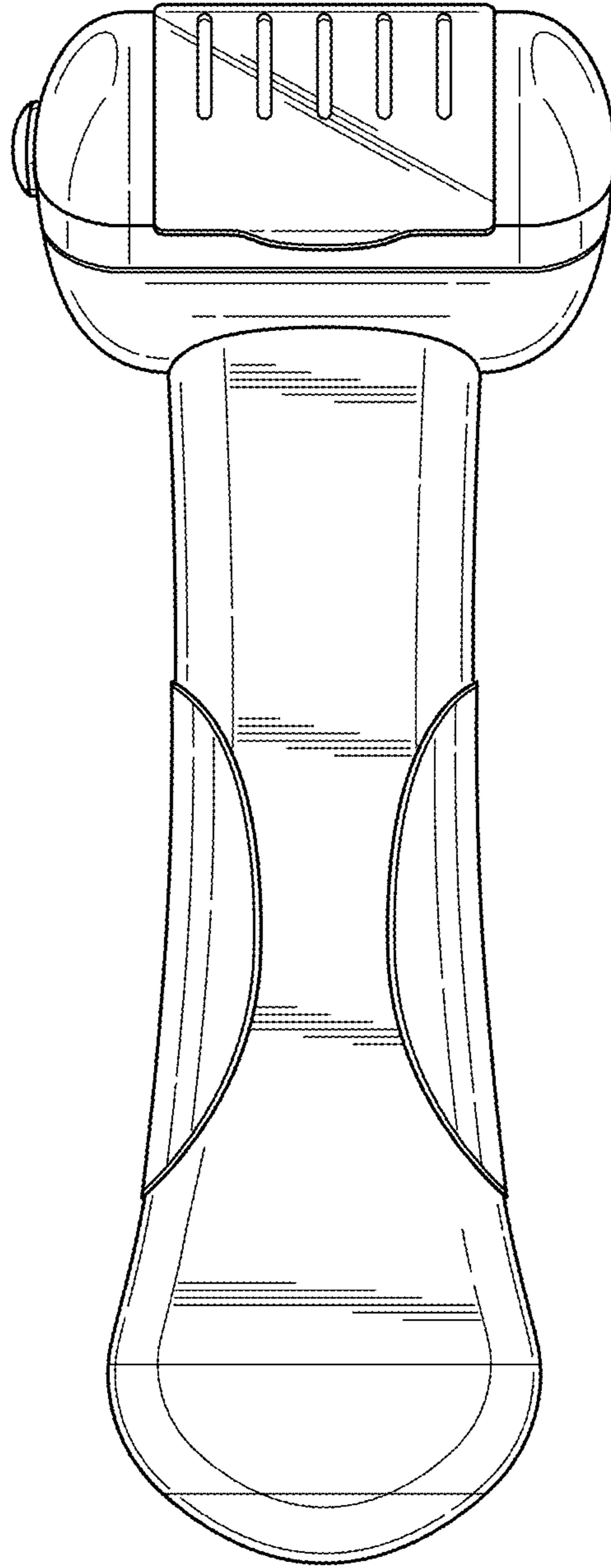


FIG. 3

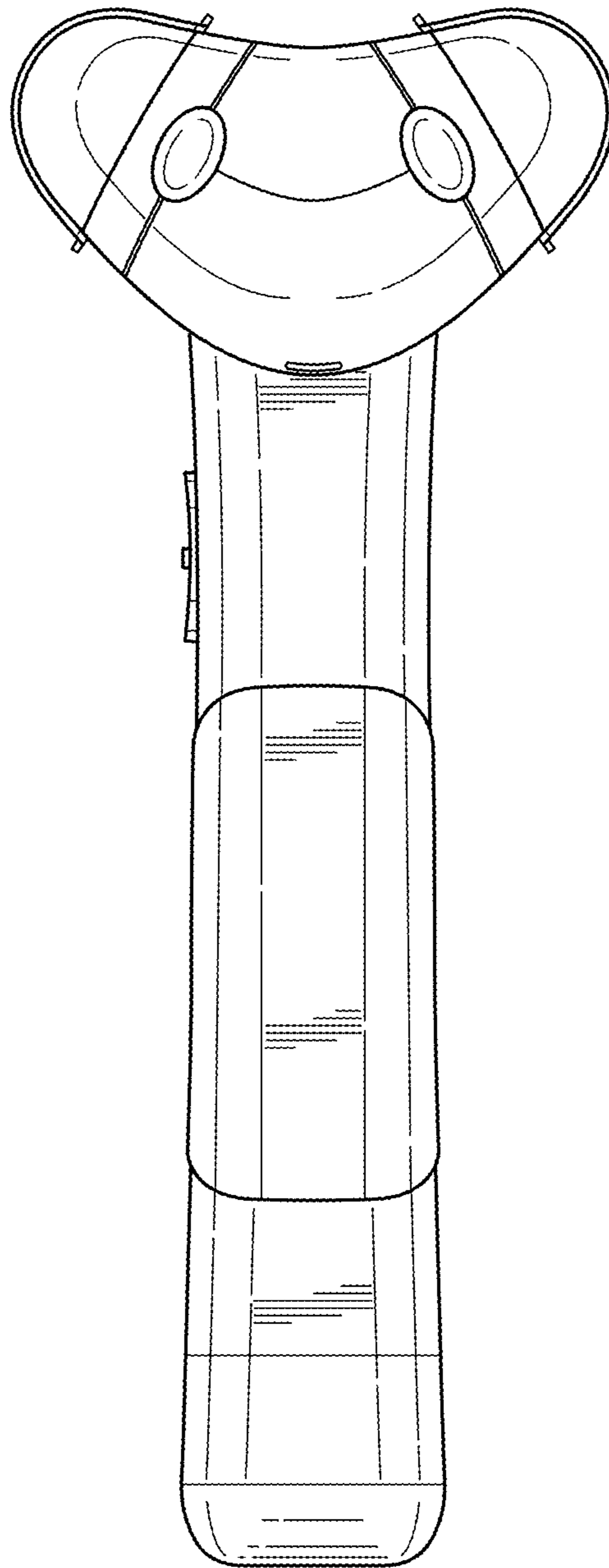


FIG. 4

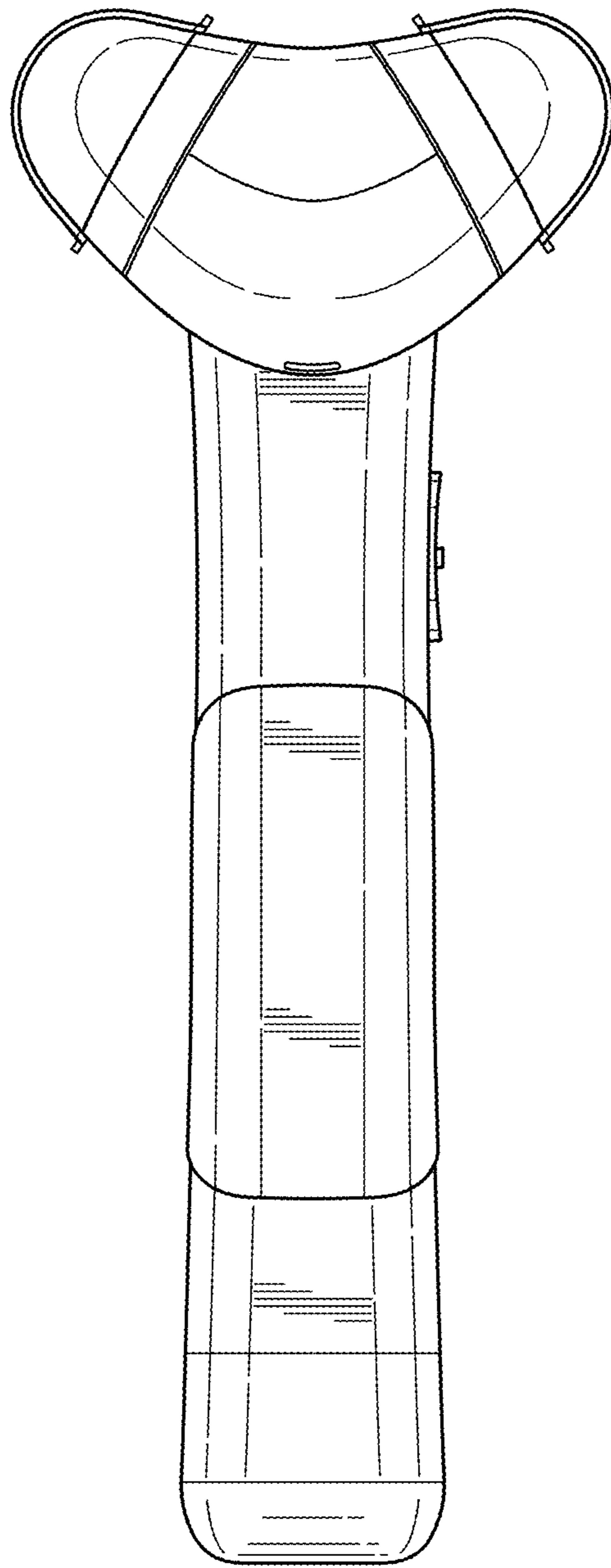


FIG. 5

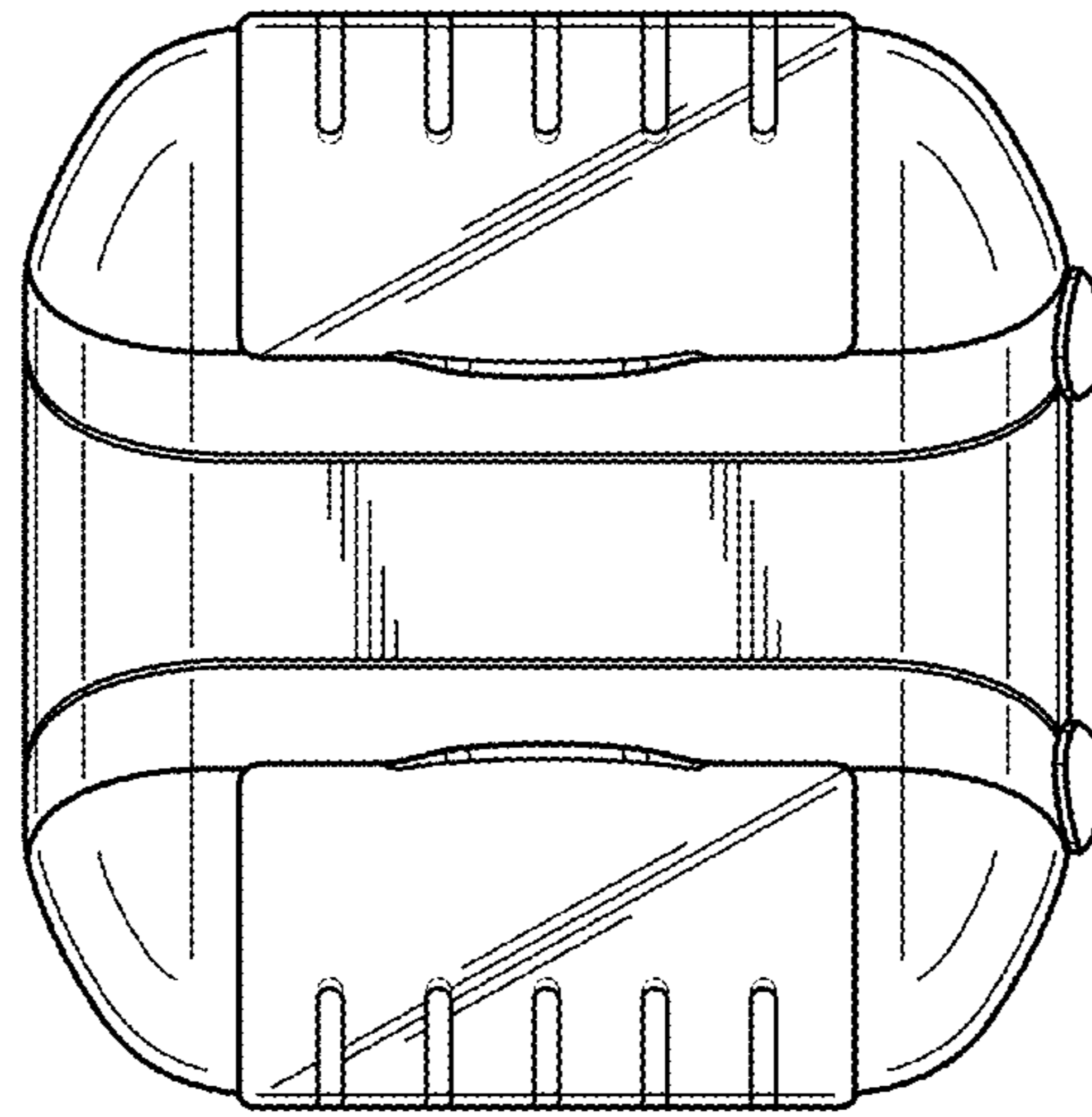


FIG. 6

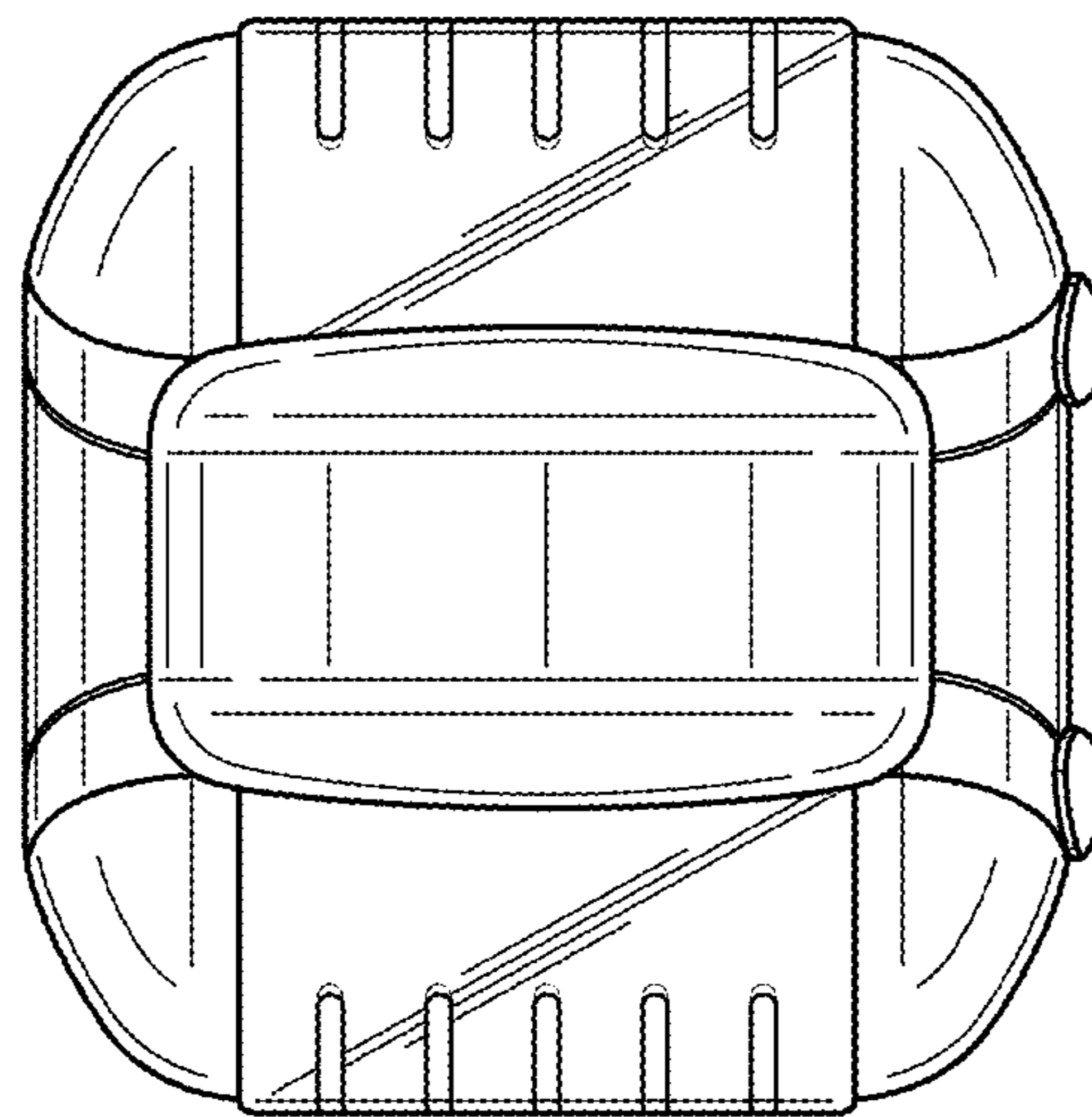


FIG. 7