



US00D795493S

(12) **United States Design Patent**
Ellis et al.

(10) **Patent No.:** **US D795,493 S**

(45) **Date of Patent:** **** Aug. 22, 2017**

(54) **LAMP STRUCTURE**

(71) Applicant: **RGF ENVIRONMENTAL GROUP, INC.**, Riviera Beach, FL (US)

(72) Inventors: **Walter B. Ellis**, Jupiter, FL (US);
Sergei Chtchavelev, Greenacres, FL (US)

(73) Assignee: **RGF ENVIRONMENTAL GROUP, INC.**, Riviera Beach, FL (US)

(**) Term: **15 Years**

(21) Appl. No.: **29/537,810**

(22) Filed: **Aug. 28, 2015**

(51) **LOC (10) Cl.** **26-99**

(52) **U.S. Cl.**
USPC **D26/142**

(58) **Field of Classification Search**
USPC D26/2, 28, 72, 89, 113, 118, 119, 120,
D26/122, 124, 128, 138, 142, 143, 145,
D26/60; D13/180

CPC F41C 27/00; F41C 33/0254; G02B 5/045;
G02B 5/189; F21S 8/00; F21S 8/03;
F21S 8/026; F21S 8/02; F21S 8/003;
F21S 8/043; F21S 8/06; F21S 8/04; F21V
7/005; F21V 15/01; F21V 15/04; F21V
25/00; G02F 2001/133607; F21Y 2103/00

See application file for complete search history.

(56) **References Cited**

U.S. PATENT DOCUMENTS

D274,473 S * 6/1984 de Boer D26/60
5,453,917 A * 9/1995 Ogawa E04G 1/06
362/152

D425,234 S * 5/2000 Marier D26/60
7,704,463 B2 4/2010 Willette
D701,639 S * 3/2014 Maxik D26/138
D744,668 S * 12/2015 Meyers D25/163
D750,318 S * 2/2016 Ladnier D26/138
D771,863 S * 11/2016 Ellis D26/142
9,506,634 B1 * 11/2016 Ellis F21V 19/008
2010/0302773 A1 * 12/2010 Kokoski F21L 14/023
362/231
2014/0208574 A1 * 7/2014 Aycock F21V 21/096
29/525.01
2014/0268719 A1 * 9/2014 Wu F21V 17/002
362/218
2014/0268727 A1 * 9/2014 Amrine, Jr. F21K 9/17
362/224

* cited by examiner

Primary Examiner — Eric Goodman

Assistant Examiner — Sanjeev Paul

(74) *Attorney, Agent, or Firm* — Rothwell, Figg, Ernst & Manbeck, P.C.

(57) **CLAIM**

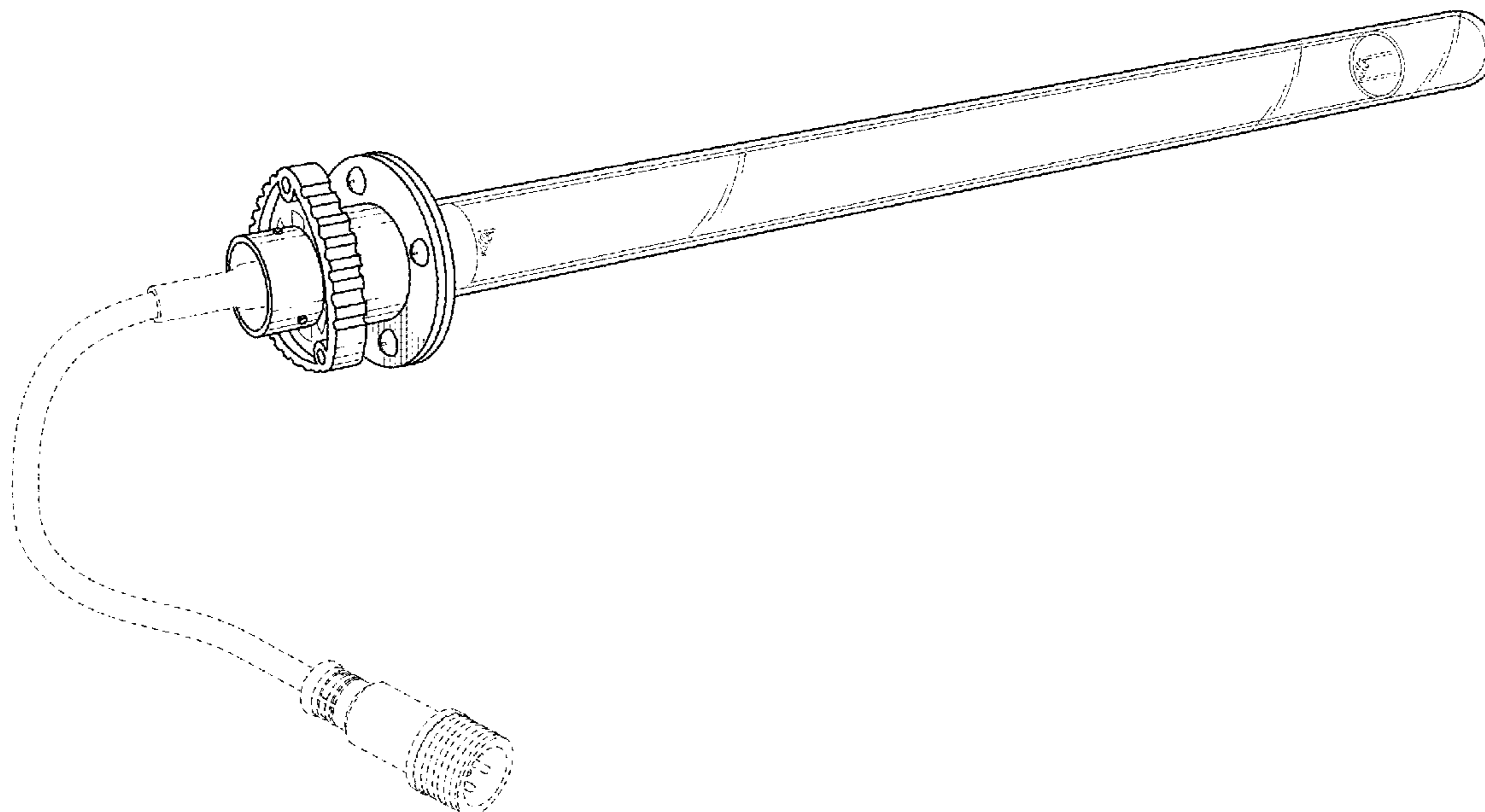
The ornamental design for a lamp structure, as shown and described.

DESCRIPTION

FIG. 1 shows a perspective view of the lamp structure;
FIG. 2 shows a top side elevation view thereof;
FIG. 3 shows a front plan view thereof;
FIG. 4 shows a rear plan view thereof;
FIG. 5 shows a left side elevation view thereof;
FIG. 6 shows a right side elevation view thereof;
FIG. 7 shows a bottom side elevation view thereof; and,
FIG. 8 shows an exploded view thereof.

The broken lines of FIG. 1 to FIG. 8 illustrate portions of the lamp structure that form no part of the claimed design.

1 Claim, 6 Drawing Sheets



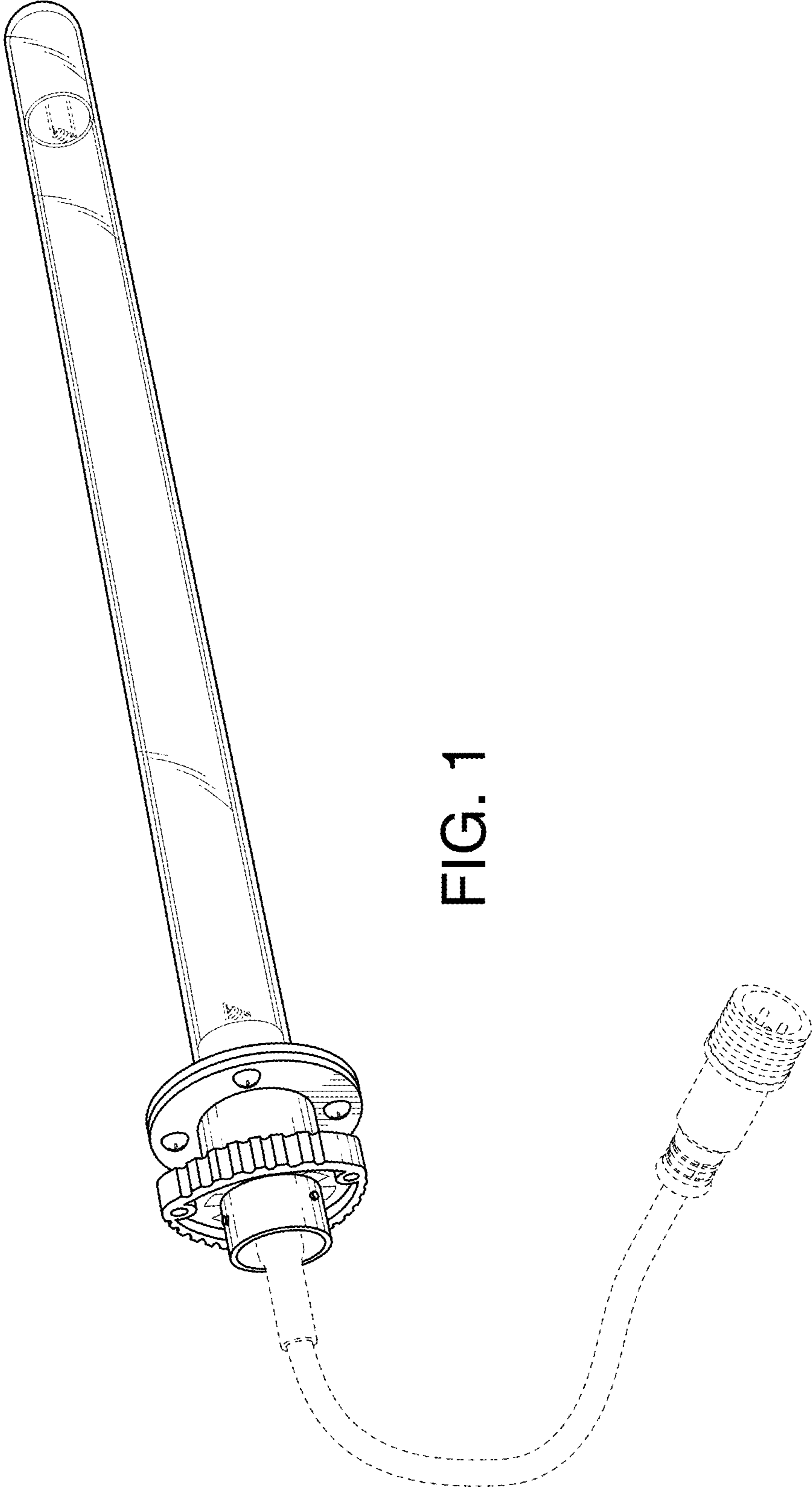


FIG. 1

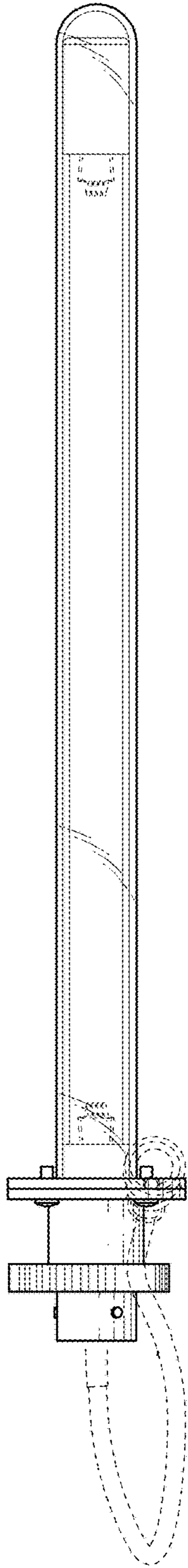


FIG. 2

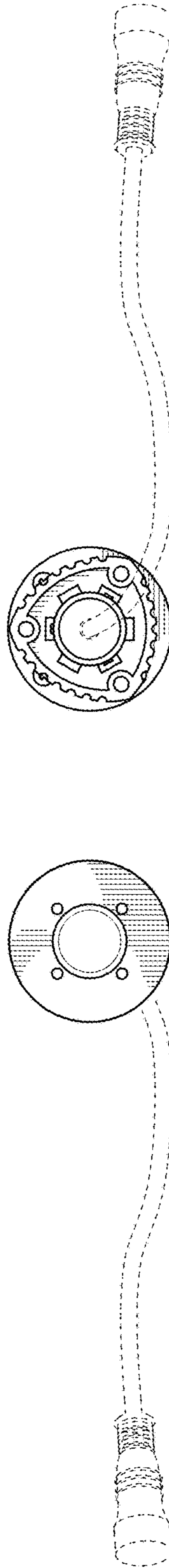


FIG. 3

FIG. 4

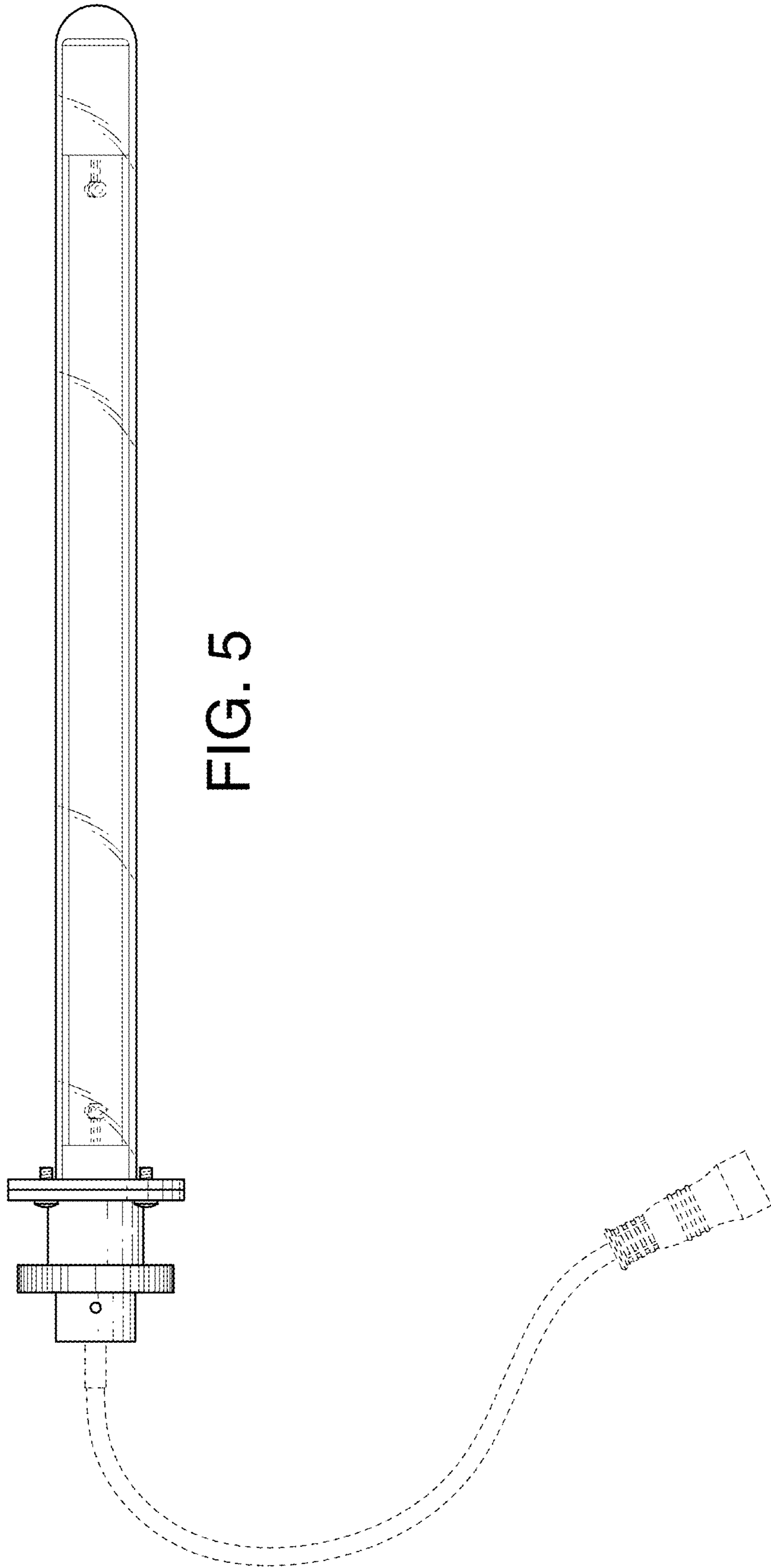


FIG. 5

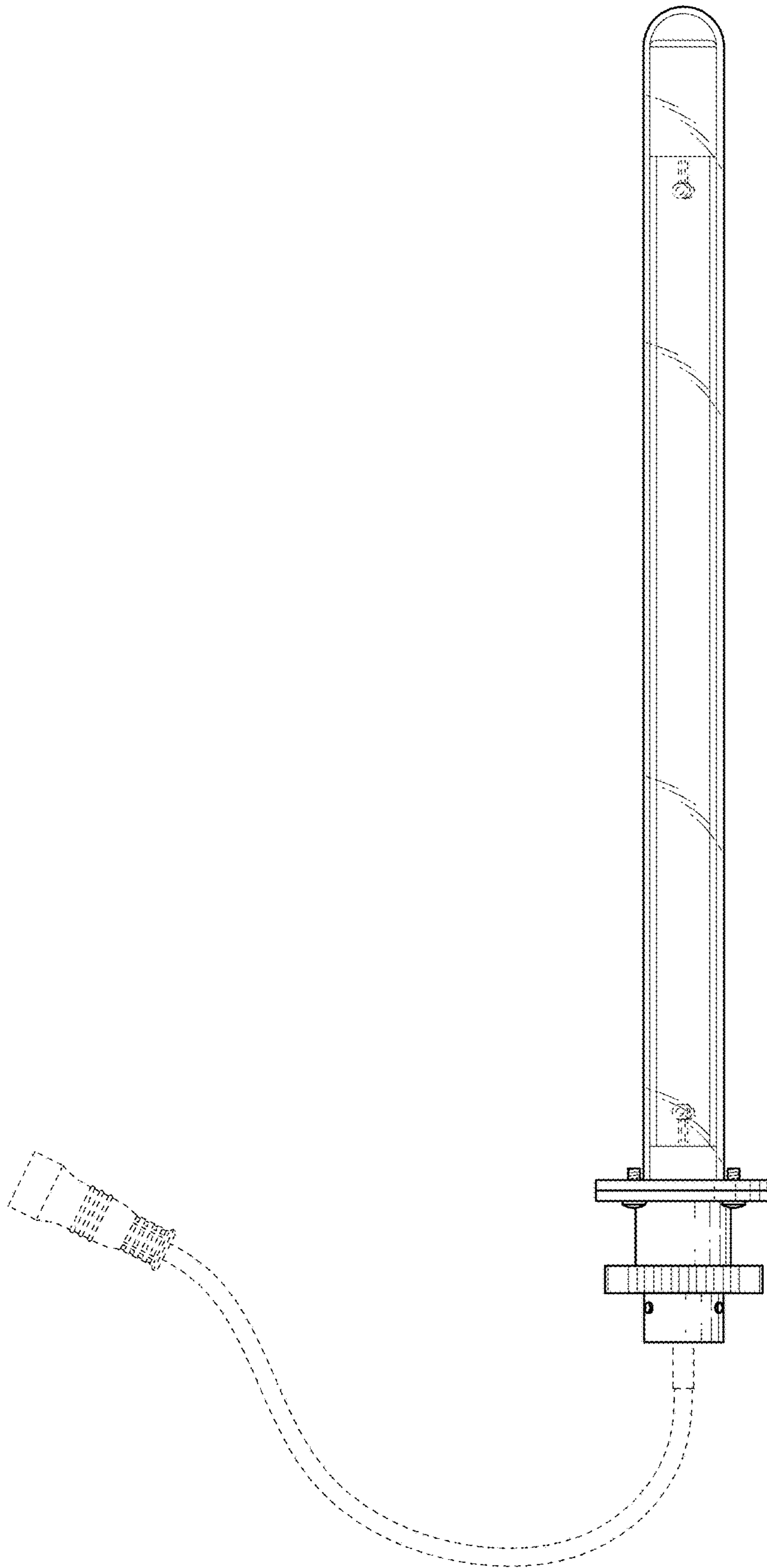


FIG. 6

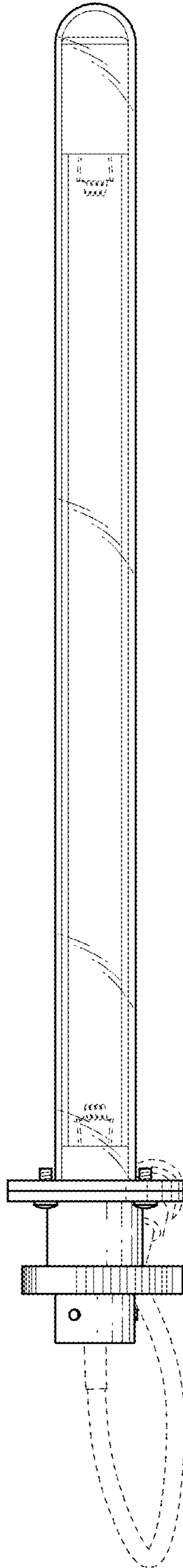


FIG. 7

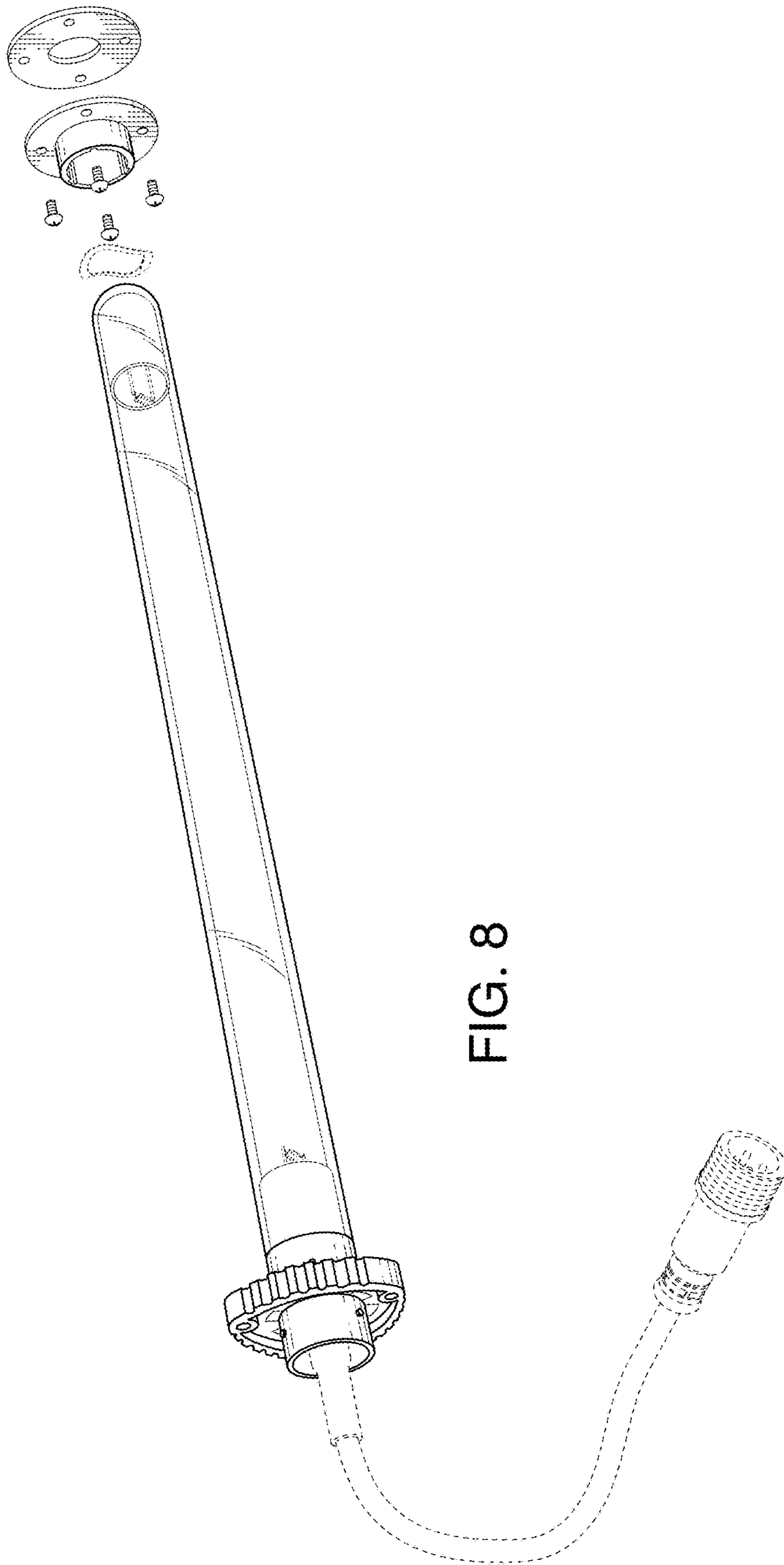


FIG. 8