



US00D795489S

(12) **United States Design Patent**  
**Pouzet**

(10) **Patent No.:** **US D795,489 S**

(45) **Date of Patent:** **\*\* Aug. 22, 2017**

(54) **PLANT LAMP**

(71) Applicant: **Daniel Pouzet**, Draguignan (FR)

(72) Inventor: **Daniel Pouzet**, Draguignan (FR)

(73) Assignee: **Sage Vertical Garden Systems, LLC**,  
Chicago, IL (US)

(\*\*) Term: **15 Years**

(21) Appl. No.: **29/568,246**

(22) Filed: **Jun. 16, 2016**

(51) **LOC (10) Cl.** ..... **26-03**

(52) **U.S. Cl.**  
USPC ..... **D26/107**

(58) **Field of Classification Search**  
USPC ..... D26/1, 24, 93, 104, 106, 107, 109, 110,  
D26/127  
CPC ..... F21S 6/00; F21S 6/043; F21S 8/08; F21V  
21/00; F21V 21/02; F21W 2121/00;  
F21W 2131/30

See application file for complete search history.

(56) **References Cited**

**U.S. PATENT DOCUMENTS**

D393,090 S \* 3/1998 Giese ..... D26/107  
D401,004 S \* 11/1998 Eusterbrock ..... D26/107

D401,377 S \* 11/1998 Eusterbrock ..... D26/107  
D475,320 S \* 6/2003 Hensley ..... D11/118  
D600,849 S \* 9/2009 Osgerby ..... D26/107  
D747,028 S \* 1/2016 Liang ..... D26/107  
D771,859 S \* 11/2016 Bracher ..... D26/107

\* cited by examiner

*Primary Examiner* — Brian N Vinson

(74) *Attorney, Agent, or Firm* — James P. Hanrath

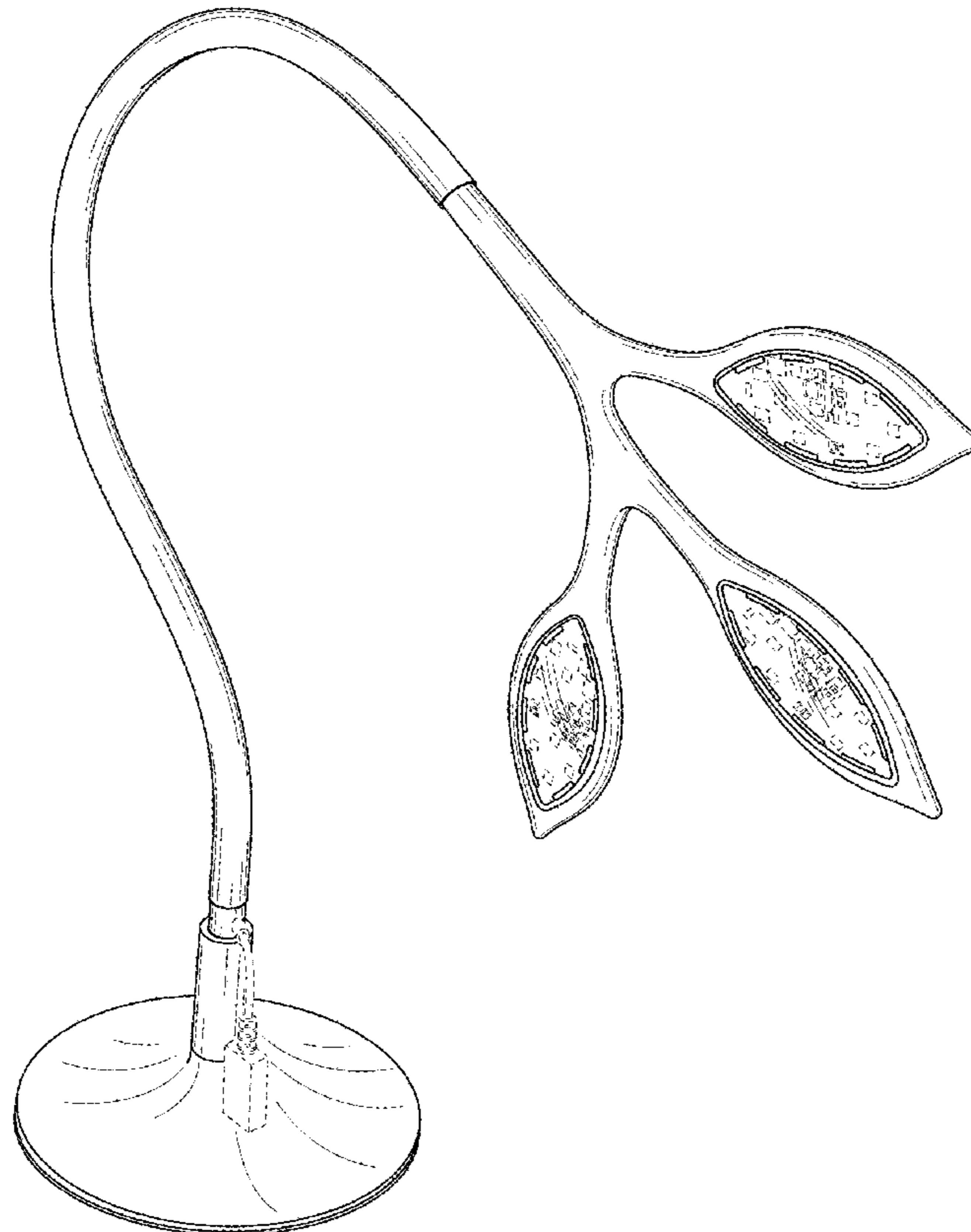
(57) **CLAIM**

The ornamental design for a plant lamp, as shown and described.

**DESCRIPTION**

FIG. 1 is a front perspective view showing a plant lamp in accordance with a first embodiment of the present invention; FIG. 2 is a front elevation view of FIG. 1; FIG. 3 is a rear elevation view of FIG. 1; FIG. 4 is a right side view of FIG. 1; FIG. 5 is a left side view of FIG. 1; FIG. 6 is a top plan view of FIG. 1; FIG. 7 is a bottom plan view of FIG. 1; and, FIG. 8 is a rear perspective view of FIG. 1. The broken lines shown in the figures are included to show unclaimed matter only and form no part of the claimed design.

**1 Claim, 6 Drawing Sheets**



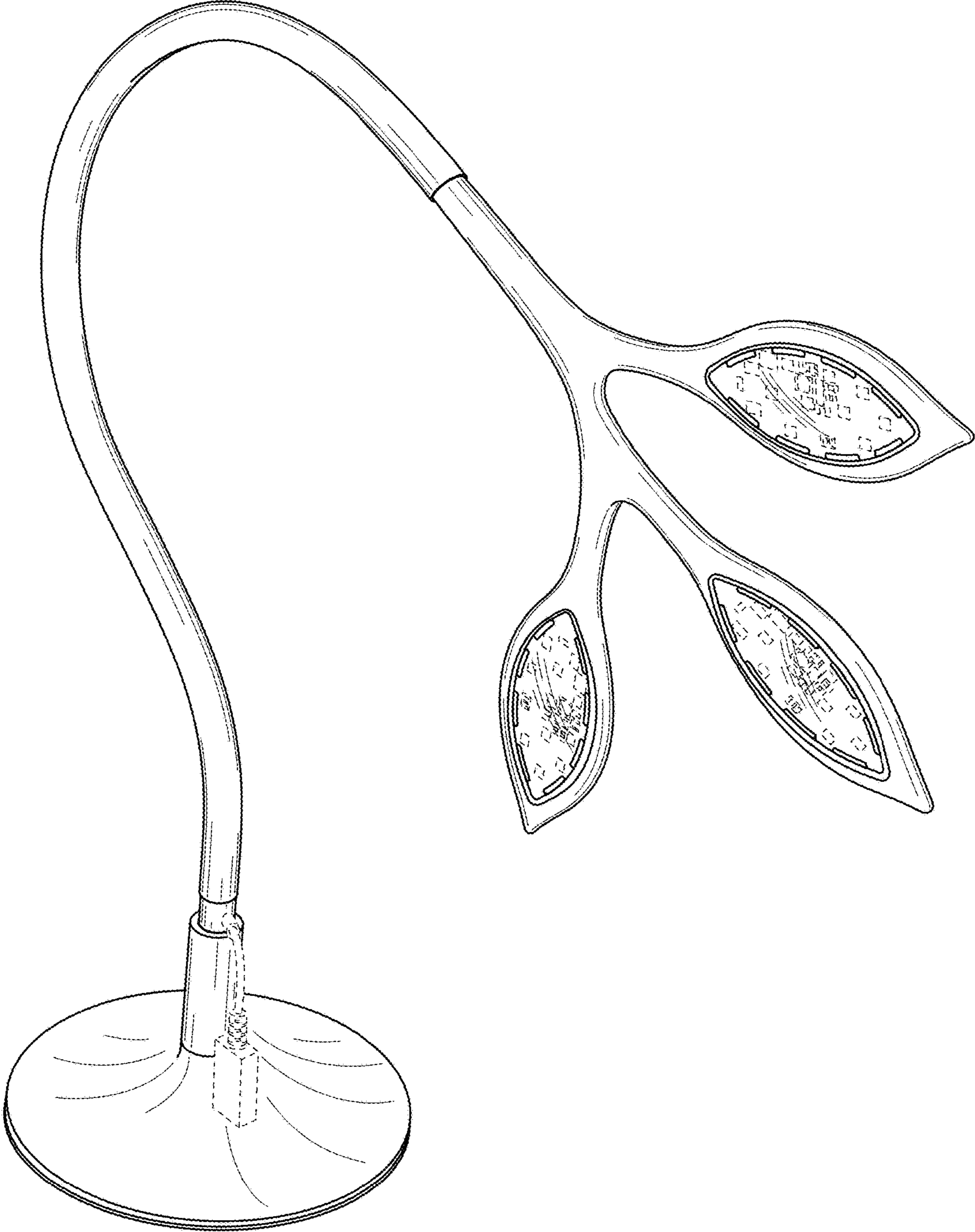


FIG. 1

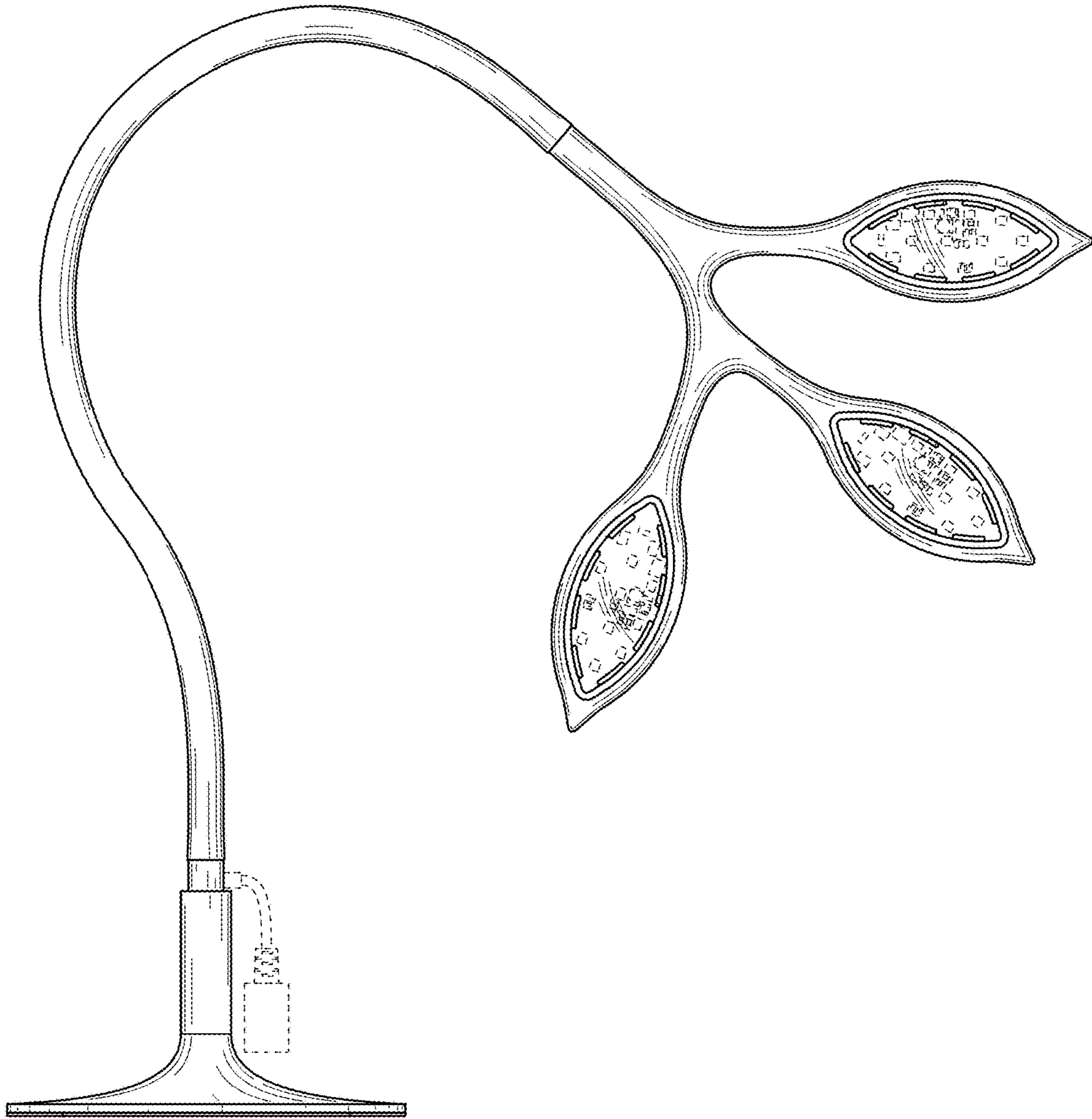


FIG. 2

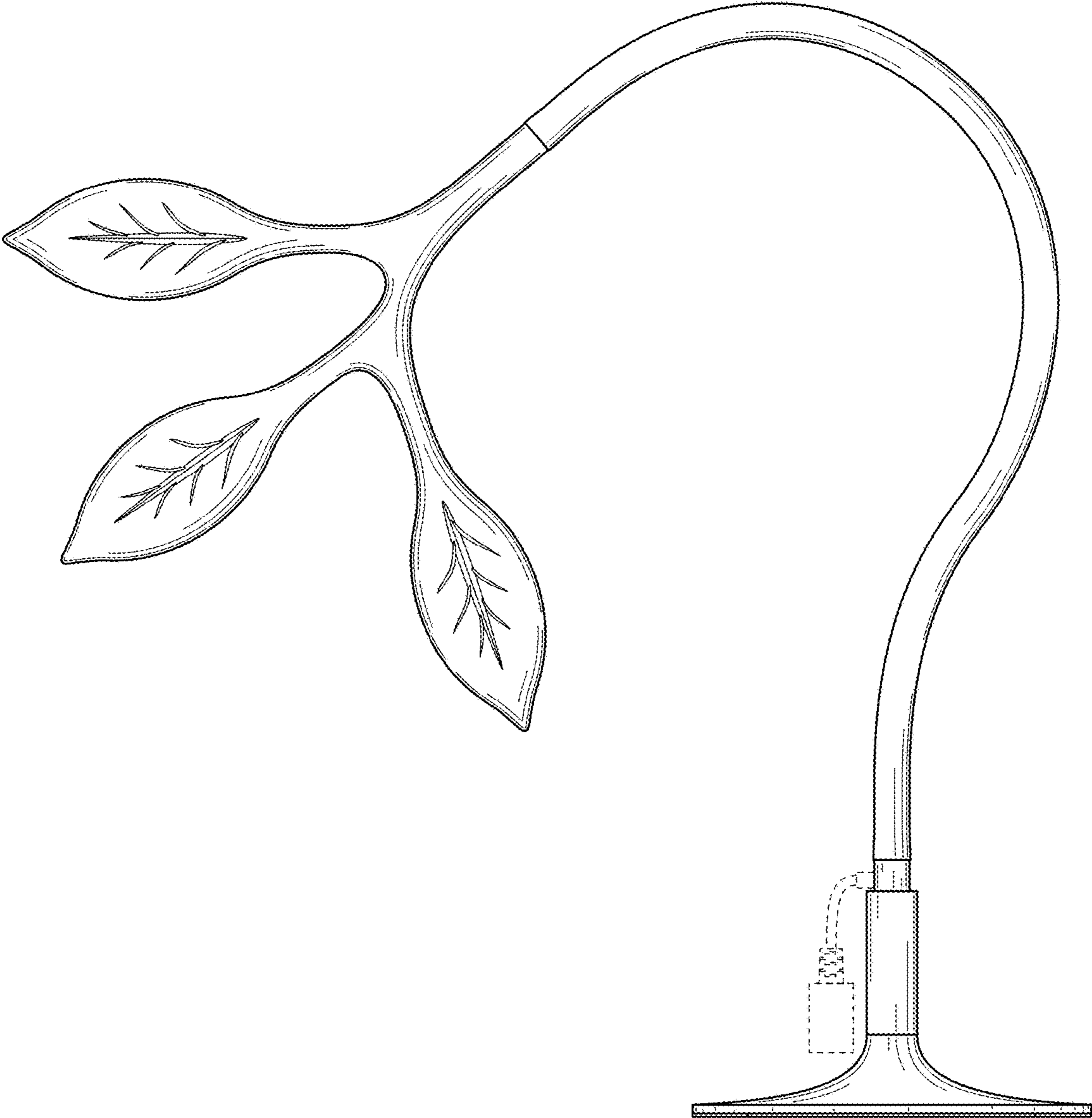


FIG. 3



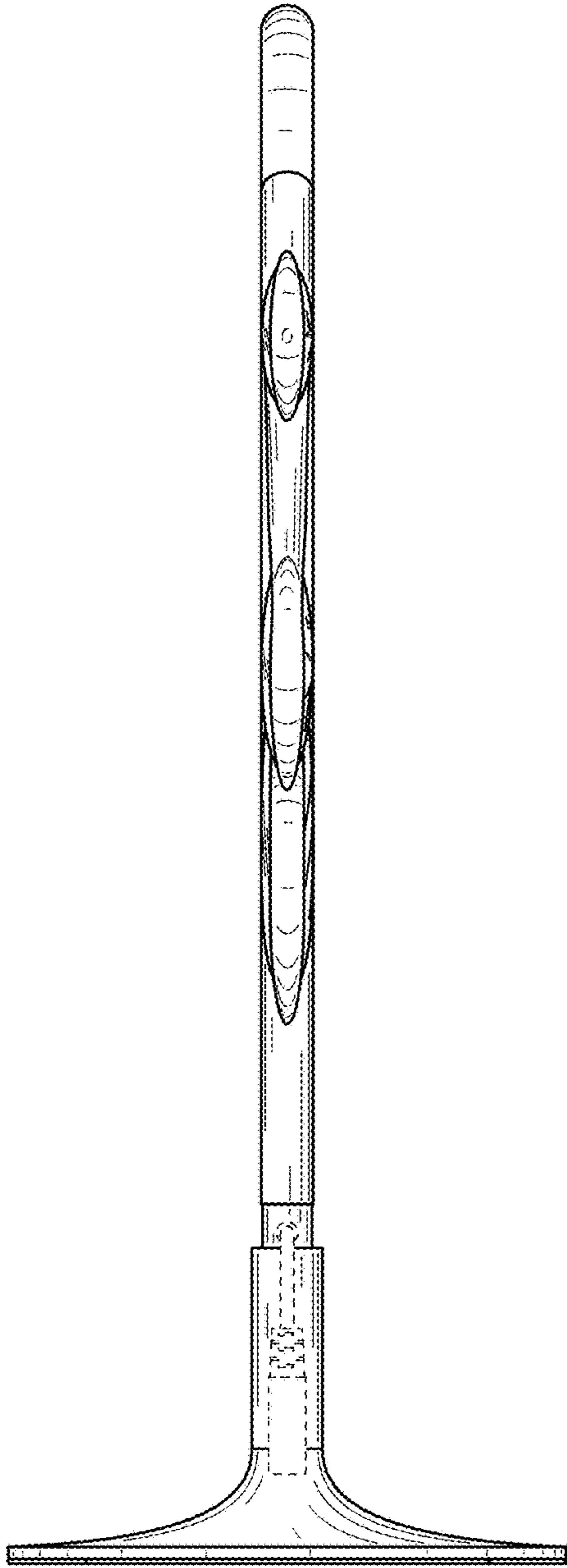


FIG. 4

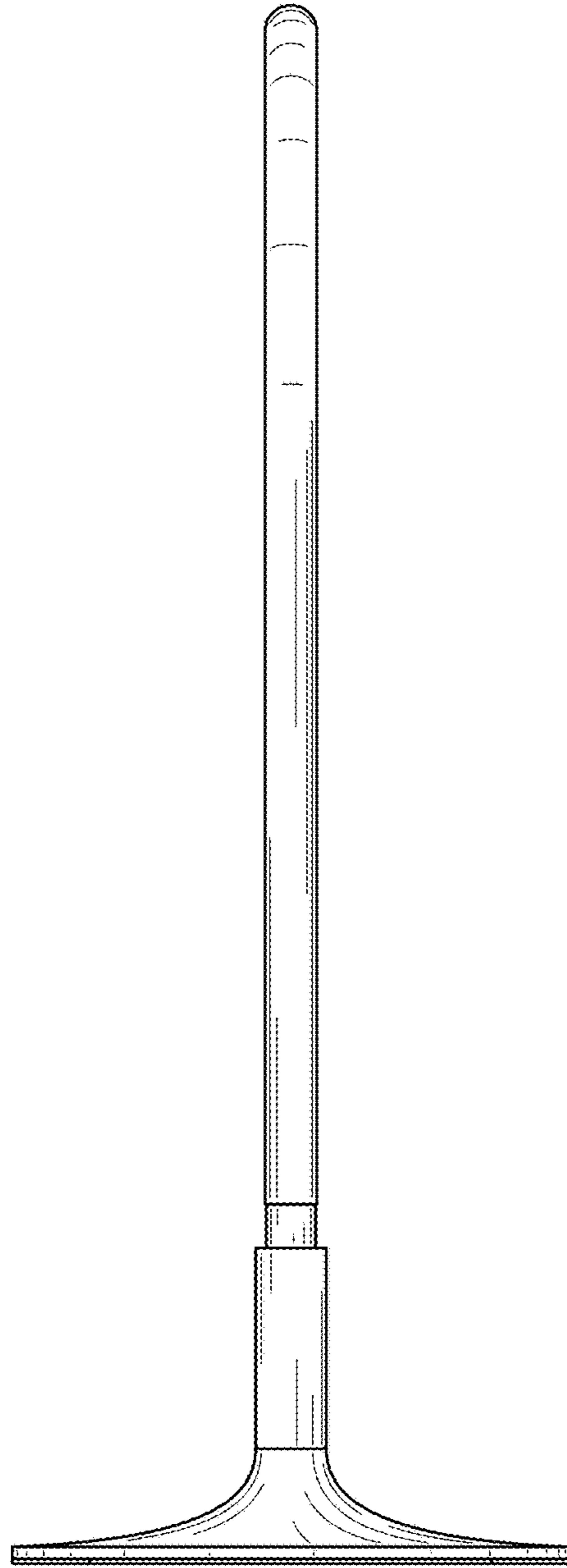


FIG. 5

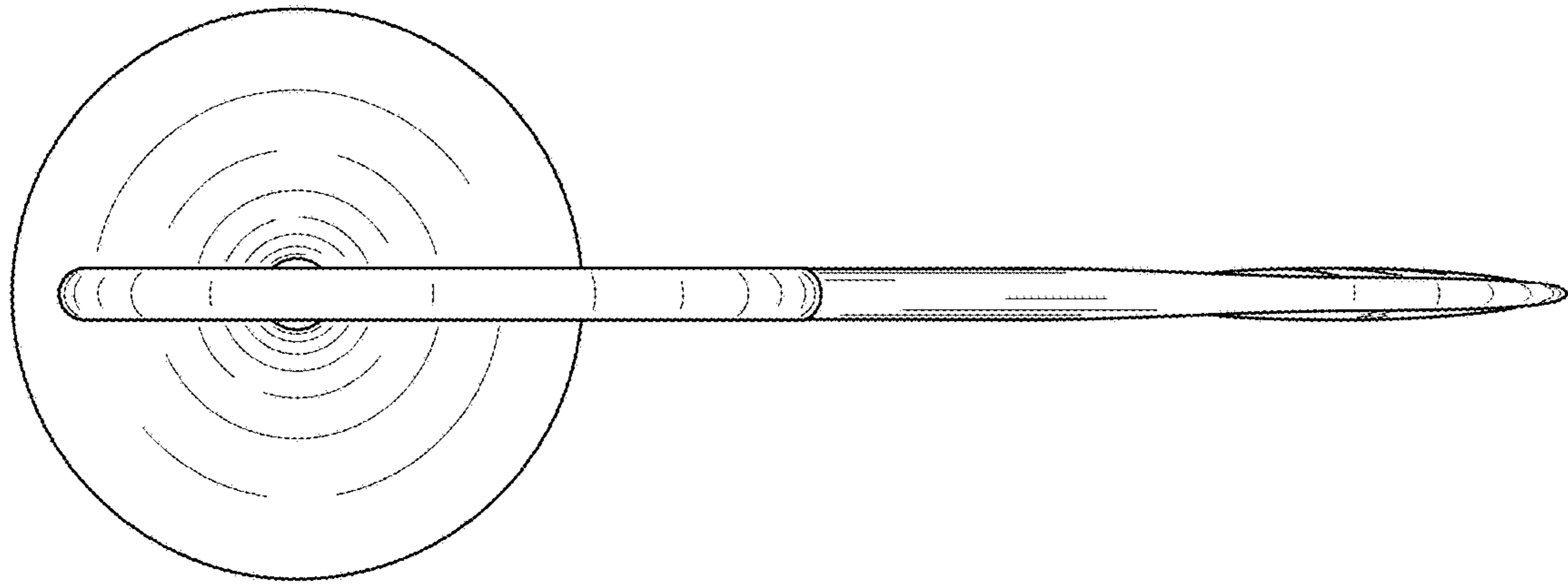


FIG. 6

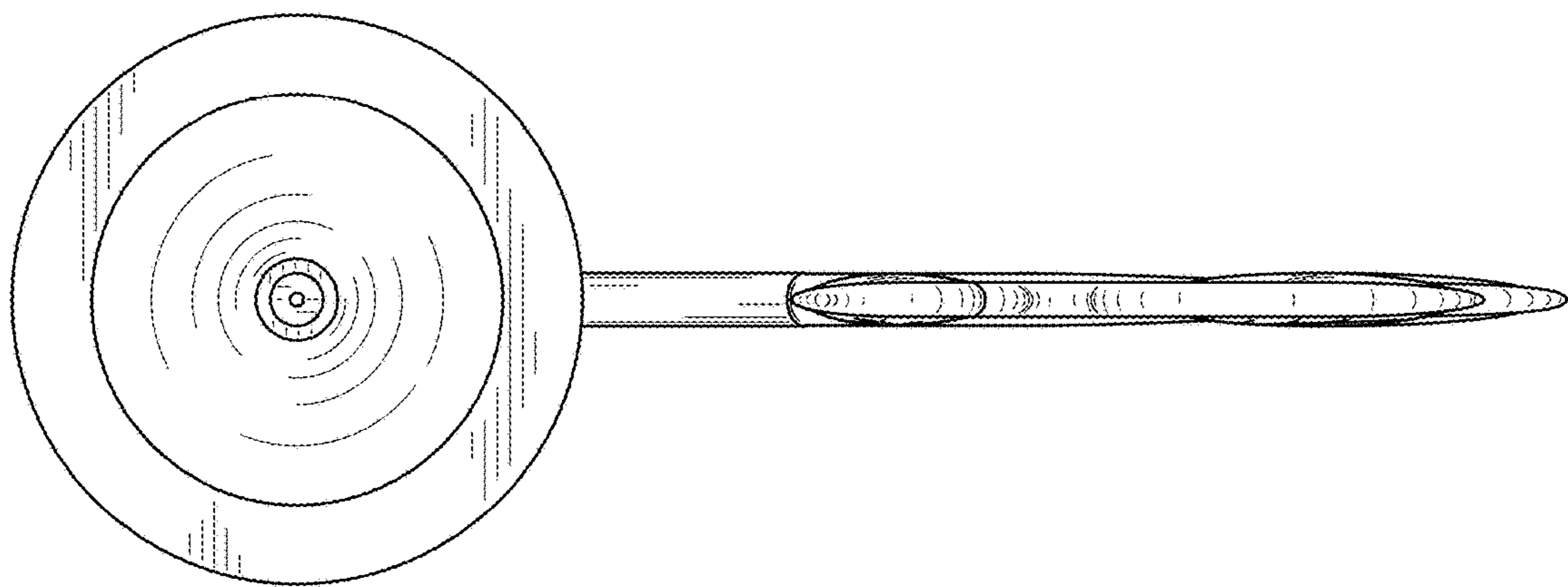


FIG. 7

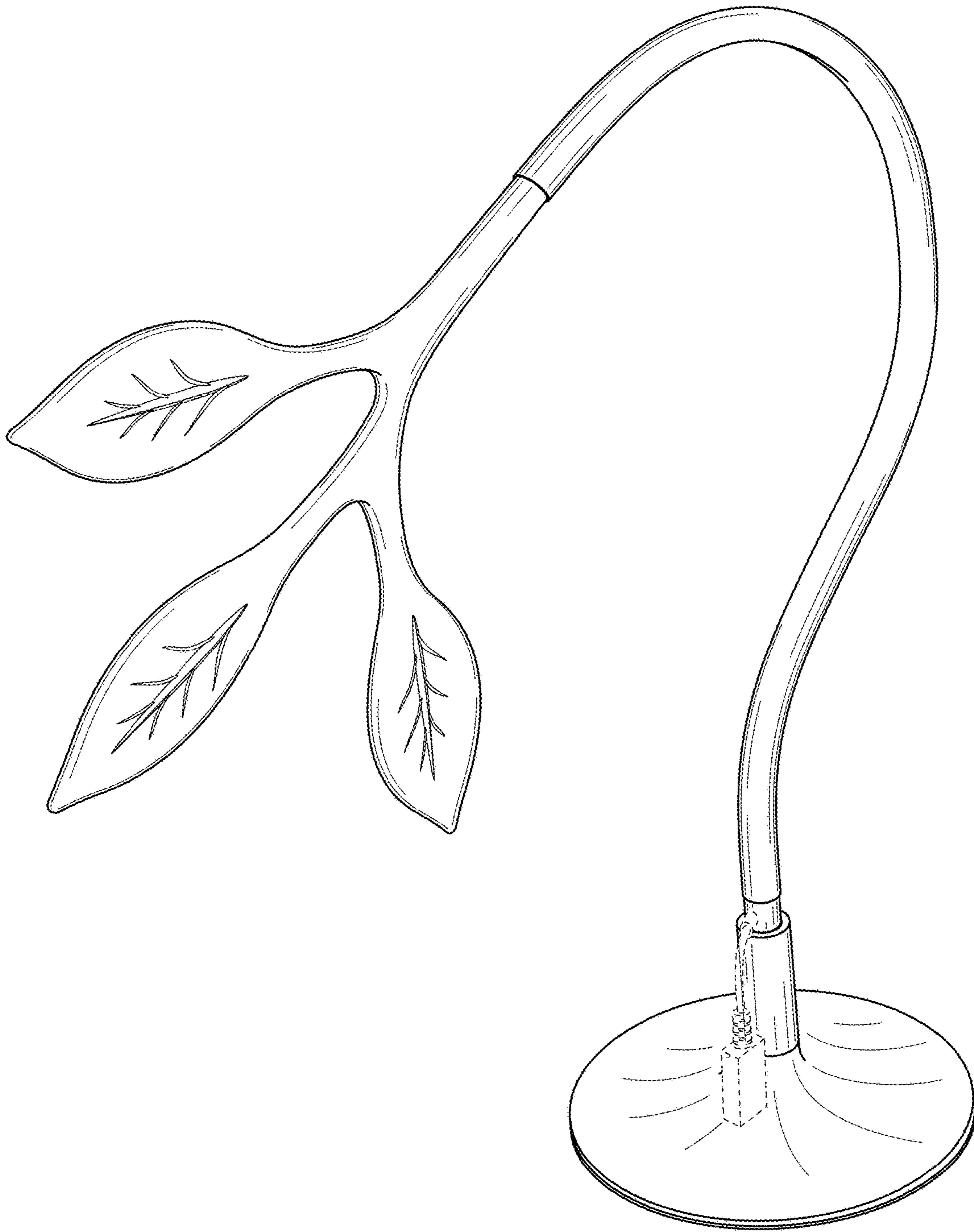


FIG. 8