



US00D795488S

(12) **United States Design Patent**  
**Holscher et al.**

(10) **Patent No.:** **US D795,488 S**

(45) **Date of Patent:** **\*\* Aug. 22, 2017**

- (54) **HIGH-BAY LUMINAIRE**
- (71) Applicant: **Hubbell Incorporated**, Shelton, CT (US)
- (72) Inventors: **Thomas Christopher Holscher**, Simpsonville, SC (US); **Joseph Daniel Engle**, Taylors, SC (US)
- (73) Assignee: **Hubbell Incorporated**, Shelton, CT (US)
- (\*\*) Term: **15 Years**
- (21) Appl. No.: **29/558,116**
- (22) Filed: **Mar. 15, 2016**
- (51) **LOC (10) Cl.** ..... **26-03**
- (52) **U.S. Cl.**  
USPC ..... **D26/89**
- (58) **Field of Classification Search**  
USPC ..... D26/24, 63, 67-70, 72, 80, 84, 88, 89, D26/118, 122, 152  
CPC .... F21S 8/04; F21S 8/026; F21S 8/033; F21S 8/036; F21S 8/03; F21S 8/043; F21S 8/046; F21S 8/06; F21S 8/061; F21S 8/063; F21S 8/068; F21S 8/088; F21S 13/02; F21S 9/037; F21V 21/04; F21V 17/02; F21V 17/04; F21V 17/164  
See application file for complete search history.

(56) **References Cited**

**U.S. PATENT DOCUMENTS**

- D106,281 S \* 10/1937 Browne ..... D26/74
- 4,241,393 A \* 12/1980 Olson ..... F21V 7/16  
362/348
- 4,698,735 A \* 10/1987 Hirono ..... F21S 8/033  
362/230
- D328,148 S \* 7/1992 Waldmann ..... D26/63

- 5,142,467 A \* 8/1992 Yuen ..... F21V 21/06  
362/399
- D343,917 S \* 2/1994 Yuen ..... D26/37
- D468,472 S \* 1/2003 Mullally ..... D26/67
- D596,765 S \* 7/2009 Chiu ..... D26/2
- D602,191 S \* 10/2009 Chang ..... D26/84
- 7,611,264 B1 \* 11/2009 Chang ..... F21K 9/00  
362/249.02
- D631,582 S \* 1/2011 Hwang ..... D26/24
- D642,300 S \* 7/2011 Leung ..... D26/24
- D642,316 S \* 7/2011 Zheng ..... D26/2
- D651,735 S \* 1/2012 Dai ..... D26/72
- D657,088 S \* 4/2012 Miro ..... D26/85
- D701,333 S \* 3/2014 Wen ..... D26/24
- D739,587 S \* 9/2015 Largent ..... D26/63
- 2009/0257234 A1 \* 10/2009 Zheng ..... F21S 6/005  
362/373
- 2010/0328956 A1 \* 12/2010 Zhang ..... F21S 8/08  
362/294

**OTHER PUBLICATIONS**

Hubbel Food Processing LED Highbay-FPH Series luminaire. Presented in *Business Wire* article dated Aug. 25, 2015. Found at [businesswire.com](http://businesswire.com) visited Sep. 6, 2016. (2 pages).\*

\* cited by examiner

*Primary Examiner* — Clare E Hefflin

(74) *Attorney, Agent, or Firm* — Michael Best & Friedrich, LLP

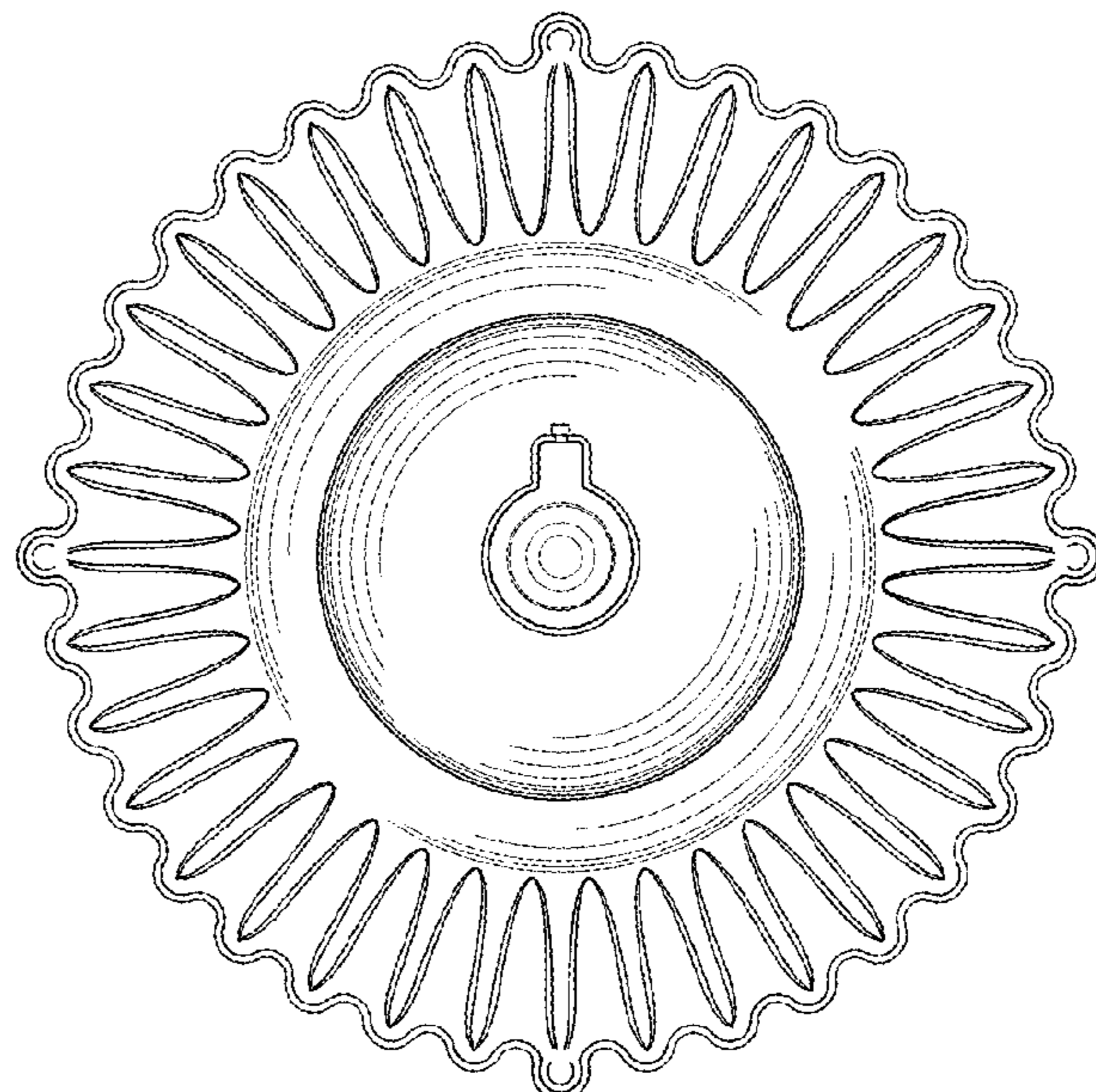
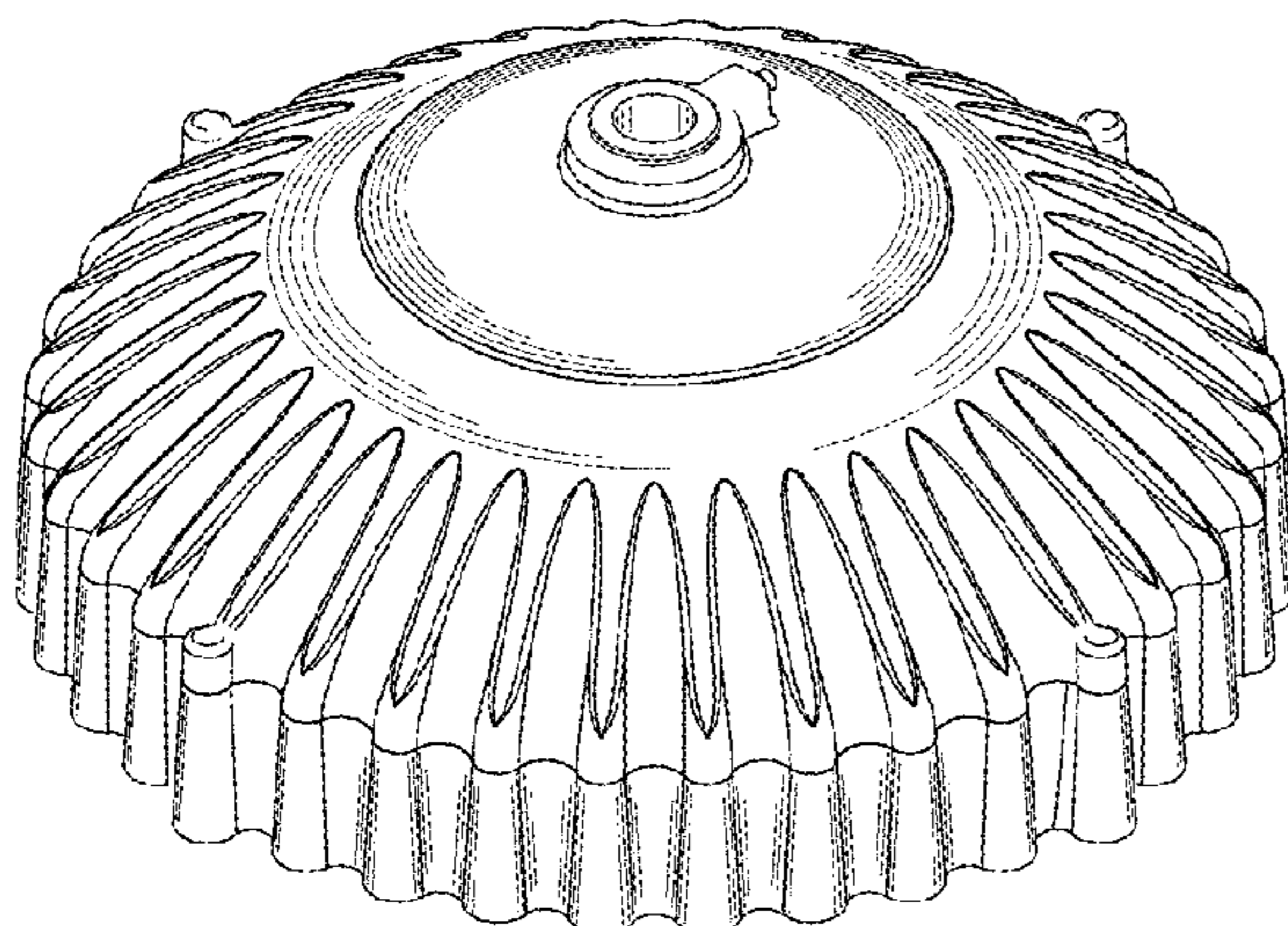
(57) **CLAIM**

The ornamental design for a high-bay luminaire, as shown.

**DESCRIPTION**

FIG. 1 is a perspective view of an embodiment of the design; FIG. 2 is a side view of FIG. 1; FIG. 3 is a top view of FIG. 1; and, FIG. 4 is a bottom view of FIG. 1.

**1 Claim, 2 Drawing Sheets**



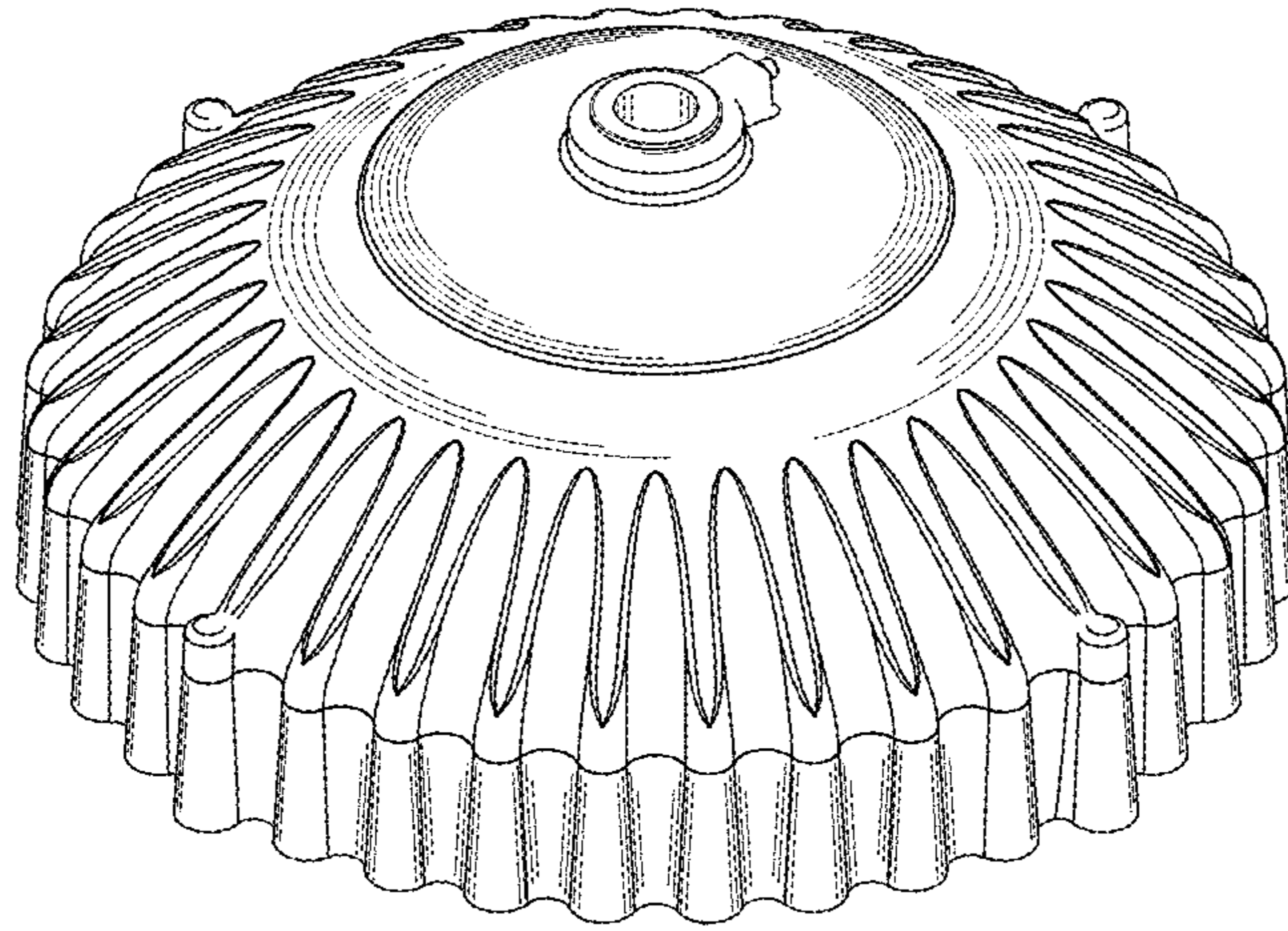


FIG. 1

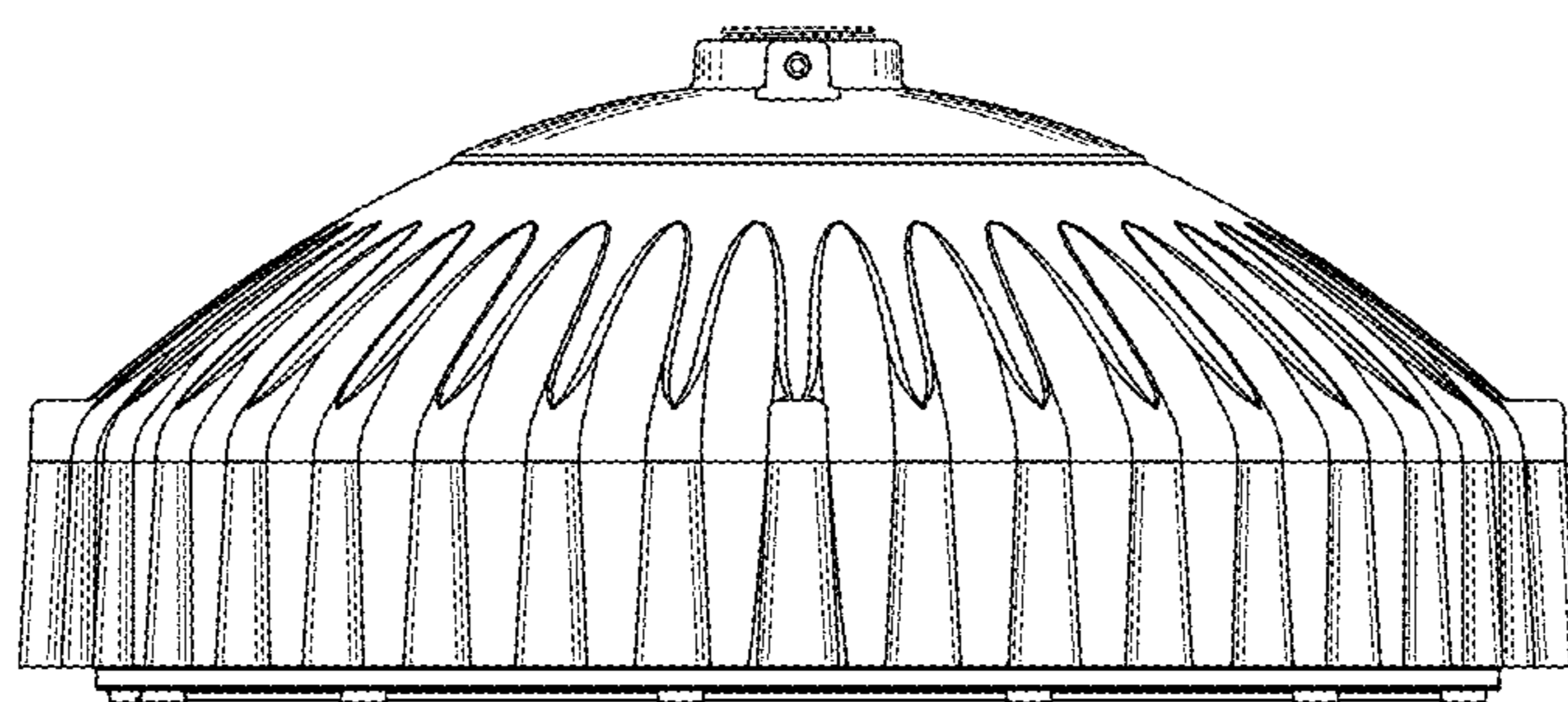


FIG. 2

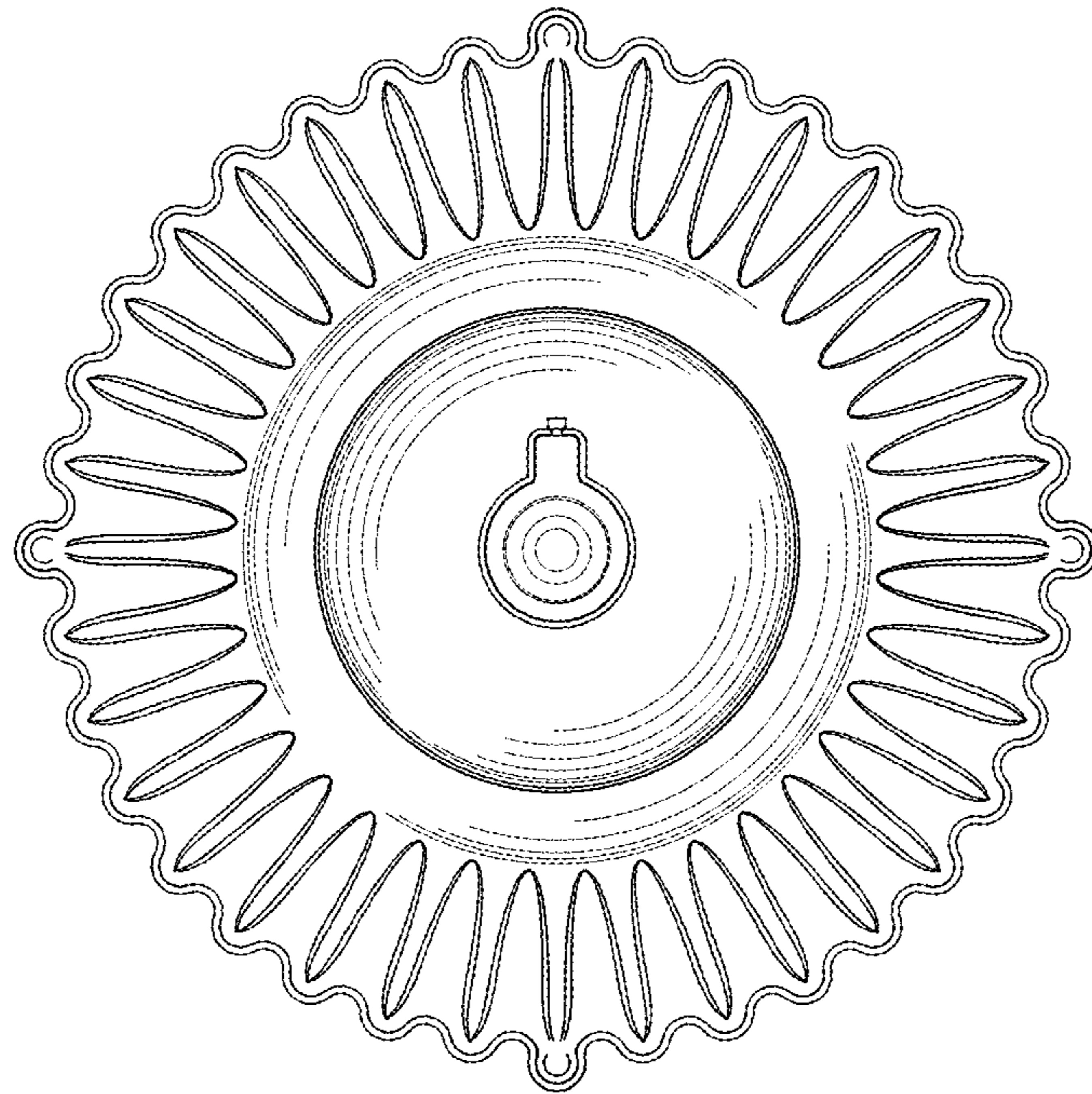


FIG. 3

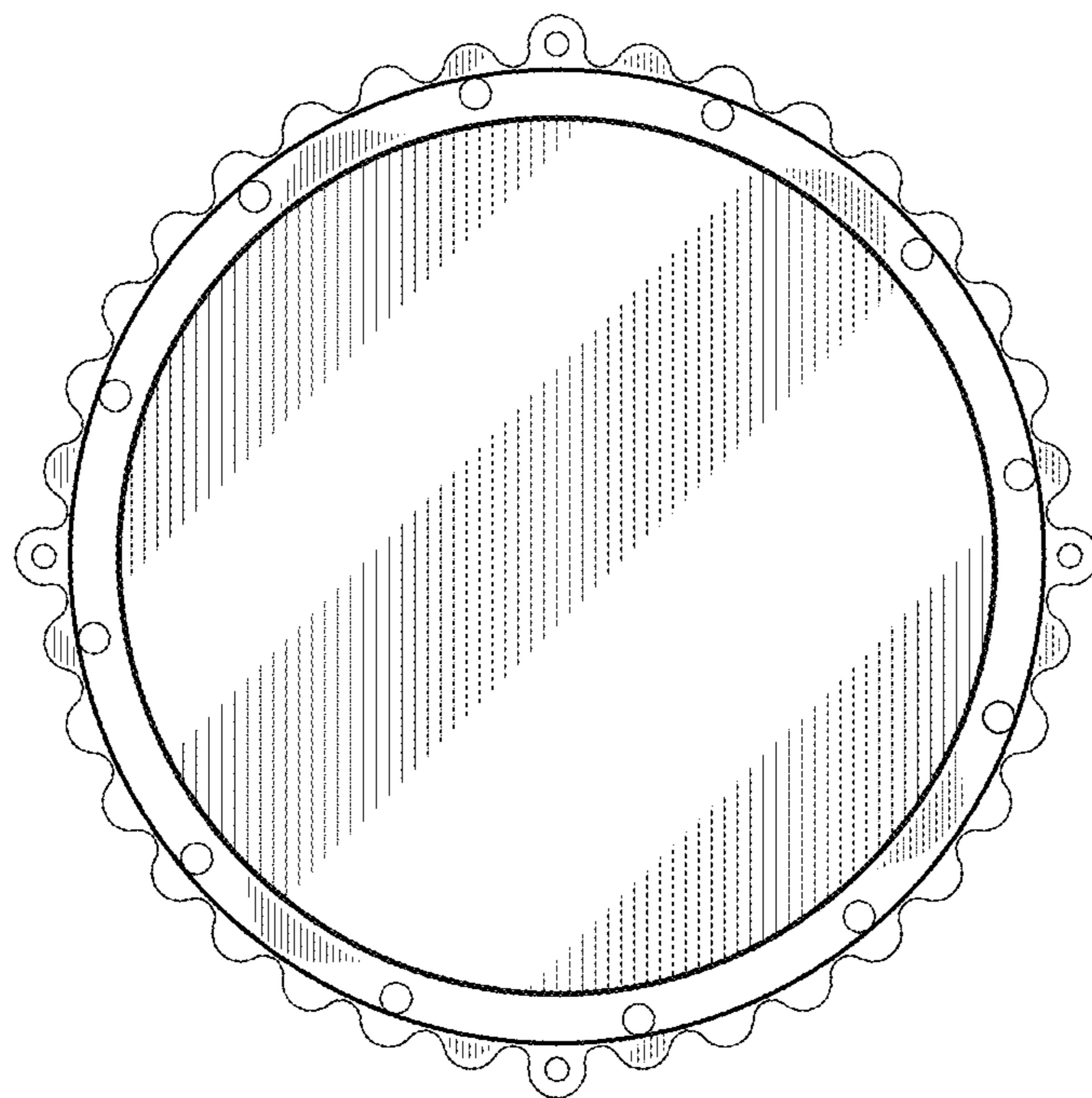


FIG. 4