



US00D795483S

(12) **United States Design Patent**
Sonneman

(10) **Patent No.:** **US D795,483 S**

(45) **Date of Patent:** **** Aug. 22, 2017**

(54) **LAMP**

(71) Applicant: **Robert A. Sonneman**, Mamaroneck,
NY (US)

(72) Inventor: **Robert A. Sonneman**, Mamaroneck,
NY (US)

(**) Term: **15 Years**

(21) Appl. No.: **29/590,638**

(22) Filed: **Jan. 12, 2017**

(51) **LOC (10) Cl.** **26-05**

(52) **U.S. Cl.**
USPC **D26/71**

(58) **Field of Classification Search**
USPC D26/67-71, 87, 92, 118
CPC F21S 8/032; F21S 8/08; F21S 8/081; F21S
8/083; F21S 8/085; F21S 8/088; F21S
6/004; F21S 9/03; F21S 9/032; F21S
9/035; F21S 9/037; F21S 13/10; F21W
2131/10; F21W 2131/107; F21W
2131/109; F21W 2111/023; F21V
21/0824; F21V 7/041
See application file for complete search history.

(56) **References Cited**

U.S. PATENT DOCUMENTS

D54,630 S *	3/1920	Jimmerson	D26/87
D205,720 S *	9/1966	Villa	D26/71
D222,810 S *	1/1972	Husby et al.	D26/71
3,651,320 A *	3/1972	Lasker	F21S 8/088 362/303
D233,166 S *	10/1974	Gore et al.	D26/87
D236,909 S *	9/1975	Richilano	D26/68
4,317,164 A *	2/1982	Karaktin	F21S 8/08 362/147
D294,066 S *	2/1988	Ewing	D26/71
D301,175 S *	5/1989	Benjamin	D26/67

D381,106 S *	7/1997	Brohard	D26/67
D383,866 S *	9/1997	Brohard	D26/67
D385,643 S *	10/1997	Brohard	D26/71

(Continued)

OTHER PUBLICATIONS

REALS LED Bollard, Item #7303 DC.DL.74-WL from son-
nemanawayofflight.com. © 2017. Site visited Jun. 16, 2017.*

(Continued)

Primary Examiner — Clare E Hefflin

(74) *Attorney, Agent, or Firm* — Gottlieb, Rackman &
Reisman, P.C.

(57) **CLAIM**

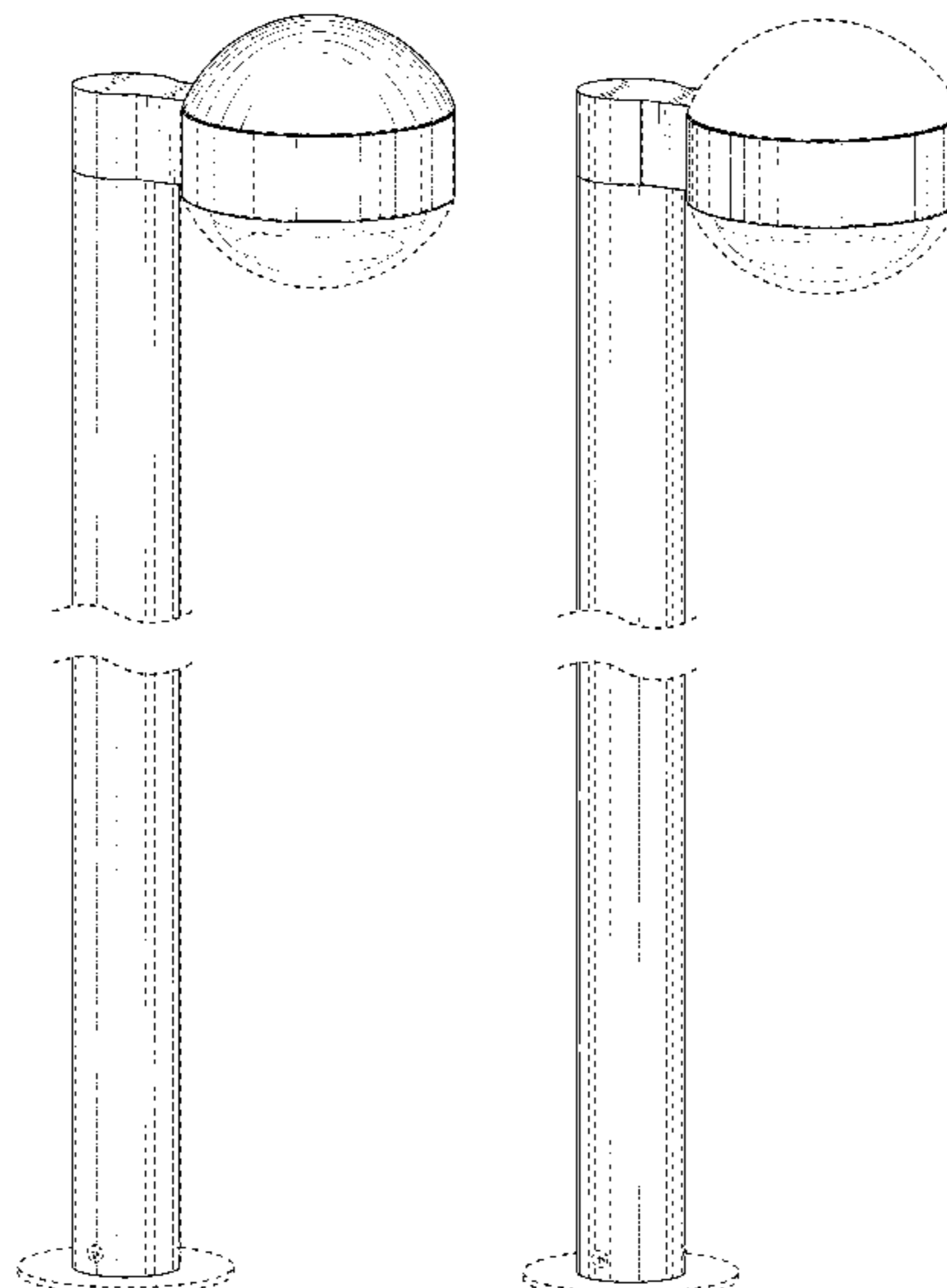
The ornamental design for a lamp, as shown and described.

DESCRIPTION

FIG. 1 is a perspective view of the lamp showing my new design;
FIG. 2 is a left side elevational view thereof;
FIG. 3 is a right side elevational view thereof;
FIG. 4 is a front elevational view thereof;
FIG. 5 is a rear elevational view thereof;
FIG. 6 is a top plan view thereof;
FIG. 7 is a bottom plan view thereof;
FIG. 8 is a perspective view of a second embodiment of the lamp;
FIG. 9 is a left side elevational view thereof;
FIG. 10 is a right side elevational view thereof;
FIG. 11 is a front elevational view thereof;
FIG. 12 is a rear elevational view thereof;
FIG. 13 is a top plan view thereof; and,
FIG. 14 is a bottom plan view thereof.

The broken lines shown on the drawings are included for the purpose of illustrating portions of the article that form no part of the claimed design. Additionally, a portion of the light fixture is shown with a symbolic break in its length. The appearance of any portion of the article between the break lines forms no part of the claimed design.

1 Claim, 10 Drawing Sheets



(56)

References Cited

U.S. PATENT DOCUMENTS

7,393,124 B1 * 7/2008 Williams F21V 21/36
362/403
D580,085 S * 11/2008 Svensson D26/71
D631,180 S * 1/2011 Leroux D26/71
D678,580 S * 3/2013 Rizzi D26/71
D694,454 S * 11/2013 Fang D26/71
D697,659 S * 1/2014 Sabernig D26/87
2013/0083516 A1 * 4/2013 Yoon F21V 29/54
362/190

OTHER PUBLICATIONS

REALS LED Bollard, Item #7303 PC.DL.74-WL from son-nemanawayofflight.com. © 2017. Site visited Jun. 16, 2017.*
REALS LED Bollard, Item #7303 PC.PL.74-WL from son-nemanawayofflight.com. © 2017. Site visited Jun. 16, 2017.*

* cited by examiner

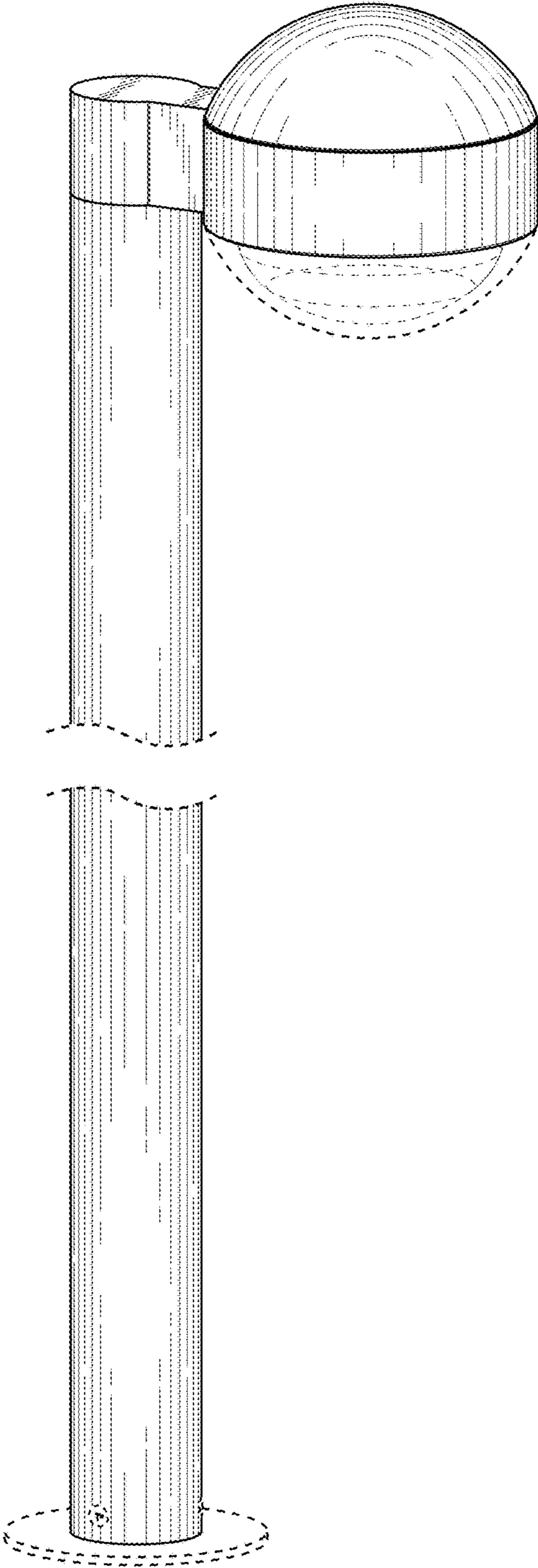


FIG. 1

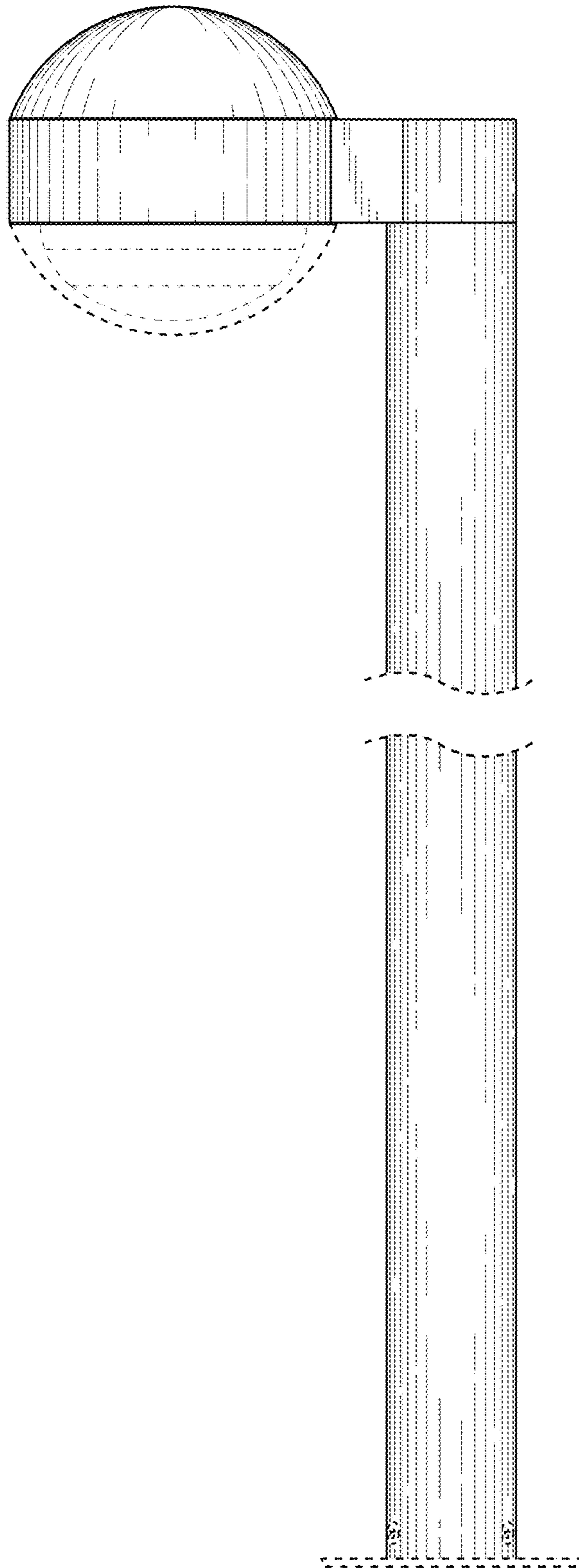


FIG. 2

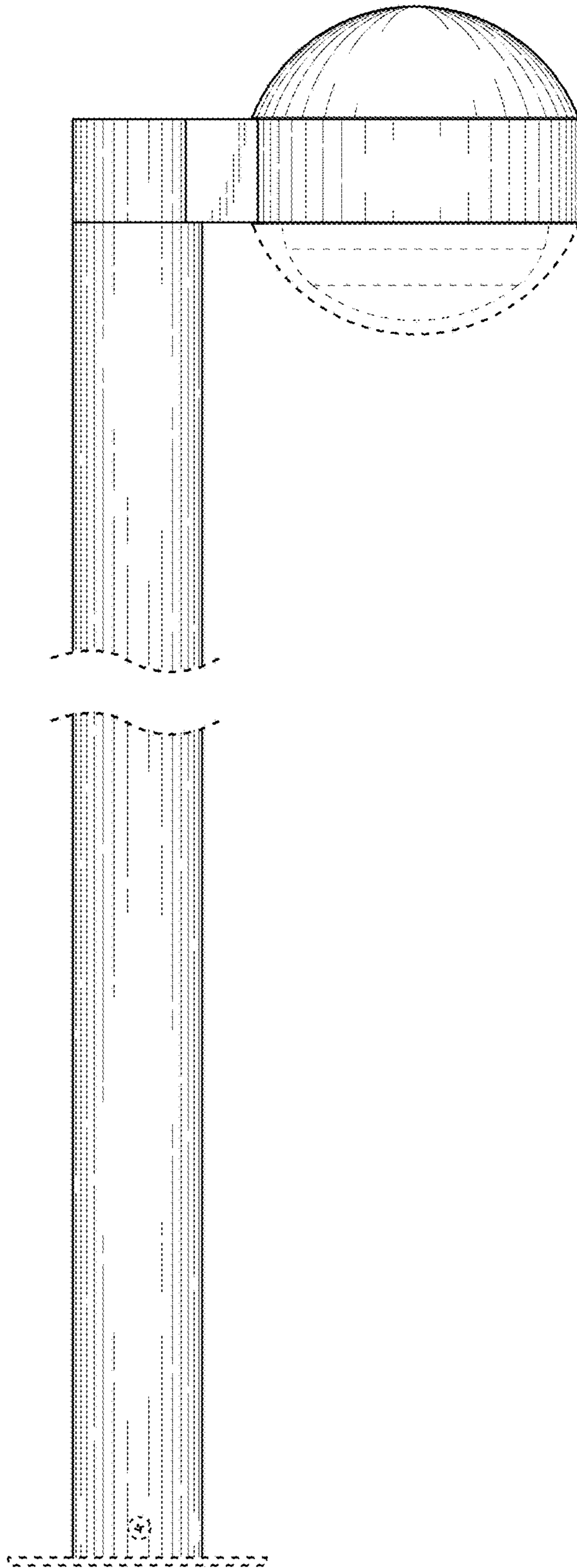


FIG. 3

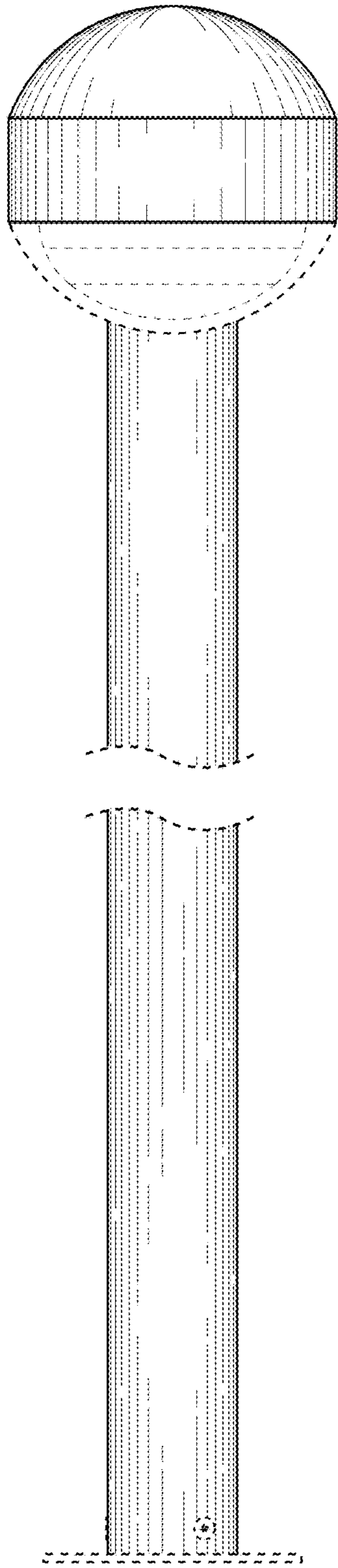


FIG. 4

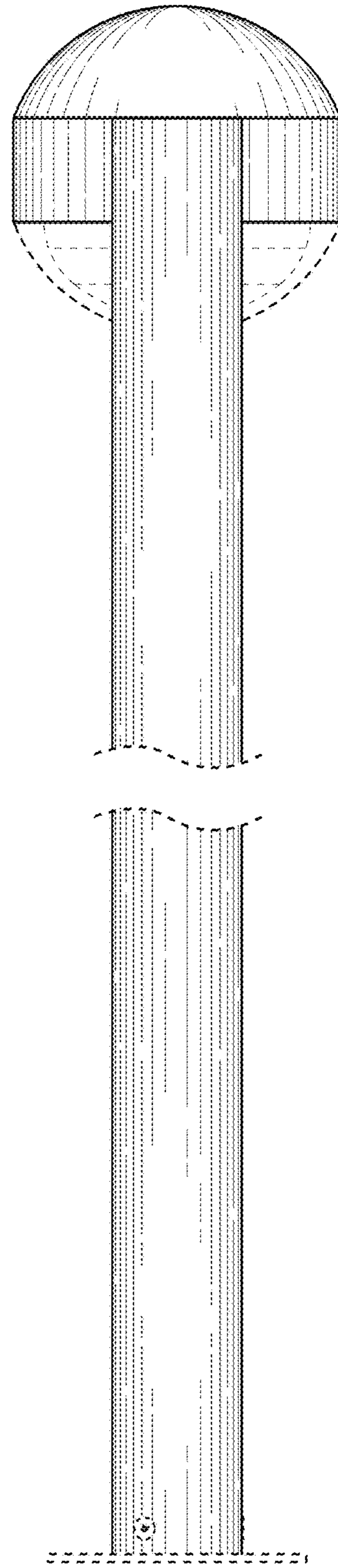


FIG. 5

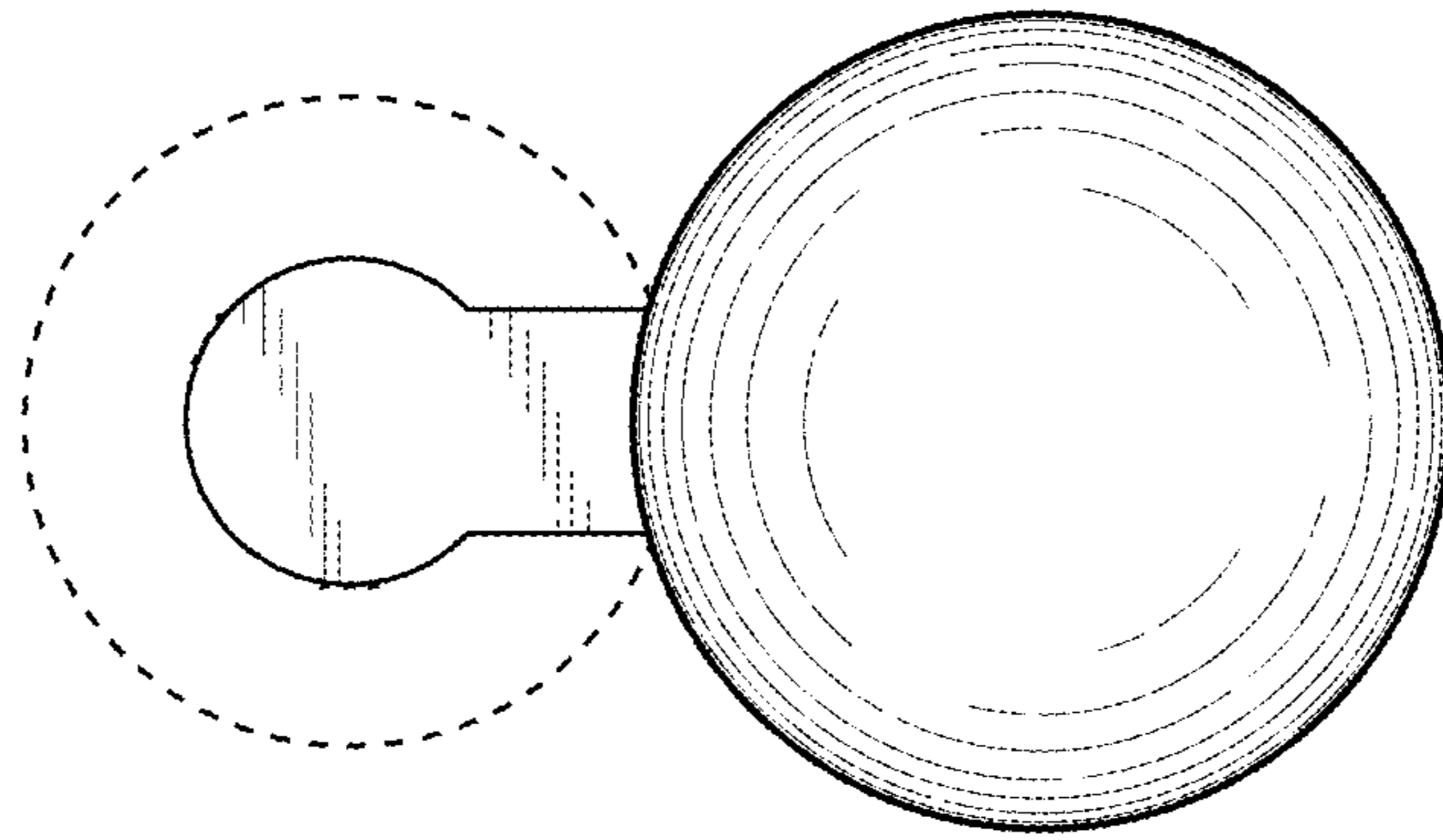


FIG. 6

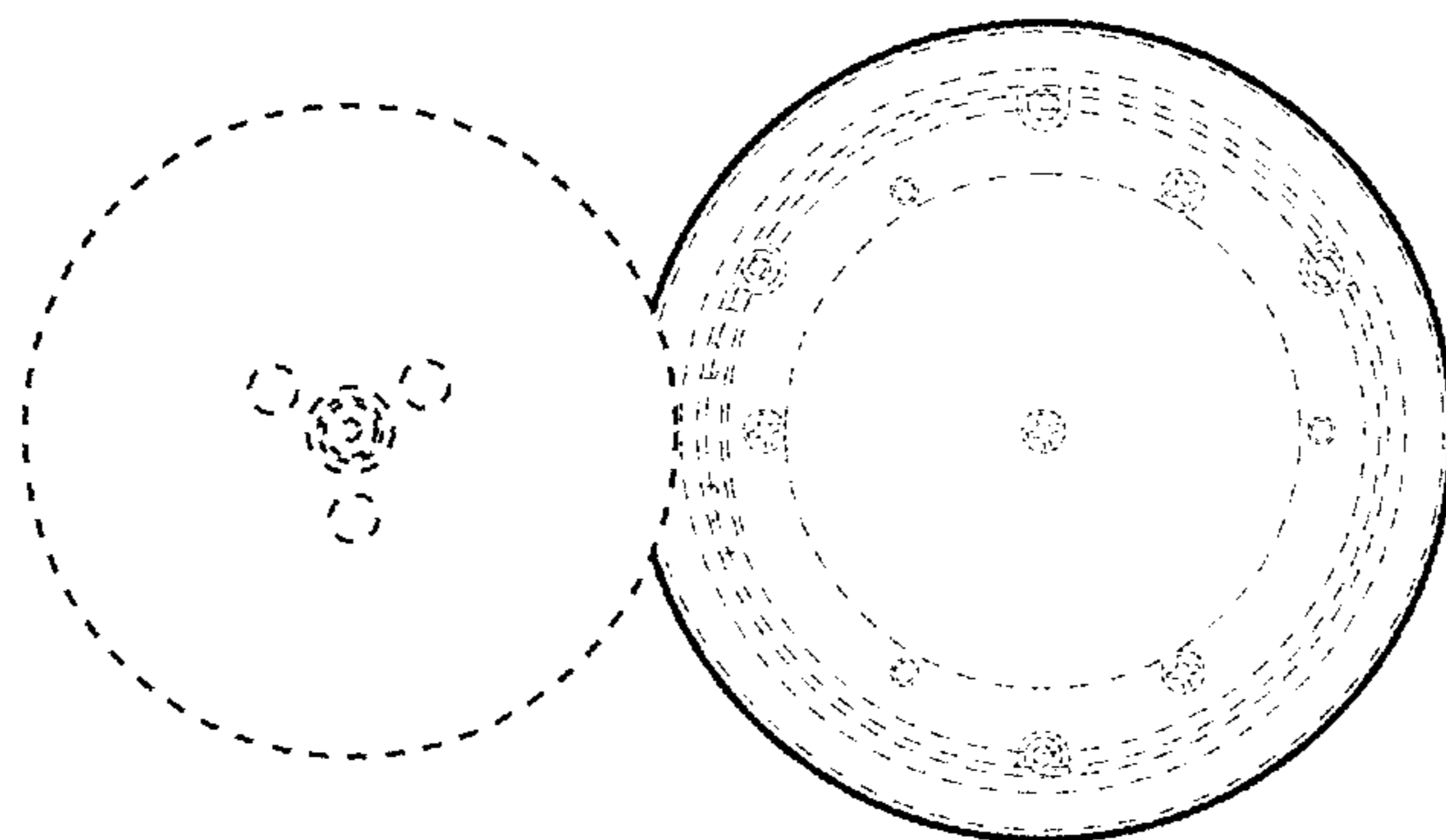


FIG. 7

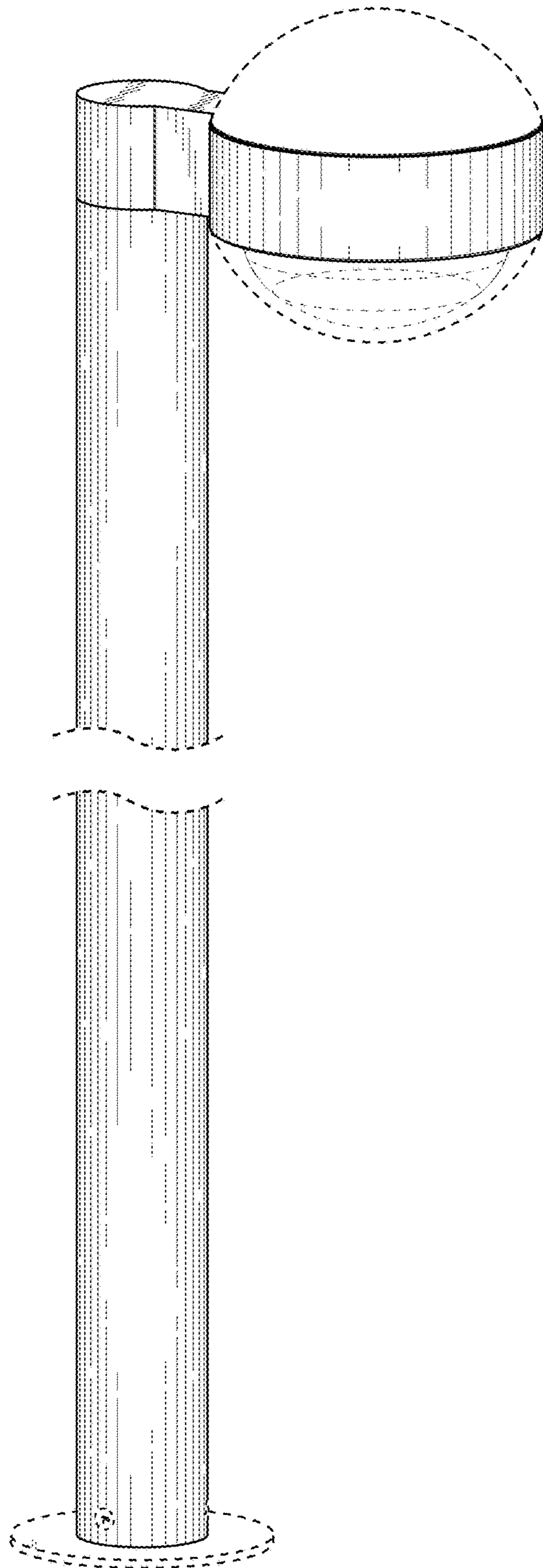


FIG. 8

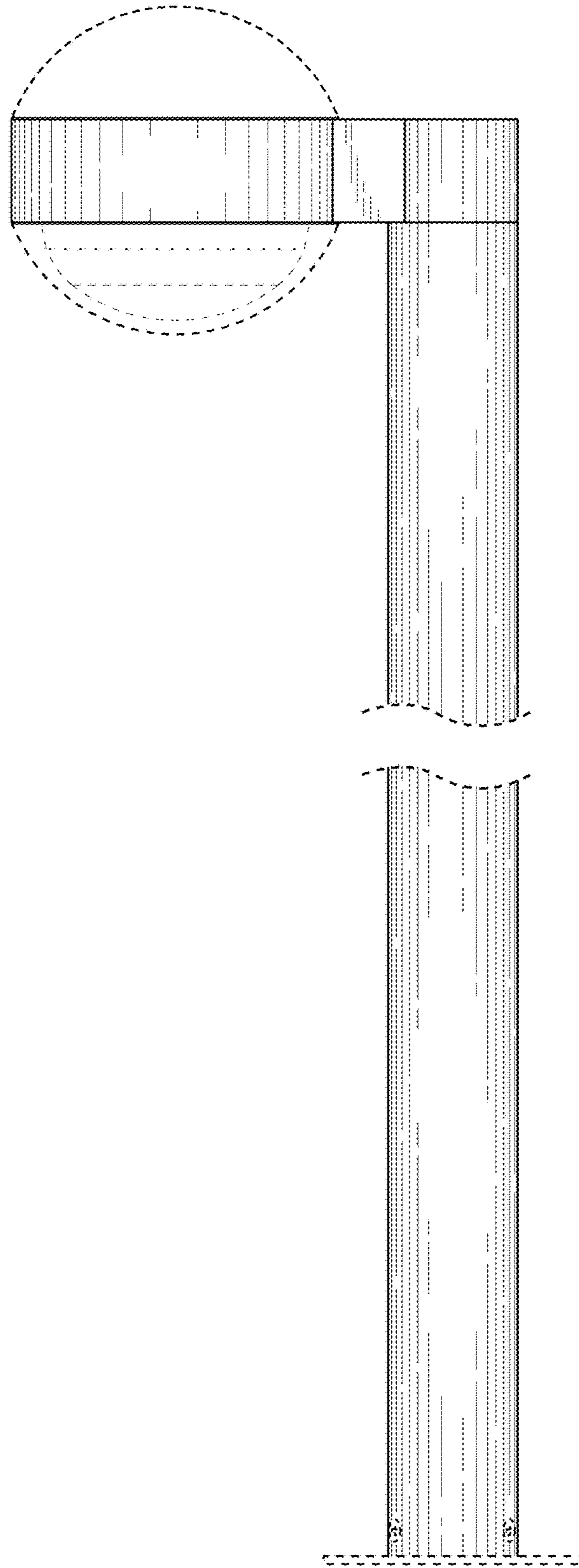


FIG. 9

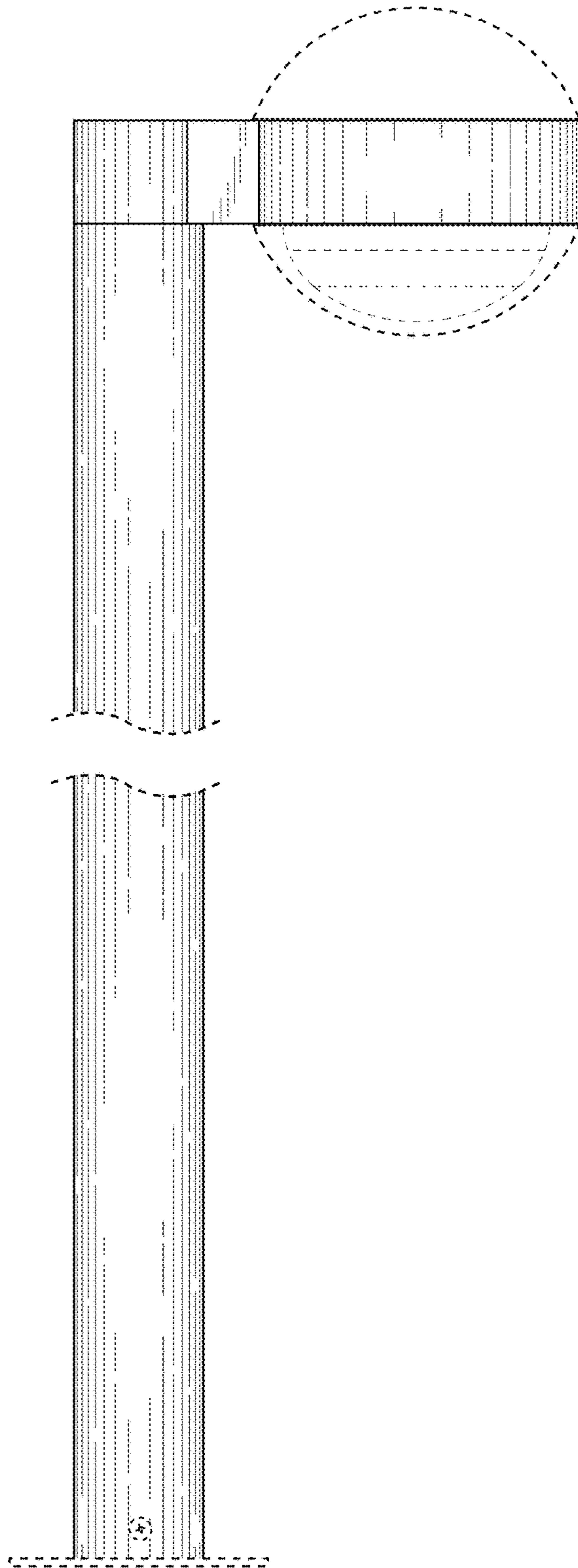


FIG. 10

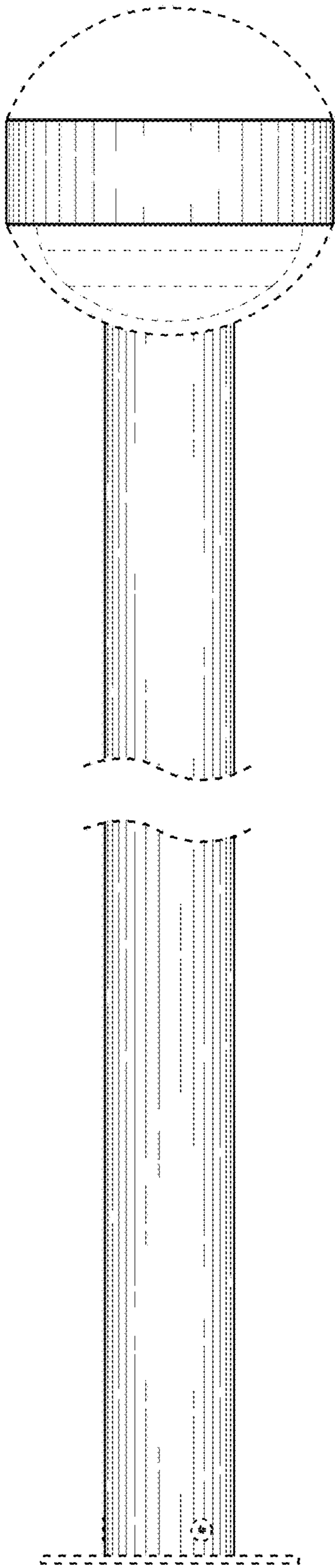


FIG. 11

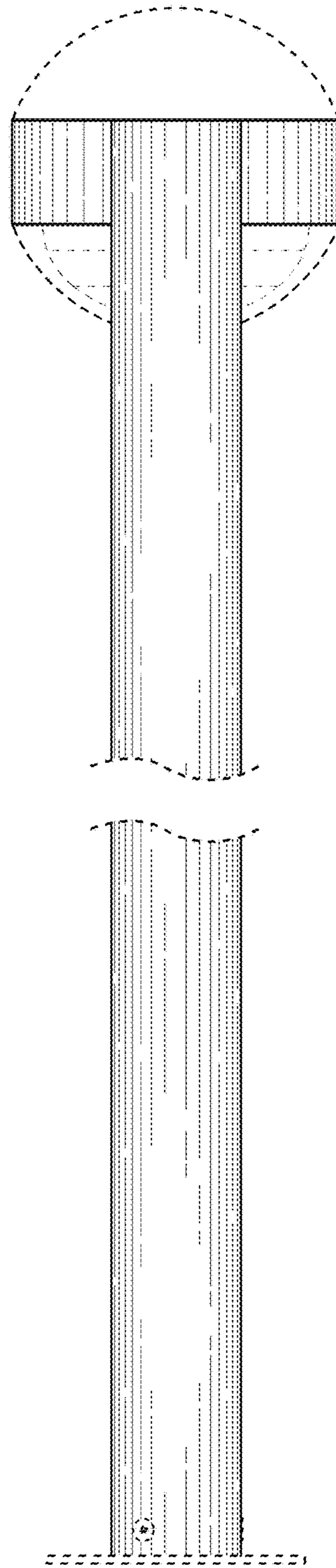


FIG. 12

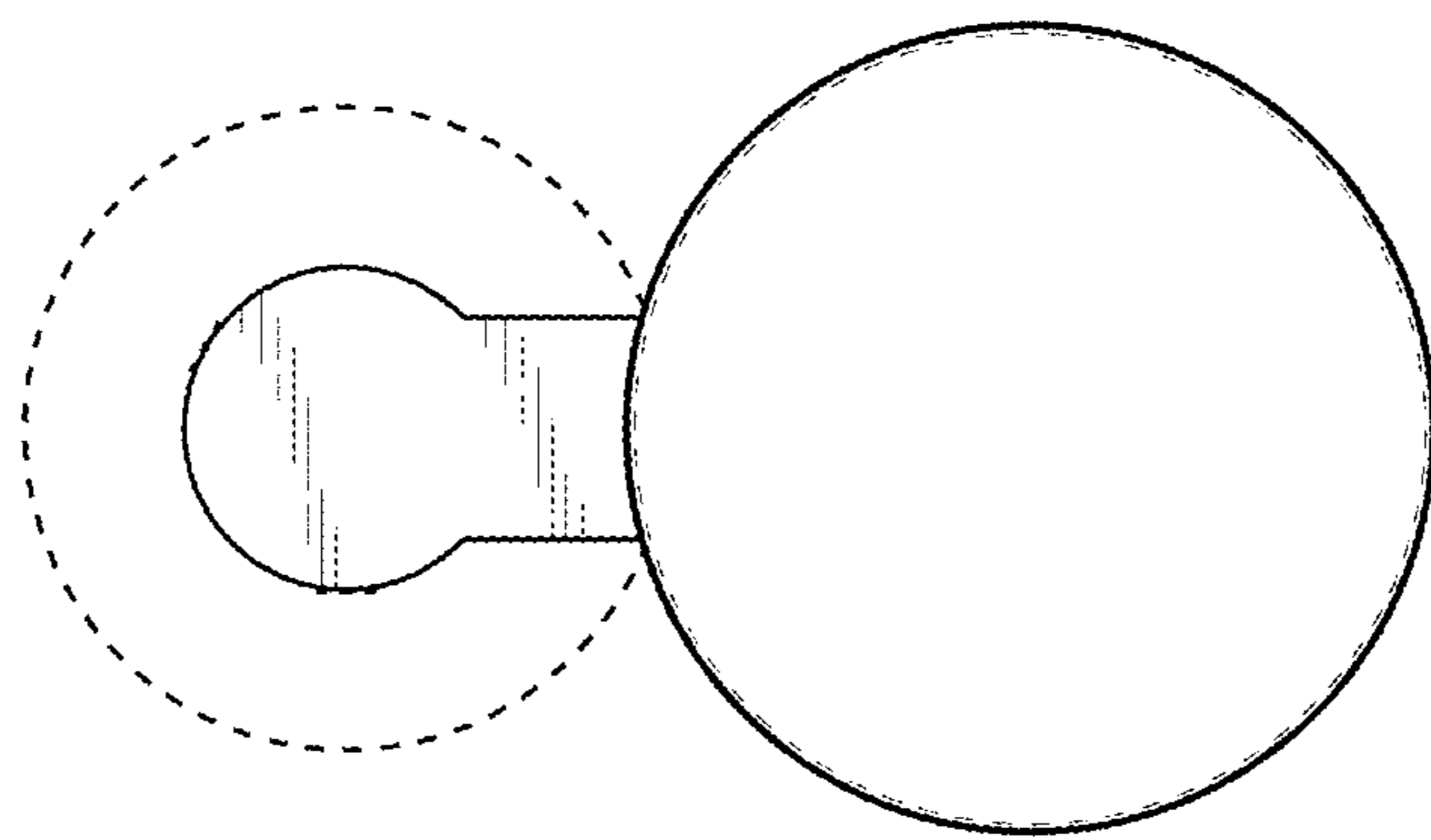


FIG. 13

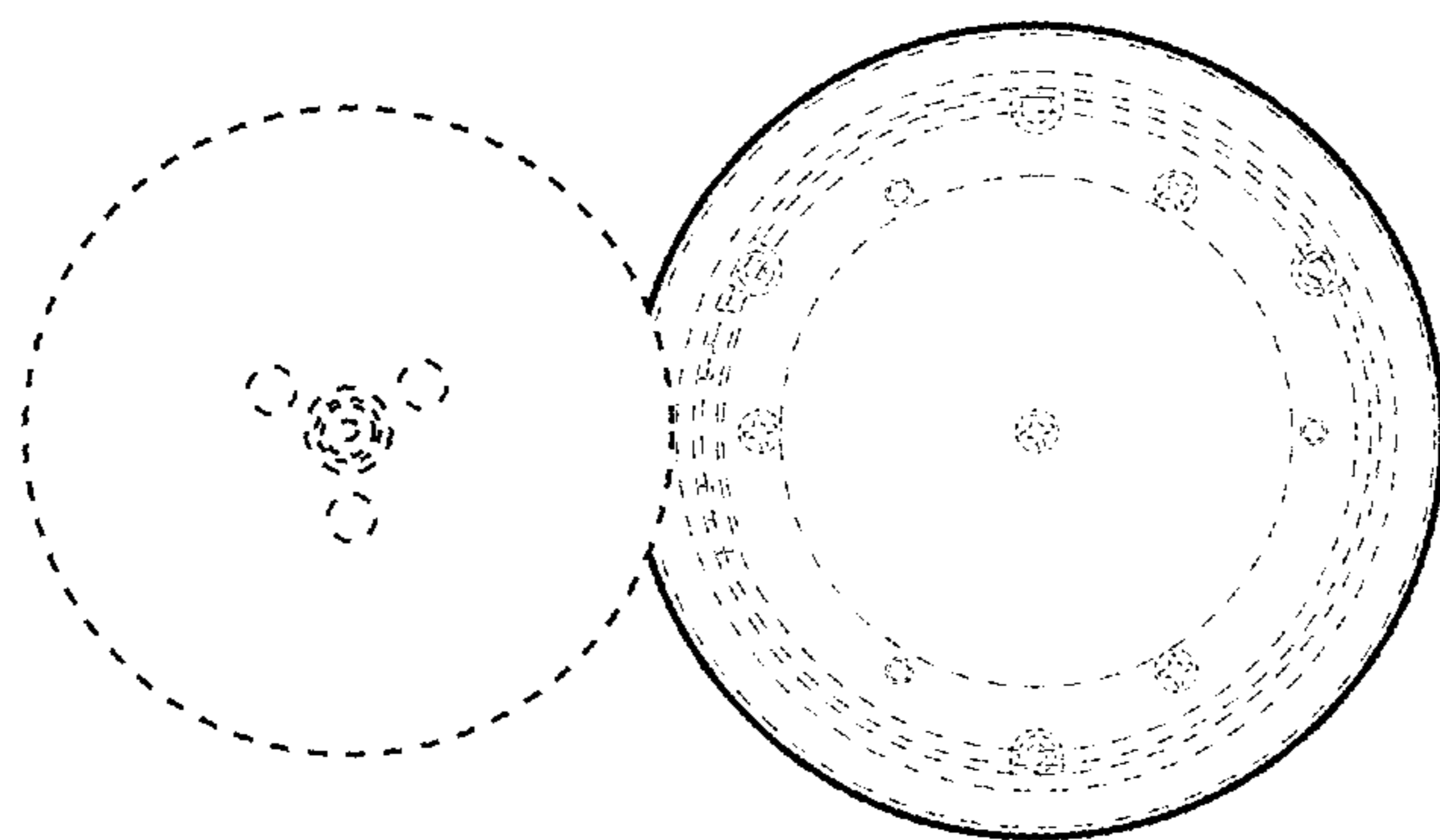


FIG. 14