



US00D795482S

(12) **United States Design Patent** (10) **Patent No.:** **US D795,482 S**  
**Galipeau et al.** (45) **Date of Patent:** **\*\* Aug. 22, 2017**

(54) **LUMINAIRE**  
(71) Applicant: **PHILIPS LIGHTING HOLDING B.V.**, Eindhoven (NL)  
(72) Inventors: **Guy Galipeau**, Boisbriand (CA); **Sergio Jurdana**, Blainville (CA); **Alexandre Plomteux**, Montreal (CA); **Jonathan Hardy**, Laval (CA); **Michel Fortin**, Sainte-Marthe sur le Lac (CA); **Jean-Francois Duquette**, Kirkland (CA); **David Cavaliere**, Prevost (CA)  
(73) Assignee: **PHILIPS LIGHTING HOLDING B.V.**, Eindhoven (NL)  
(\*\*) Term: **15 Years**  
(21) Appl. No.: **29/551,827**  
(22) Filed: **Jan. 18, 2016**  
(51) **LOC (10) Cl.** ..... **26-05**  
(52) **U.S. Cl.** ..... **D26/68**  
USPC ..... **D26/68**  
(58) **Field of Classification Search**  
USPC ..... D26/63, 67-70; D10/113.2  
CPC .... F21S 8/08; F21S 8/081; F21S 8/083; F21S 8/088; F21S 9/03; F21S 9/032; F21S 9/035; F21S 9/037; F21W 2131/109; F21W 2111/023; F21V 21/0824  
See application file for complete search history.

3,145,934 A \* 8/1964 Guggemos ..... F21S 8/088 362/382  
D572,398 S \* 7/2008 Zhang ..... D26/68  
D599,937 S \* 9/2009 Sabernig ..... D26/67  
D599,938 S \* 9/2009 Sabernig ..... D26/67  
D660,492 S \* 5/2012 Williams ..... D26/68  
9,004,706 B1 \* 4/2015 Banfield ..... F21V 33/0056 362/86  
2007/0285912 A1 \* 12/2007 Lin ..... F21S 8/088 362/4  
2008/0316747 A1 \* 12/2008 Lac ..... F21V 11/02 362/290  
2012/0182732 A1 \* 7/2012 Moeck ..... F21K 9/00 362/235  
2013/0094198 A1 \* 4/2013 Lee ..... F21L 4/00 362/217.05  
2013/0094208 A1 \* 4/2013 Gill ..... F21S 8/088 362/235  
2015/0211694 A1 \* 7/2015 Camenzuli ..... F21L 4/08 362/183

\* cited by examiner

*Primary Examiner* — Clare E Heflin

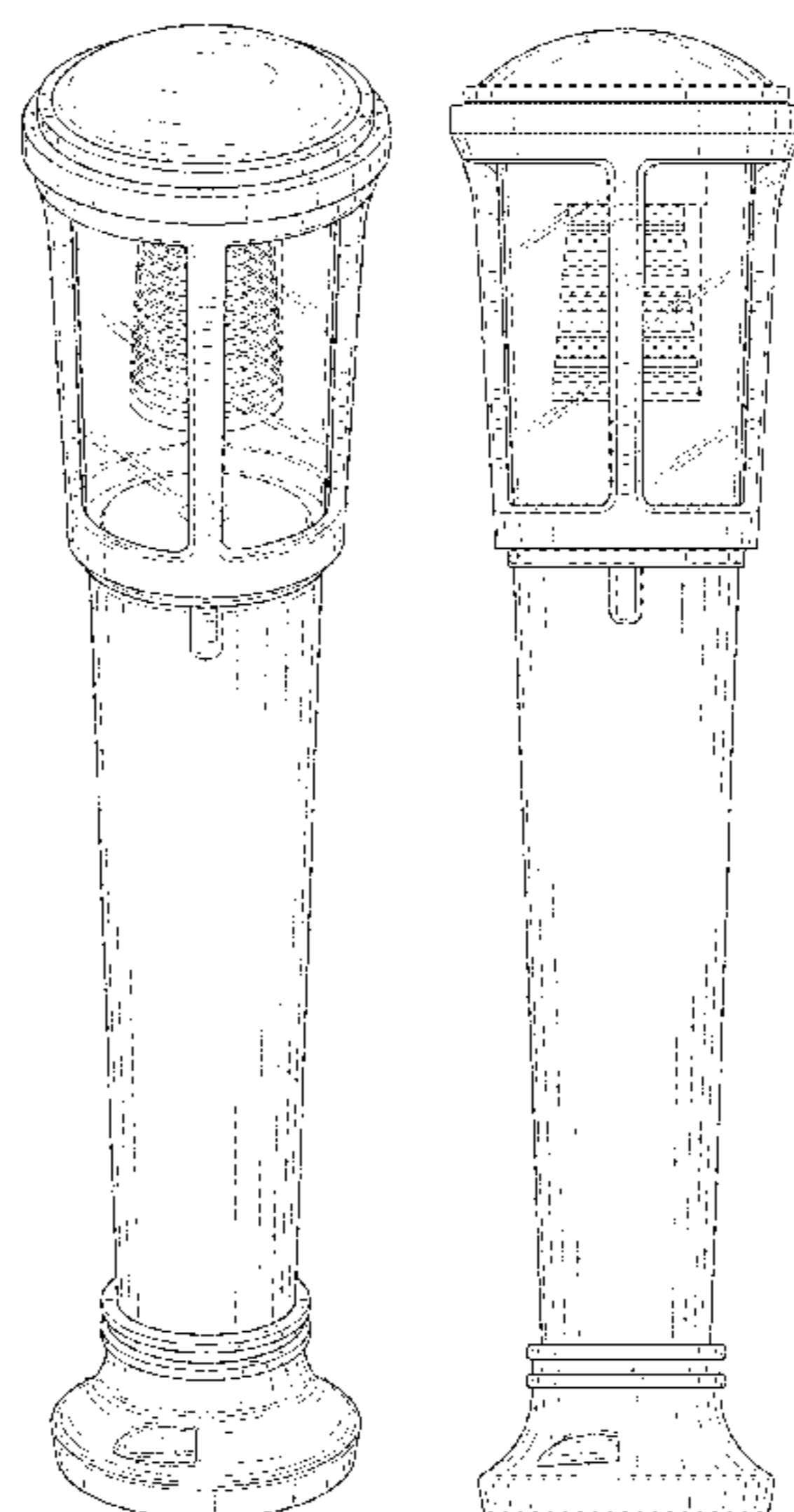
(57) **CLAIM**

The ornamental design for a luminaire, as shown and described.

**DESCRIPTION**

FIG. 1 is a bottom front perspective view showing my design;  
FIG. 2 is top front perspective view thereof;  
FIG. 3 is a front elevational view thereof;  
FIG. 4 is a rear elevational view thereof;  
FIG. 5 is a left side elevational view thereof;  
FIG. 6 is a right side elevational view thereof;  
FIG. 7 is a top plan view thereof; and,  
FIG. 8 is a bottom plan view thereof.  
The broken lines shown on the drawings depict portions of the luminaire that form no part of the claimed design.

**1 Claim, 7 Drawing Sheets**



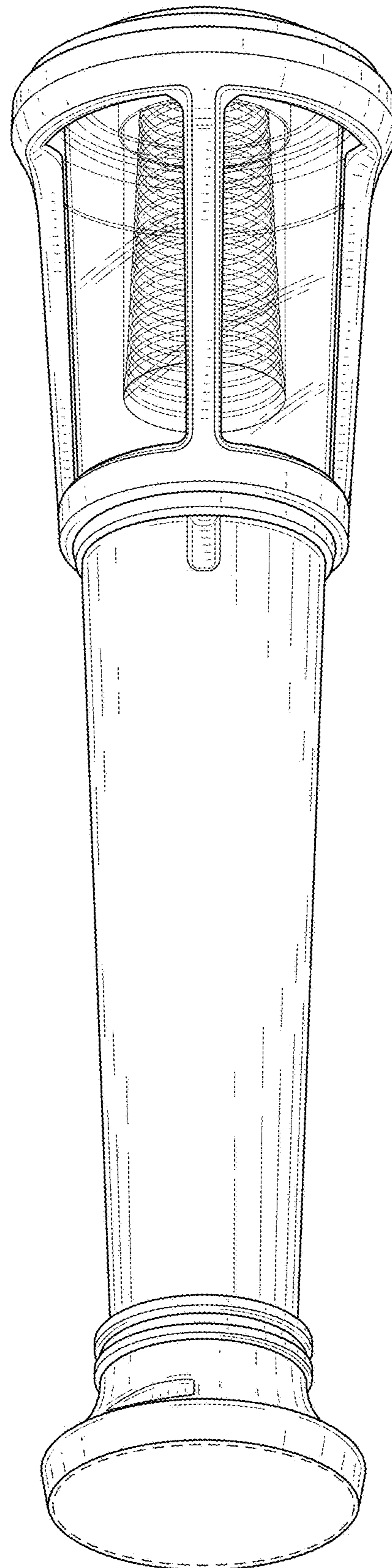


FIG. 1

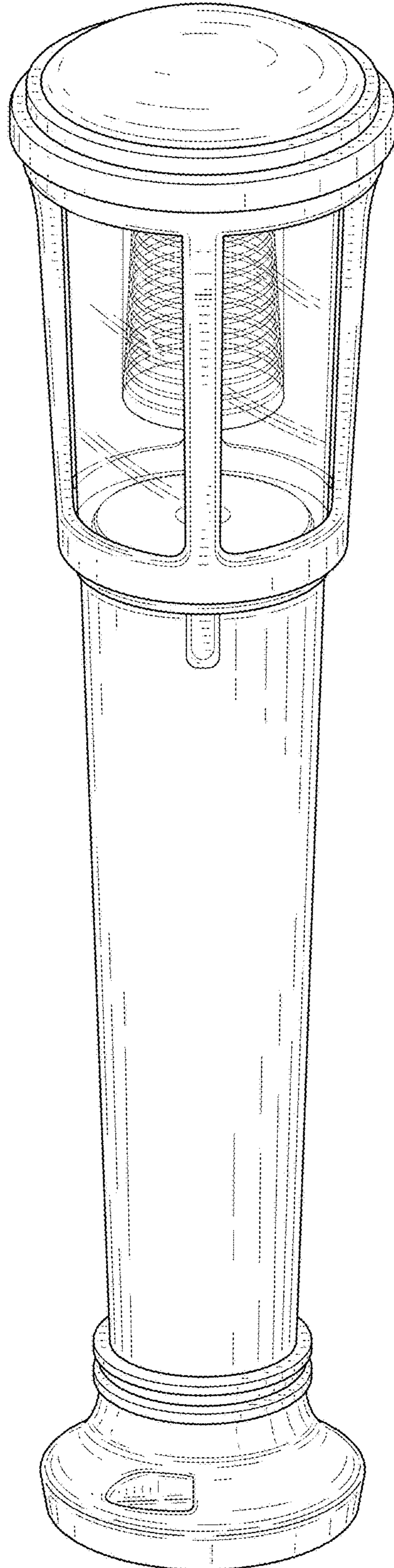


FIG. 2

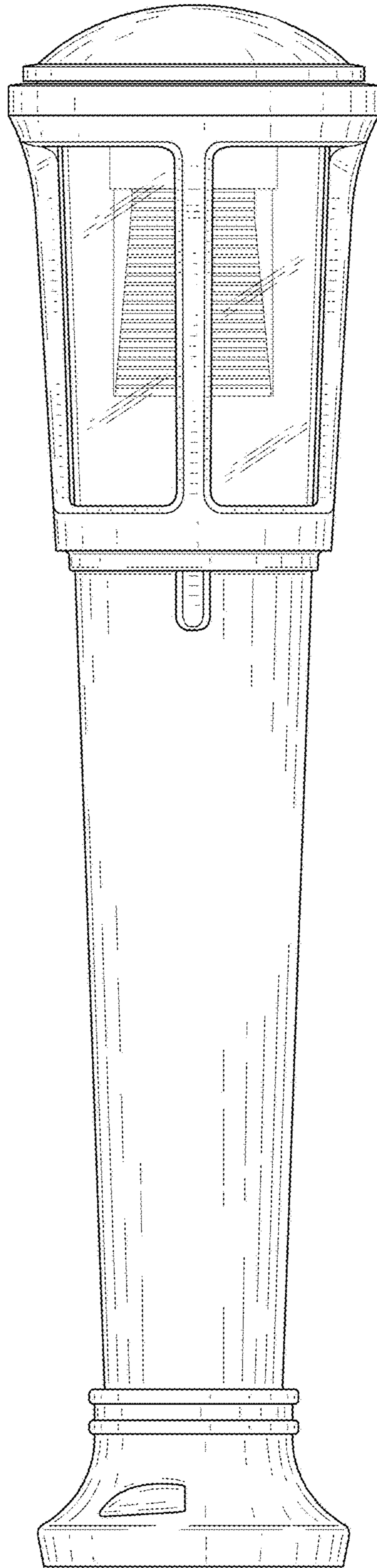


FIG. 3

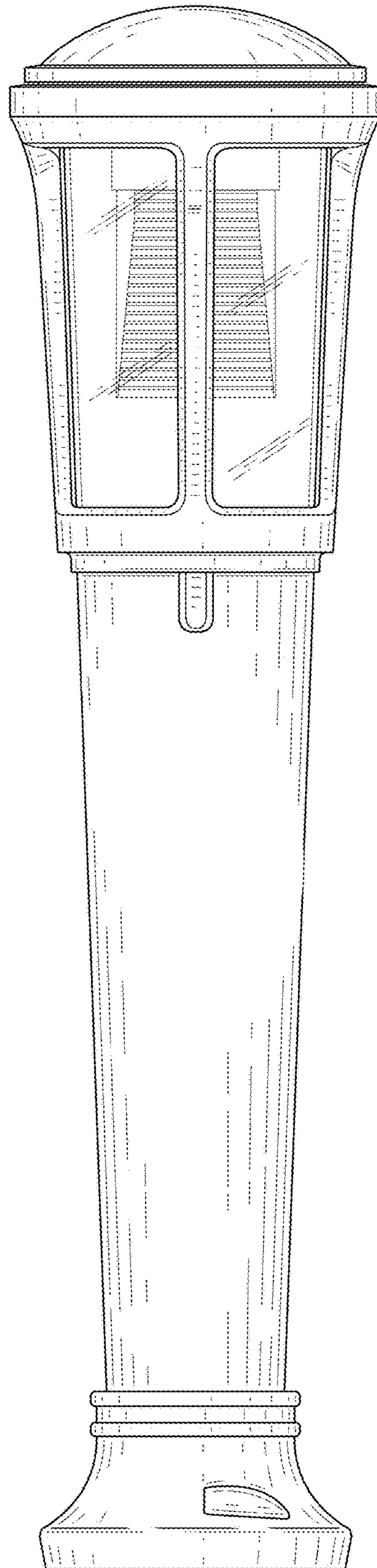


FIG. 4

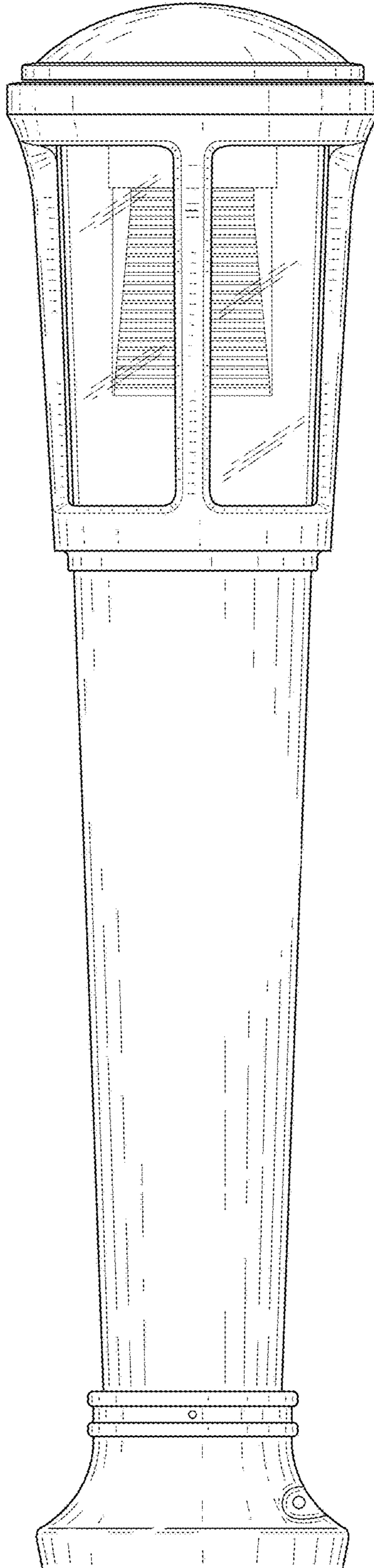


FIG. 5

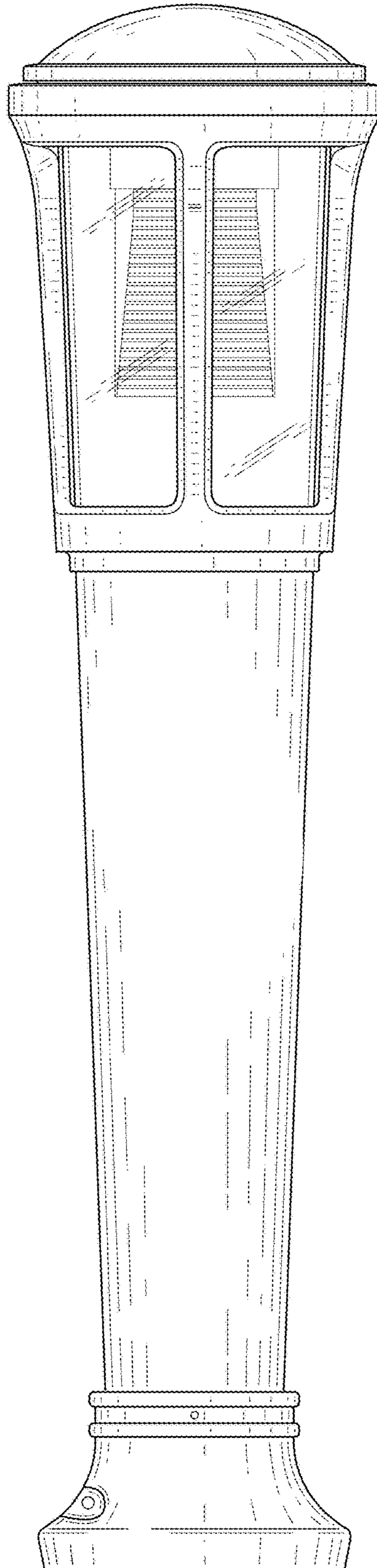


FIG. 6

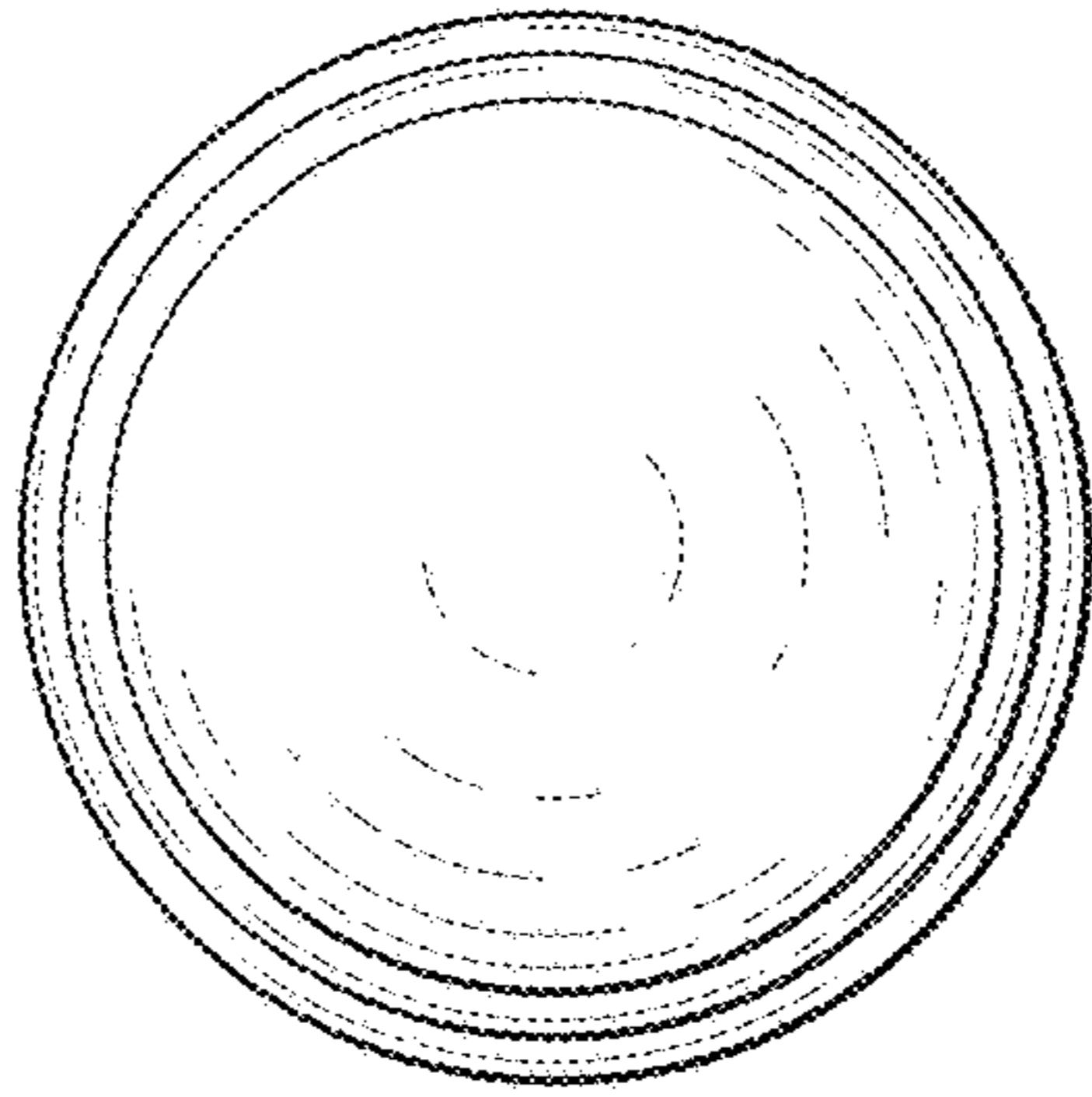


FIG. 7

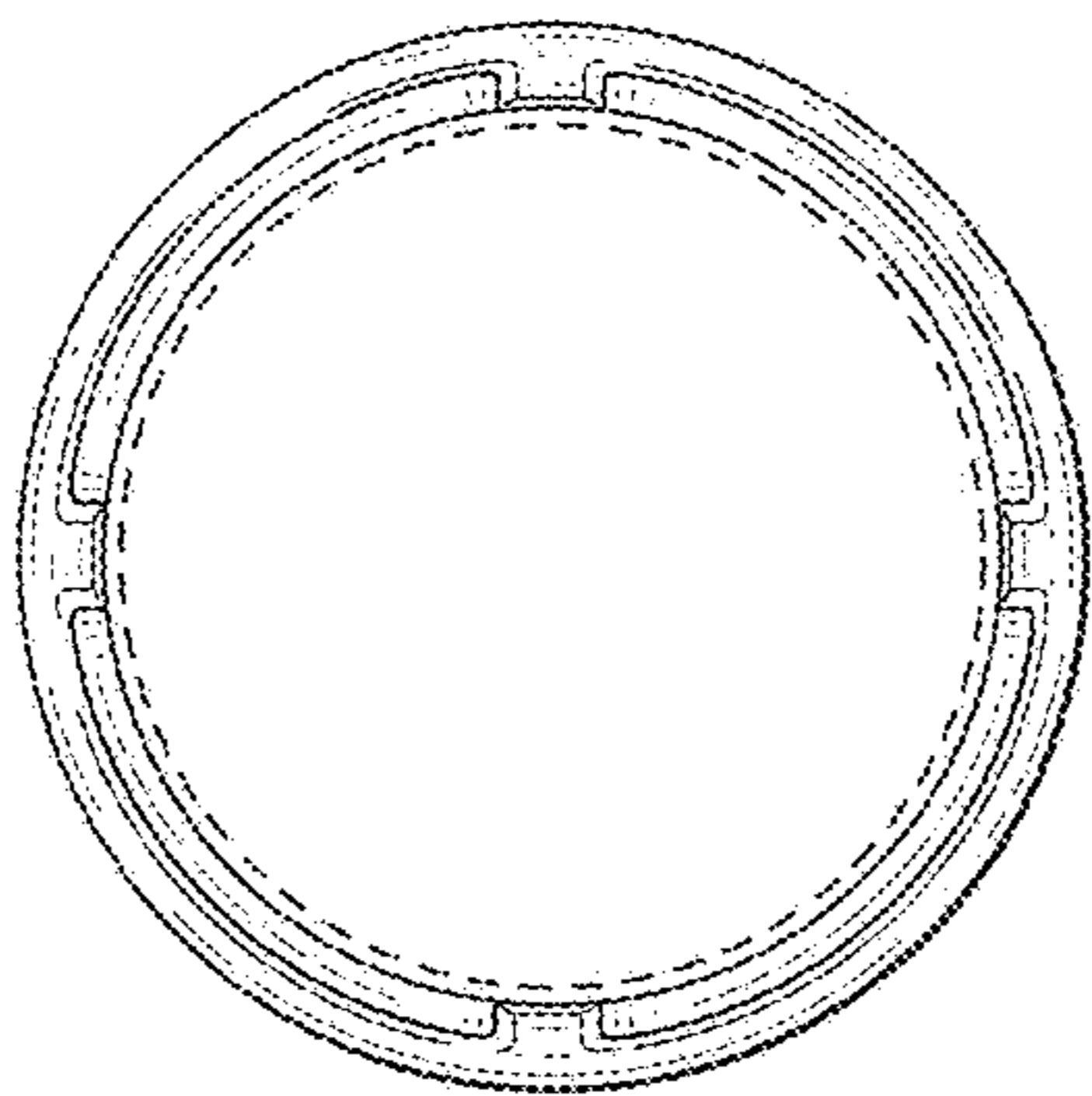


FIG. 8