



US00D795481S

(12) **United States Design Patent** (10) **Patent No.:** **US D795,481 S**
Bao (45) **Date of Patent:** **** Aug. 22, 2017**

(54) **WORKING LAMP**

(56) **References Cited**

(71) Applicant: **YUYAO YUCHANG ELECTRICAL APPLIANCE CO., LTD.**, Yuyao (CN)

U.S. PATENT DOCUMENTS

(72) Inventor: **Yong Bao**, Yuyao (CN)

| | | | |
|--------------|---------|---------------|--------|
| D380,568 S * | 7/1997 | Landy | D26/63 |
| D625,872 S * | 10/2010 | Leen | D26/63 |
| D744,139 S * | 11/2015 | Itoh | D26/63 |
| D754,383 S * | 4/2016 | Kovacik | D26/63 |
| D780,969 S * | 3/2017 | Zhu | D26/63 |
| D781,480 S * | 3/2017 | Zhan | D26/63 |

(73) Assignee: **Yuyao Yuchang Electrical Appliance Co., Ltd.**, Yuyao (CN)

* cited by examiner

(**) Term: **15 Years**

Primary Examiner — Brian N Vinson

(21) Appl. No.: **29/574,077**

(74) *Attorney, Agent, or Firm* — Wang Law Firm, Inc.

(22) Filed: **Aug. 11, 2016**

(57) **CLAIM**

The ornamental design for a working lamp, as shown and described.

(30) **Foreign Application Priority Data**

DESCRIPTION

Jul. 25, 2016 (CN) 2016 3 0342539

(51) **LOC (10) Cl.** **26-03**

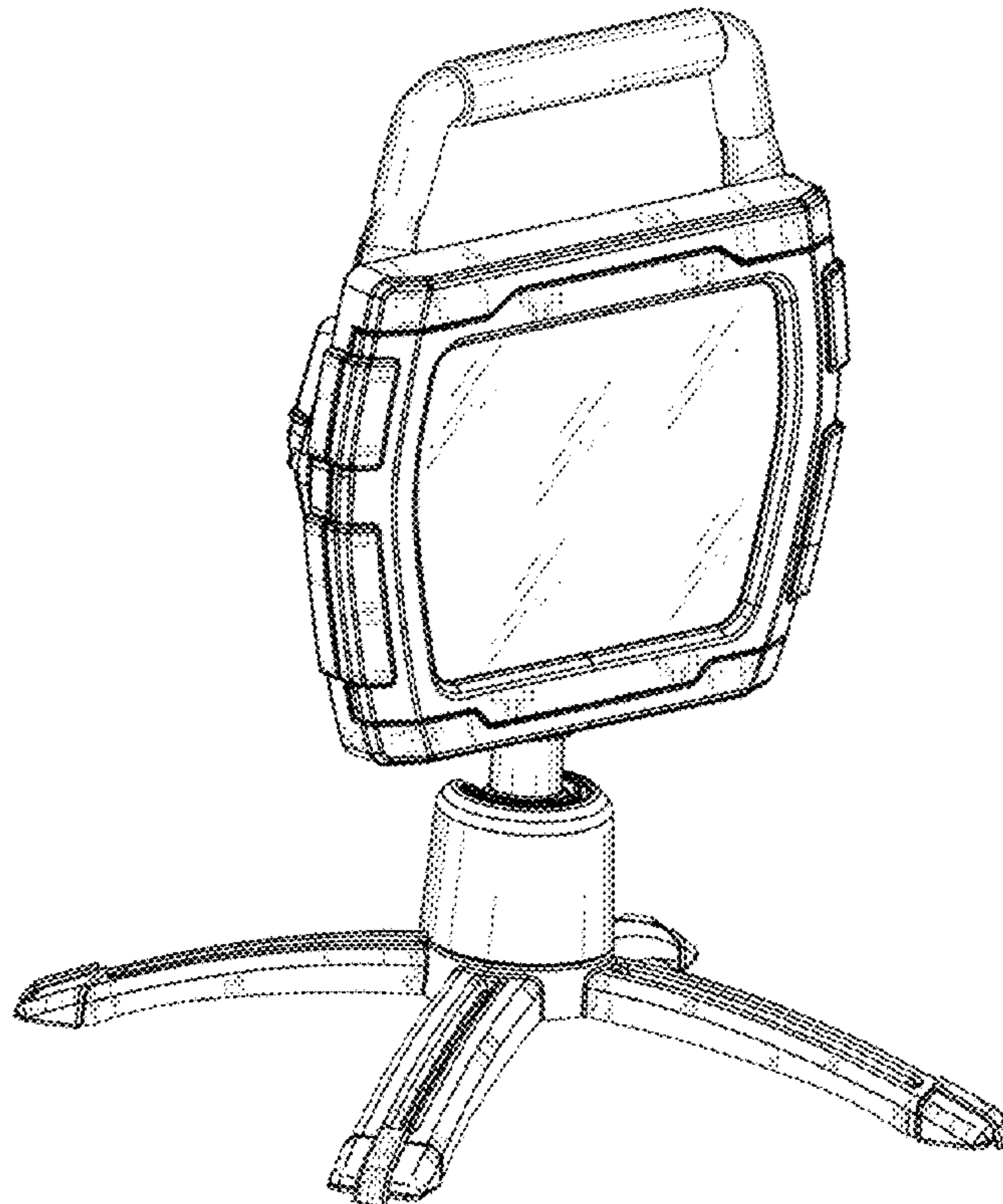
FIG. 1 is a front view showing my new design;
FIG. 2 is a rear view thereof;
FIG. 3 is a left view thereof;
FIG. 4 is a right view thereof;
FIG. 5 is a top view thereof;
FIG. 6 is a bottom view thereof;
FIG. 7 is a perspective view thereof; and,
FIG. 8 is an additional perspective view thereof, showing the lamp in an alternate position.

(52) **U.S. Cl.**
USPC **D26/63**

(58) **Field of Classification Search**
USPC D26/1, 24, 61, 63, 65, 85, 92
CPC F21V 21/14; F21V 15/01; F21V 14/02;
F21V 21/30; F21V 21/00; F21V 14/00;
F21S 8/00; F21S 8/003; F21S 8/043;
F21Y 2105/001

See application file for complete search history.

1 Claim, 7 Drawing Sheets



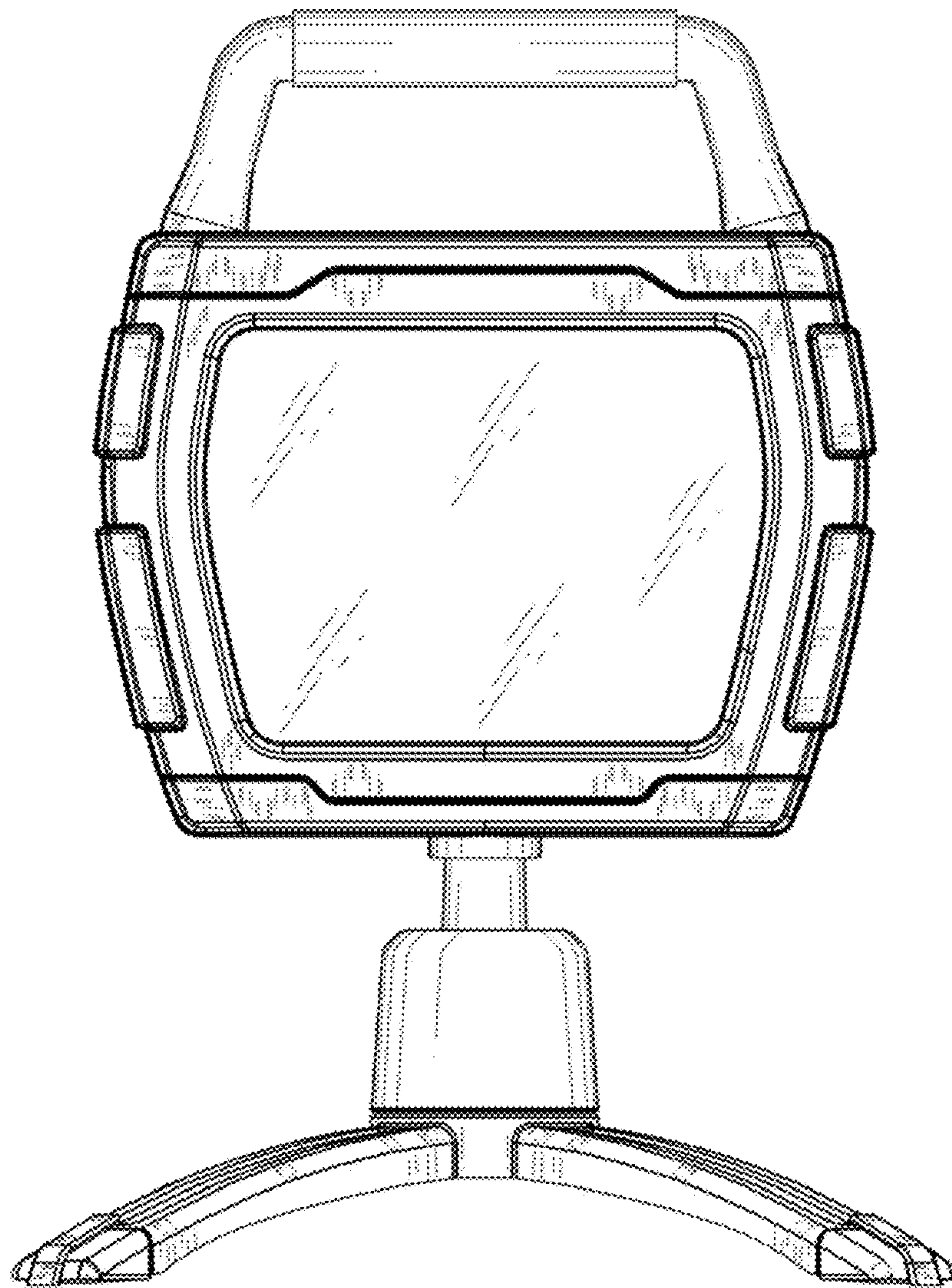


FIG. 1

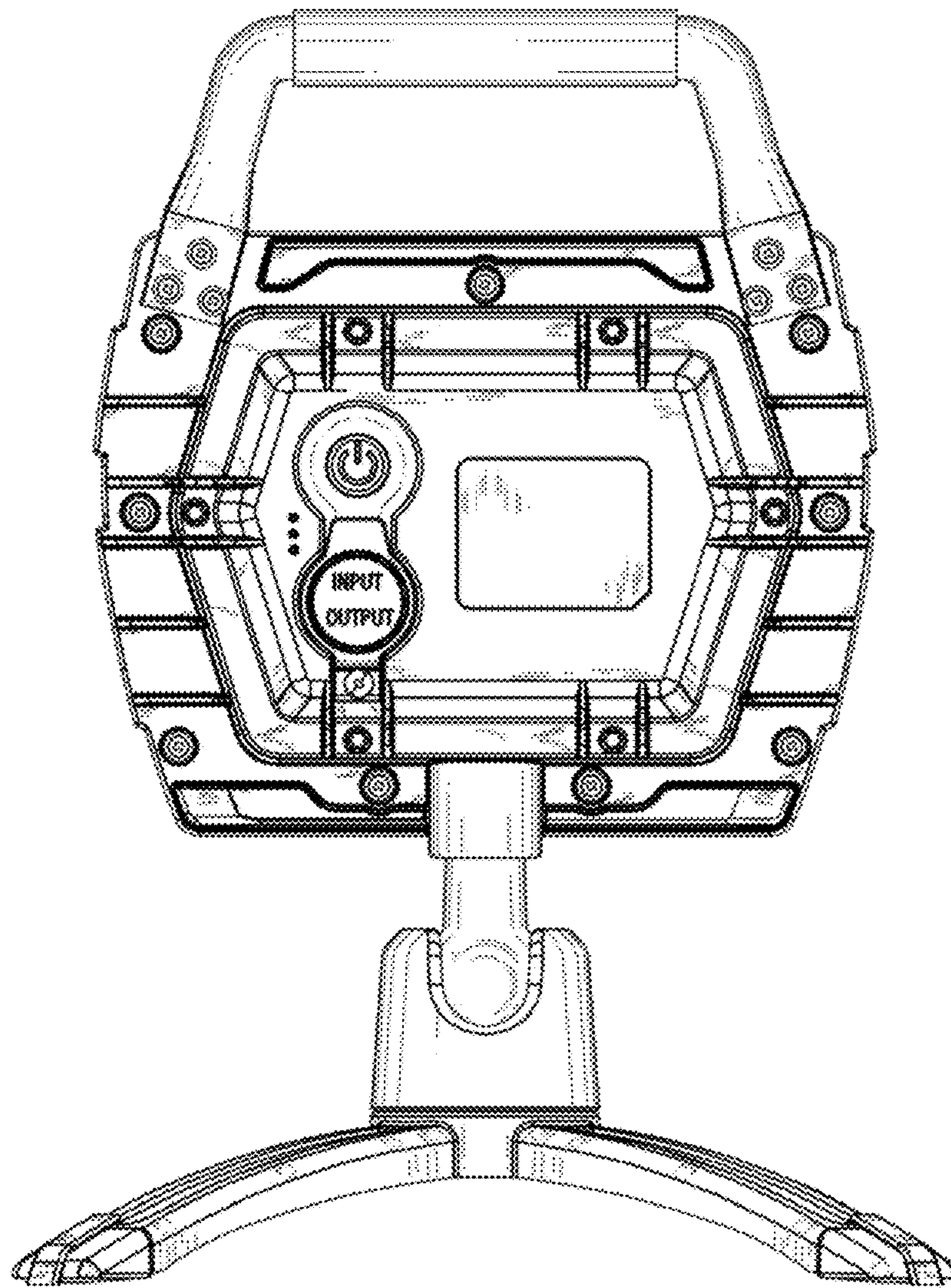


FIG. 2

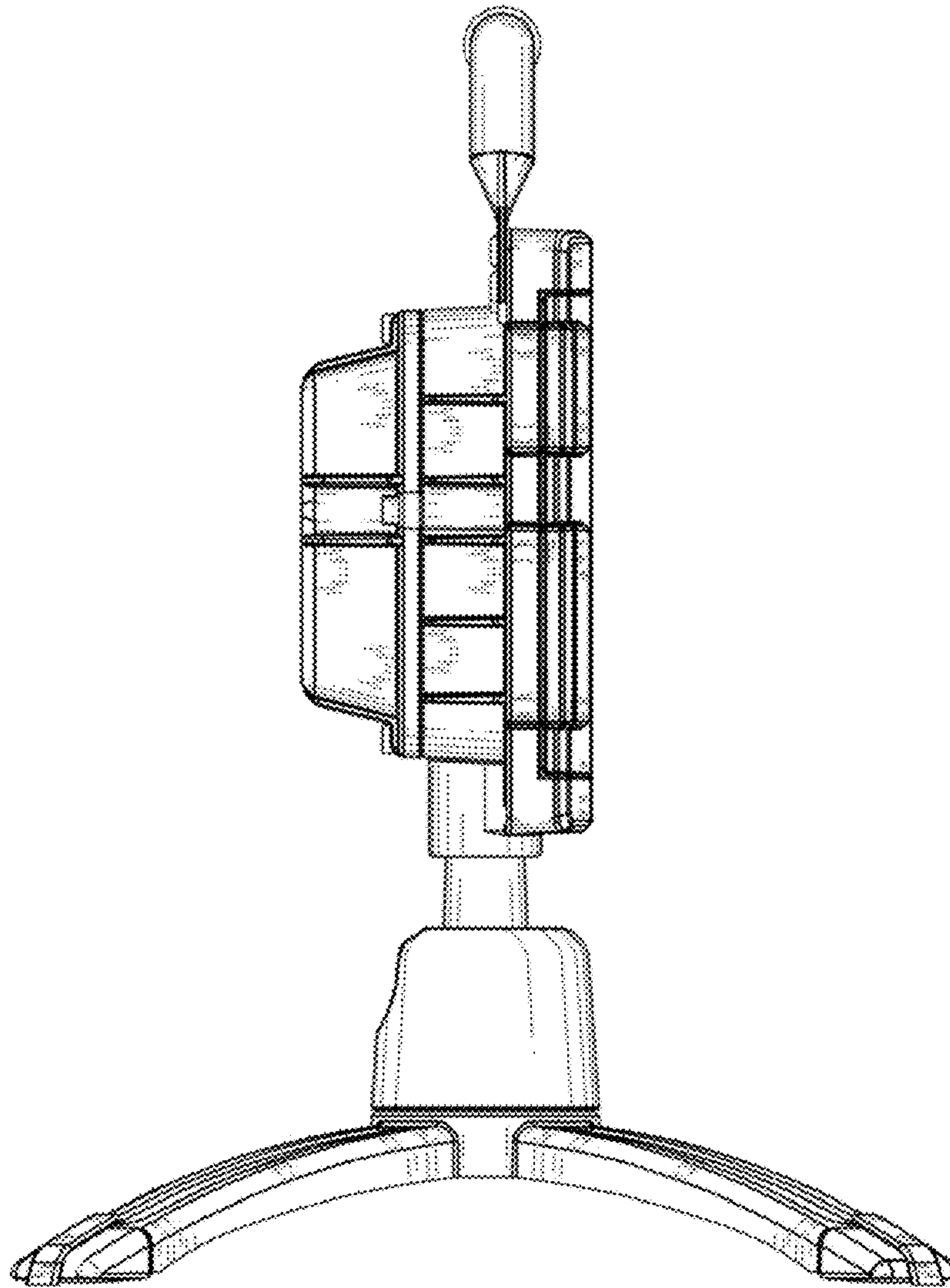


FIG. 3

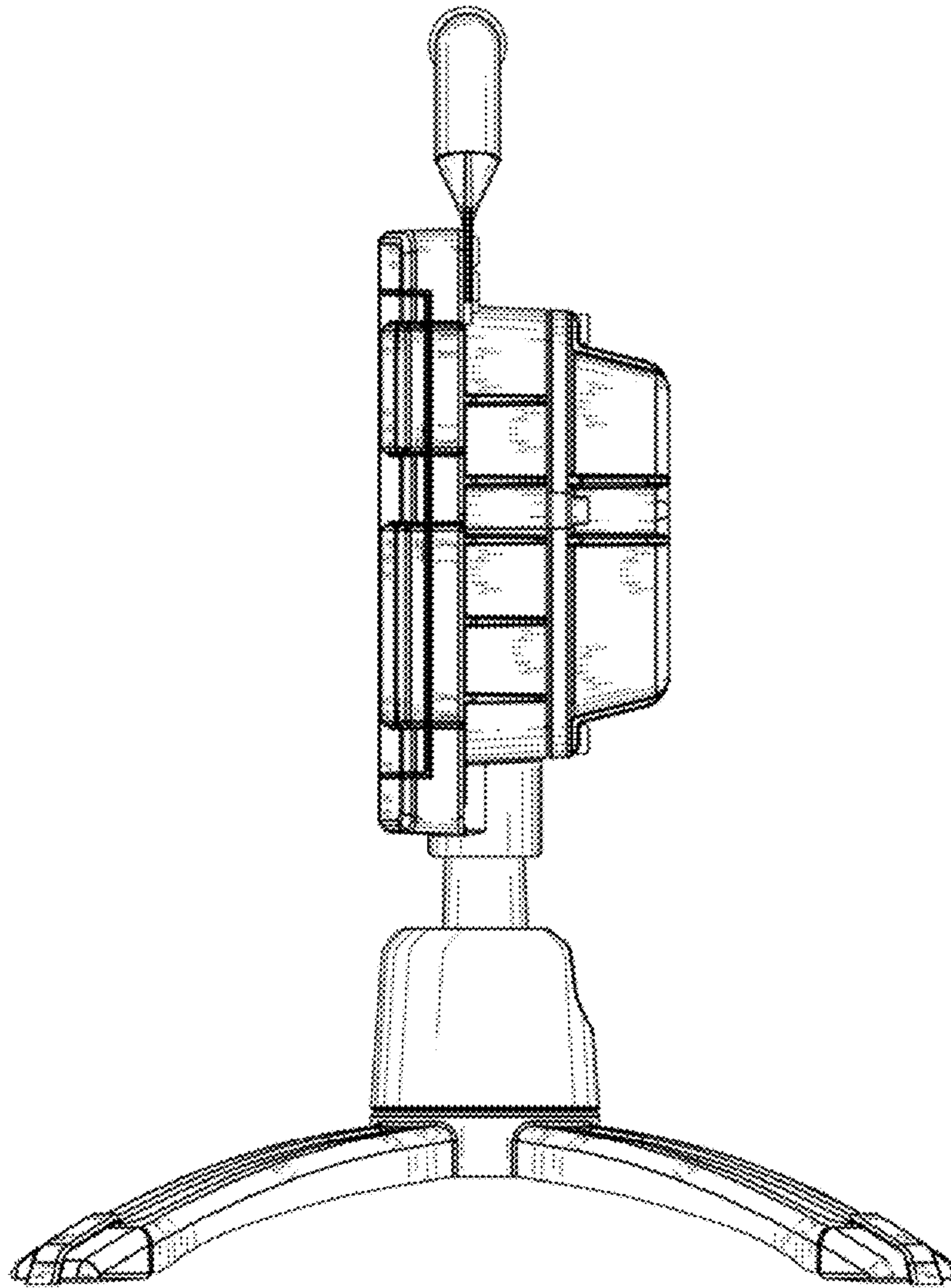


FIG. 4

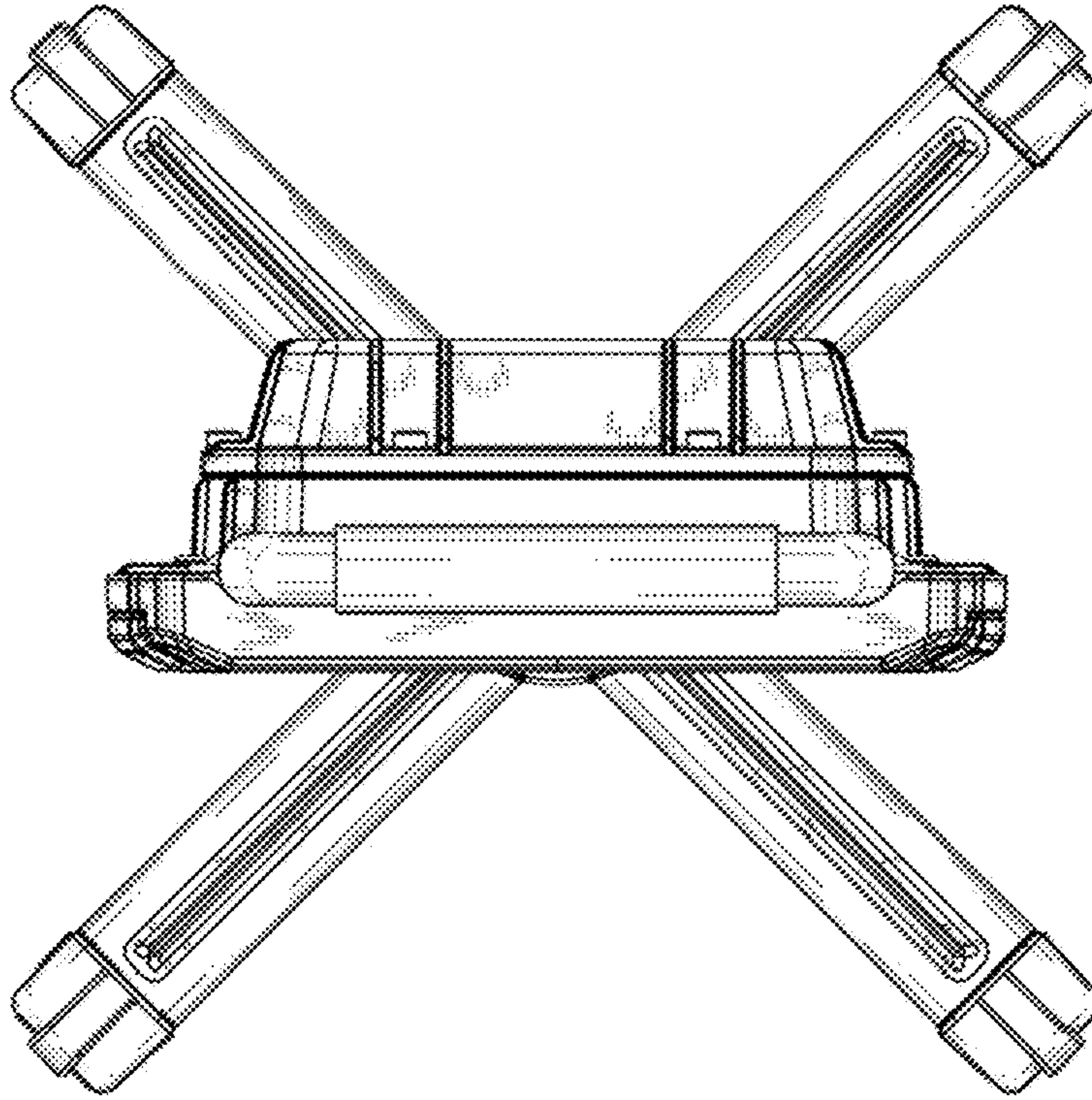


FIG. 5

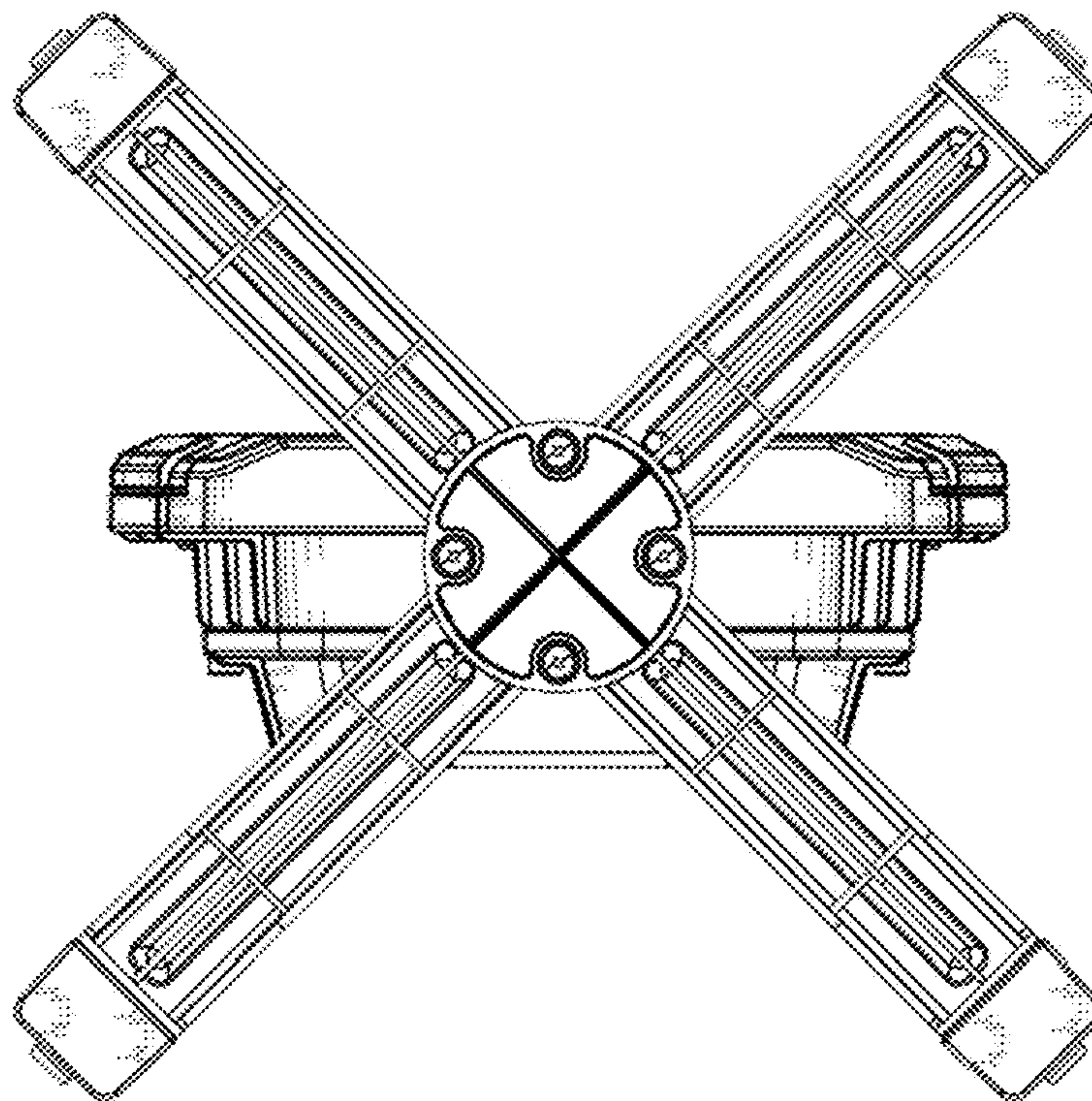


FIG. 6

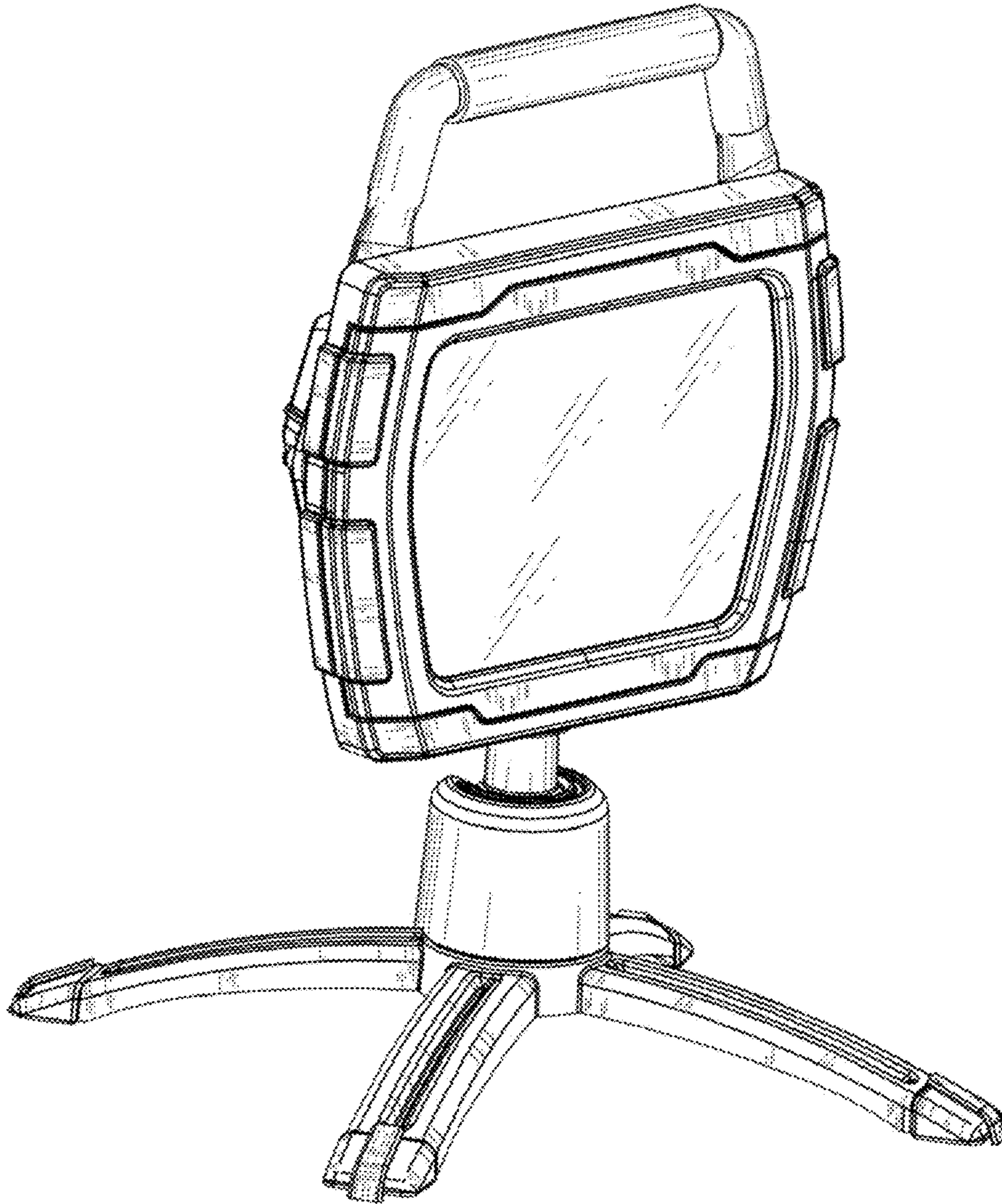


FIG. 7

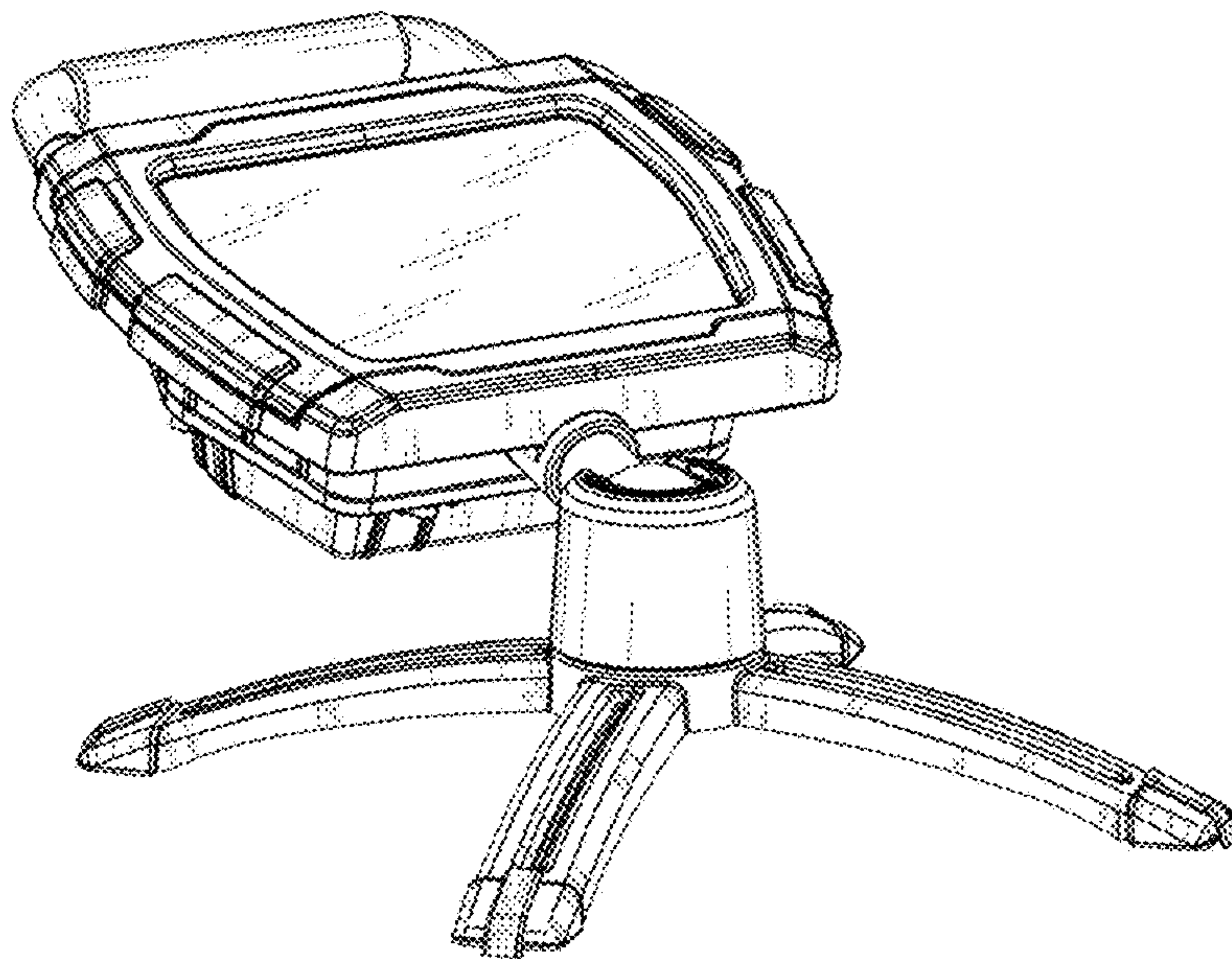


FIG. 8