



US00D795480S

(12) **United States Design Patent** (10) **Patent No.:** **US D795,480 S**
Goetz-Schaefer (45) **Date of Patent:** **** Aug. 22, 2017**

(54) **LUMINAIRE**

(71) Applicant: **ZUMTOBEL LIGHTING GMBH,**
Lemgo (DE)

(72) Inventor: **Katharina Goetz-Schaefer,** Bad
Salzuflen (DE)

(73) Assignee: **ZUMTOBEL LIGHTING GMBH,**
Lemgo (DE)

(**) Term: **15 Years**

(21) Appl. No.: **29/559,057**

(22) Filed: **Mar. 24, 2016**

(30) **Foreign Application Priority Data**

Sep. 24, 2015 (EM) 002 778 613

(51) **LOC (10) Cl.** **26-03**

(52) **U.S. Cl.**
USPC **D26/63**

(58) **Field of Classification Search**
USPC D26/60, 63, 67-71, 138
CPC F21V 3/0445; F21V 21/32; F21V 21/0824;
F21V 21/30; F21S 6/003; F21S 6/005;
F21S 6/0032; F21S 8/081; F21S 8/083;
F21S 8/085; F21S 8/088; F21W
2131/103; F21W 2131/109

See application file for complete search history.

(56) **References Cited**

U.S. PATENT DOCUMENTS

D326,331 S *	5/1992	Riccadelli	D26/63
D475,479 S *	6/2003	Lin	D26/63
D552,284 S *	10/2007	Kosche	D26/63
D566,873 S *	4/2008	Grundl	D26/63
7,762,688 B2 *	7/2010	Dixon	F21V 21/30 362/287
D633,241 S *	2/2011	Piano	D26/63
D647,657 S *	10/2011	Janssen	D26/63

* cited by examiner

Primary Examiner — Brian N Vinson

(74) *Attorney, Agent, or Firm* — Scully Scott Murphy and
Presser; Frank Digiglio

(57) **CLAIM**

The ornamental design for a luminaire, as shown and
described.

DESCRIPTION

FIG. 1 illustrates a perspective view showing the ornamental
design;

FIG. 2 illustrates a perspective view thereof;

FIG. 3 illustrates a side view thereof;

FIG. 4 illustrates a side view thereof;

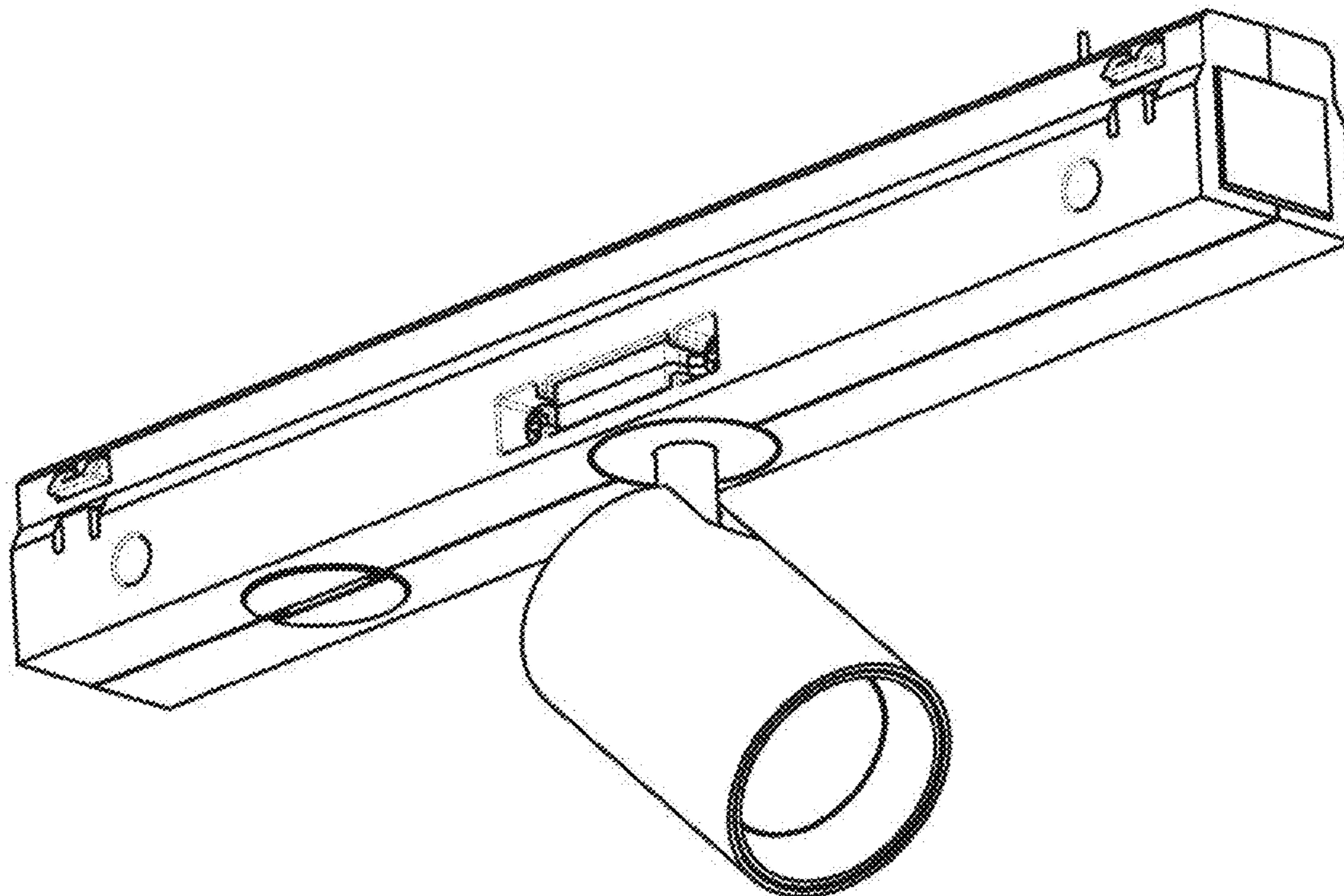
FIG. 5 illustrates a back view thereof;

FIG. 6 illustrates a bottom view thereof;

FIG. 7 illustrates a top view thereof; and,

FIG. 8 illustrates a front view thereof.

1 Claim, 8 Drawing Sheets



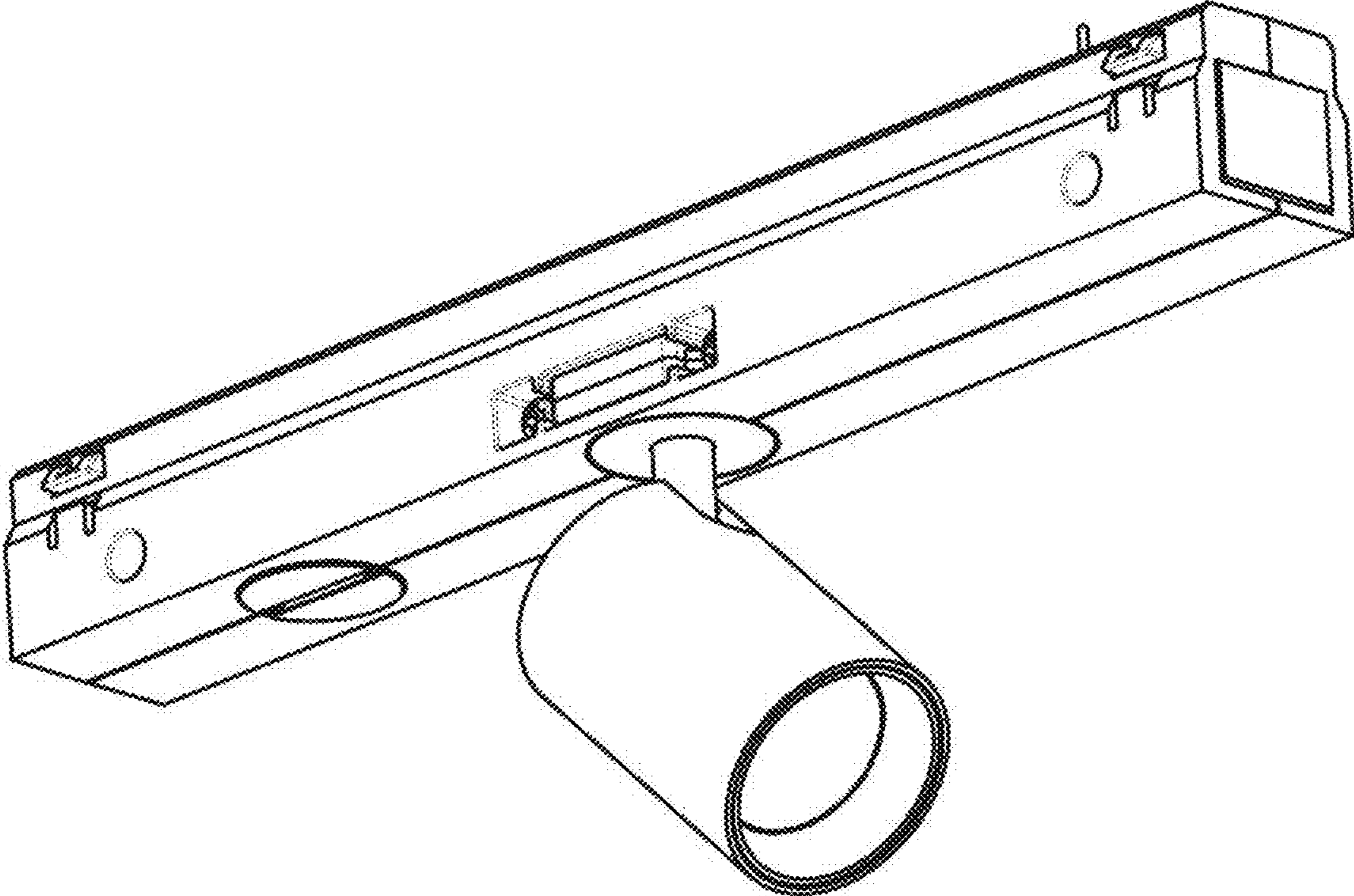


Fig. 1

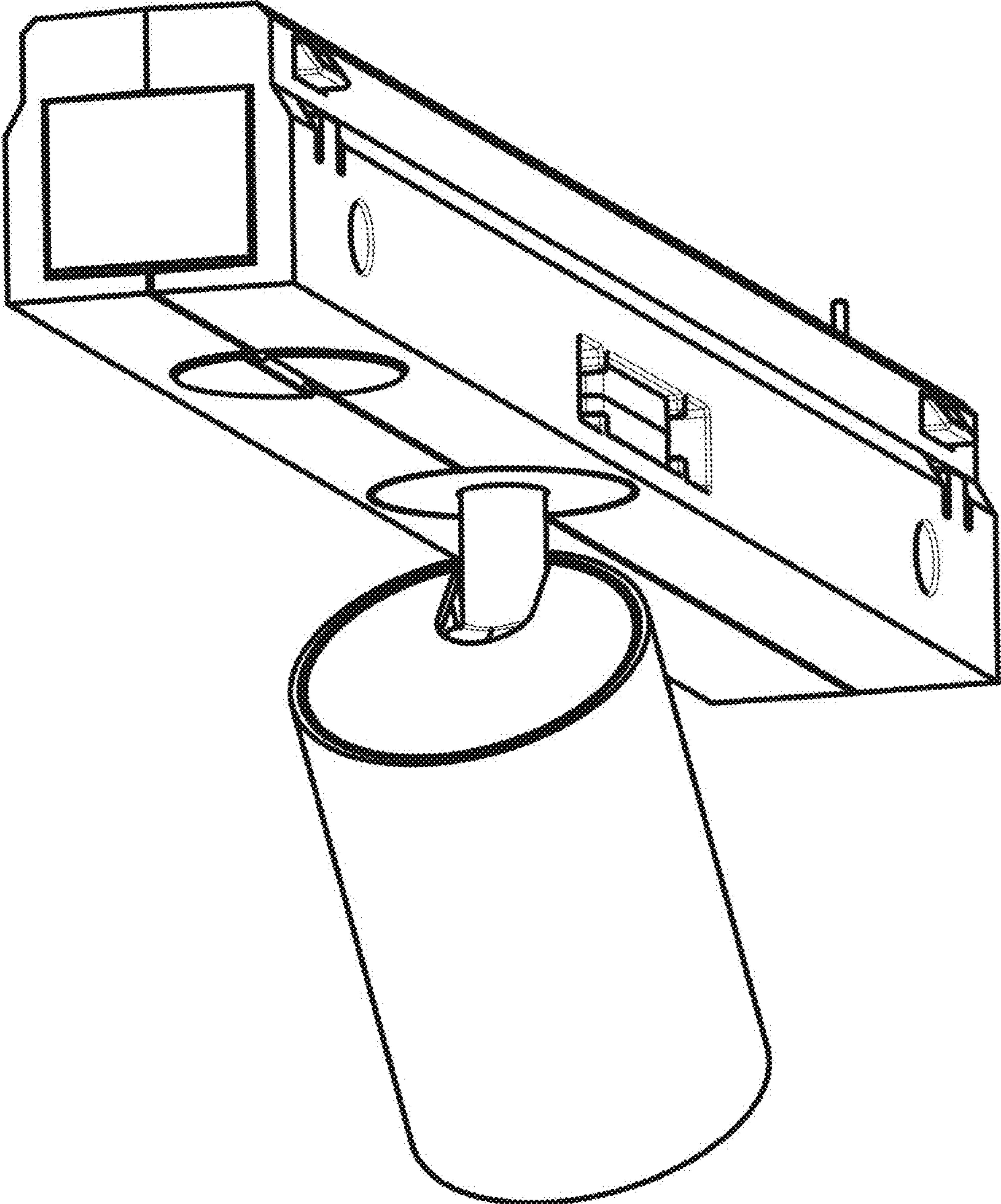


Fig. 2

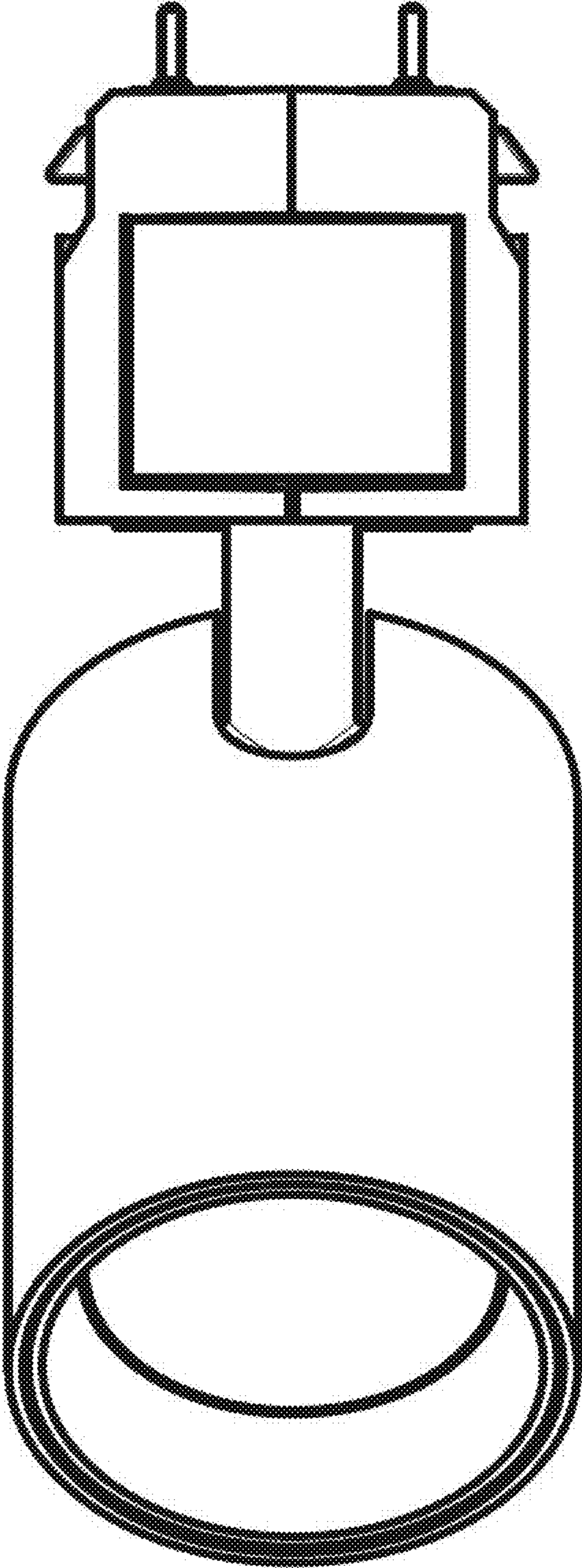


Fig. 3

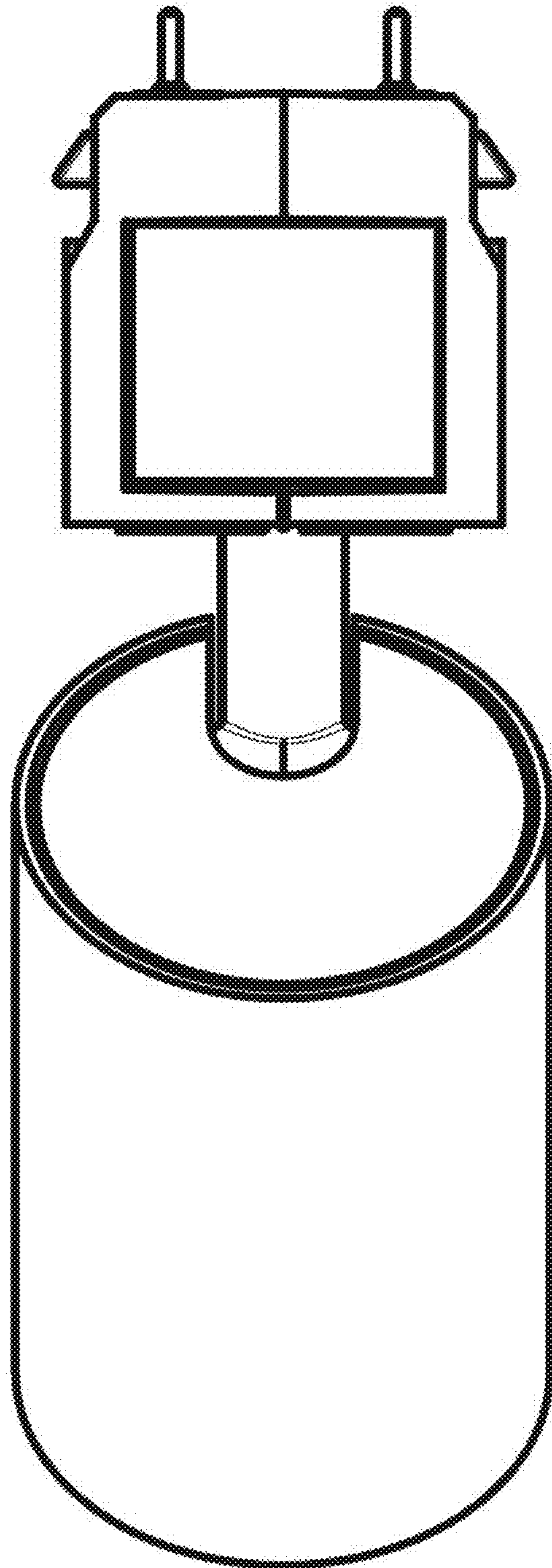


Fig. 4

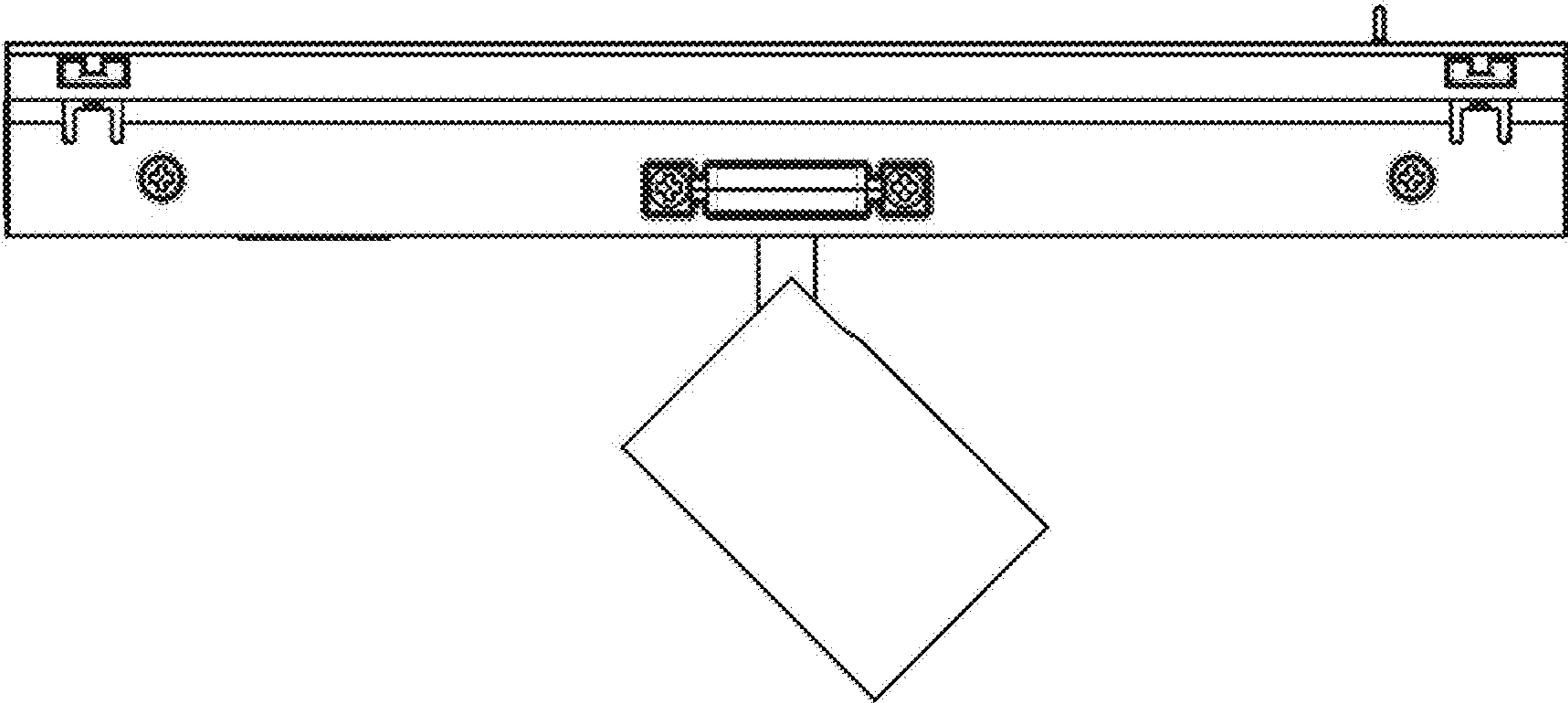


Fig. 5

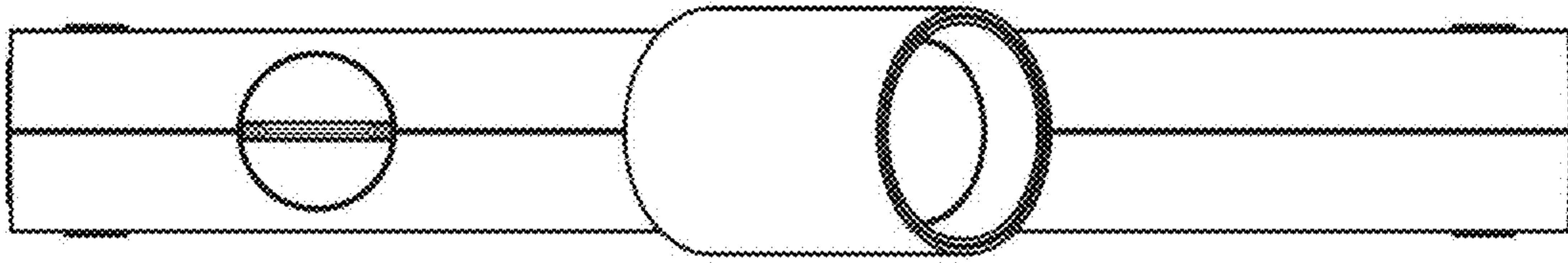


Fig. 6

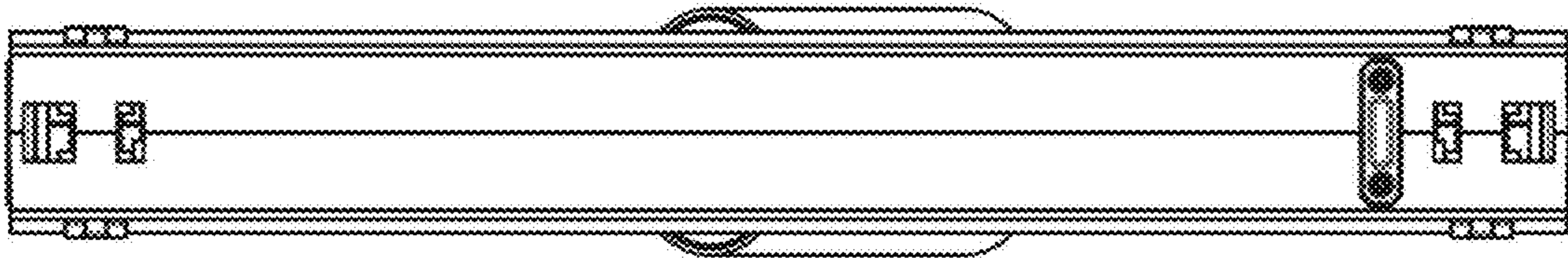


Fig. 7

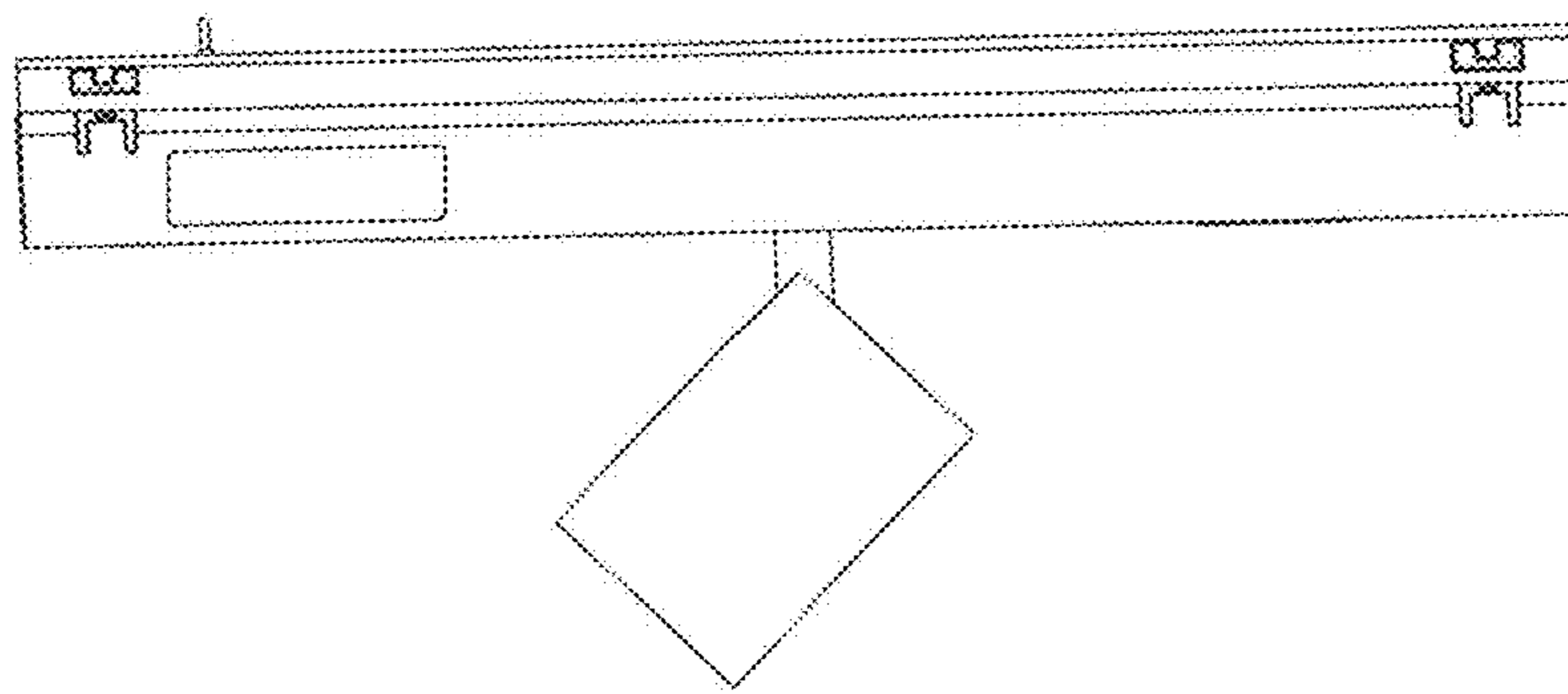


Fig. 8