



US00D795478S

(12) **United States Design Patent** (10) **Patent No.:** **US D795,478 S**  
**Goetz-Schaefer** (45) **Date of Patent:** **\*\* Aug. 22, 2017**

(54) **LUMINAIRE**

(71) Applicant: **ZUMTOBEL LIGHTING GMBH,**  
Lemgo (DE)

(72) Inventor: **Katharina Goetz-Schaefer,** Bad  
Salzufflen (DE)

(73) Assignee: **ZUMTOBEL LIGHTING GMBH,**  
Lemgo (DE)

(\*\*) Term: **15 Years**

(21) Appl. No.: **29/559,053**

(22) Filed: **Mar. 24, 2016**

(30) **Foreign Application Priority Data**

Sep. 24, 2015 (EM) ..... 002 778 613

(51) **LOC (10) Cl.** ..... **26-03**

(52) **U.S. Cl.**  
USPC ..... **D26/63**

(58) **Field of Classification Search**  
USPC ..... D26/60, 63, 67-71, 138  
CPC .... F21V 3/0445; F21V 21/32; F21V 21/0824;  
F21V 21/30; F21S 6/003; F21S 6/005;  
F21S 6/0032; F21S 8/081; F21S 8/083;  
F21S 8/085; F21S 8/088; F21W  
2131/103; F21W 2131/109

See application file for complete search history.

(56) **References Cited**

U.S. PATENT DOCUMENTS

D326,331 S *	5/1992	Riccadelli .....	D26/63
D475,479 S *	6/2003	Lin .....	D26/63
D552,284 S *	10/2007	Kosche .....	D26/63
D566,873 S *	4/2008	Grundl .....	D26/63
7,762,688 B2 *	7/2010	Dixon .....	F21V 21/30 362/287
D633,241 S *	2/2011	Piano .....	D26/63
D647,657 S *	10/2011	Janssen .....	D26/63

\* cited by examiner

*Primary Examiner* — Brian N Vinson

(74) *Attorney, Agent, or Firm* — Scully Scott Murphy and  
Presser; Frank Digiglio

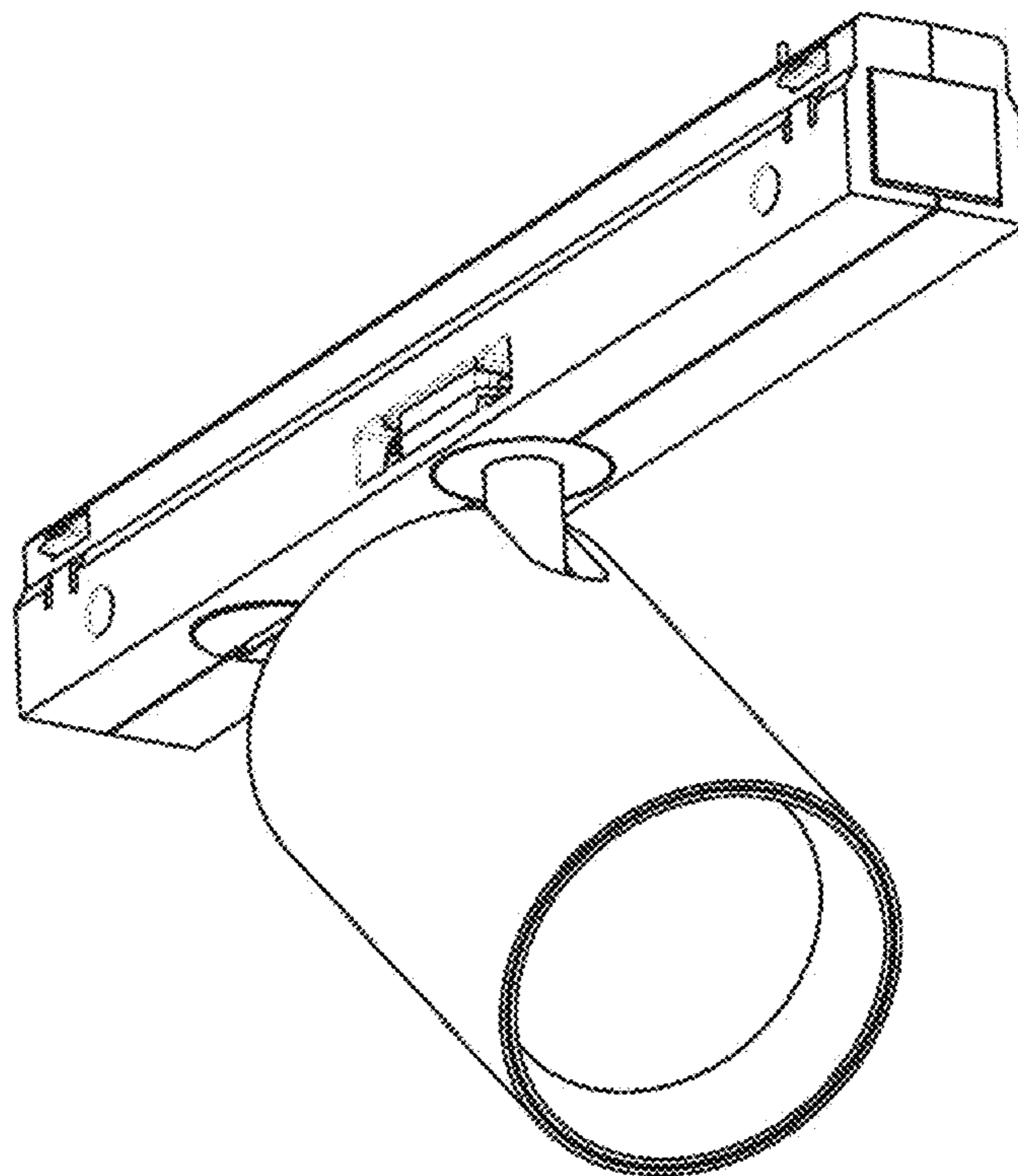
(57) **CLAIM**

The ornamental design for a luminaire, as shown and  
described.

**DESCRIPTION**

FIG. 1 illustrates a perspective view showing the ornamental  
design;  
FIG. 2 illustrates a side view thereof;  
FIG. 3 illustrates a side view thereof;  
FIG. 4 illustrates a back view thereof;  
FIG. 5 illustrates a front view thereof;  
FIG. 6 illustrates a bottom view thereof; and,  
FIG. 7 illustrates a top view thereof.

**1 Claim, 7 Drawing Sheets**



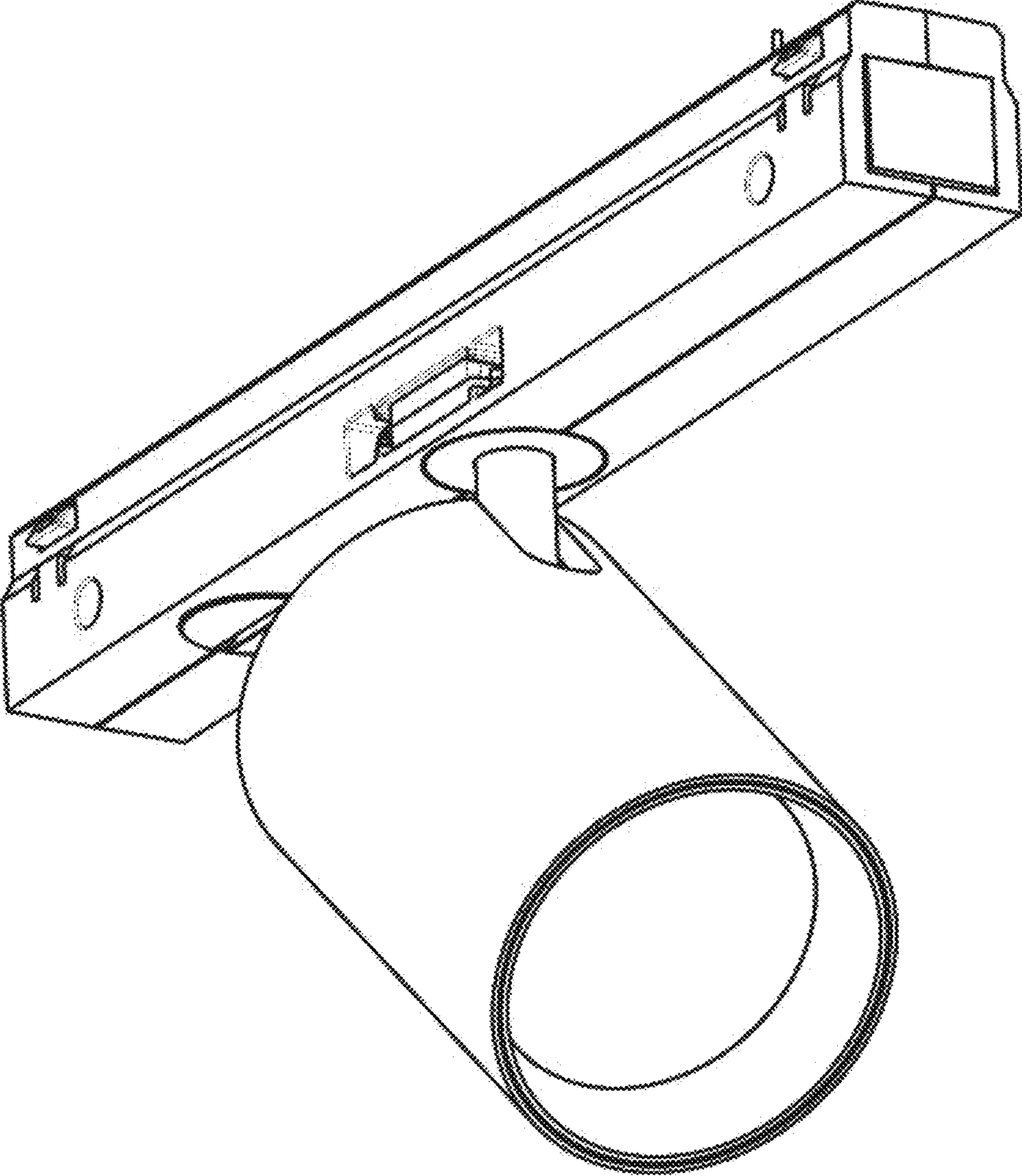


Fig. 1

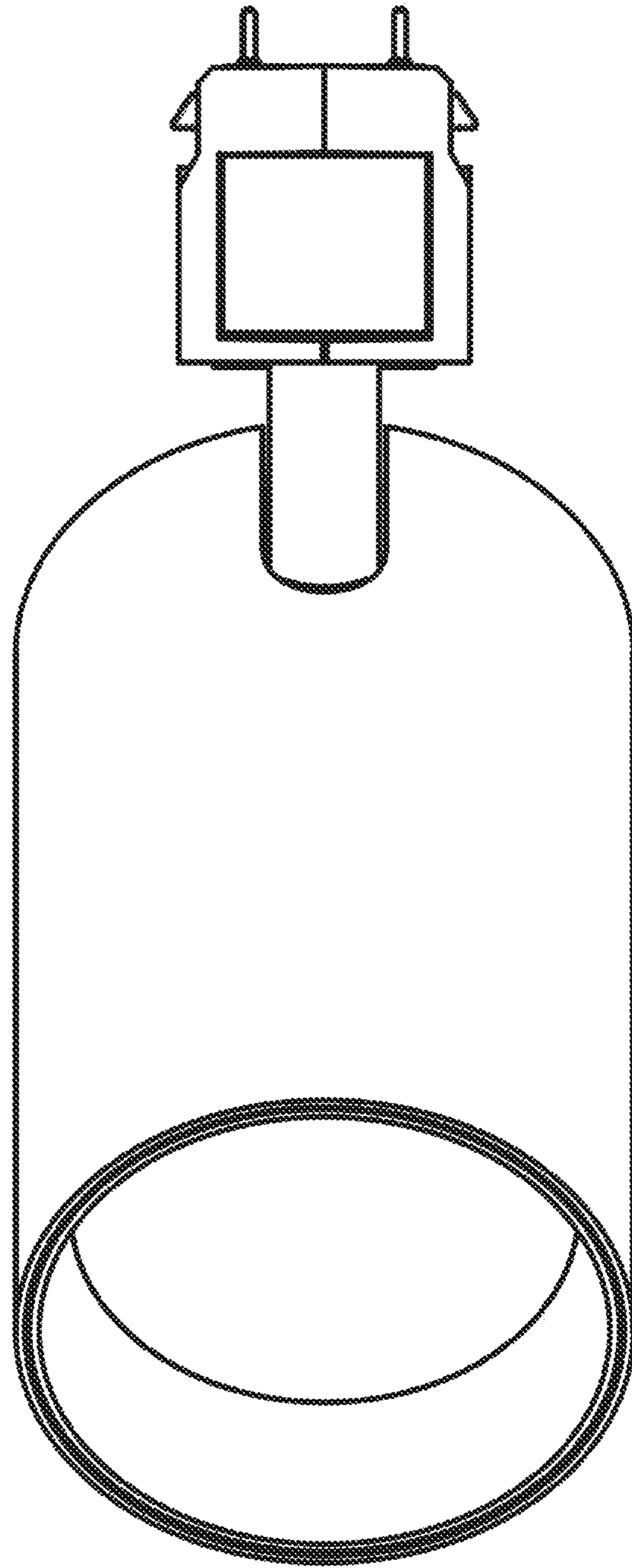


Fig. 2

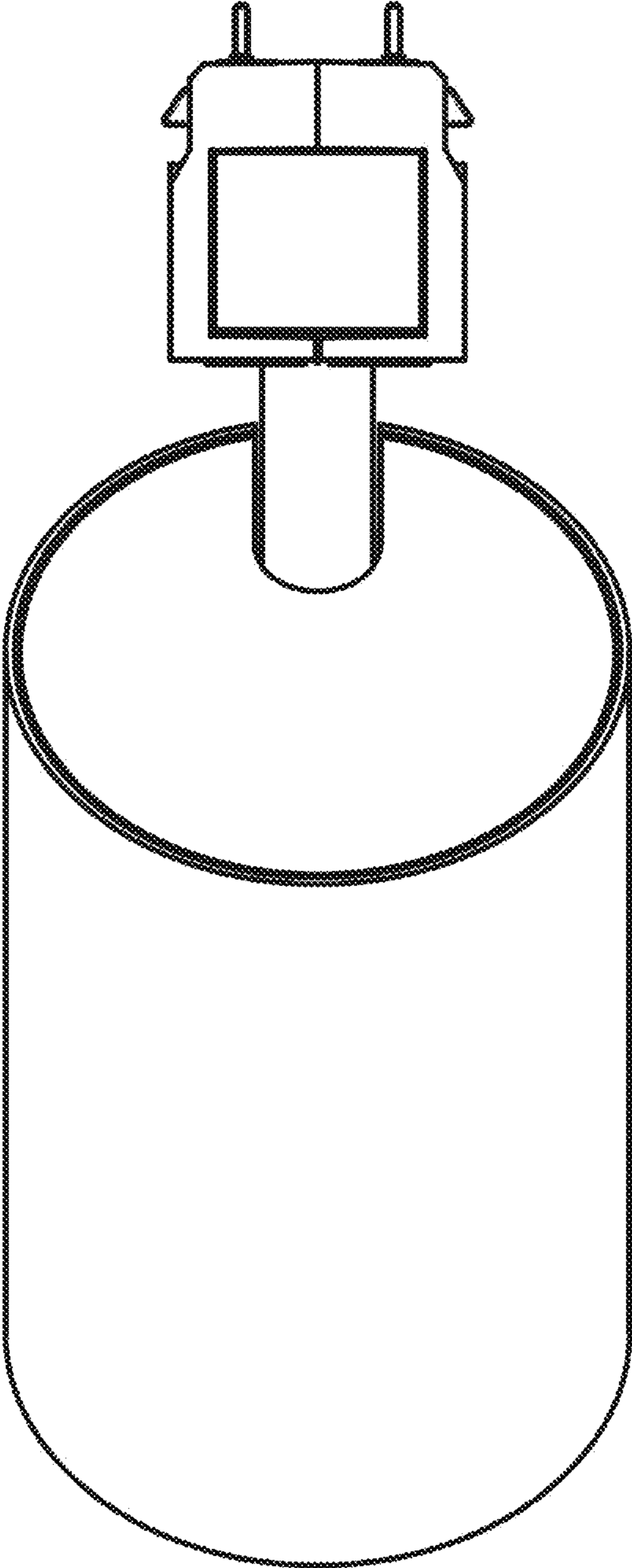


Fig. 3

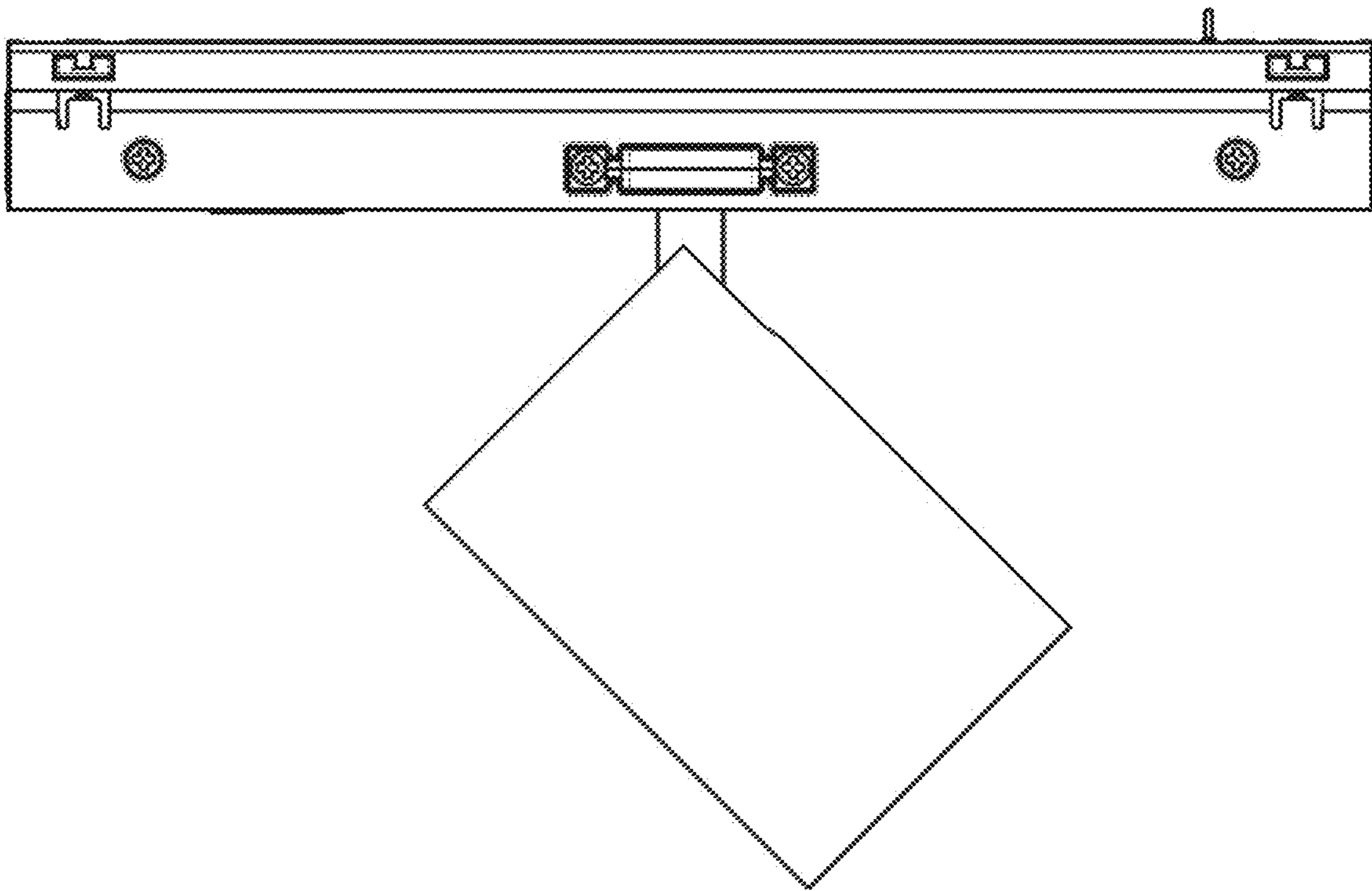


Fig. 4

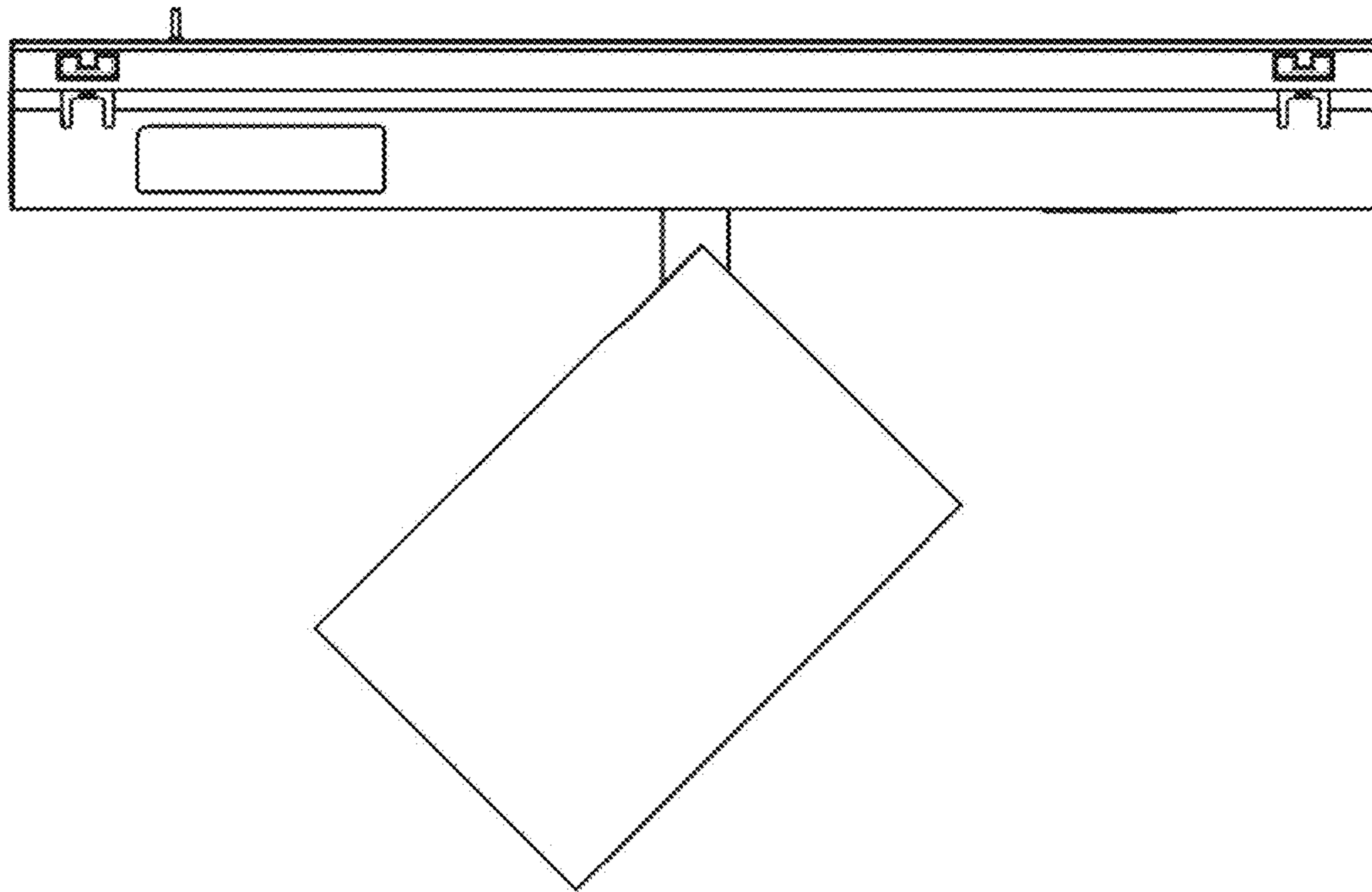


Fig. 5

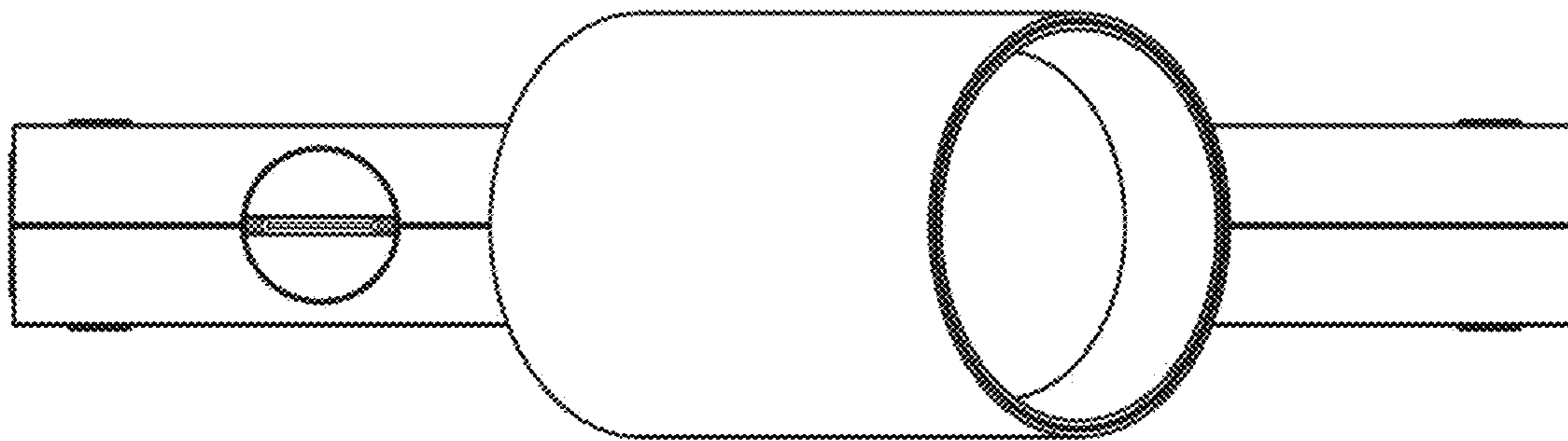


Fig. 6

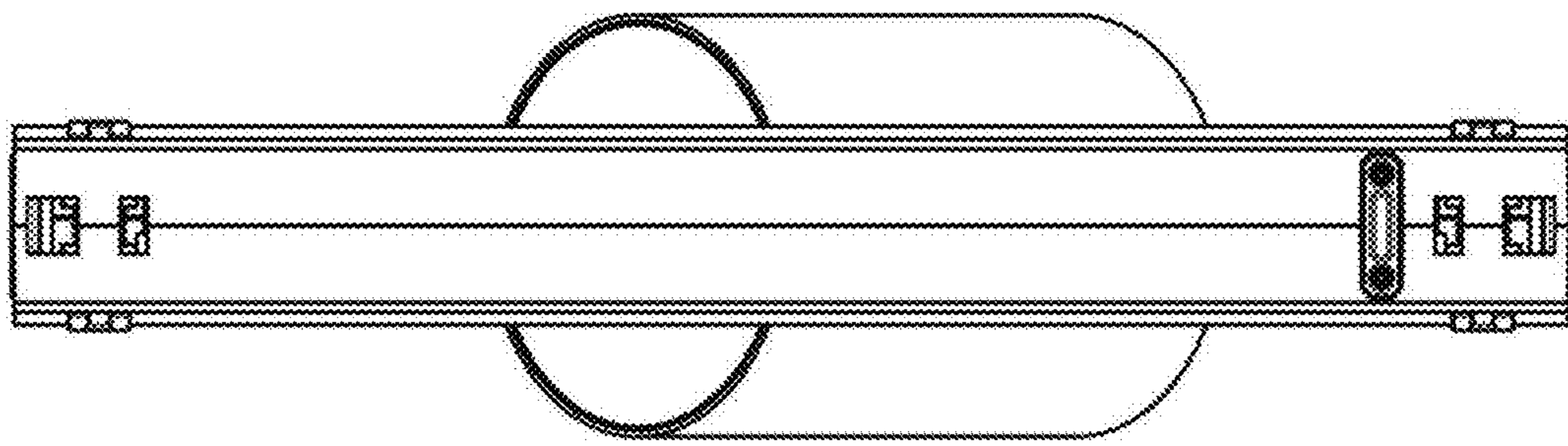


Fig. 7