



US00D795477S

(12) **United States Design Patent** (10) **Patent No.:** **US D795,477 S**
Fissell et al. (45) **Date of Patent:** **** Aug. 22, 2017**

(54) **LIGHT**

FOREIGN PATENT DOCUMENTS

(71) Applicant: **FISSELL ENTERPRISES, INC.**, San Luis Obispo, CA (US)

CN 204062513 U 12/2014
WO WO 2007/103979 A1 9/2007

(72) Inventors: **Jeremy Fissell**, San Luis Obispo, CA (US); **Nathan Fissell**, North Hollywood, CA (US)

OTHER PUBLICATIONS

(73) Assignee: **FISSELL BROS, INC.**, San Luis Obispo, CA (US)

RGB Disco DJ Stage Light Club Party DMX512 LED Crystal Ball Effect Lighting by penny buying, <http://www.ebay.co.uk/itm/RGB-Disco-DJ-Stage-Light-Club-Party-DMX512-LED-Crystal-Ball-Effect-Lighting-/181909070738> depicting RGB Disco DJ Stage Light Christmas Party DMX512 LED Crystal Ball Effect Lighting, <https://www.youtube.com/watch?v=B56u9pgXmPw>, posted Jul. 4, 2013. 3W RGB Magic Rotating Ball Effect LED Stage Lights KTV Party Club Bar Disco DJ by Saance US, <http://www.ebay.com/itm/3W-RGB-Magic-Rotating-Ball-Effect-Led-Stage-Lights-KTV-Party-Club-Bar-Disco-DJ-/152016069036>, accessed Aug. 8, 2016. Ave LED-Dance Jelly Ball Disco Light by DJ City, <https://djcity.com/au/product/led-dance/>, accessed Aug. 8, 2016.

(**) Term: **15 Years**

(21) Appl. No.: **29/582,006**

(22) Filed: **Oct. 24, 2016**

(51) **LOC (10) Cl.** **26-03**

(52) **U.S. Cl.**
USPC **D26/60**

(58) **Field of Classification Search**
USPC D26/37, 39, 38, 46, 60
CPC F21V 33/00; F21V 14/025; F21V 21/406;
F21Y 2101/02; F21L 17/00; F21L 13/08
See application file for complete search history.

(Continued)

Primary Examiner — Brian N Vinson

(74) *Attorney, Agent, or Firm* — Morgan, Lewis & Bockius LLP; Brett A. Lovejoy

(57) **CLAIM**

An ornamental design for a light, as shown and described.

(56) **References Cited**

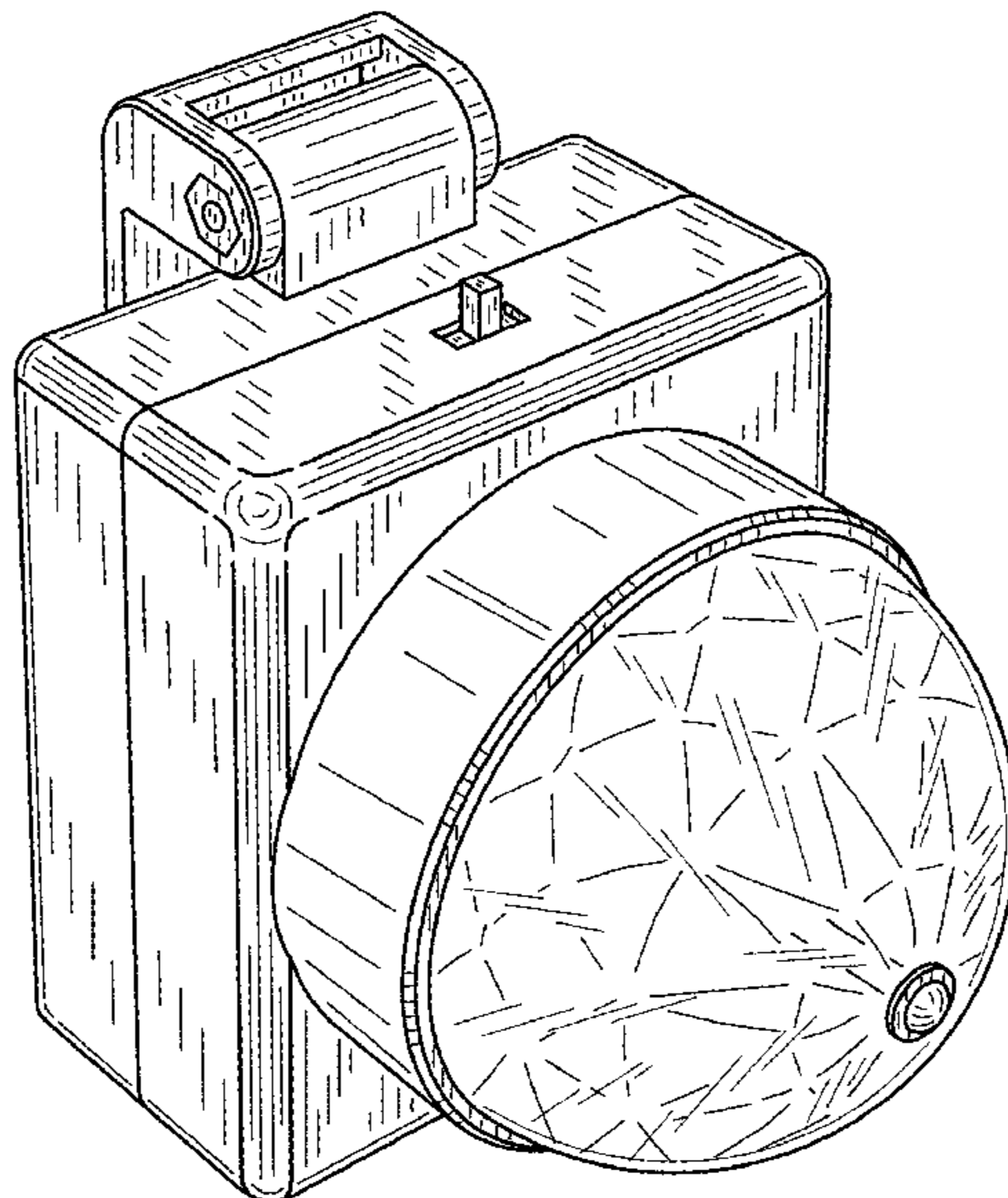
DESCRIPTION

U.S. PATENT DOCUMENTS

D363,803 S *	10/1995	Kelly	D26/60
6,644,834 B2	11/2003	Christen		
7,562,995 B1	7/2009	Levine		
D608,038 S *	1/2010	Chan	D26/60
D633,635 S *	3/2011	Poon	D26/60
8,226,265 B2	7/2012	Czajkowski et al.		
D707,868 S *	6/2014	Lee	D26/39
8,752,974 B2	6/2014	Leibowitz		
D765,296 S *	8/2016	Wei	D26/60
D766,480 S *	9/2016	Bo	D26/60
2007/0097681 A1	5/2007	Chich et al.		
2015/0189704 A1	7/2015	Williams et al.		

FIG. 1 is a front perspective view of a first embodiment of our new design of a light;
FIG. 2 is a rear perspective view thereof;
FIG. 3 is a first side view thereof;
FIG. 4 is a second side view thereof;
FIG. 5 is a front view thereof;
FIG. 6 is a rear view thereof;
FIG. 7 is a top view thereof; and,
FIG. 8 is a bottom view thereof.

1 Claim, 8 Drawing Sheets



(56)

References Cited

OTHER PUBLICATIONS

Velcro LED Pod Light, Remote Controlled Multi Colored, Waterproof by GlowCity LLC, <https://www.amazon.com/Velcro-Remote-Controlled-Colored-Waterproof/dp/B00ZWP3F0A>, accessed Aug. 8, 2016.

* cited by examiner

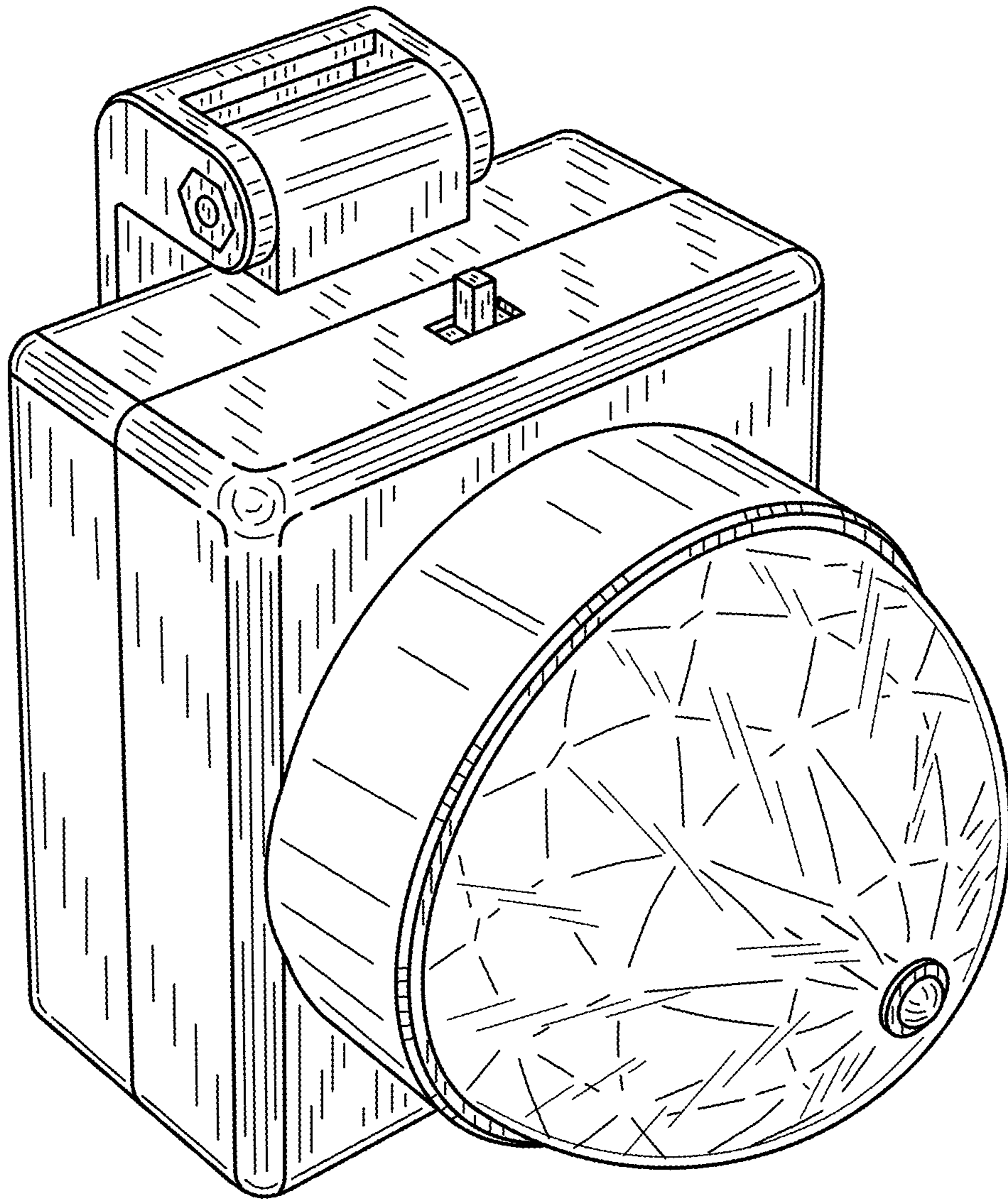


FIG. 1

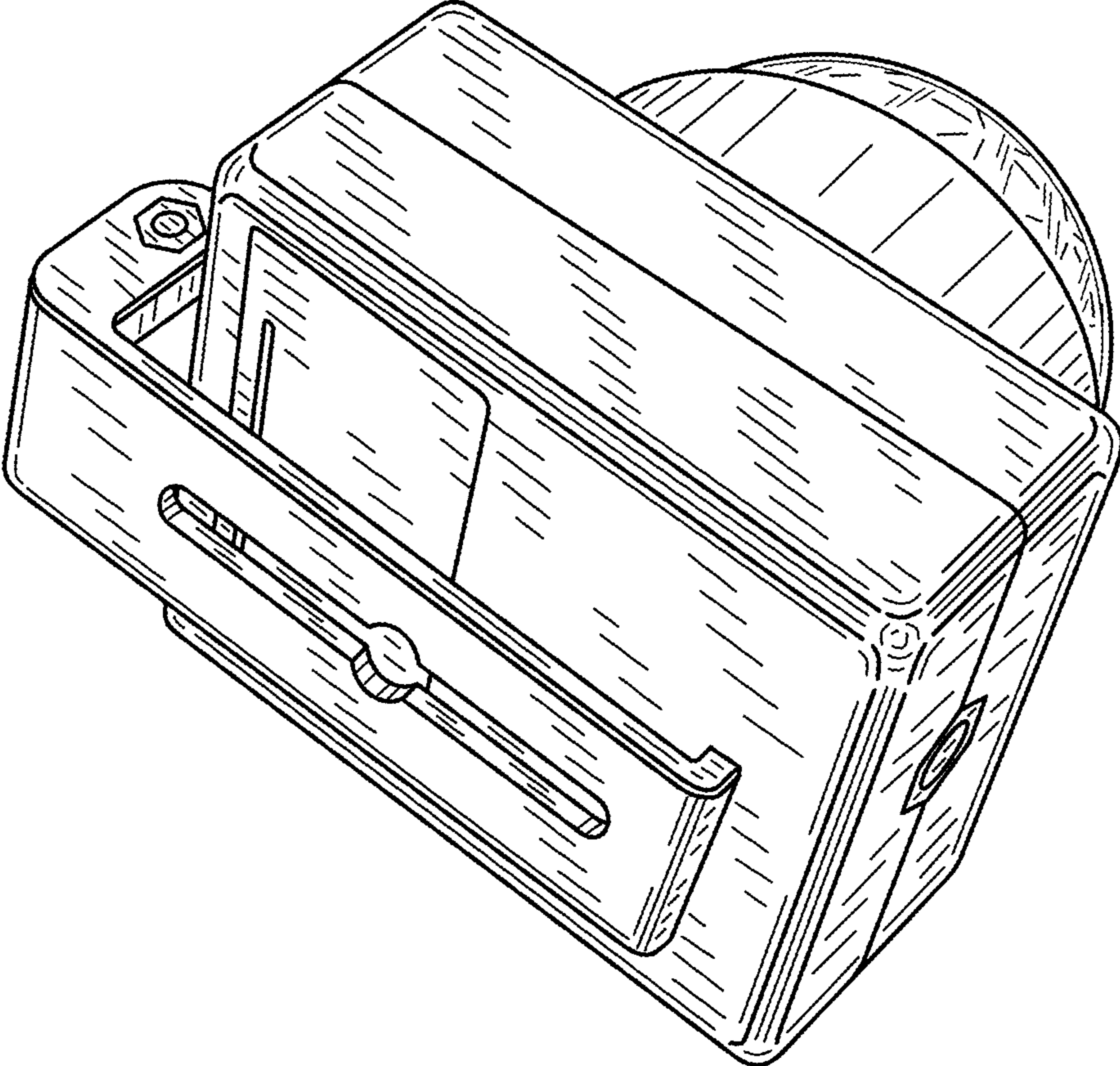


FIG. 2

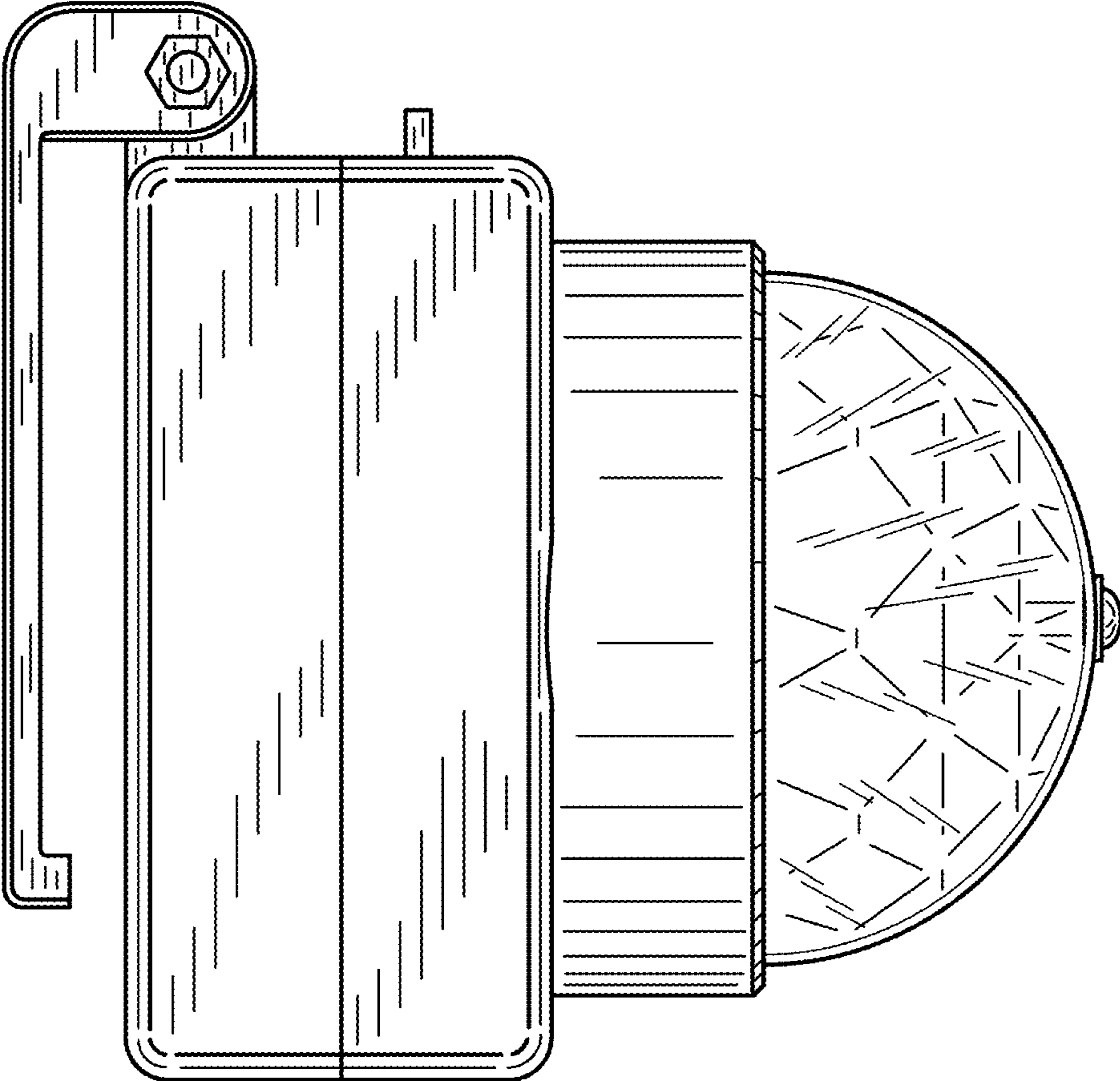


FIG. 3

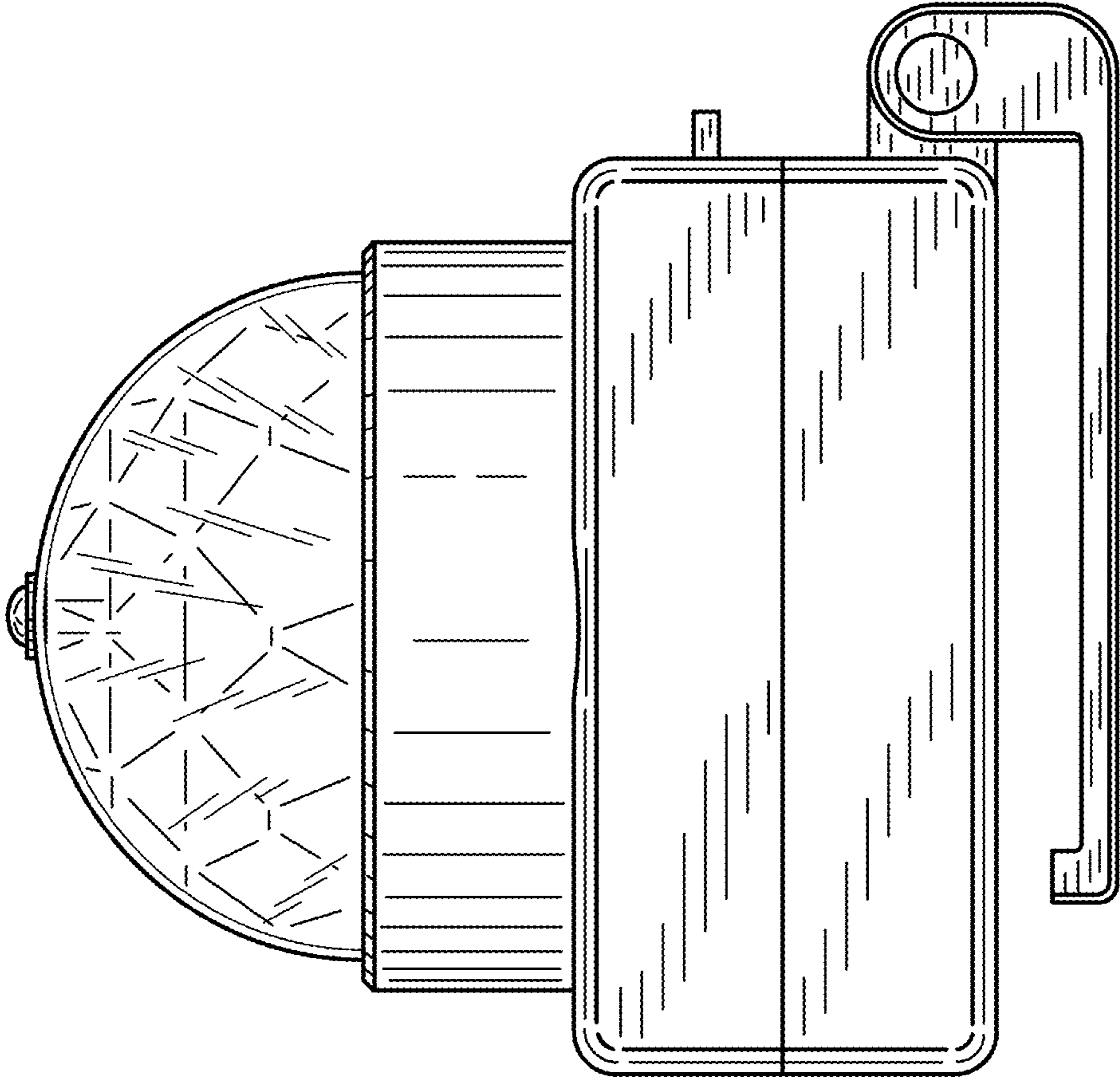


FIG. 4

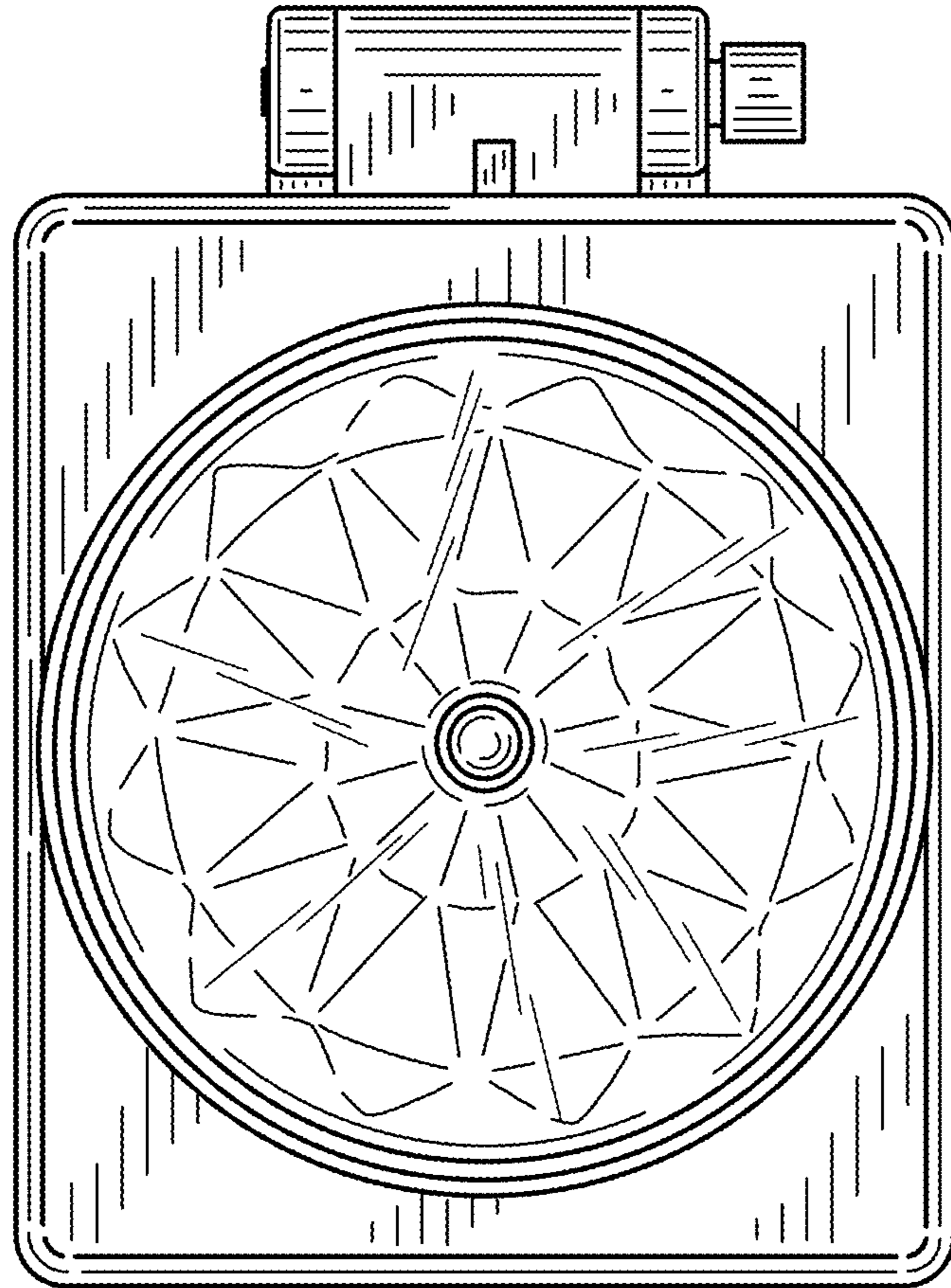


FIG. 5

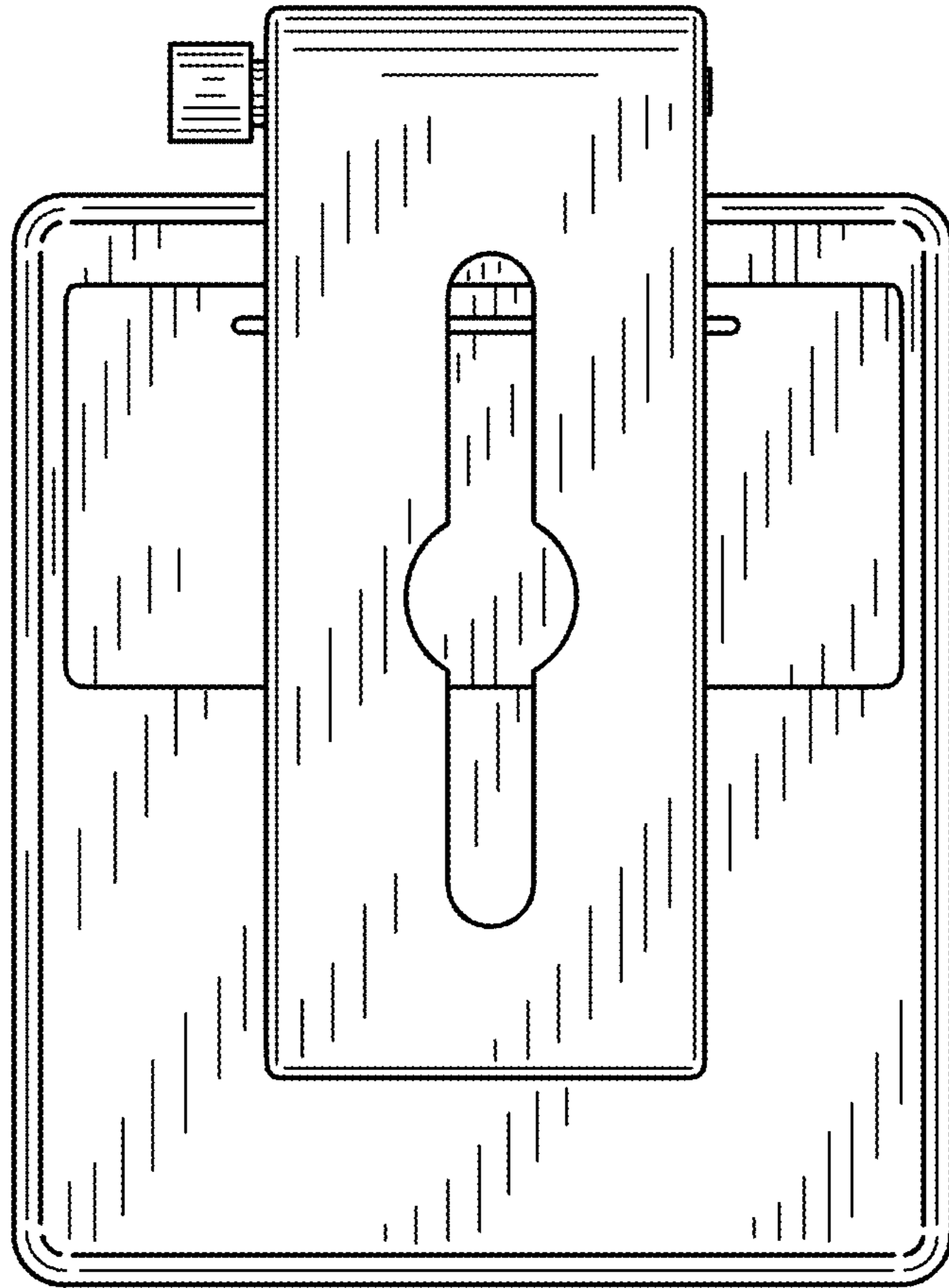


FIG. 6

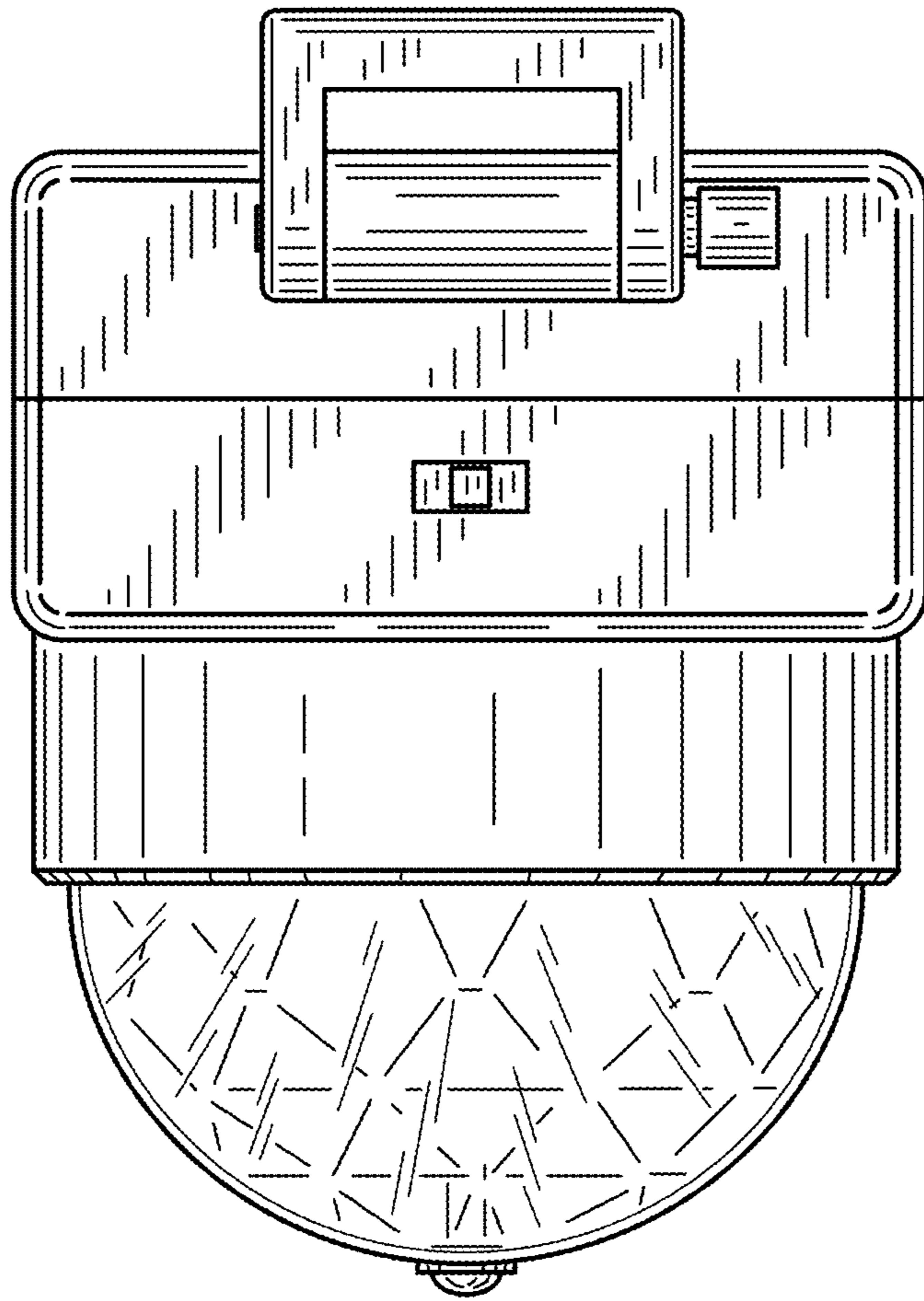


FIG. 7

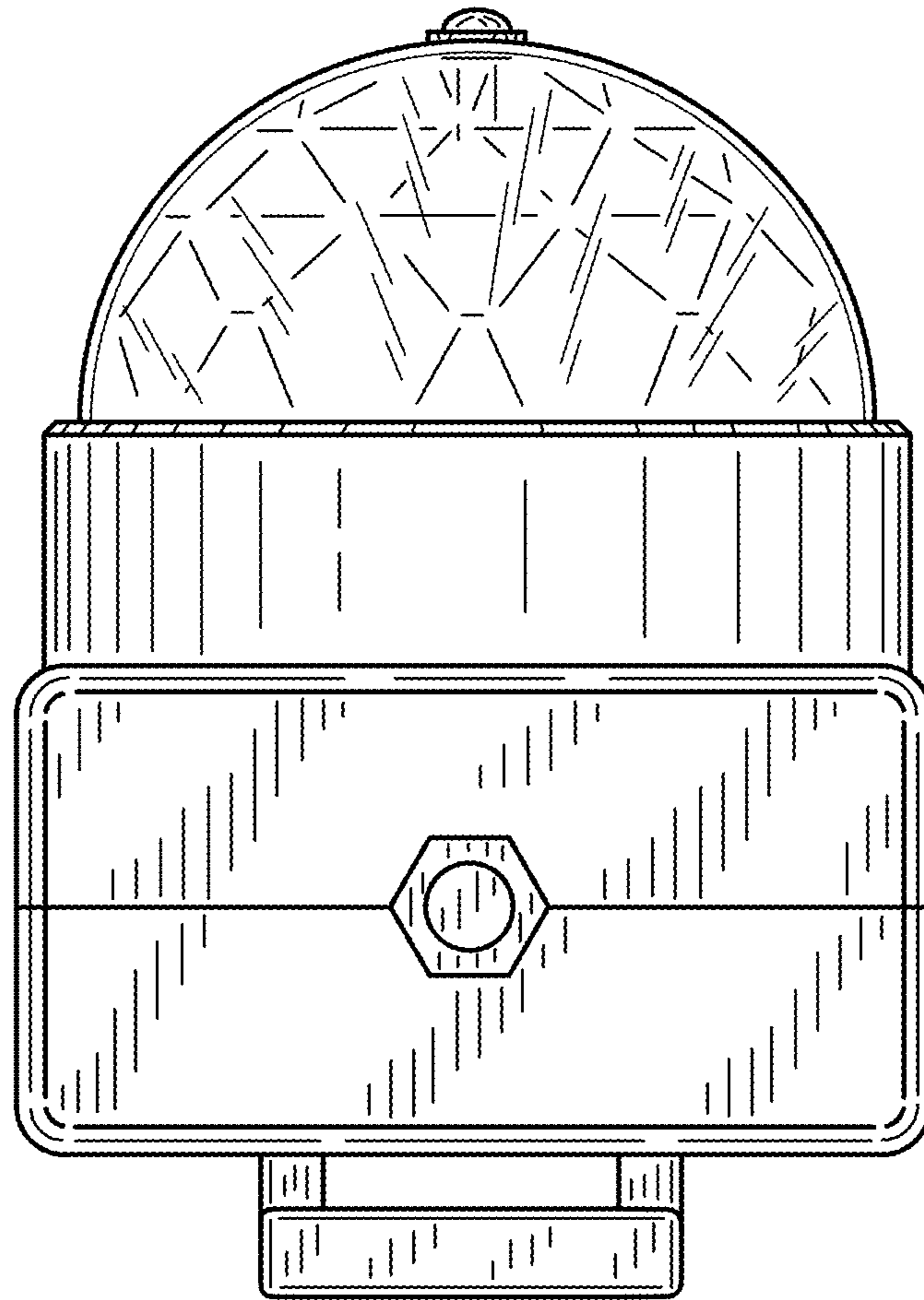


FIG. 8