



US00D795473S

(12) **United States Design Patent** (10) **Patent No.:** **US D795,473 S**  
**Fujiwara et al.** (45) **Date of Patent:** **\*\* Aug. 22, 2017**

(54) **REAR COMBINATION LAMP FOR AN AUTOMOBILE**

(71) Applicant: **Nissan Motor Co., Ltd.**, Yokohama, Kanagawa (JP)

(72) Inventors: **Masahide Fujiwara**, Kanagawa (JP); **En Hung Liu**, Beijing (CN)

(73) Assignee: **Nissan Motor Co., Ltd.**, Yokohama (JP)

(\*\*) Term: **15 Years**

(21) Appl. No.: **29/563,168**

(22) Filed: **May 3, 2016**

(30) **Foreign Application Priority Data**

Nov. 4, 2015 (JP) ..... 2015-024569

(51) **LOC (10) Cl.** ..... **26-06**

(52) **U.S. Cl.**  
USPC ..... **D26/28**

(58) **Field of Classification Search**  
USPC ..... D26/28–36; 362/80–83, 267–269, 362/459–468, 475–478, 485–487  
(Continued)

(56) **References Cited**

**U.S. PATENT DOCUMENTS**

D552,769 S \* 10/2007 Leclercq ..... D26/28  
D670,842 S 11/2012 Fuchigami et al.  
(Continued)

**FOREIGN PATENT DOCUMENTS**

JP D1485582 S 12/2013  
JP D1485752 S 12/2013  
(Continued)

*Primary Examiner* — Marcus Jackson  
(74) *Attorney, Agent, or Firm* — Global IP Counselors, LLP

(57) **CLAIM**

The ornamental design for a rear combination lamp for an automobile, as shown and described.

**DESCRIPTION**

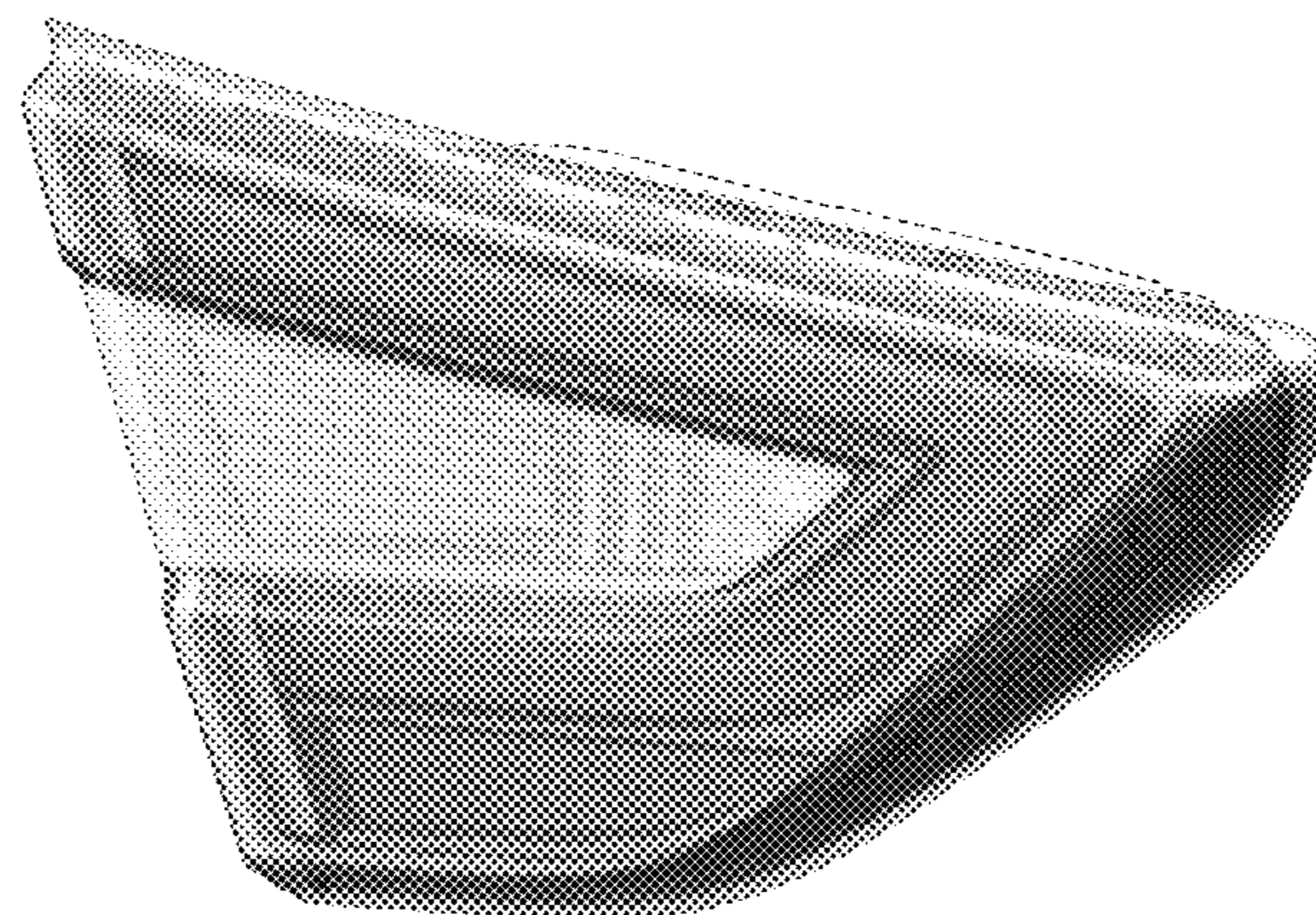
FIG. 1 is a front elevational view of a rear combination lamp for an automobile in accordance with a first embodiment of our new design;  
FIG. 2 is a rear elevational view of the rear combination lamp in accordance with the first embodiment of our new design of FIG. 1;  
FIG. 3 is a top plan view of the rear combination lamp in accordance with the first embodiment of our new design of FIGS. 1 and 2;  
FIG. 4 is a bottom plan view of the rear combination lamp in accordance with the first embodiment of our new design of FIGS. 1 to 3;  
FIG. 5 is a right side elevational view of the rear combination lamp in accordance with the first embodiment of our new design of FIGS. 1 to 4;  
FIG. 6 is a left side elevational view of the rear combination lamp in accordance with the first embodiment of our new design of FIGS. 1 to 5; and,  
FIG. 7 is a front side perspective view of the rear combination lamp in accordance with the first embodiment of our new design of FIGS. 1 to 6.

The rear elevational view of FIG. 2 forms no part of the claimed design. In addition, the rear combination lamp is configured to be mounted to an automobile. The mounting structure and support structure of the rear combination lamp, visible in FIGS. 2 to 7, form no part of the claimed design since the mounting structure and support structure are hidden when the rear combination lamp is mounted to the automobile.

In addition, the appearance of the rear side structures and inside side structures of the rear combination lamp as seen in FIGS. 2 to 7 is for purpose of illustrating the boundaries of the exterior surface of the outside of the rear combination lamp, and forms no part of the claimed design.

A second embodiment of our new design is identical to the first embodiment except that the second embodiment of our

(Continued)



new design includes the mirror image of the rear combination lamp shown in FIGS. 1 to 7.

**1 Claim, 7 Drawing Sheets**

**(58) Field of Classification Search**

CPC ..... F21S 48/00; F21S 48/10; F21S 48/115;  
F21S 48/225; F21S 48/1233; F21S  
48/1266; F21S 48/1388; F21S 48/2268;  
F21V 21/04

See application file for complete search history.

**(56) References Cited**

U.S. PATENT DOCUMENTS

|          |     |         |                   |        |
|----------|-----|---------|-------------------|--------|
| D680,249 | S   | 4/2013  | Iwai et al.       |        |
| D684,715 | S   | 6/2013  | Cogswell          |        |
| D686,358 | S * | 7/2013  | Morgenstern ..... | D26/28 |
| D696,445 | S   | 12/2013 | Ishizuka et al.   |        |
| D701,983 | S * | 4/2014  | Kong .....        | D26/28 |
| D710,524 | S   | 8/2014  | Hirabayashi       |        |
| D728,132 | S * | 4/2015  | Bieling .....     | D26/28 |
| D739,583 | S * | 9/2015  | Forsgren .....    | D26/28 |
| D743,063 | S * | 11/2015 | Park .....        | D26/28 |
| D748,303 | S * | 1/2016  | Sato .....        | D26/28 |
| D752,783 | S   | 3/2016  | Whang et al.      |        |

FOREIGN PATENT DOCUMENTS

|    |          |   |         |
|----|----------|---|---------|
| JP | D1486679 | S | 12/2013 |
| JP | D1500453 | S | 6/2014  |
| JP | D1491259 | S | 2/2015  |
| JP | D1501254 | S | 6/2015  |
| JP | D1517398 | S | 2/2016  |

\* cited by examiner

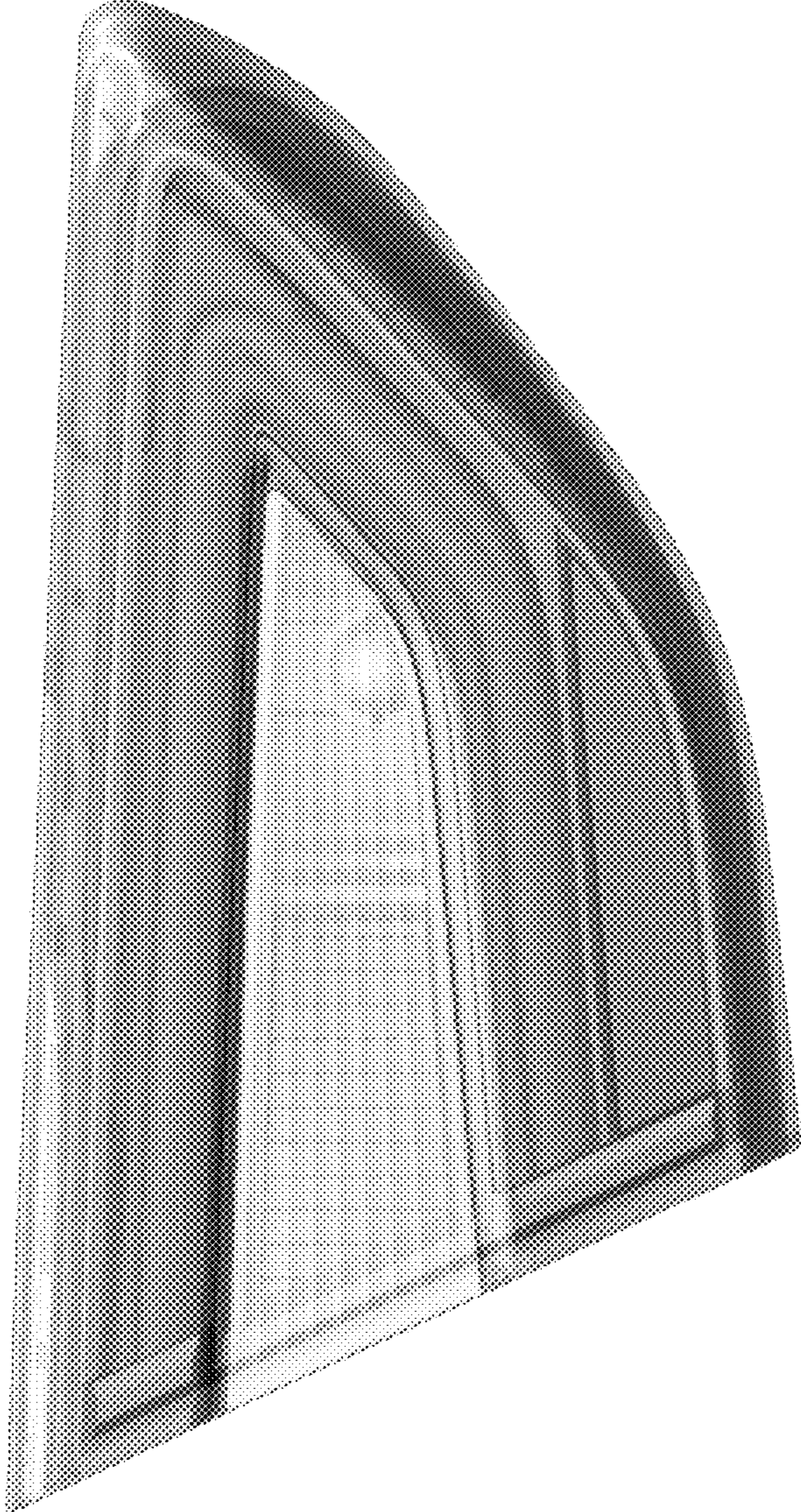


FIG. 1

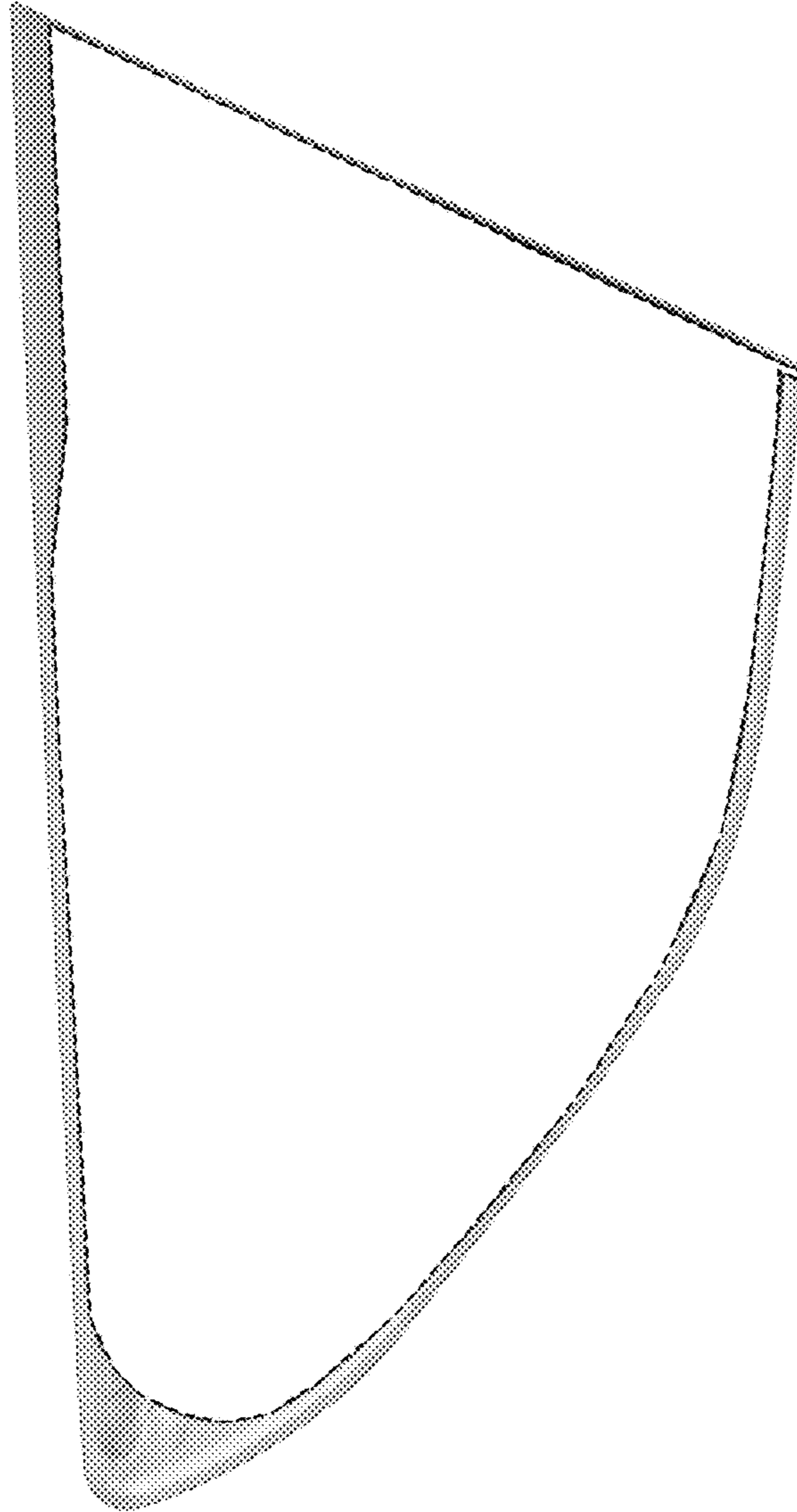


FIG. 2

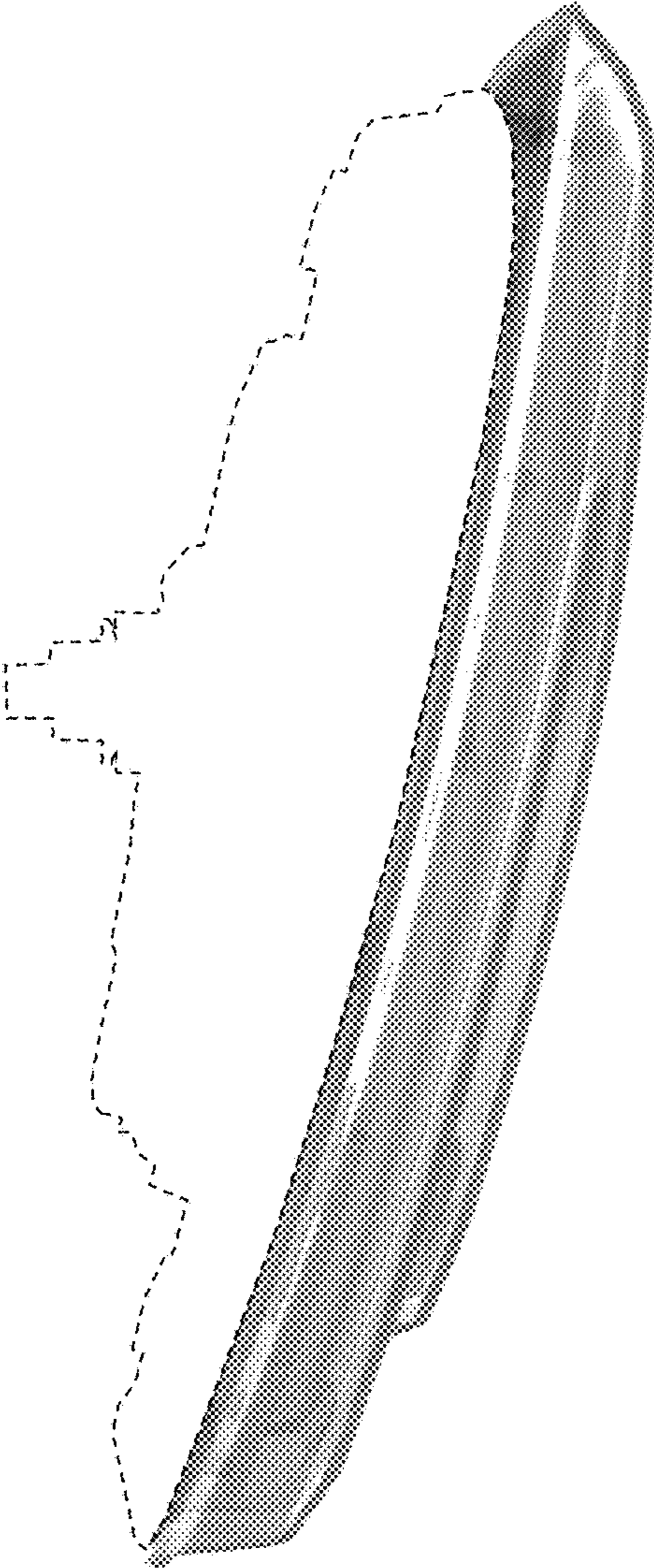


FIG. 3

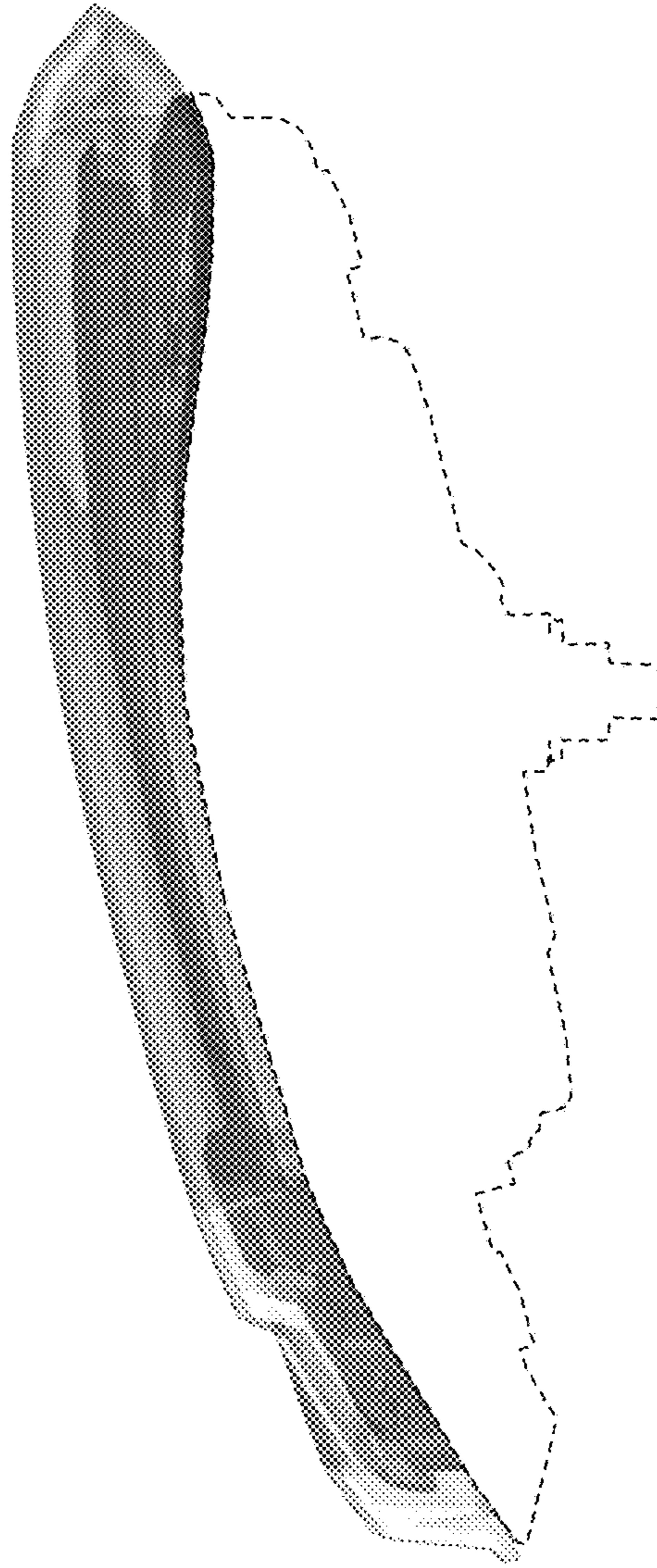


FIG. 4

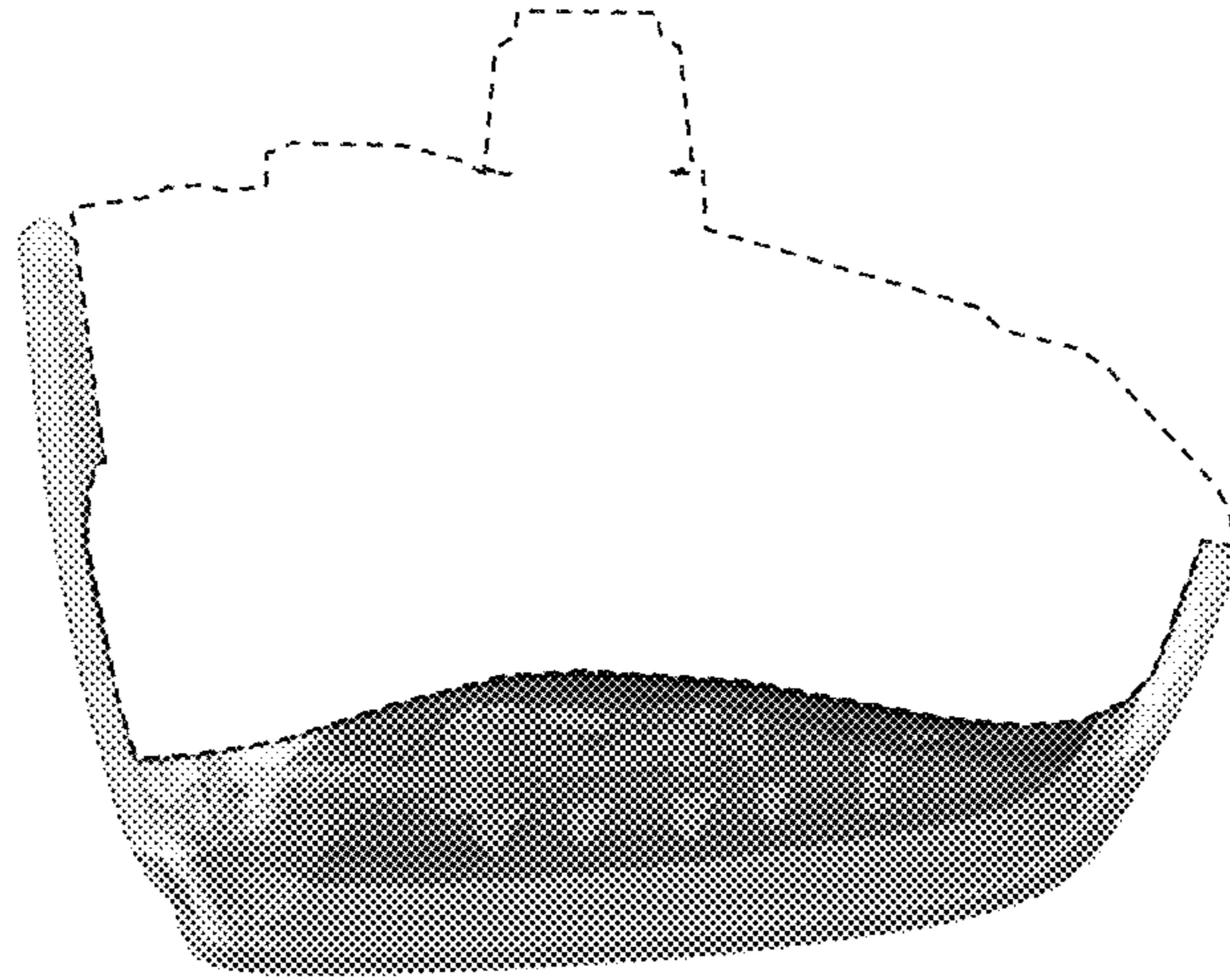


FIG. 5

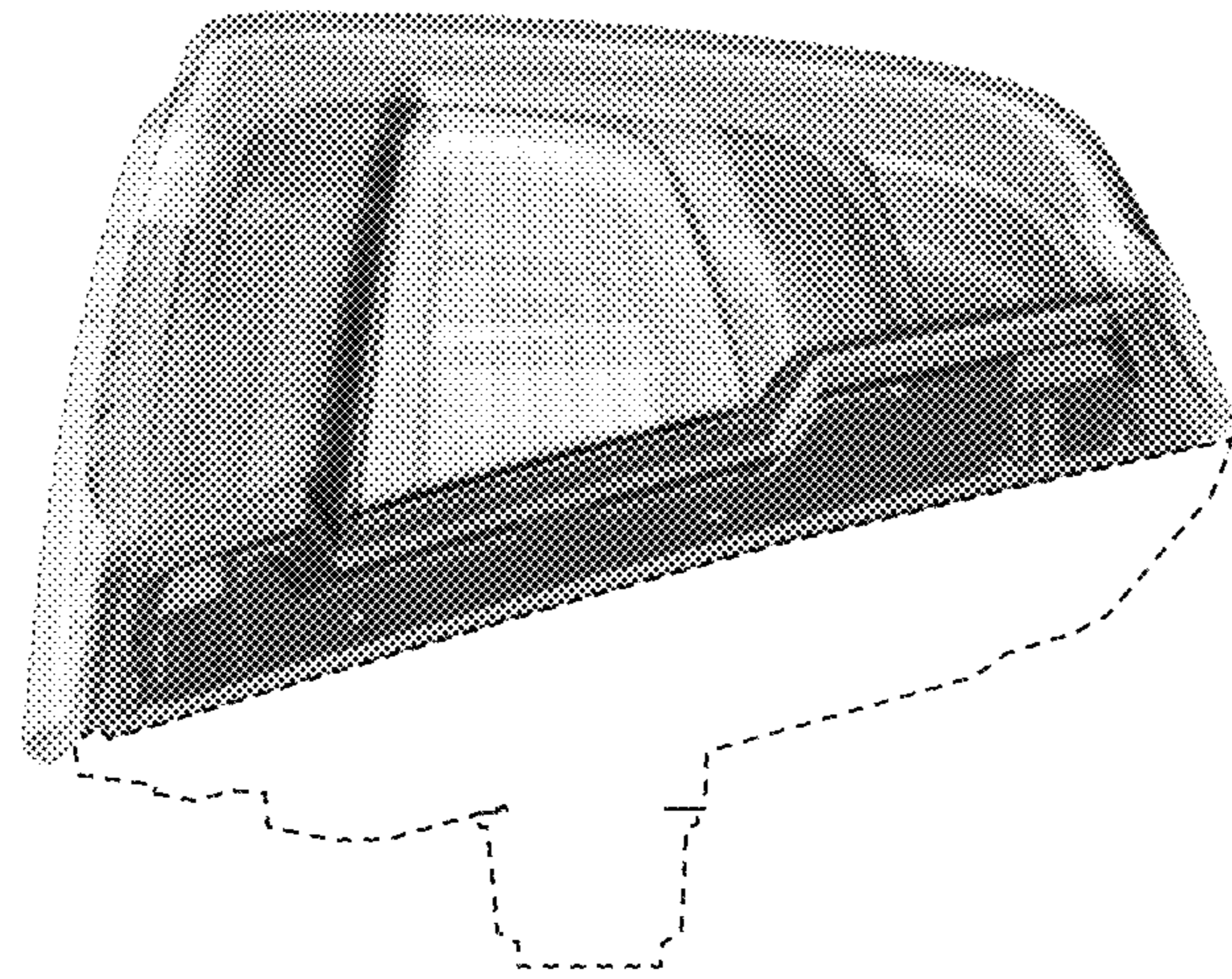


FIG. 6



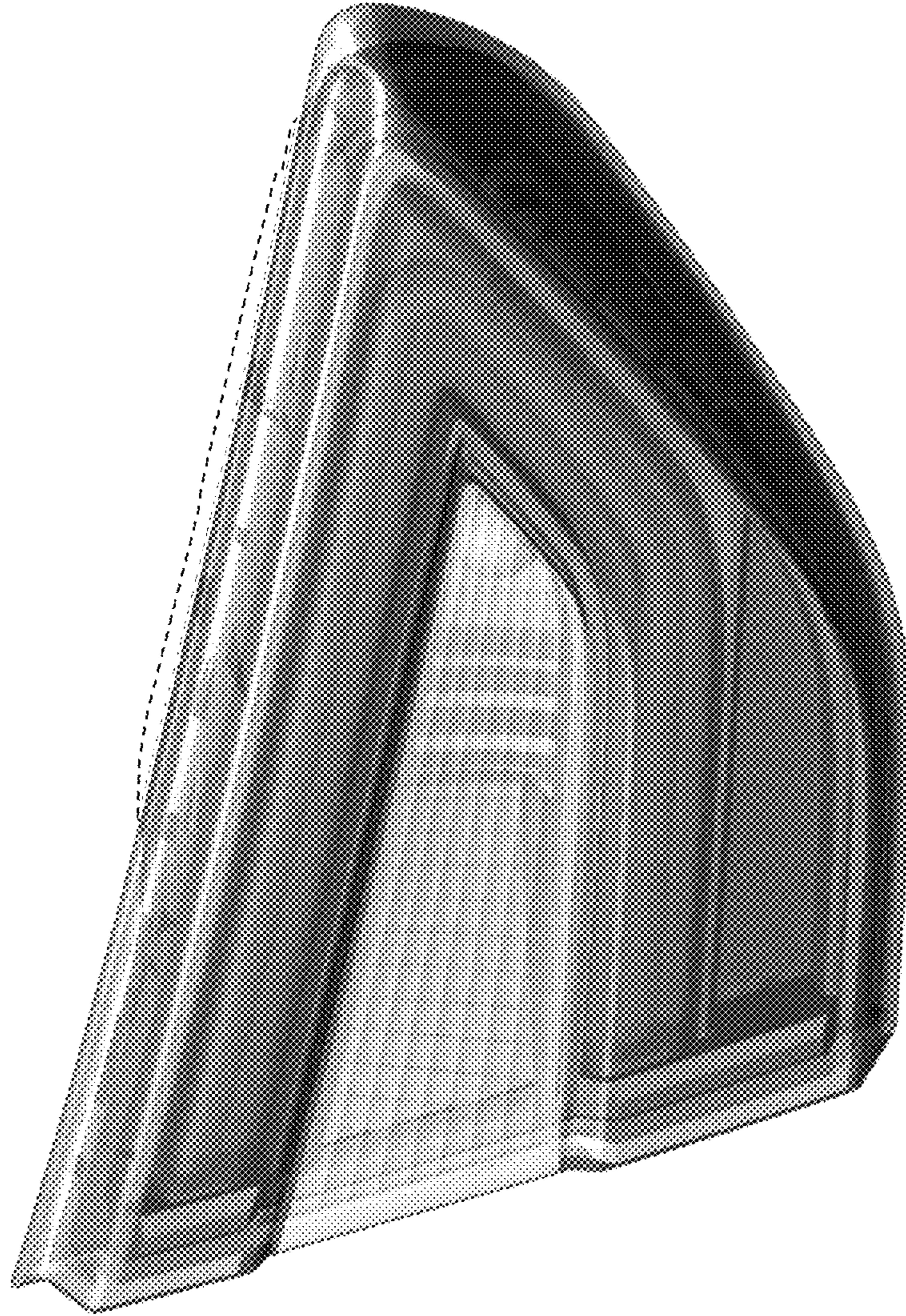


FIG. 7