



US00D795472S

(12) **United States Design Patent** (10) **Patent No.:** **US D795,472 S**
Leutiger (45) **Date of Patent:** **** Aug. 22, 2017**

(54) **TAILLIGHT ASSEMBLY FOR A MOTOR VEHICLE**

(71) Applicant: **Dr. Ing. h.c. F. Porsche Aktiengesellschaft, Stuttgart (DE)**
(72) Inventor: **Burkhard Leutiger, Pforzheim (DE)**
(73) Assignee: **Dr. Ing. h.c. F. Porsche Aktiengesellschaft, Stuttgart (DE)**

(**) Term: **15 Years**

(21) Appl. No.: **29/551,118**

(22) Filed: **Jan. 11, 2016**

Related U.S. Application Data

(63) Continuation of application No. 29/502,167, filed on Sep. 12, 2014, now abandoned.

Foreign Application Priority Data

Mar. 14, 2014 (DE) 40 2014 100 257

(51) **LOC (10) Cl.** **26-06**

(52) **U.S. Cl.**
USPC **D26/28**

(58) **Field of Classification Search**
USPC D26/28-36; 362/80-83, 267-269, 362/459-468, 475-478, 485-487
CPC F21S 48/00; F21S 48/10; F21S 48/115; F21S 48/225; F21S 48/1233; F21S 48/1266; F21S 48/1388; F21S 48/2268; F21V 21/04

See application file for complete search history.

(56) **References Cited**

U.S. PATENT DOCUMENTS

D447,825 S *	9/2001	Lee	D26/28
D472,986 S *	4/2003	Kim	D26/28
D544,112 S *	6/2007	Moore	D26/28
D656,257 S	3/2012	Larson		
D672,066 S	12/2012	Saracoglu		
D672,068 S	12/2012	Robinson		
D674,933 S	1/2013	Varga		
D685,935 S	7/2013	Redlich		
D712,573 S	9/2014	Borkert		

OTHER PUBLICATIONS

Entire patent prosecution history of U.S. Appl. No. 29/502,167, filed Sep. 12, 2014, entitled "Tailgate Assembly for Motor Vehicle".

* cited by examiner

Primary Examiner — Marcus Jackson

(74) *Attorney, Agent, or Firm* — RatnerPrestia

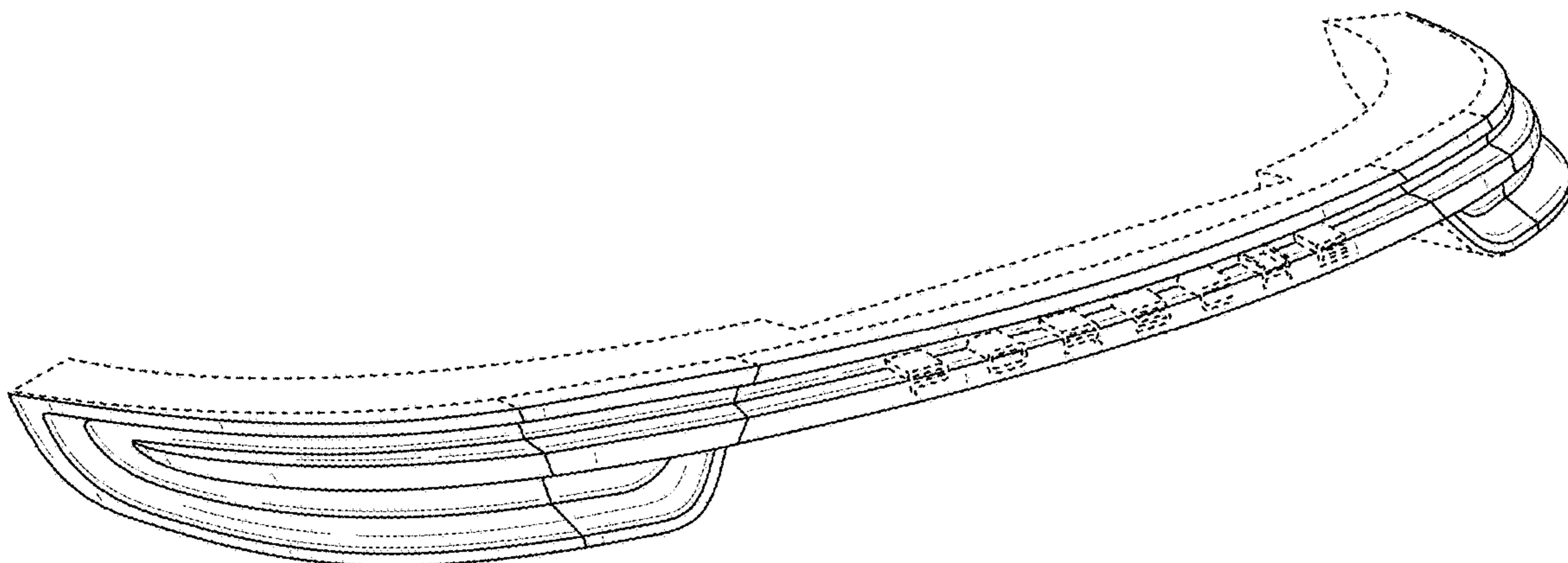
(57) **CLAIM**

The ornamental design for a taillight assembly for a motor vehicle, as shown and described.

DESCRIPTION

FIG. 1 is a perspective view of a taillight assembly for a motor vehicle;
FIG. 2 is a rear elevation view thereof;
FIG. 3 is a front elevation view thereof;
FIG. 4 is an elevation view thereof from the right side;
FIG. 5 is an elevation view thereof from the left side;
FIG. 6 is a top plan view thereof; and,
FIG. 7 is a bottom plan view thereof.

1 Claim, 7 Drawing Sheets



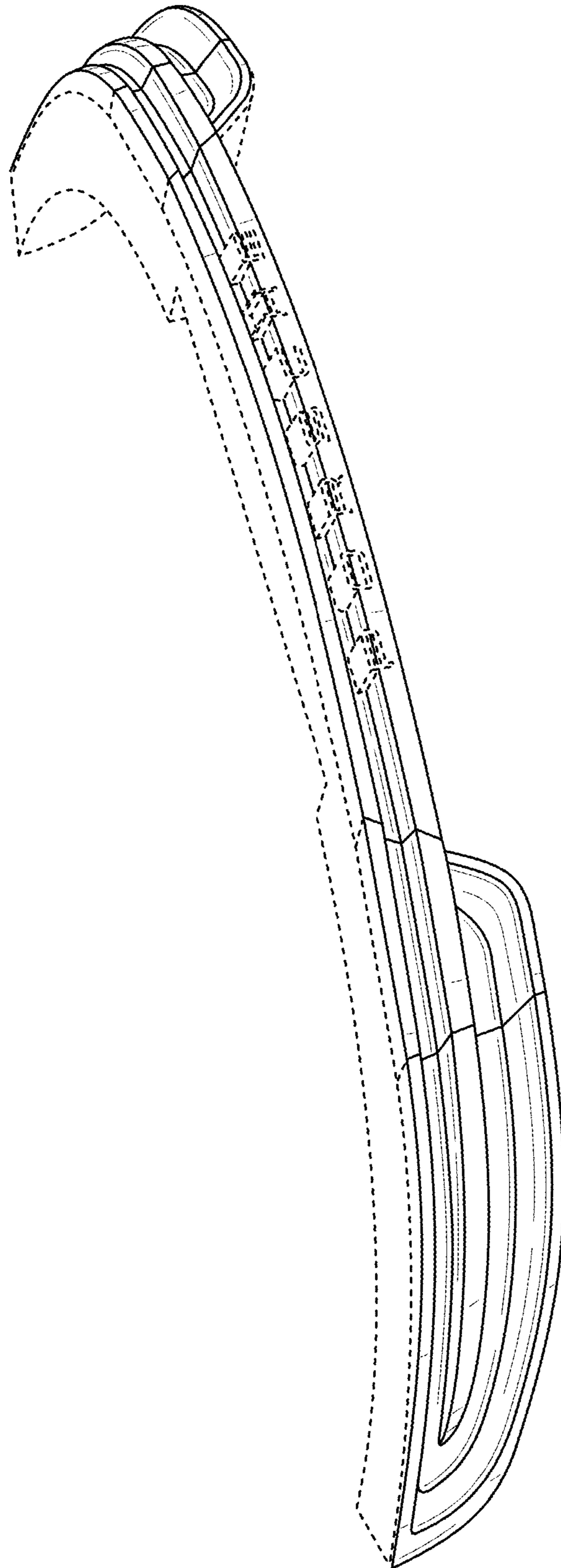


FIG. 1

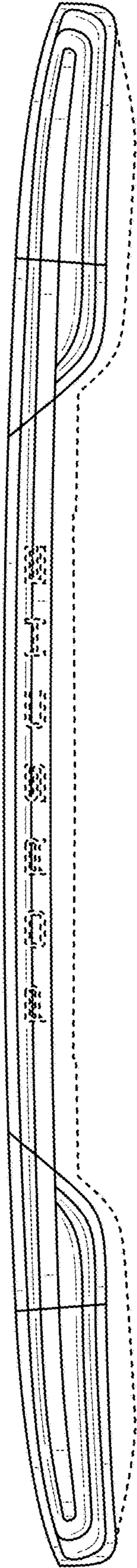


FIG. 2

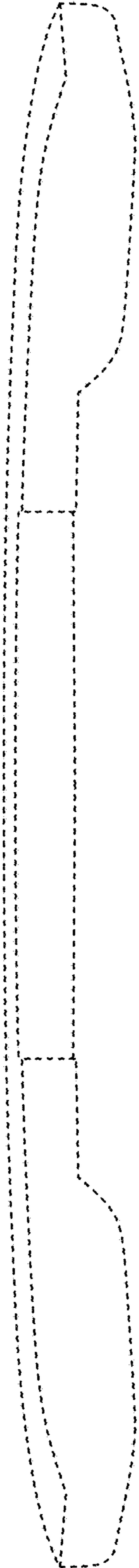


FIG. 3

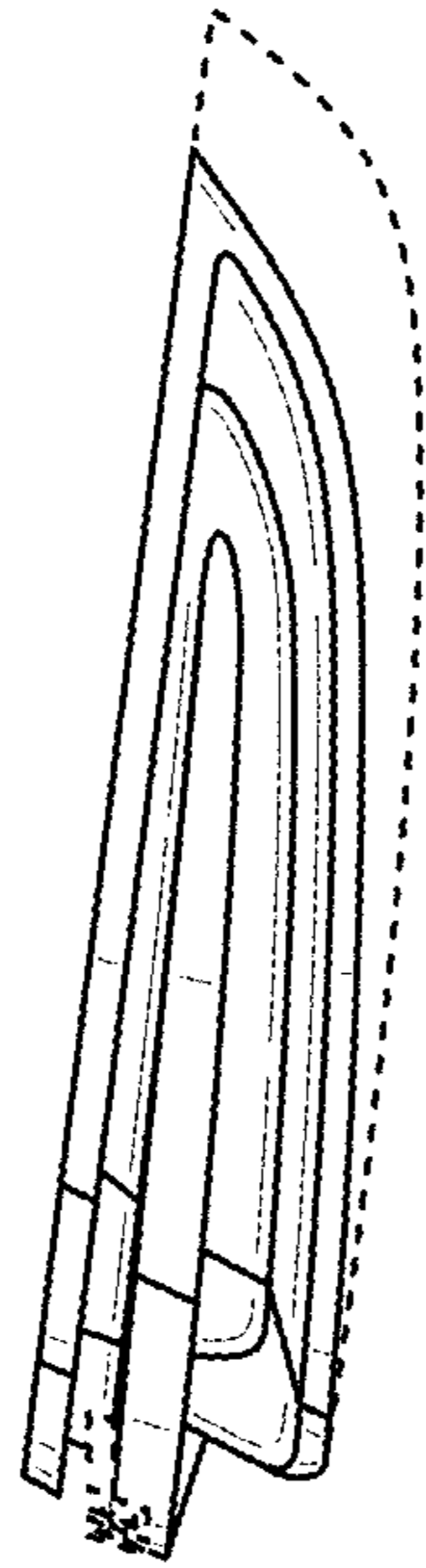


FIG. 4

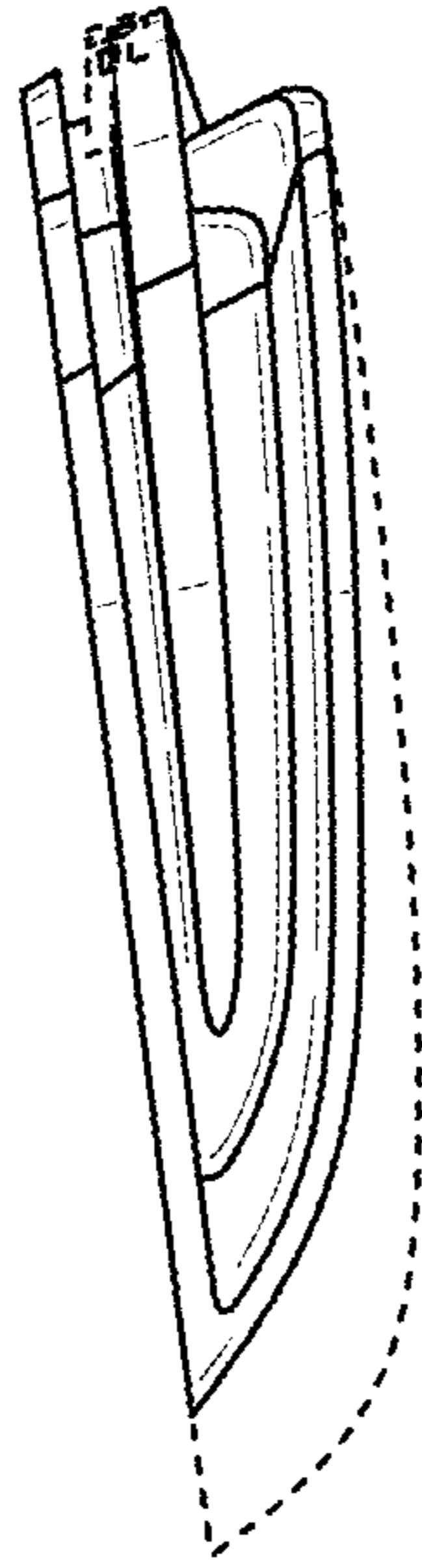


FIG. 5

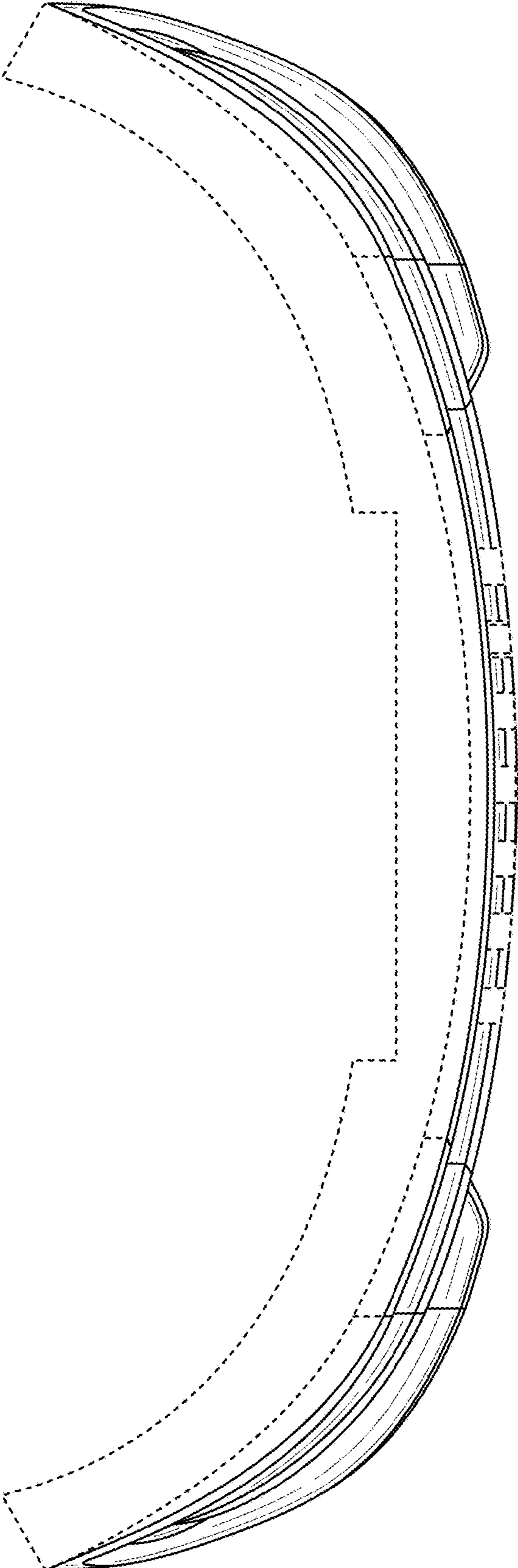


FIG. 6

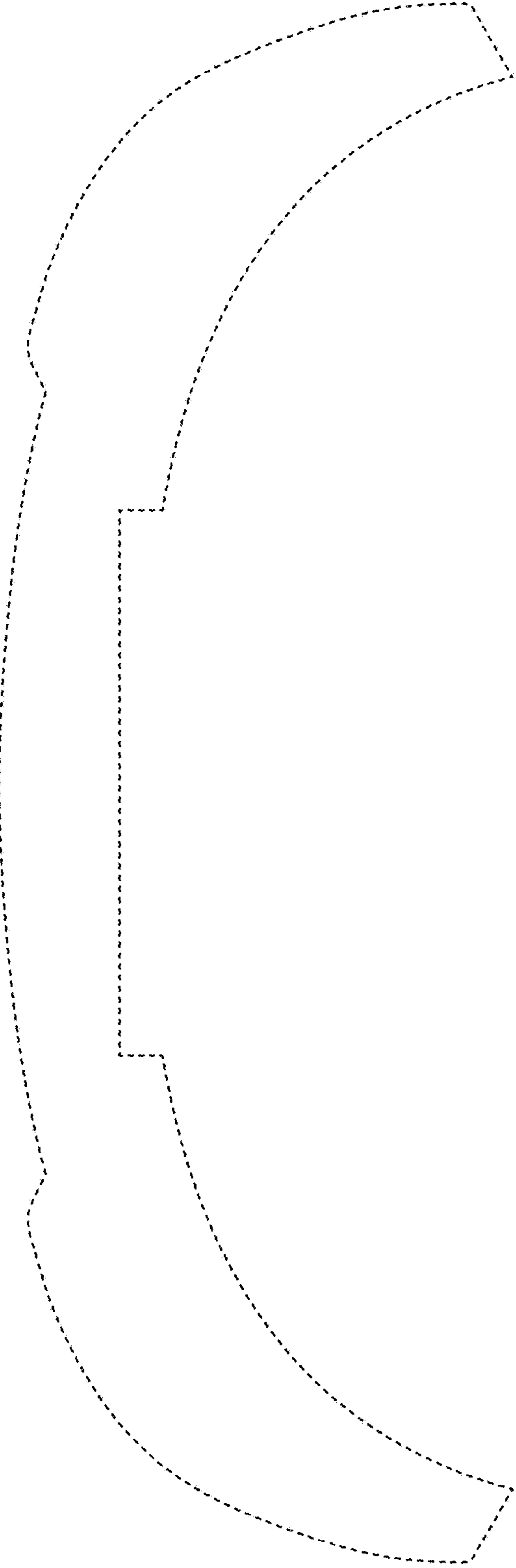


FIG. 7