



US00D795468S

(12) **United States Design Patent** (10) **Patent No.:** **US D795,468 S**
Kamil (45) **Date of Patent:** **** *Aug. 22, 2017**

(54) **ROOF TILE**
(71) Applicant: **Onduline SA**, Levalloix Peret (FR)
(72) Inventor: **Melih Kamil**, Istanbul (TR)
(73) Assignee: **Onduline SA**, Levalloix Peret (FR)
(*) Notice: This patent is subject to a terminal disclaimer.
(**) Term: **14 Years**

(21) Appl. No.: **29/496,405**
(22) Filed: **Jul. 11, 2014**

(30) **Foreign Application Priority Data**
May 21, 2014 (EP) 002468389-0008
(51) **LOC (10) Cl.** **25-01**
(52) **U.S. Cl.**
USPC **D25/141**
(58) **Field of Classification Search**
USPC D25/139, 141, 143, 144
CPC E04D 1/00; E04D 1/28; E04D 2001/005;
E04D 2001/3491; E04D 1/26; E04D
7/005; E04D 3/00; E04D 3/02; E04D
1/04; E04D 1/06; E04D 1/08; E04D 1/12;
E04D 1/24; E04D 2001/3497; E04D
1/265; E04D 1/16; E04D 1/18; E04D
1/30; E04D 3/35; E04D 3/24; E04D 3/26;
E04D 3/357; E04D 13/1643; E04D
13/1656
See application file for complete search history.

(56) **References Cited**
U.S. PATENT DOCUMENTS
365,042 A * 6/1887 Battelle E04D 1/26
52/420
1,634,126 A * 6/1927 Tyra E04D 1/06
52/521

1,648,081 A * 11/1927 Tyra E04D 1/06
52/521
2,037,297 A * 4/1936 Yeager E04D 1/28
162/116
3,520,100 A * 7/1970 Webb E04D 3/24
52/534
4,567,084 A * 1/1986 Juei Jse E04D 3/35
106/286.6
D519,219 S * 4/2006 Dodge D25/143
D613,429 S * 4/2010 Knepp D25/141
D641,894 S * 7/2011 Bragg D25/141
D710,036 S * 7/2014 Wakebe D25/141
(Continued)

OTHER PUBLICATIONS

Onduvilla Roofing (on-line), dated Jan. 24, 2015. Retrieved from Internet May 5, 2017, URL: <https://web.archive.org/web/20150124063441/http://www.cintsathatching.co.za/onduvilla-roofing.html> (3 pages).*

(Continued)

Primary Examiner — Vy Koenig
Assistant Examiner — Kimberly Barnes
(74) *Attorney, Agent, or Firm* — Locke Lord LLP

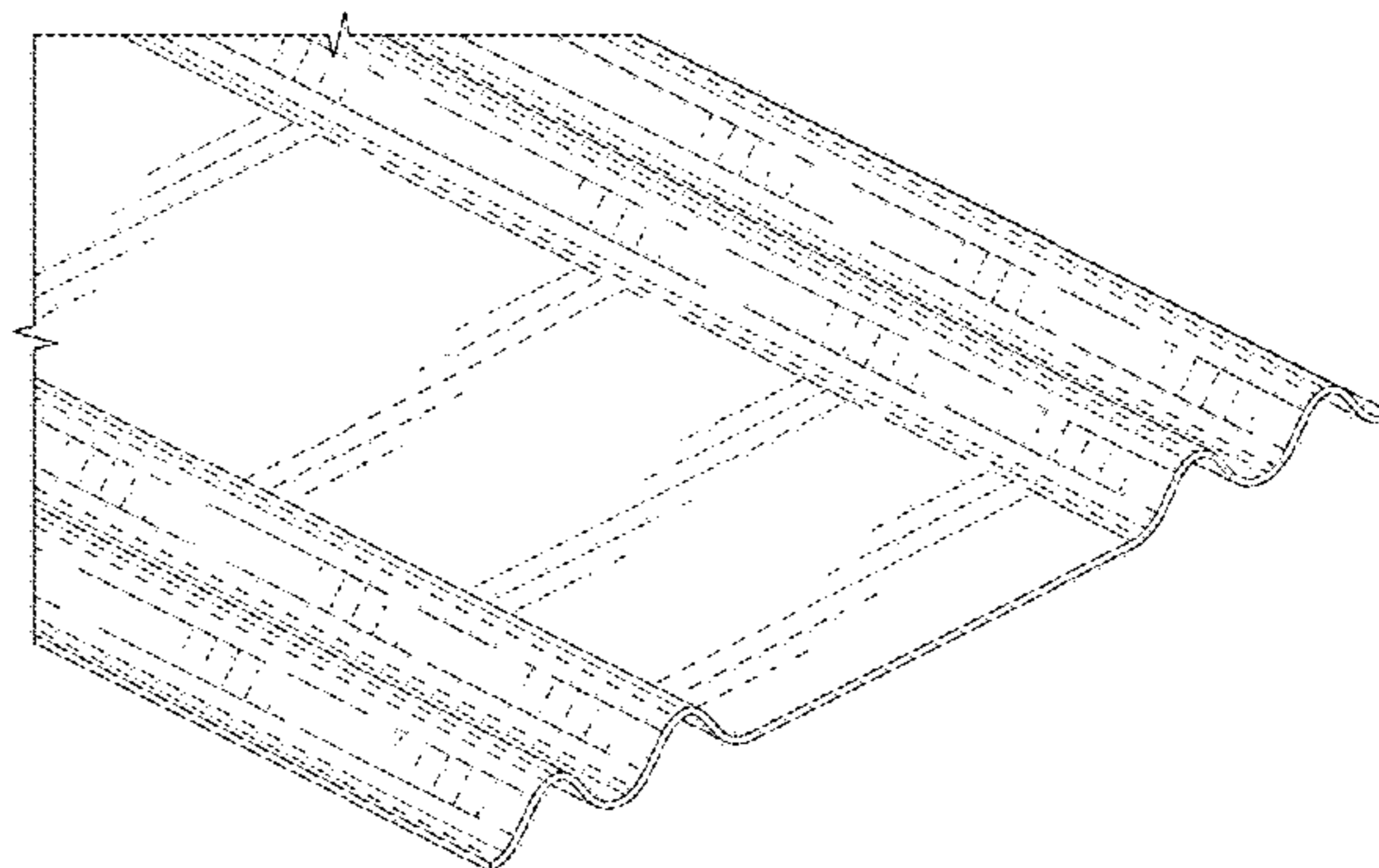
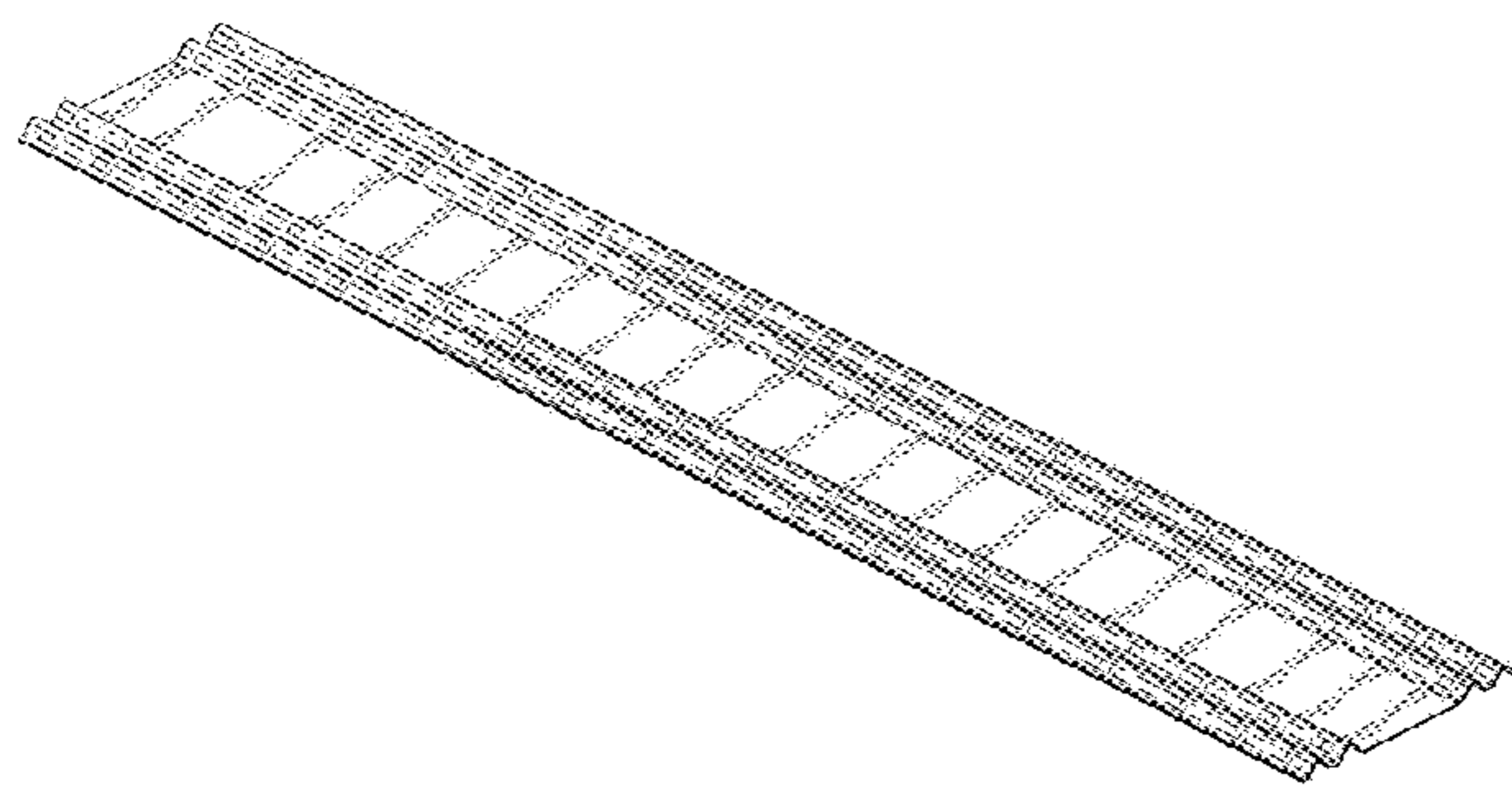
(57) **CLAIM**

The ornamental design for a roof tile, as shown and described.

DESCRIPTION

FIG. 1 is a top perspective view of the roof tile.
FIG. 2 is a bottom perspective view of the roof tile.
FIG. 3 is a front elevation view of the roof tile.
FIG. 4 is a rear elevation view of the roof tile.
FIG. 5 is a right side elevation view of the roof tile.
FIG. 6 is a left side elevation view of the roof tile.
FIG. 7 is a top plan view of the roof tile.
FIG. 8 is a bottom plan view of the roof tile; and,
FIG. 9 is an enlarged view of a forward edge of the roof tile.

1 Claim, 7 Drawing Sheets



(56)

References Cited

U.S. PATENT DOCUMENTS

2008/0000174 A1* 1/2008 Flaherty E04D 1/08
52/173.3

OTHER PUBLICATIONS

OnduVilla Red Tile Effect Corrugated Roof Sheet (on-line), dated Feb. 2, 2015. Retrieved from Internet May 5, 2017, URL: <https://web.archive.org/web/20150202082038/http://www.ebay.co.uk:80/itm/OnduVilla-Red-Tile-Effect-Corrugated-Roof-Sheet-1-06m-/270697269655> (1 page).*

* cited by examiner

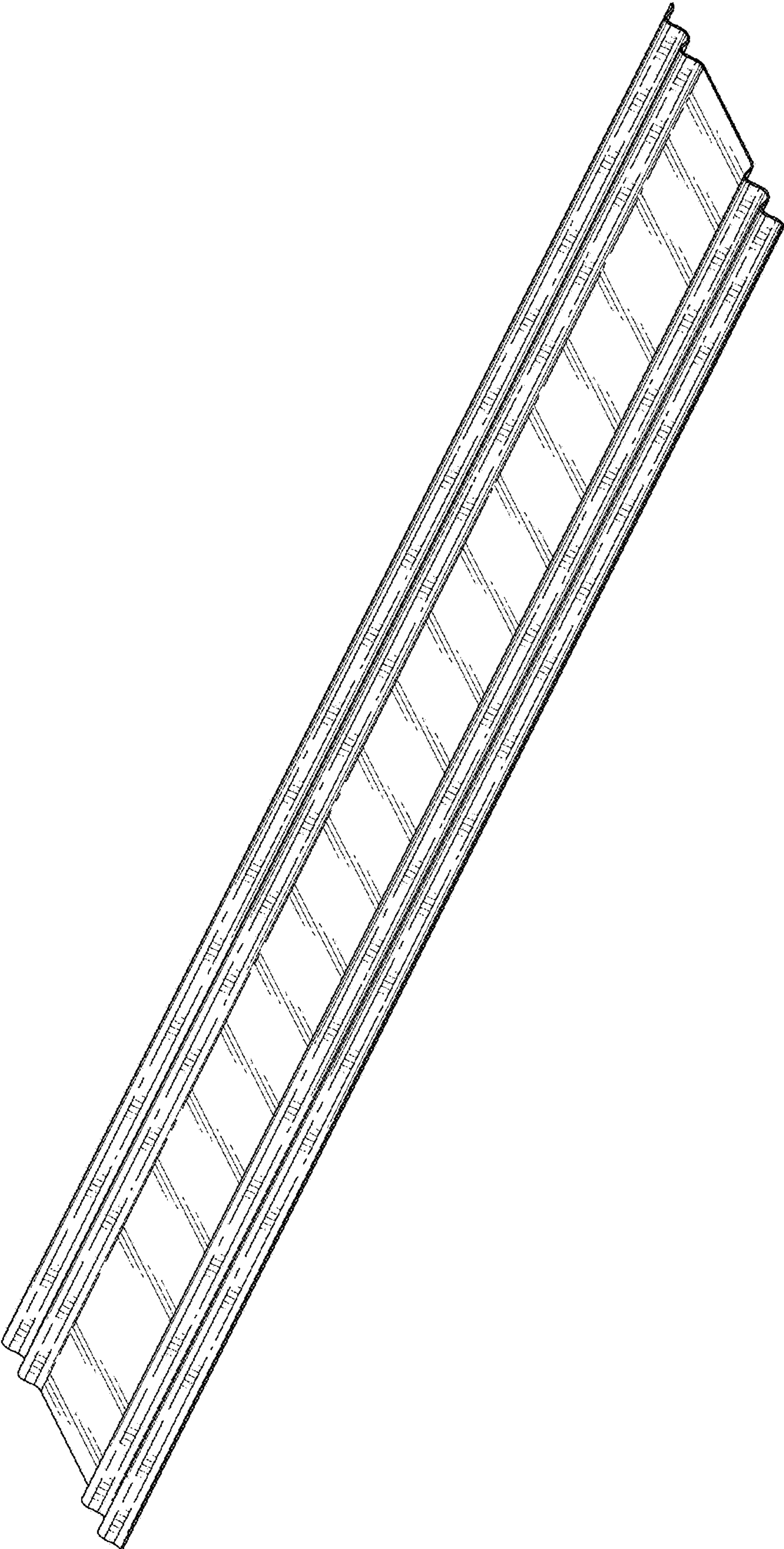


FIG. 1

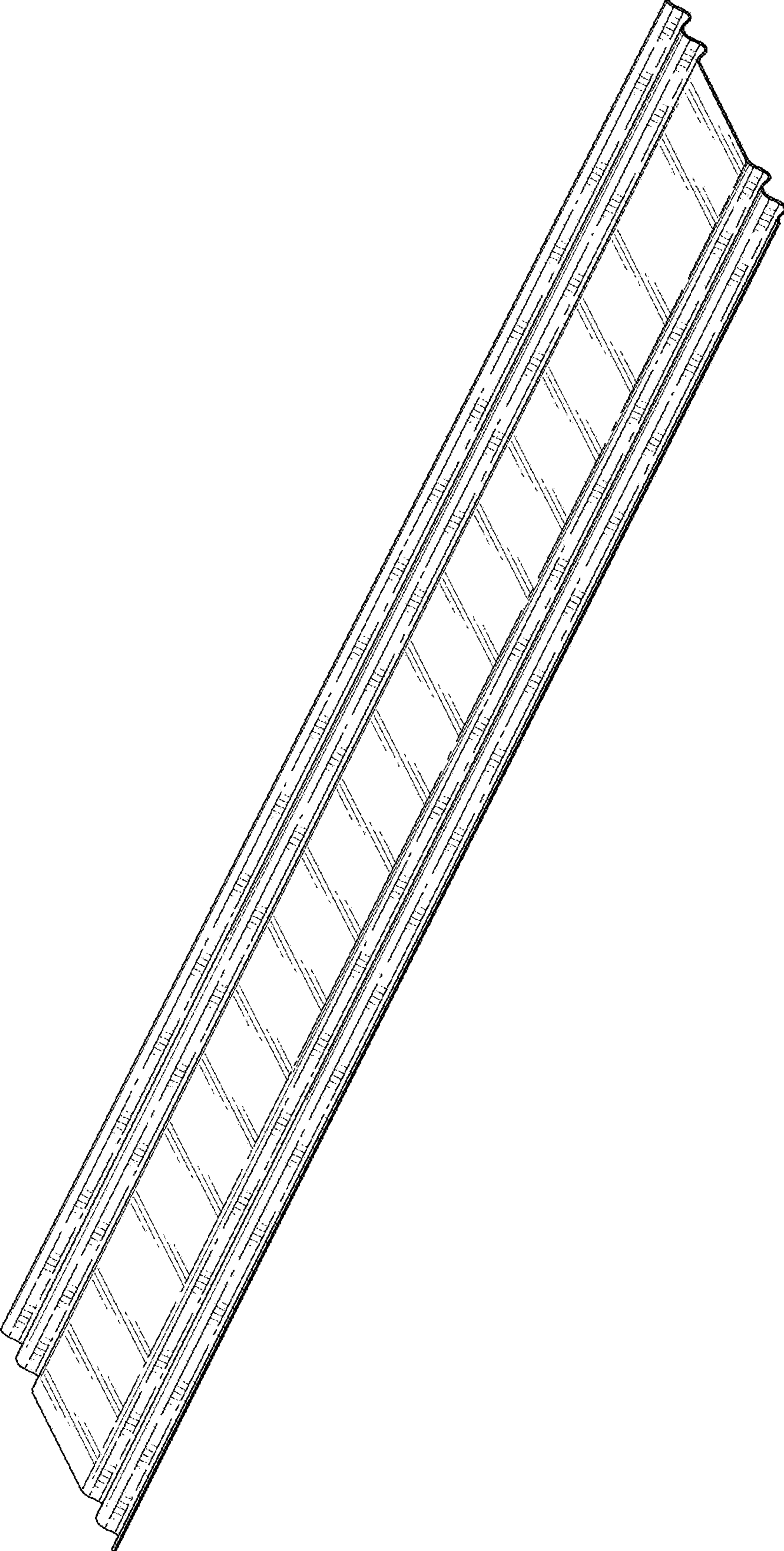


FIG. 2



FIG. 3



FIG. 4



FIG. 5

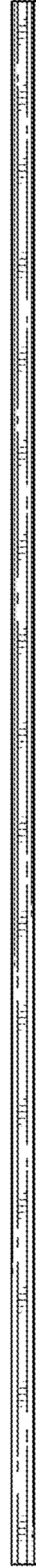


FIG. 6

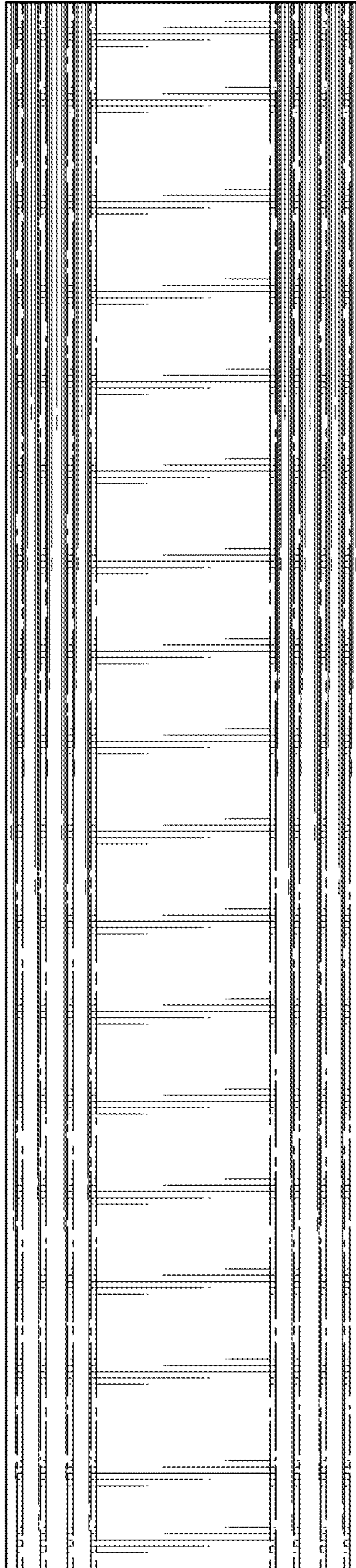


FIG. 7

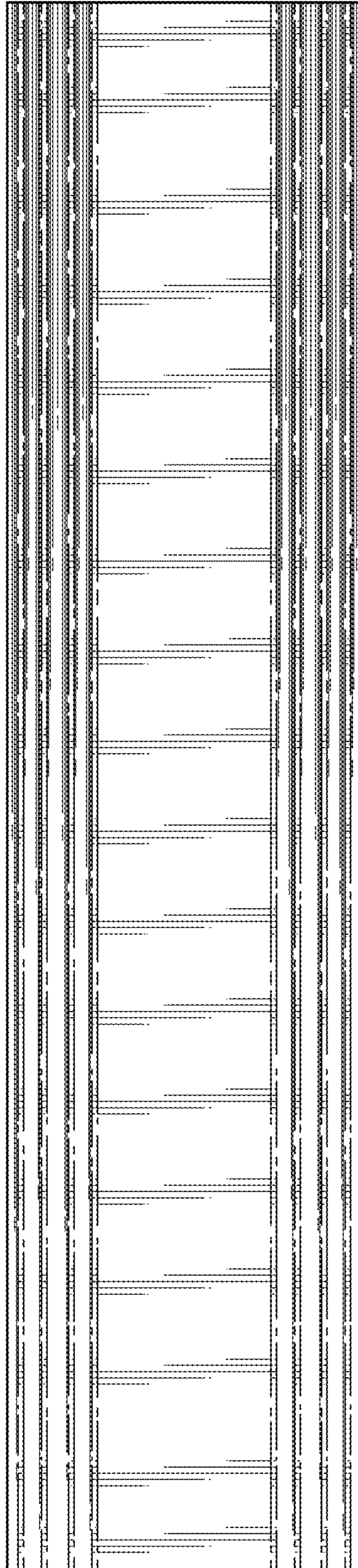


FIG. 8

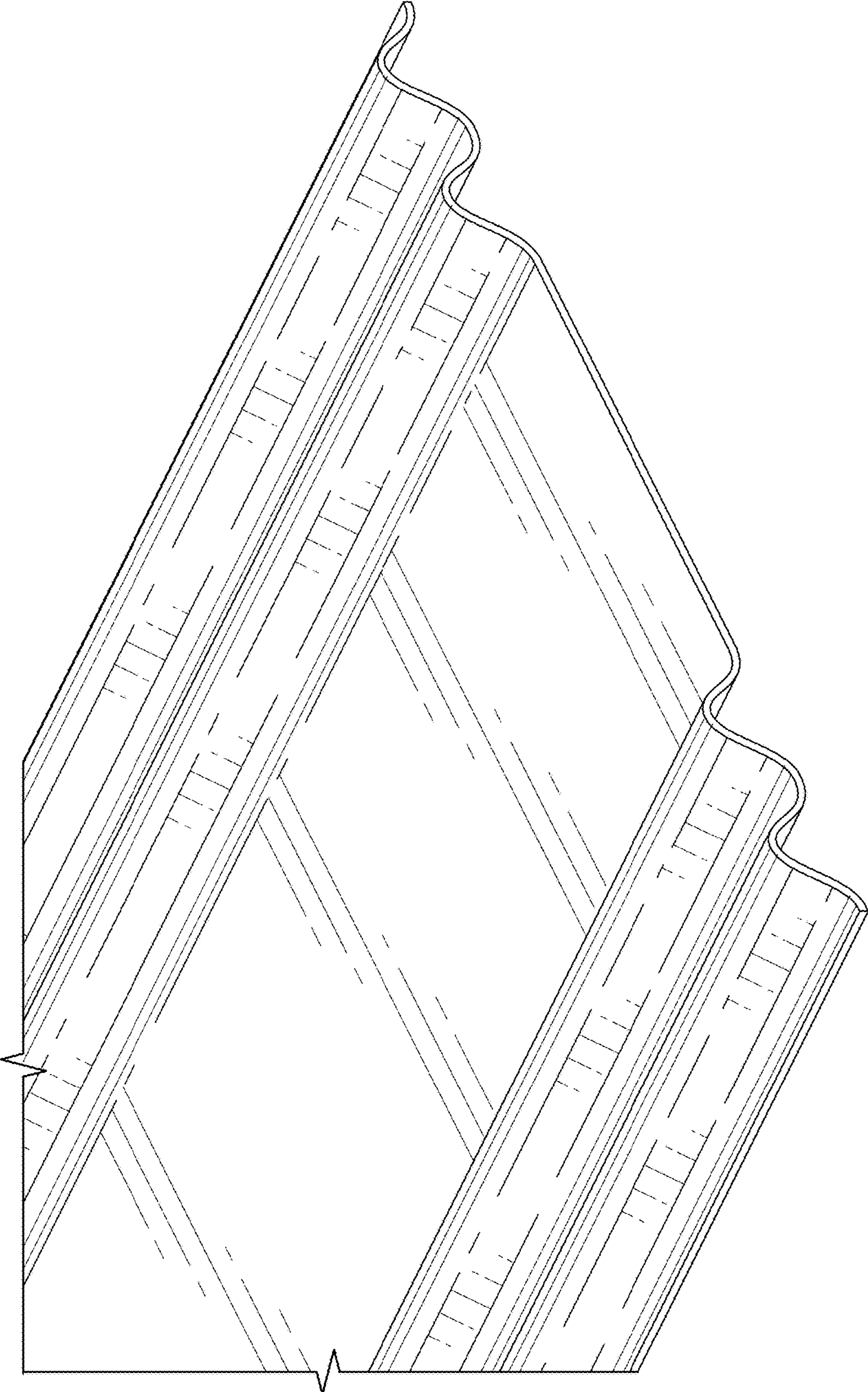


FIG. 9