

US00D795467S

(12) **United States Design Patent**
Mort

(10) **Patent No.:** **US D795,467 S**

(45) **Date of Patent:** **** Aug. 22, 2017**

(54) **SIDING COMPONENT**

(71) Applicant: **Mark Steven Mort**, Kalamazoo, MI
(US)

(72) Inventor: **Mark Steven Mort**, Kalamazoo, MI
(US)

(**) Term: **15 Years**

(21) Appl. No.: **29/588,970**

(22) Filed: **Dec. 27, 2016**

Related U.S. Application Data

(62) Division of application No. 29/515,401, filed on Jan. 22, 2015, now Pat. No. Des. 775,743.

(51) **LOC (10) Cl.** **25-01**

(52) **U.S. Cl.**
USPC **D25/139**; D25/102

(58) **Field of Classification Search**
USPC D25/138-145, 149-153, 156-159,
D25/162-163, 199, 58, 110-111;
D8/349, 354, 382, 384

CPC E04D 1/00; E04D 1/12; E04D 1/14; E04D
1/16; E04D 1/18; E04D 1/20; E04D 1/24;
E04D 1/26; E04D 1/28; E04D 1/34;
E04D 1/265; E04D 2001/3461; E04F
13/08; E04F 13/0862; E04F 13/0864;
E04F 13/0873; E04F 13/0894; E04F
13/24; E04F 13/076; E04F 13/147; E04F
13/185; E04F 19/06; E04F 19/02; E04F
19/04; E04B 2/76; E04B 2/761; E04B
2/762; E04B 2/702; E04B 2/705

See application file for complete search history.

(56) **References Cited**

U.S. PATENT DOCUMENTS

2,114,044 A * 4/1938 Bonnell E04F 19/06
52/277
3,353,854 A * 11/1967 Hansen E04B 1/5818
403/171

D231,430 S * 4/1974 Steinhauser D25/48.8
D240,708 S * 7/1976 Ilukowicz D25/199
D263,730 S * 4/1982 Oribin D21/839
4,998,947 A * 3/1991 Dostall E04D 13/1585
52/244
D349,166 S * 7/1994 Beard, Jr. D25/102
5,392,575 A * 2/1995 Hoffman E02D 27/02
52/169.9
D364,331 S * 11/1995 Leek D8/354
D398,405 S * 9/1998 Beard, Jr. D25/102
5,921,056 A * 7/1999 Weiss E06B 1/62
52/212
5,974,748 A * 11/1999 Sciuga E04F 19/064
52/101
D442,702 S * 5/2001 Wilson D25/102
D465,033 S * 10/2002 Messier D25/102
D486,920 S * 2/2004 Hein D25/102
6,786,015 B2 * 9/2004 Wilt E04D 13/158
52/233

(Continued)

Primary Examiner — Manpreet Matharu

Assistant Examiner — Rebekah A Caruso

(74) *Attorney, Agent, or Firm* — Warner Norcross & Judd
LLP

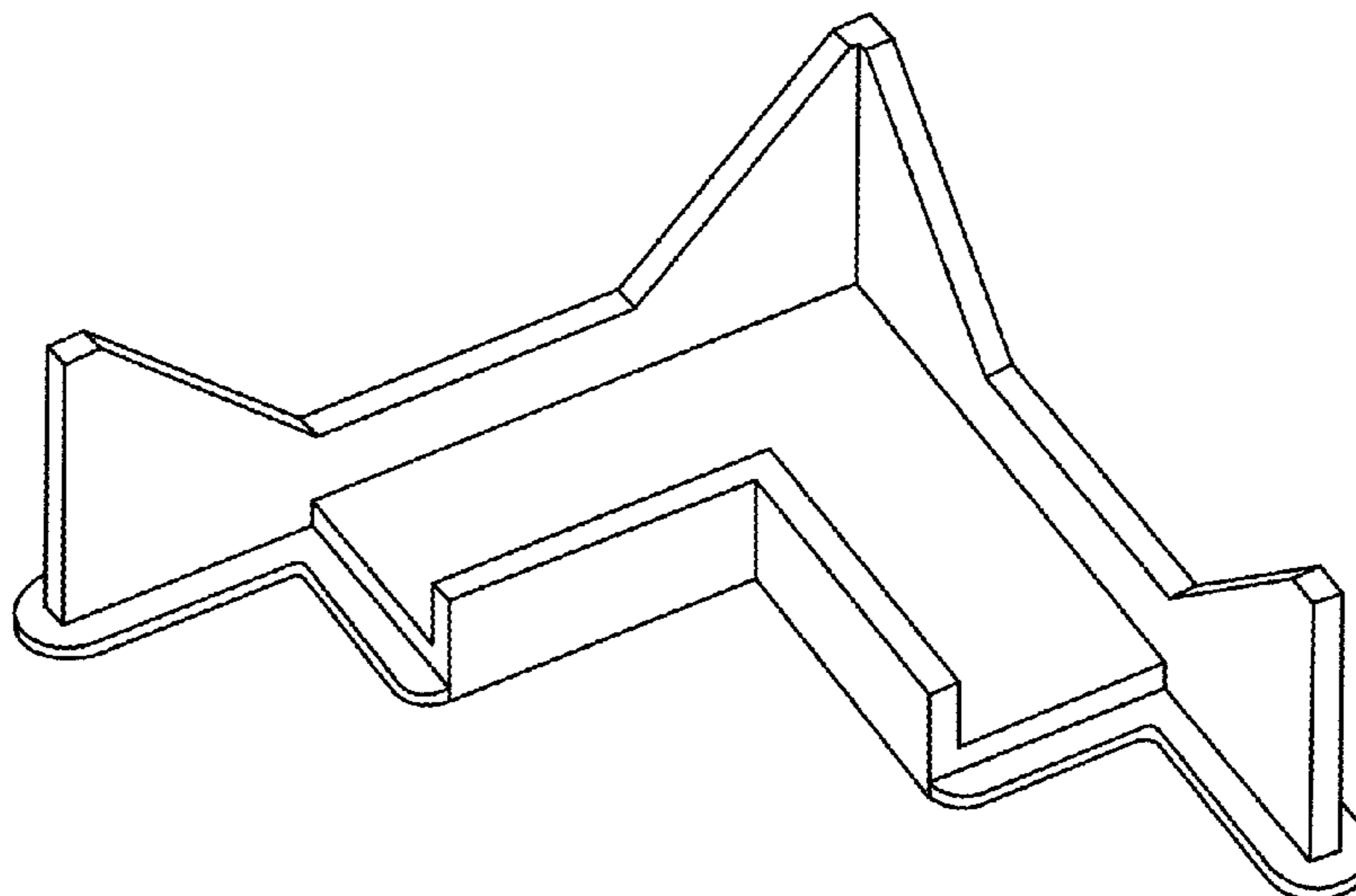
(57) **CLAIM**

The ornamental design for a siding component, as shown and described.

DESCRIPTION

FIG. 1 is a perspective view of a siding component;
FIG. 2 is a second perspective view thereof;
FIG. 3 is a right side front elevation view thereof;
FIG. 4 is a left side front elevation view thereof;
FIG. 5 is a top plan view thereof;
FIG. 6 is a bottom plan view thereof; and,
FIG. 7 is a right back side elevation view thereof, which is identical to the left back side elevation view thereof.

1 Claim, 4 Drawing Sheets



(56)

References Cited

U.S. PATENT DOCUMENTS

D524,952 S *	7/2006	Ardern	D25/163
D529,633 S *	10/2006	Zarb	D25/136
D549,841 S *	8/2007	Beard, Jr.	D25/102
D551,779 S *	9/2007	Swanson	D25/102
D560,486 S *	1/2008	Ray	D8/403
D571,486 S *	6/2008	Miller	D25/133
D617,470 S *	6/2010	Stouffer	D25/102
D624,804 S *	10/2010	Wellard	D8/354
D679,032 S *	3/2013	Voelkerding	D25/199
D686,057 S *	7/2013	Castellano	D8/349
D717,158 S *	11/2014	Roberts	D8/382
D719,014 S *	12/2014	Roberts	D8/382
D753,465 S *	4/2016	Marsh	D8/349
D775,743 S *	1/2017	Mort	D25/139

* cited by examiner

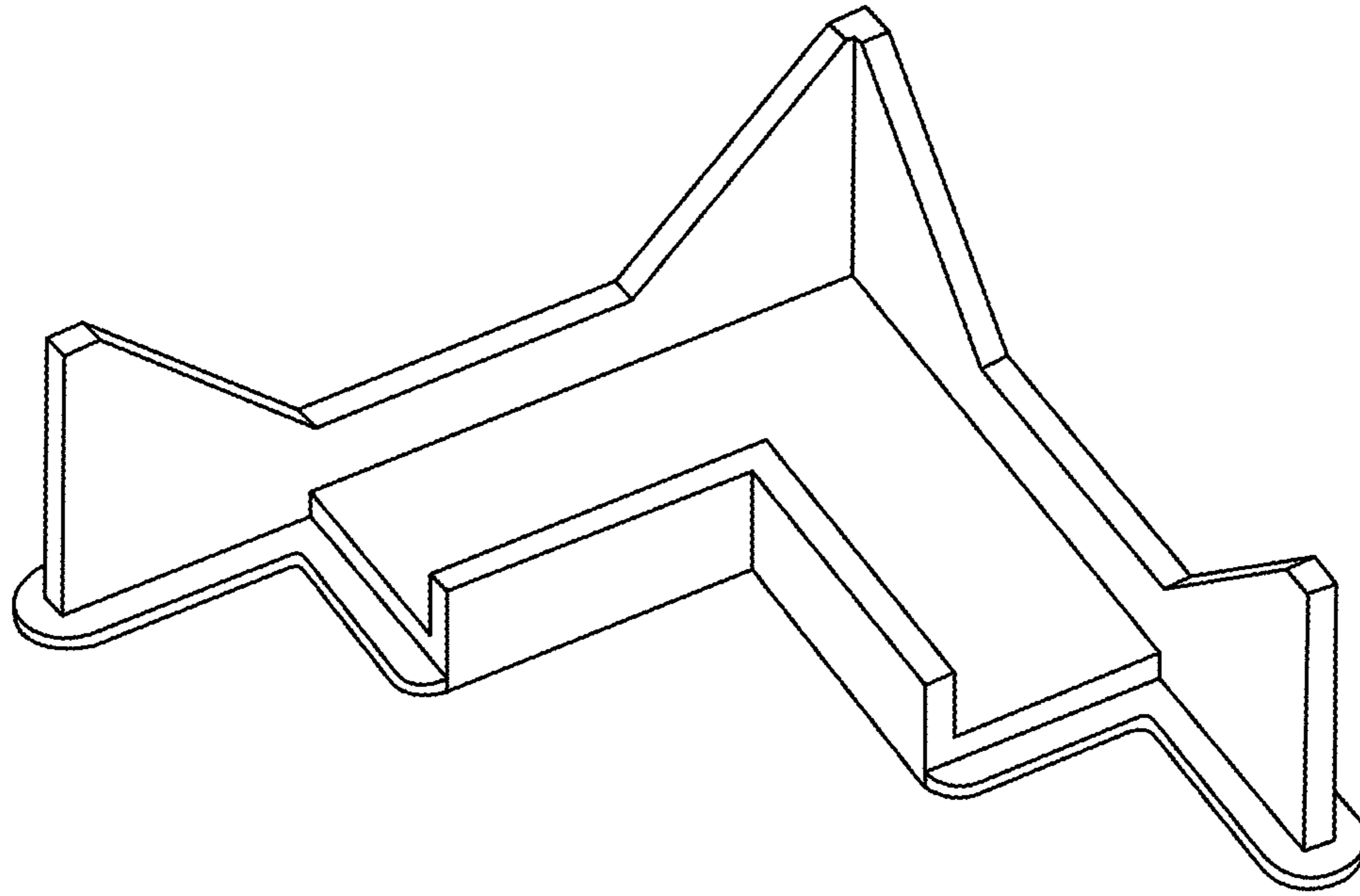


FIG. 1

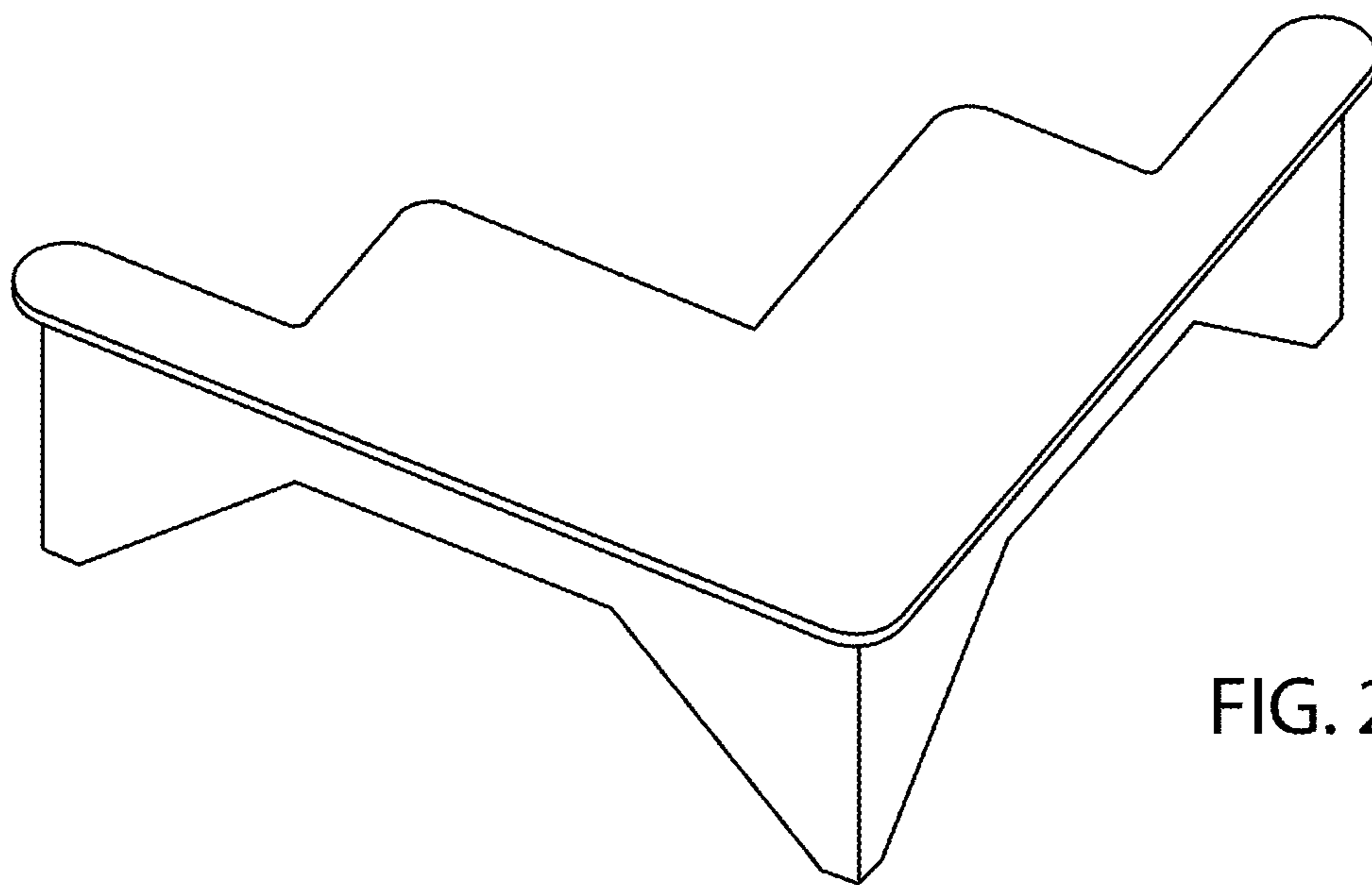


FIG. 2

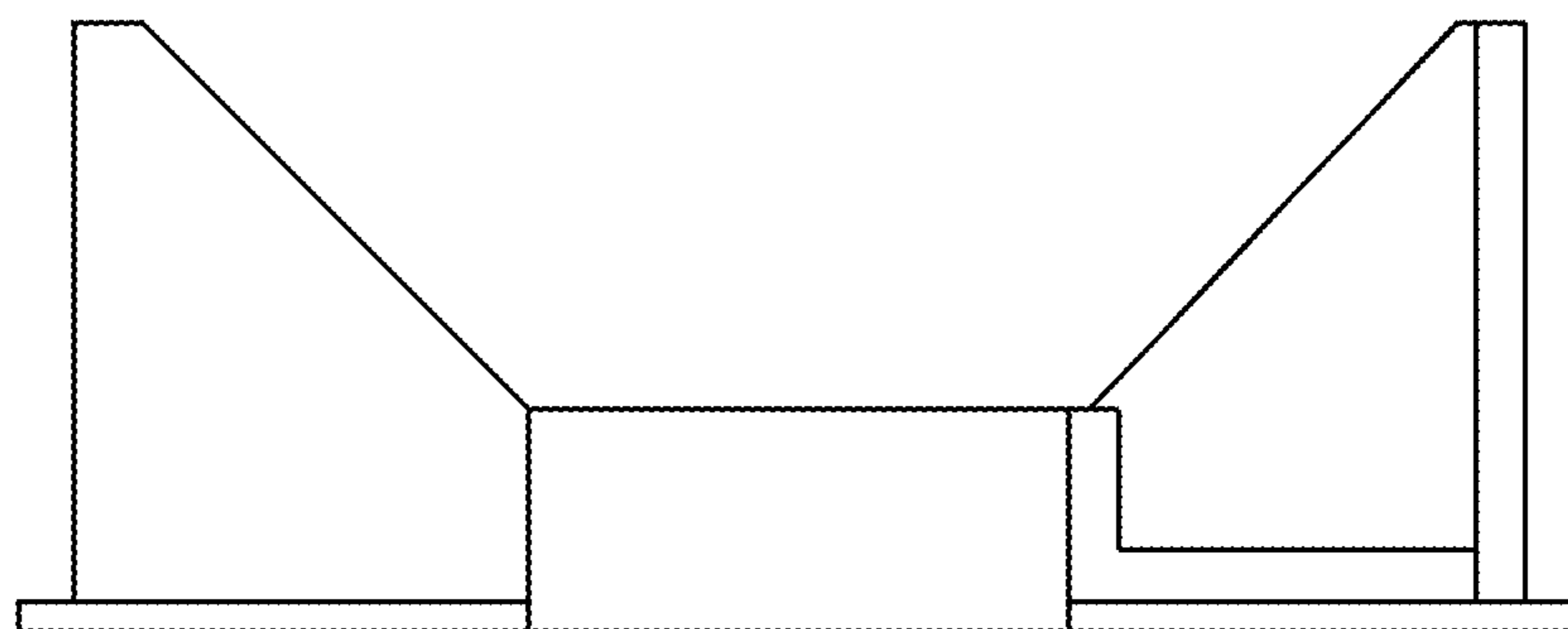


FIG. 3

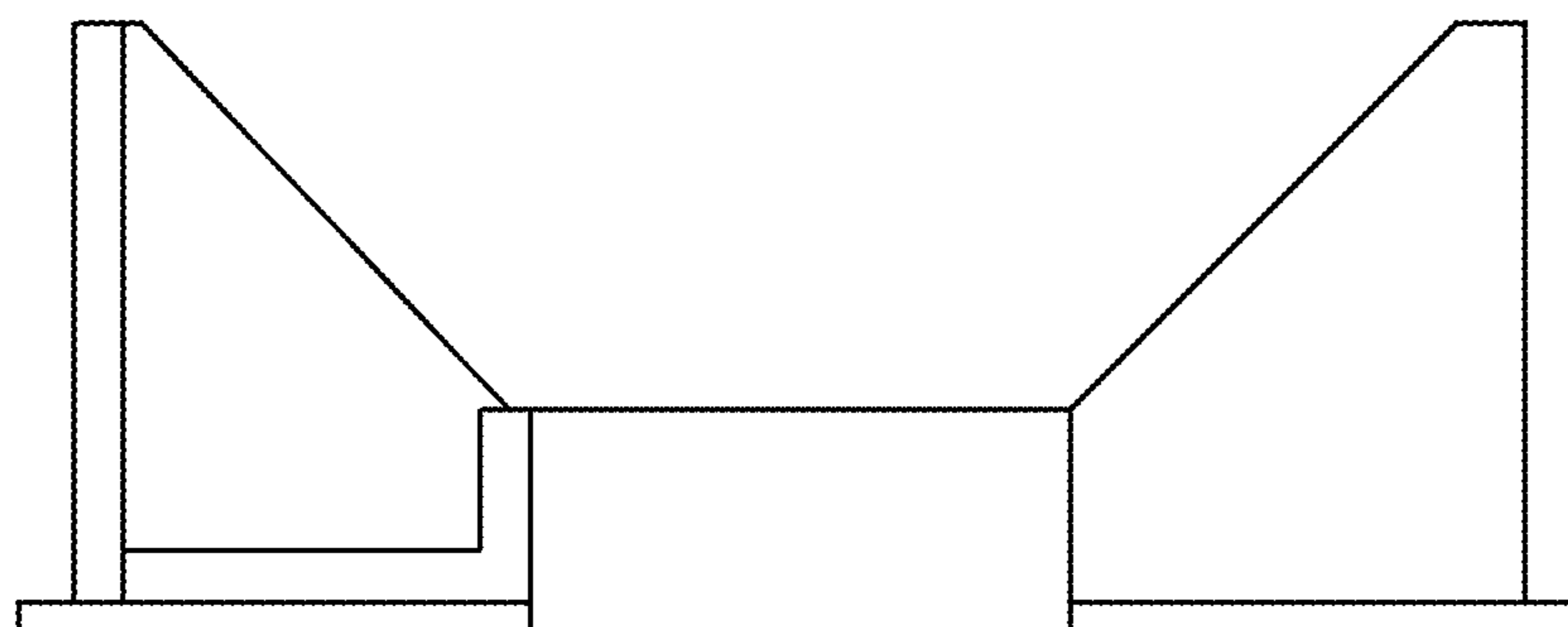
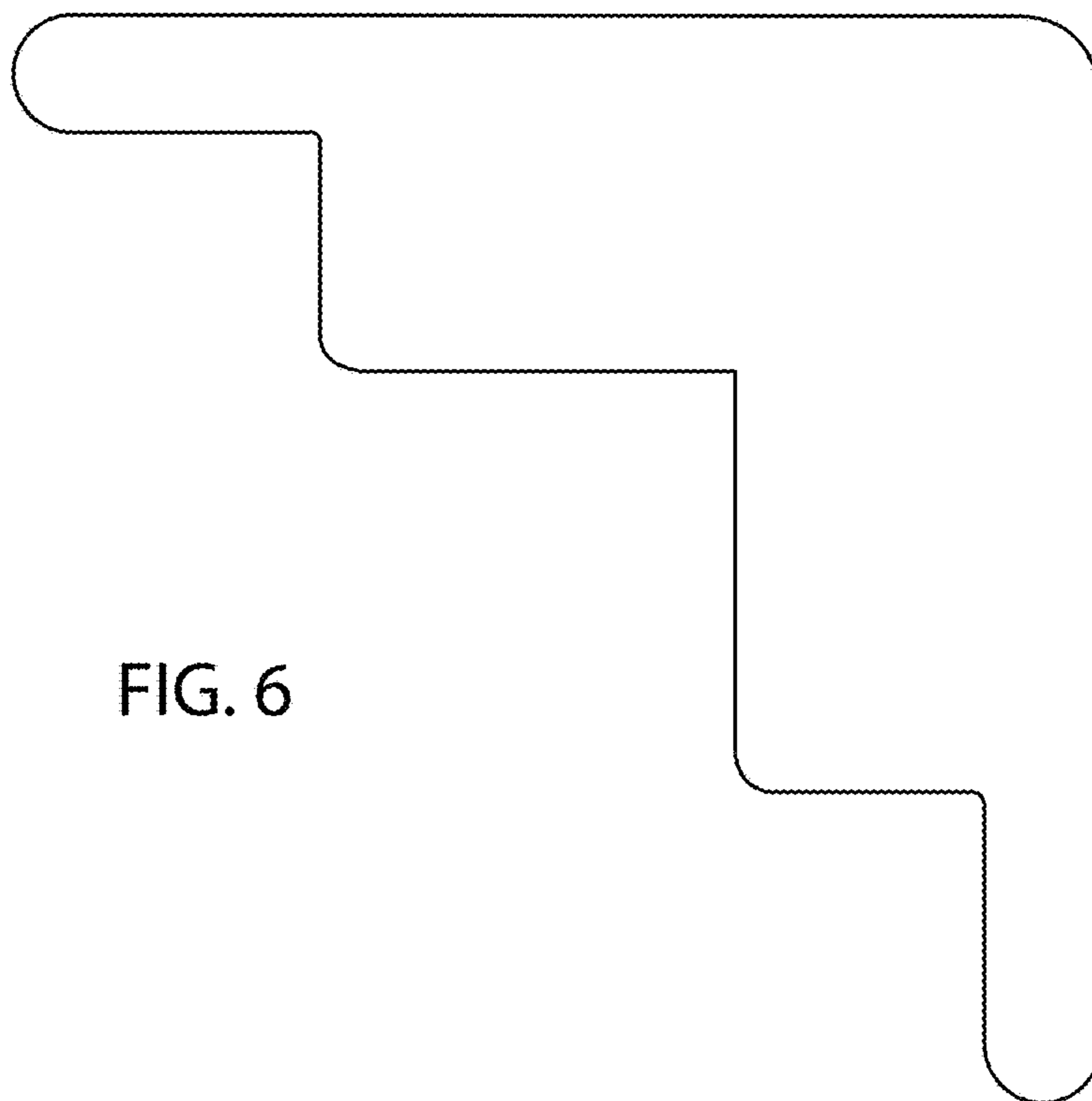
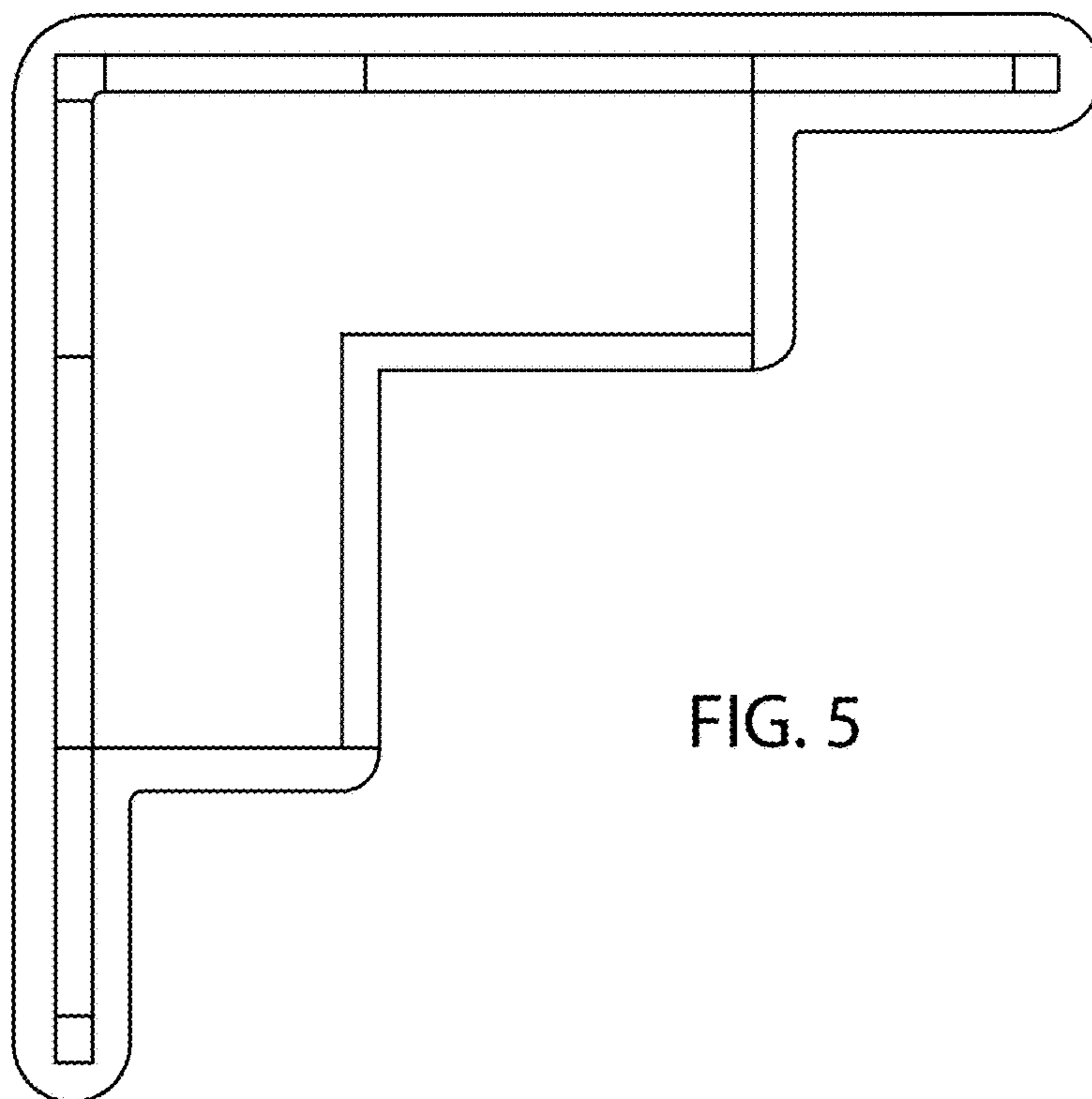


FIG. 4



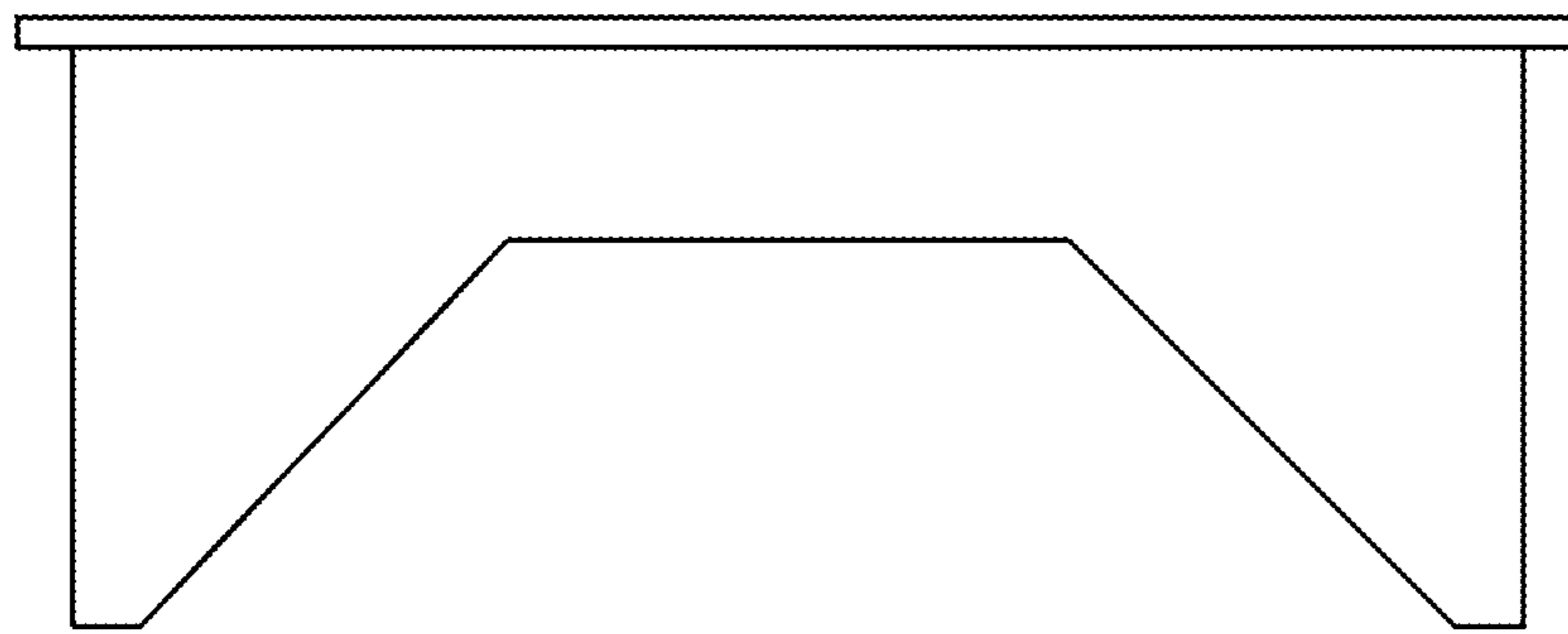


FIG. 7