



US00D795466S

(12) **United States Design Patent** (10) **Patent No.:** **US D795,466 S**
Kilian et al. (45) **Date of Patent:** **** Aug. 22, 2017**

- (54) **ARCHITECTURAL PANEL**
- (71) Applicant: **ARKTURA LLC**, Gardena, CA (US)
- (72) Inventors: **Robert Kilian**, Venice, CA (US); **Kevin Kane**, Los Angeles, CA (US); **Chris Kabatsi**, Venice, CA (US)
- (73) Assignee: **Arktura LLC**, Los Angeles, CA (US)
- (**) Term: **15 Years**
- (21) Appl. No.: **29/533,405**
- (22) Filed: **Jul. 16, 2015**

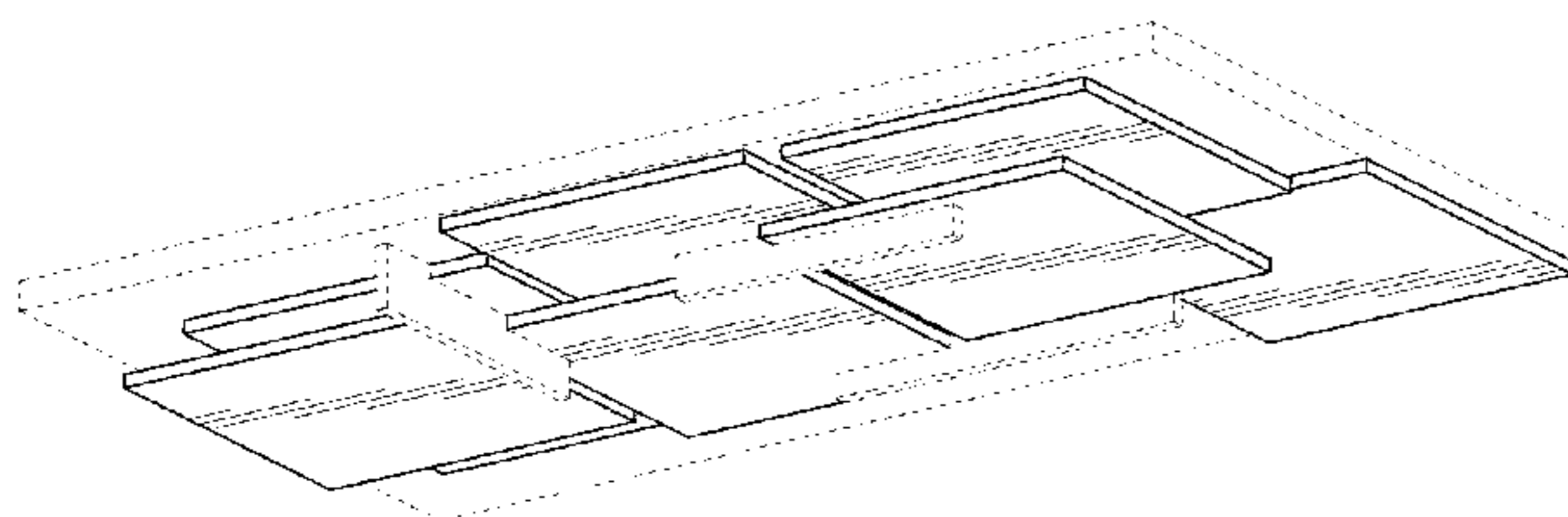
Related U.S. Application Data

- (63) Continuation-in-part of application No. 29/532,283, filed on Jul. 3, 2015.
- (51) **LOC (10) Cl.** **25-01**
- (52) **U.S. Cl.**
USPC **D25/138**
- (58) **Field of Classification Search**
USPC D25/138-163, 48.5, 103; D5/1, 2, 3, 5, D5/6, 8, 11, 12, 15, 16, 24, 29, 32, 43, D5/47, 53, 54, 58
CPC E04B 2001/1984; E04B 2001/2481; E04B 1/84; E04B 1/8404; E04B 1/86; E04B 9/00; E04B 9/22; E04B 9/225; E04B 9/24; E04B 9/242; E04B 1/82; E04B 2001/8263; E04B 2001/8281; E04B 2001/8423; E04B 2001/8461; E04F 13/00
See application file for complete search history.

(56) **References Cited**

U.S. PATENT DOCUMENTS

- D96,547 S * 8/1935 Harshberger D25/139
- D236,989 S * 9/1975 Holman D14/214
- D252,091 S * 6/1979 Popeck 273/157 R
- 6,908,656 B2 * 6/2005 Daniel A47G 27/0275
428/44
- D541,053 S * 4/2007 Sanders D5/58



- D638,145 S * 5/2011 Rhee D25/157
- D652,950 S * 1/2012 Waters D25/58
- D660,460 S * 5/2012 Dixon D25/113
- 8,361,581 B2 * 1/2013 Tick A47G 27/0275
428/434
- D726,420 S * 4/2015 Cordovana D5/99
- 9,181,714 B2 * 11/2015 MacDonald E01O 5/00
- D771,279 S * 11/2016 Kilian D25/138
- D771,280 S * 11/2016 Kilian D25/138

OTHER PUBLICATIONS

Arktura Softplanes (on-line), dated Dec. 13, 2015. Retrieved from Internet Feb. 3, 2017, URL: <https://web.archive.org/web/20151213071250/http://arktura.com/product/softplanes> (4 pages).*

* cited by examiner

Primary Examiner — Vy Koenig

Assistant Examiner — Kimberly Barnes

(74) *Attorney, Agent, or Firm* — Matthew J. Spark; Zuber Lawler & Del Duca LLP

(57) **CLAIM**

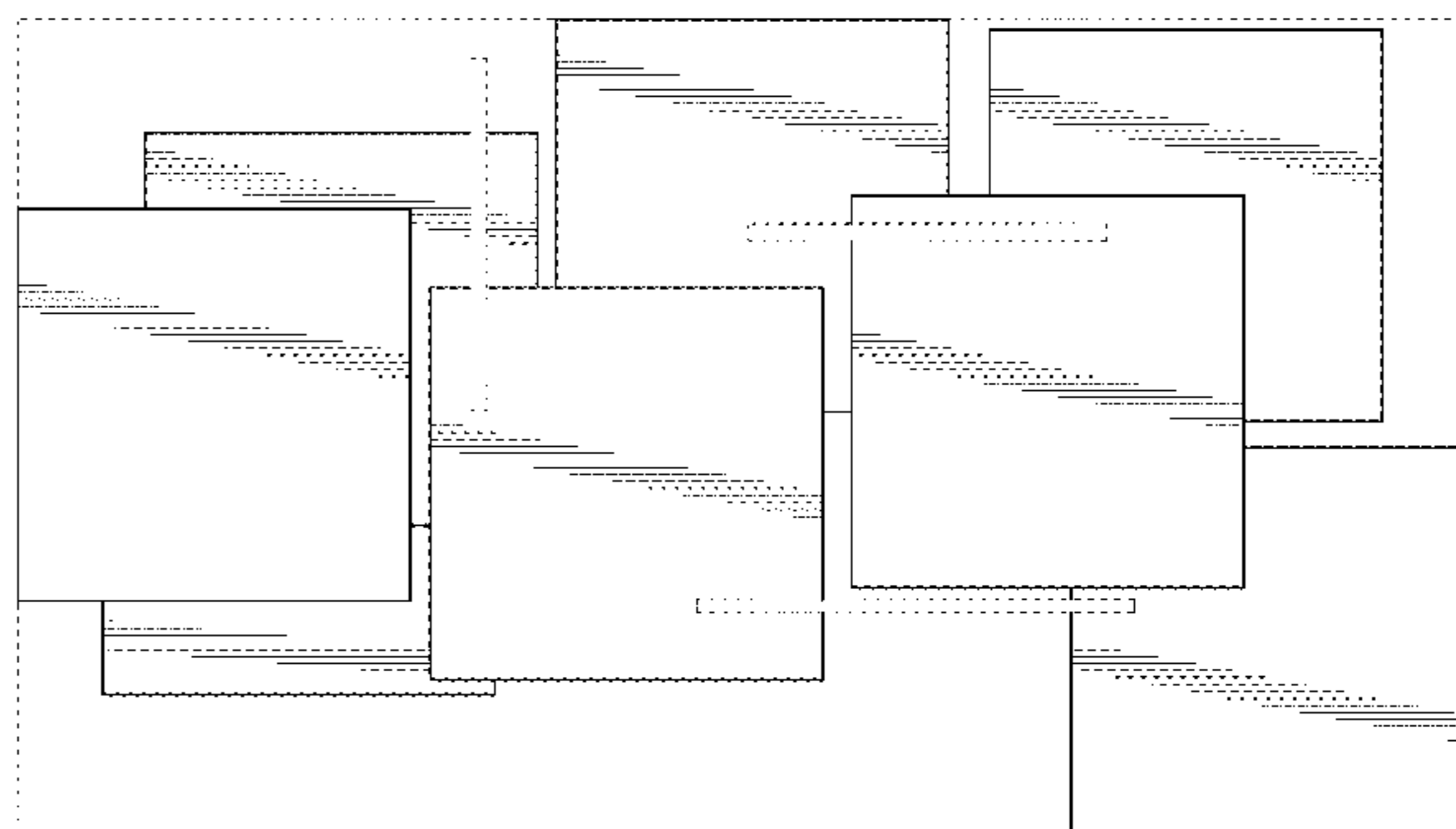
The ornamental design for an architectural panel, as shown and described.

DESCRIPTION

FIG. 1 is a perspective view of our new design for an architectural panel;
FIG. 2 is a front elevational view thereof;
FIG. 3 is a right elevational view thereof;
FIG. 4 is a rear elevational view thereof;
FIG. 5 is a left elevational view thereof;
FIG. 6 is a bottom plan view thereof; and,
FIG. 7 is a top plan view thereof.

The broken lines in the accompanying figures depict portions of the architectural panel that form no part of the claimed design.

1 Claim, 3 Drawing Sheets



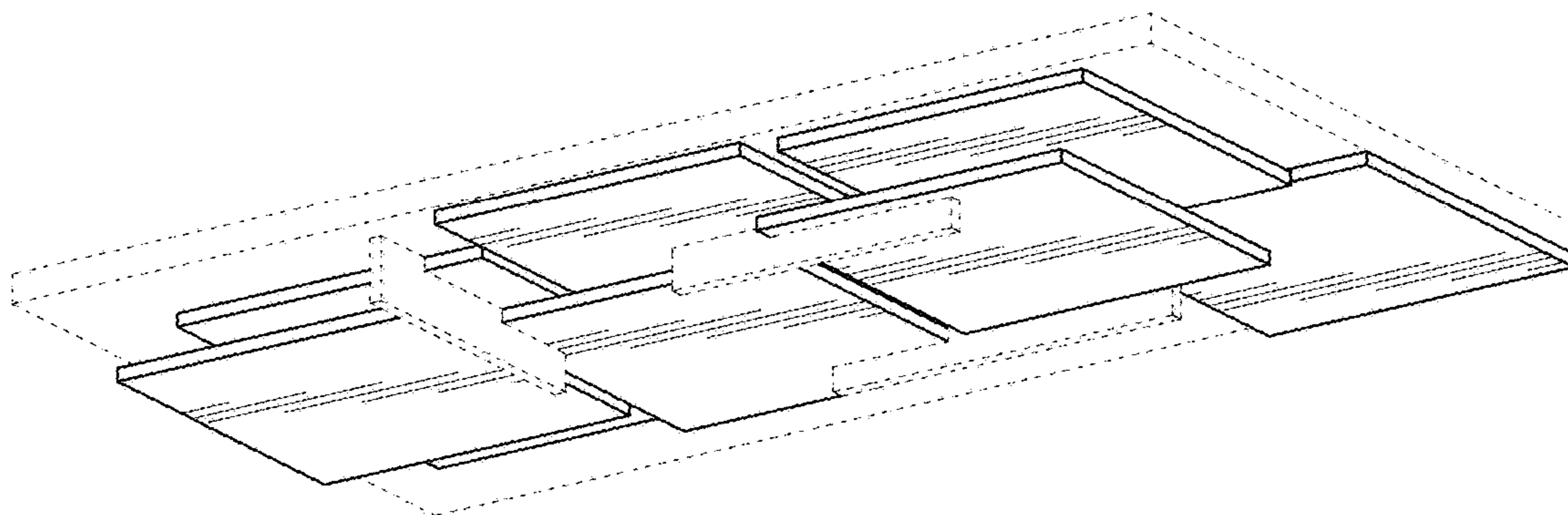


FIG. 1

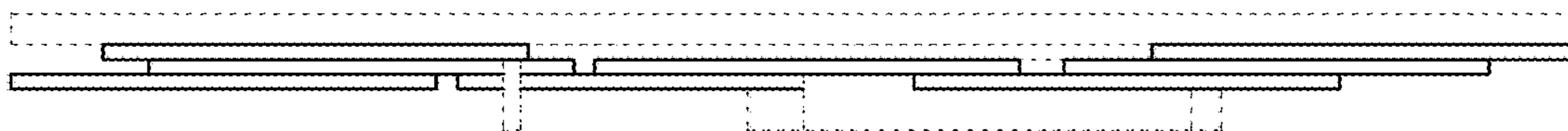


FIG. 2

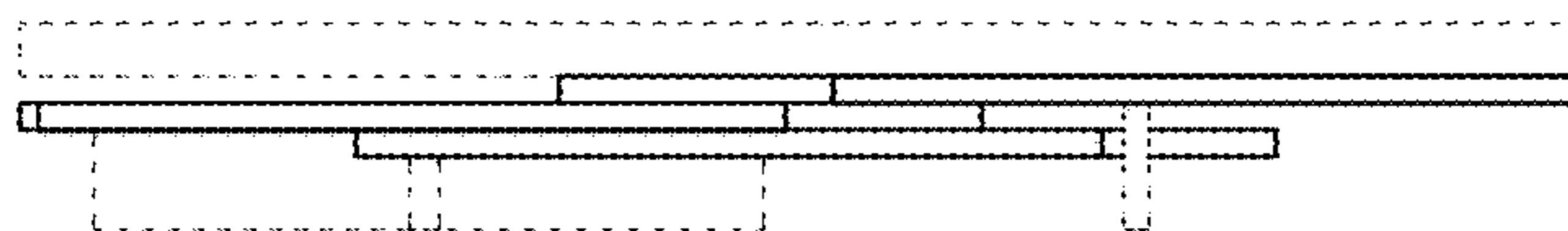


FIG. 3

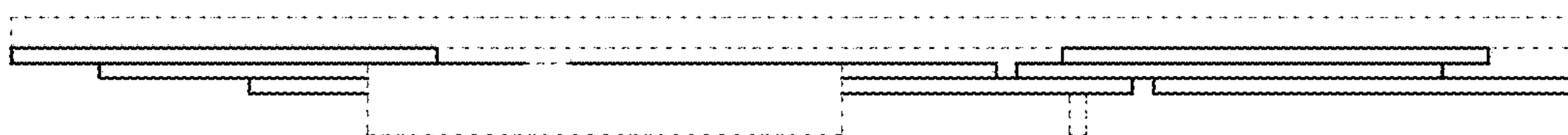


FIG. 4

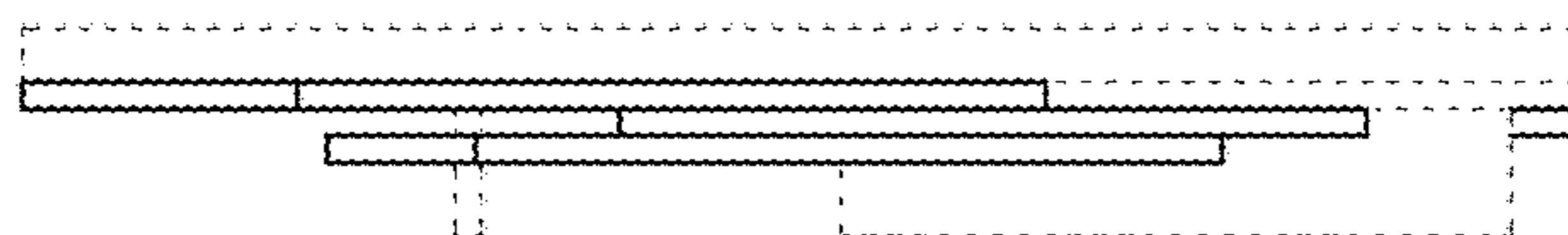


FIG. 5

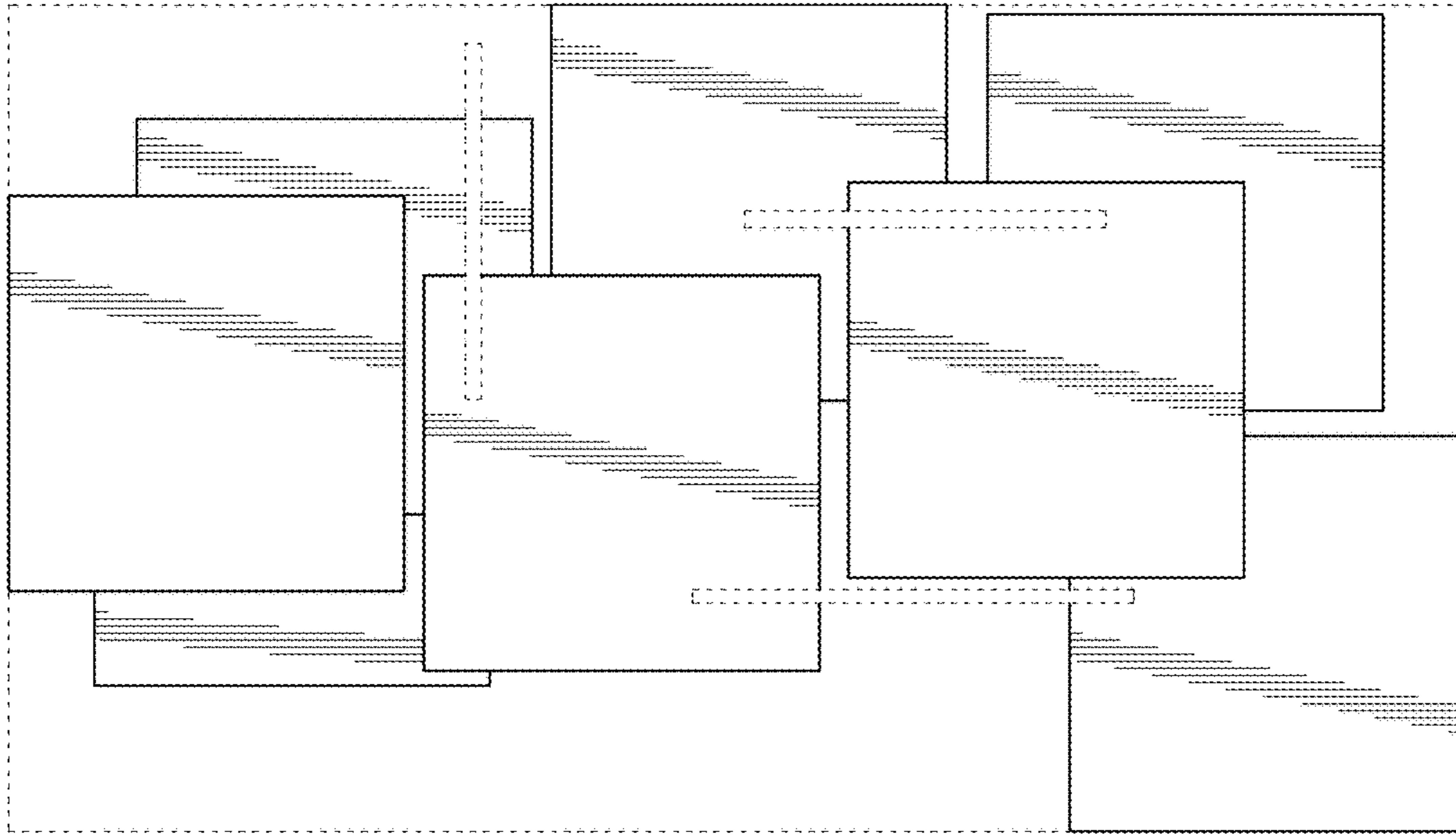


FIG. 6

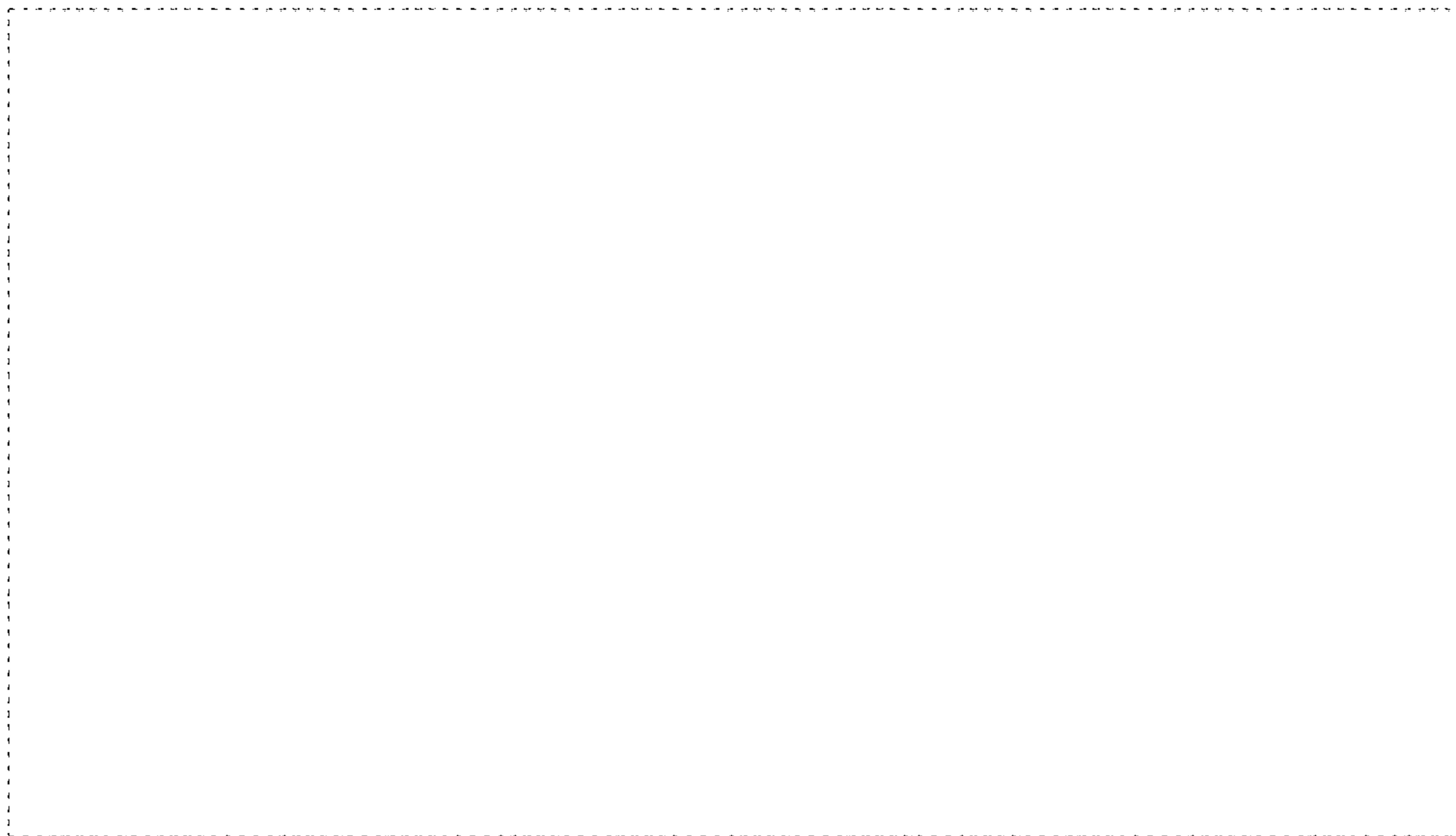


FIG. 7