



US00D795456S

(12) **United States Design Patent**
Marshall

(10) **Patent No.:** **US D795,456 S**

(45) **Date of Patent:** **** Aug. 22, 2017**

(54) **WINDOW COMPONENT EXTRUSION**

(71) Applicant: **Chelsea Building Products, Inc.**,
Oakmont, PA (US)

(72) Inventor: **Philip Marshall**, Pittsburgh, PA (US)

(73) Assignee: **Chelsea Building Products, Inc.**,
Oakmont, PA (US)

(**) Term: **15 Years**

(21) Appl. No.: **29/550,701**

(22) Filed: **Jan. 6, 2016**

(51) **LOC (10) Cl.** **25-01**

(52) **U.S. Cl.**
USPC **D25/124**

(58) **Field of Classification Search**
USPC D25/47.1, 48.2, 48.3, 48.7, 60, 119, 120,
D25/124, 125, 164; 49/DIG. 2, 409, 425,
49/501, 504; 52/204.1, 204.5, 204.51,
52/207, 656.5, 656.6, 656.2
CPC E06B 1/702; E06B 3/44; Y10T 29/49616
See application file for complete search history.

(56) **References Cited**

U.S. PATENT DOCUMENTS

D368,533 S *	4/1996	Wright	D25/60
D379,233 S *	5/1997	Wright	D25/60
D419,245 S *	1/2000	Franson	D25/124
D461,013 S	7/2002	Marshall		
D461,014 S	7/2002	Marshall		
D495,808 S *	9/2004	Habeck	D25/119
D600,360 S *	9/2009	Wickland	D25/124
D608,906 S *	1/2010	Stephens	D25/60
D608,909 S *	1/2010	Stephens	D25/60
D619,729 S *	7/2010	Bernier	D25/124
D713,555 S	9/2014	Stankay et al.		
D713,556 S	9/2014	Stankay		
D713,557 S	9/2014	Stankay		
D713,558 S	9/2014	Stankay et al.		

D716,968 S	11/2014	Stankay		
D729,947 S	5/2015	Stankay		
D729,948 S	5/2015	Stankay		
D732,204 S *	6/2015	Campbell	D25/124
D732,706 S *	6/2015	Campbell	D25/124
D735,894 S *	8/2015	Campbell	D25/124
2009/0199496 A1 *	8/2009	Garries	E06B 1/702 52/213

* cited by examiner

Primary Examiner — Susan Bennett Hattan

Assistant Examiner — Leanne Was-Englehart

(74) *Attorney, Agent, or Firm* — Drinker Biddle & Reath
LLP

(57) **CLAIM**

The ornamental design for a window component extrusion,
as shown and described.

DESCRIPTION

FIG. 1 is a perspective view of a window component
extrusion according to the present invention.

FIG. 2 is a right side view of the window component
extrusion of FIG. 1.

FIG. 3 is a left side view of the window component
extrusion of FIG. 1.

FIG. 4 is a front view of the window component
extrusion of FIG. 1.

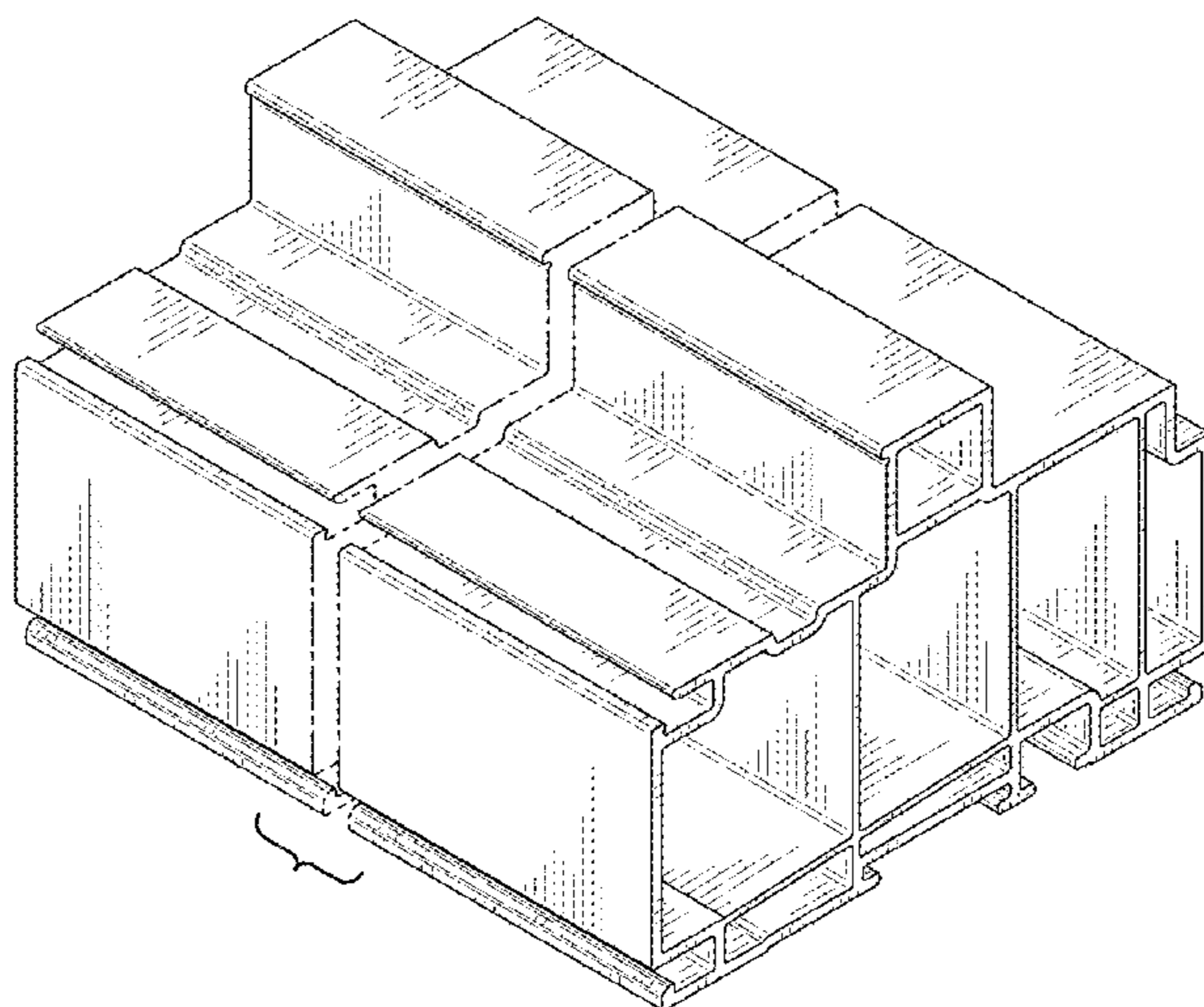
FIG. 5 is a rear view of the window component
extrusion of FIG. 1.

FIG. 6 is a top view of the window component
extrusion of FIG. 1; and,

FIG. 7 is a bottom view of the window component
extrusion of FIG. 1.

The window component extrusion is shown with two parallel dash-dot break lines that represent the bounds of the claim. The appearance of any portion of the article between the break lines forms no part of the claimed design.

1 Claim, 4 Drawing Sheets



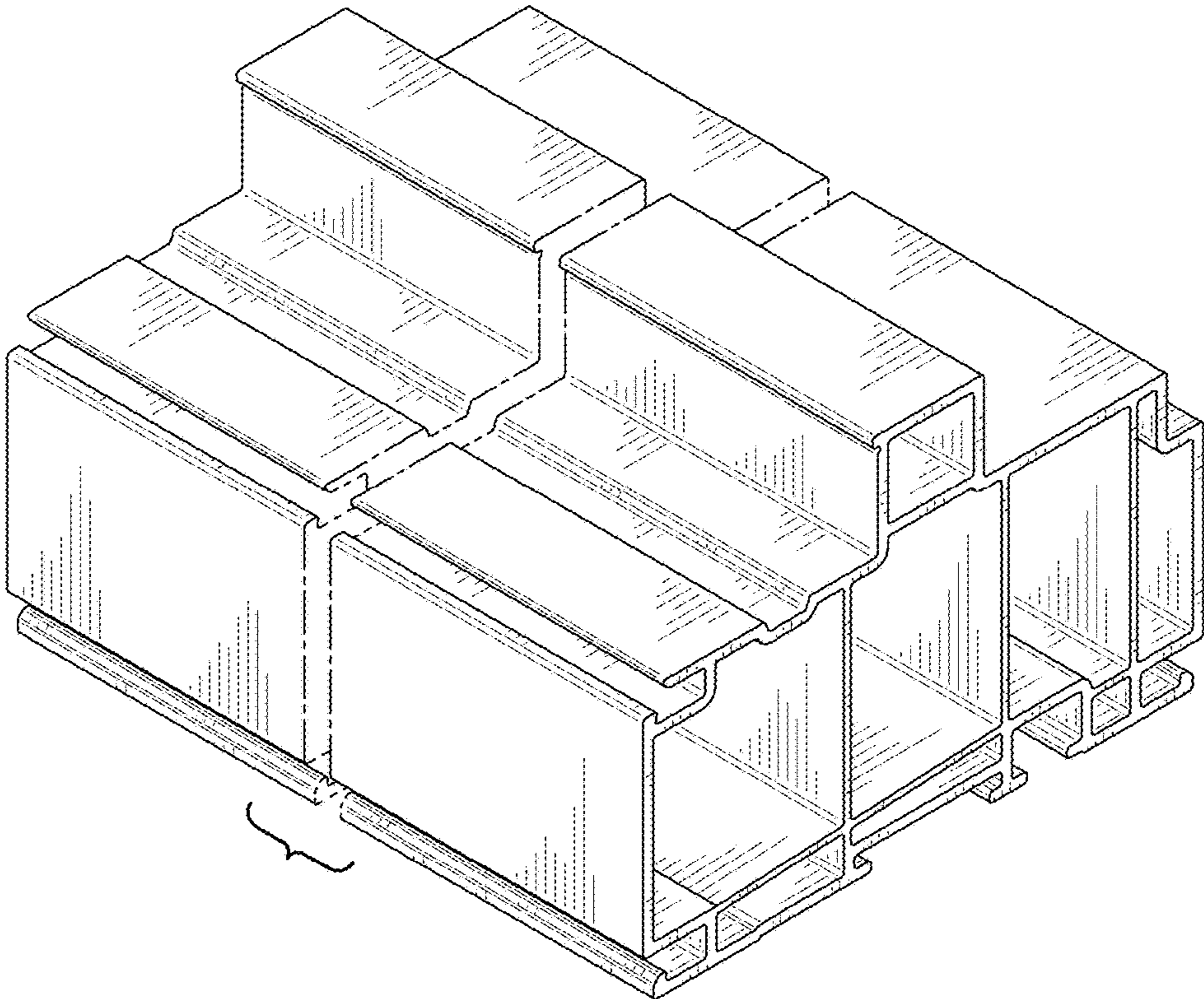


FIG. 1

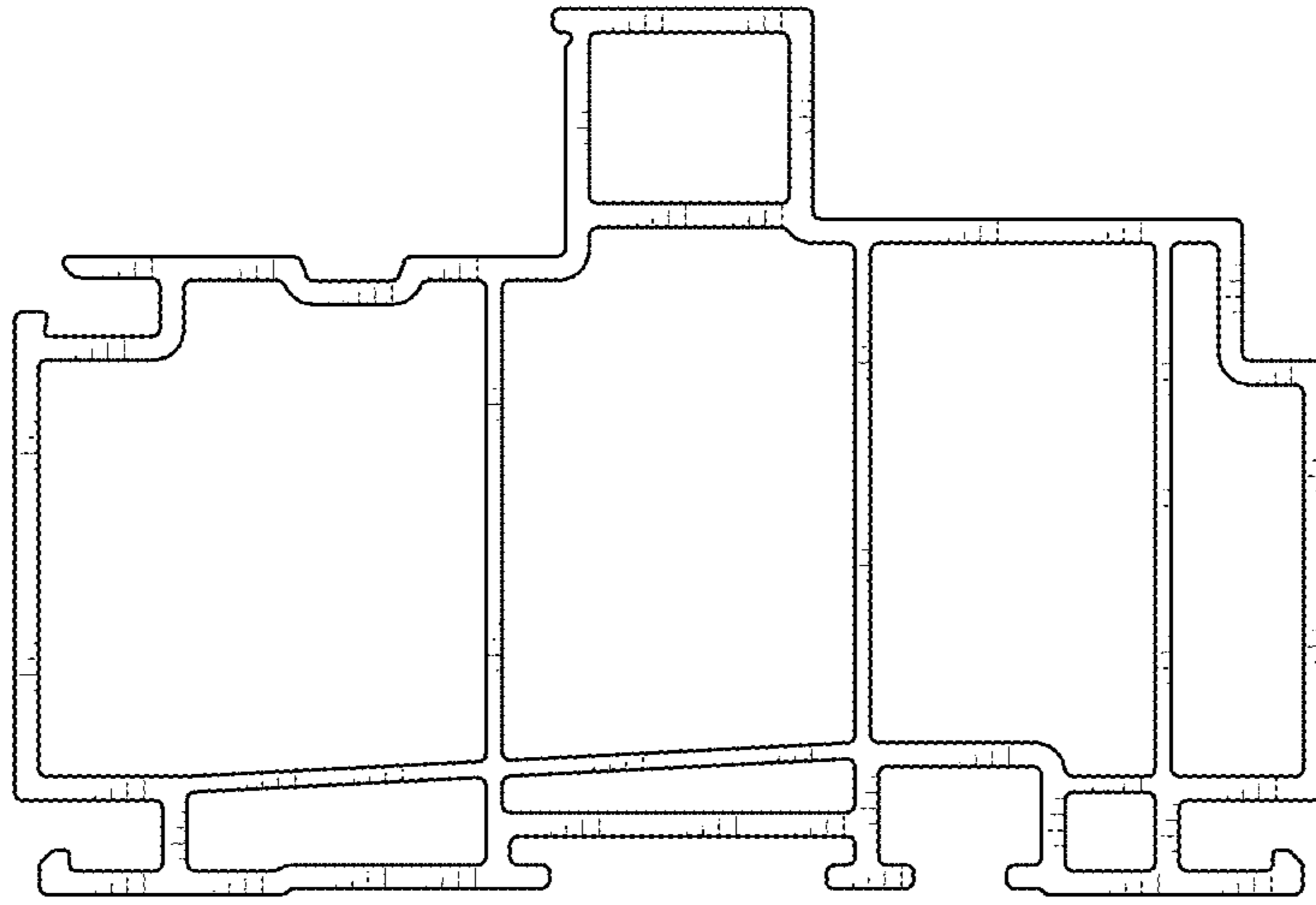


FIG. 2

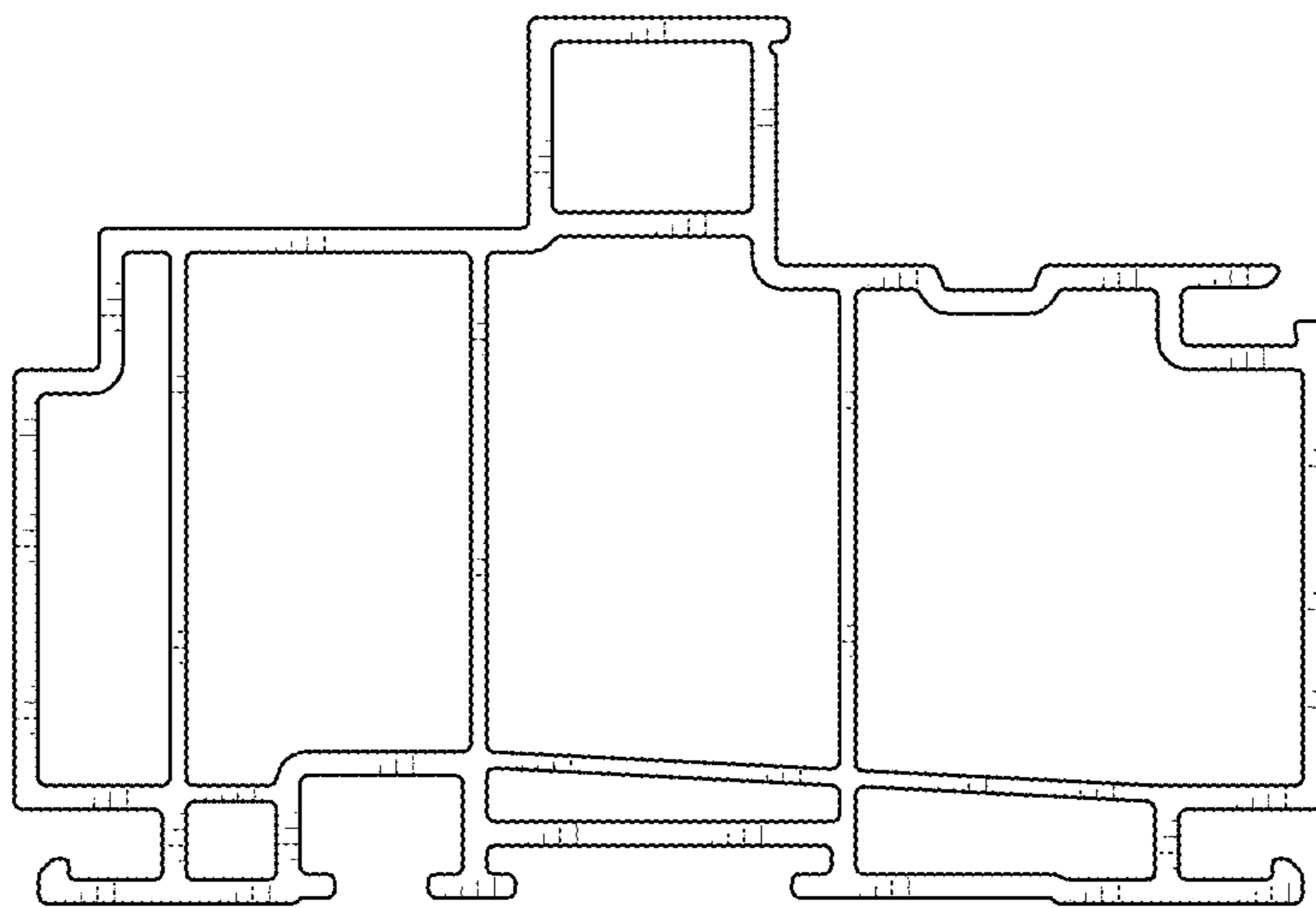


FIG. 3

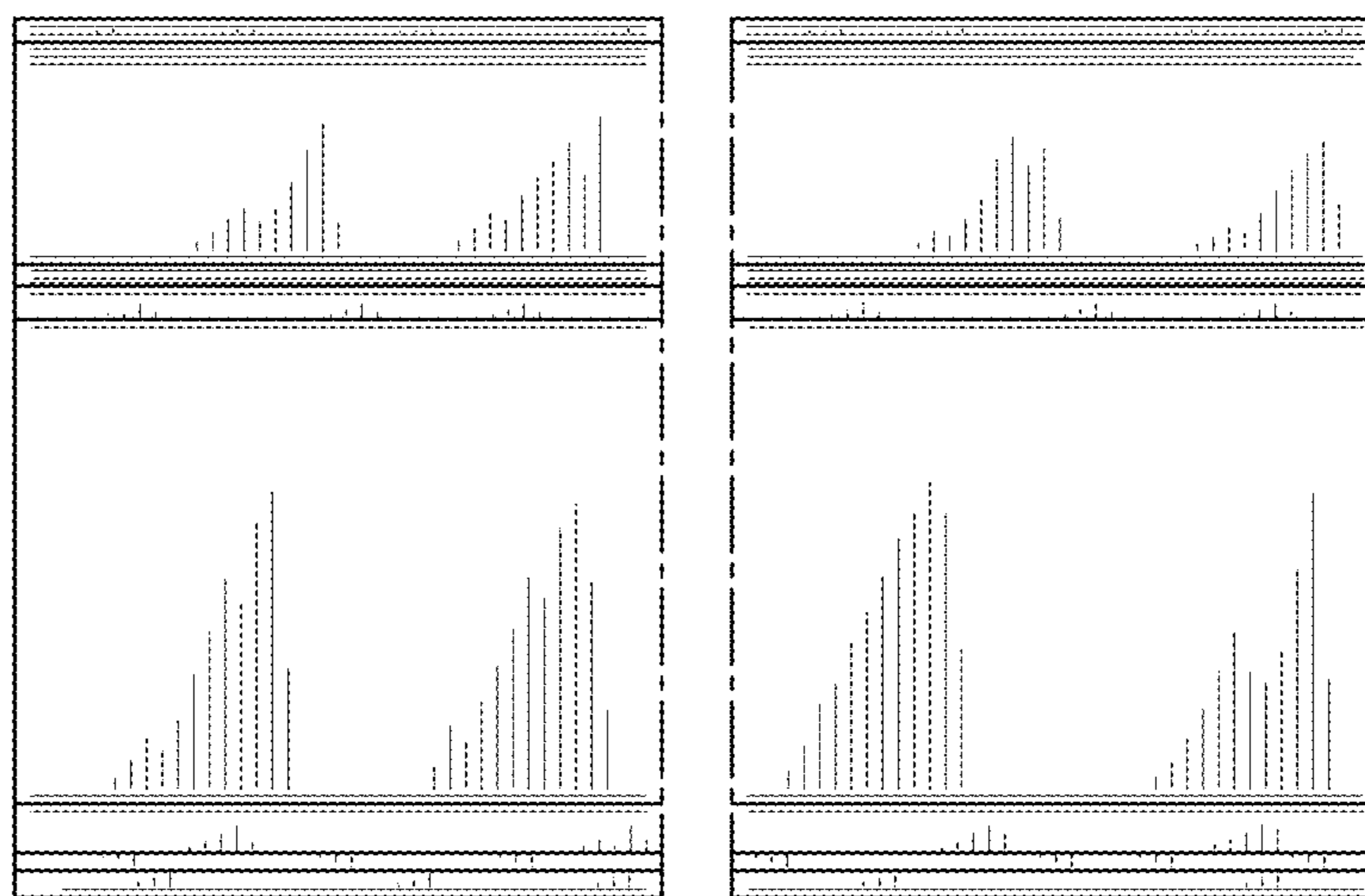


FIG. 4

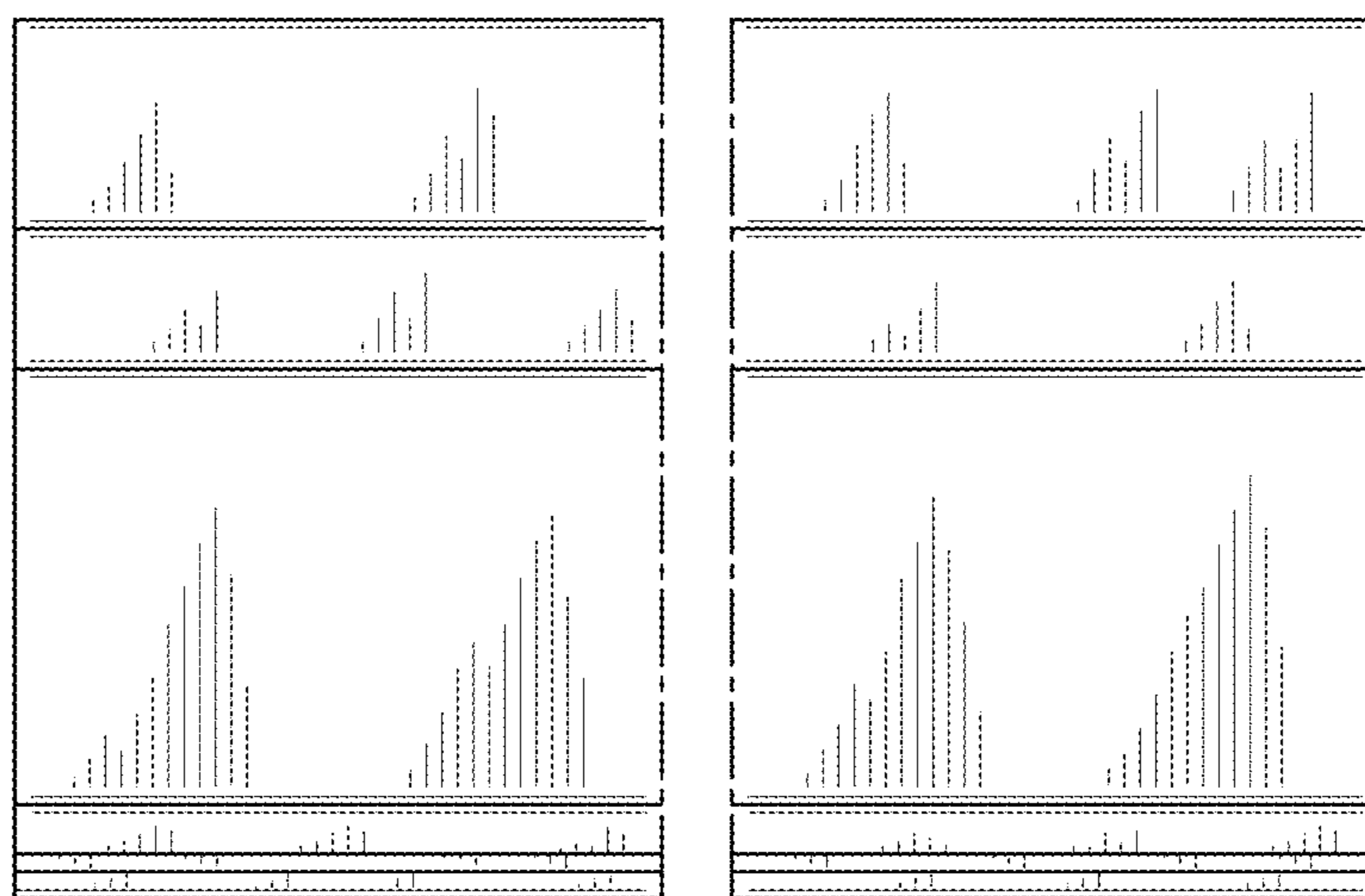


FIG. 5

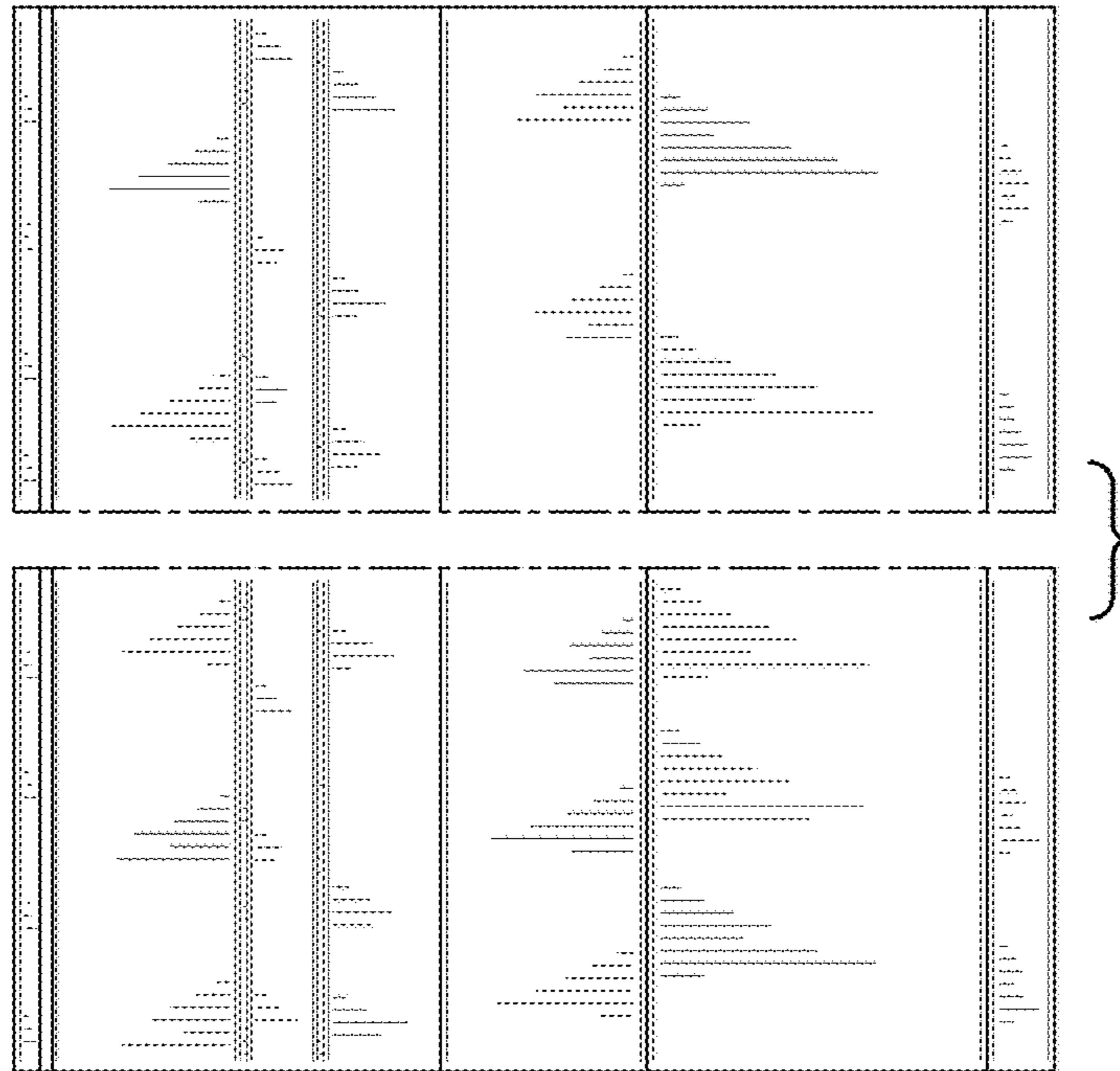


FIG. 6

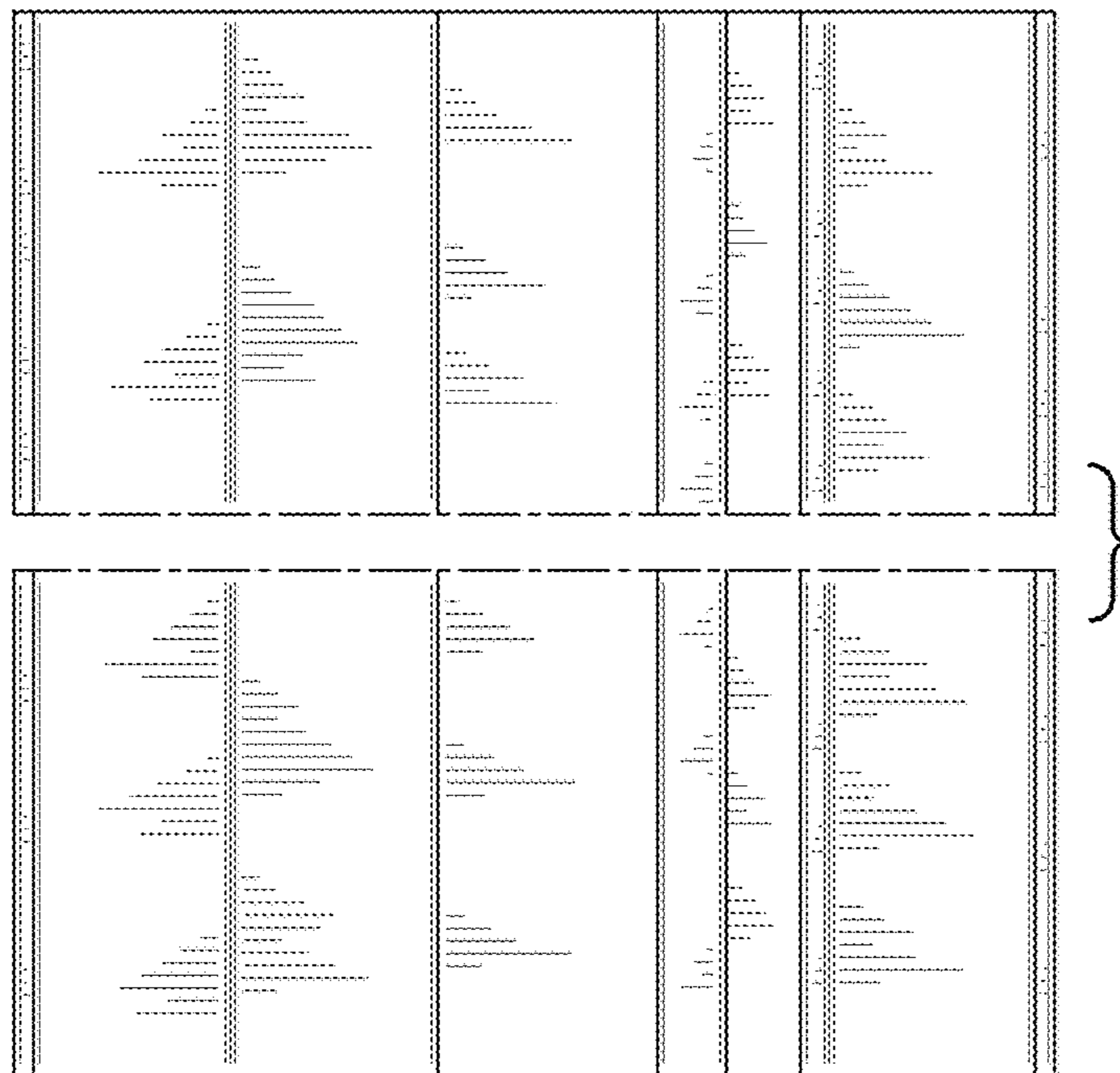


FIG. 7