



US00D795454S

(12) **United States Design Patent** (10) **Patent No.:** **US D795,454 S**  
**Curtin et al.** (45) **Date of Patent:** **\*\* Aug. 22, 2017**

(54) **ELONGATED STRUCTURAL STRUT FOR CEILING GRIDS**

(71) Applicant: **TATE ACCESS FLOORS LEASING, INC.**, Wilmington (DE)

(72) Inventors: **Daniel J. Curtin**, Alexandria, VA (US); **William W. Reynolds**, Pasadena, MD (US); **Peter R. Strapp**, Silver Spring, MD (US)

(73) Assignee: **TATE ACCESS FLOORS LEASING, INC.**, Wilmington, DE (US)

(\*\*) Term: **15 Years**

(21) Appl. No.: **29/566,793**

(22) Filed: **Jun. 2, 2016**

(51) **LOC (10) Cl.** ..... **25-01**

(52) **U.S. Cl.**  
USPC ..... **D25/119**

(58) **Field of Classification Search**  
USPC ..... D25/38.1, 38.8, 47.1, 48.1-48.4, 55, 56, 52/58, 59, 61, 119-132, 138, 139, 142, 52/143, 152, 153, 159, 164; 52/204.1, 52/204.5, 208, 209, 204.53, 211, 212, 52/213, 217, 254, 255, 287.1, 293.3, 52/302.6, 443, 444, 716.1, 716.2, 716.6, 52/716.7, 716.8, 717.01, 717.03; D6/300, D6/325, 572, 702; D8/377, 381; D26/118, 138, 141, 142  
CPC . A47B 96/068; A47B 96/07; E04B 2001/405; E04C 2003/0413; E04C 2003/0465; E04C 2003/043; E04C 3/00; E04C 3/04; E04C 3/005; E04C 3/02; E04C 3/0473; E04C 3/07; E04C 3/30; E04C 3/32; E04H 2004/146; E04H 2004/147; E04H 4/12; E04H 4/0075; E04H 4/1227; E04H 4/14; E04H 4/141; E04H 4/142

See application file for complete search history.

(56) **References Cited**

U.S. PATENT DOCUMENTS

D98,067 S *	1/1936	Hendrickson	.....	D25/122
D326,403 S *	5/1992	Kleiss	.....	D25/121
D353,209 S *	12/1994	Dallaire	.....	D25/123
D378,424 S *	3/1997	Leonelli	.....	D25/122
D382,651 S *	8/1997	Colitto	.....	D25/122
D424,213 S *	5/2000	Chaney	.....	D25/122
D427,326 S *	6/2000	Bevan	.....	D25/121
D427,327 S *	6/2000	Bevan	.....	D25/121
6,073,414 A *	6/2000	Garris	.....	E04C 3/07 52/694
D427,694 S *	7/2000	Bevan	.....	D25/121
D572,372 S *	7/2008	Koch	.....	B66C 7/02 D25/38.1

(Continued)

*Primary Examiner* — Cynthia Ramirez

*Assistant Examiner* — Llorellys Martinez-Rivera

(74) *Attorney, Agent, or Firm* — Oliff PLC

(57) **CLAIM**

The ornamental design for an elongated structural strut for ceiling grids, as shown and described.

**DESCRIPTION**

FIG. 1 is a top perspective view of an elongated structural strut for ceiling grids showing our new design.

FIG. 2 is a front elevation view thereof, the rear elevation view being a mirror image thereof.

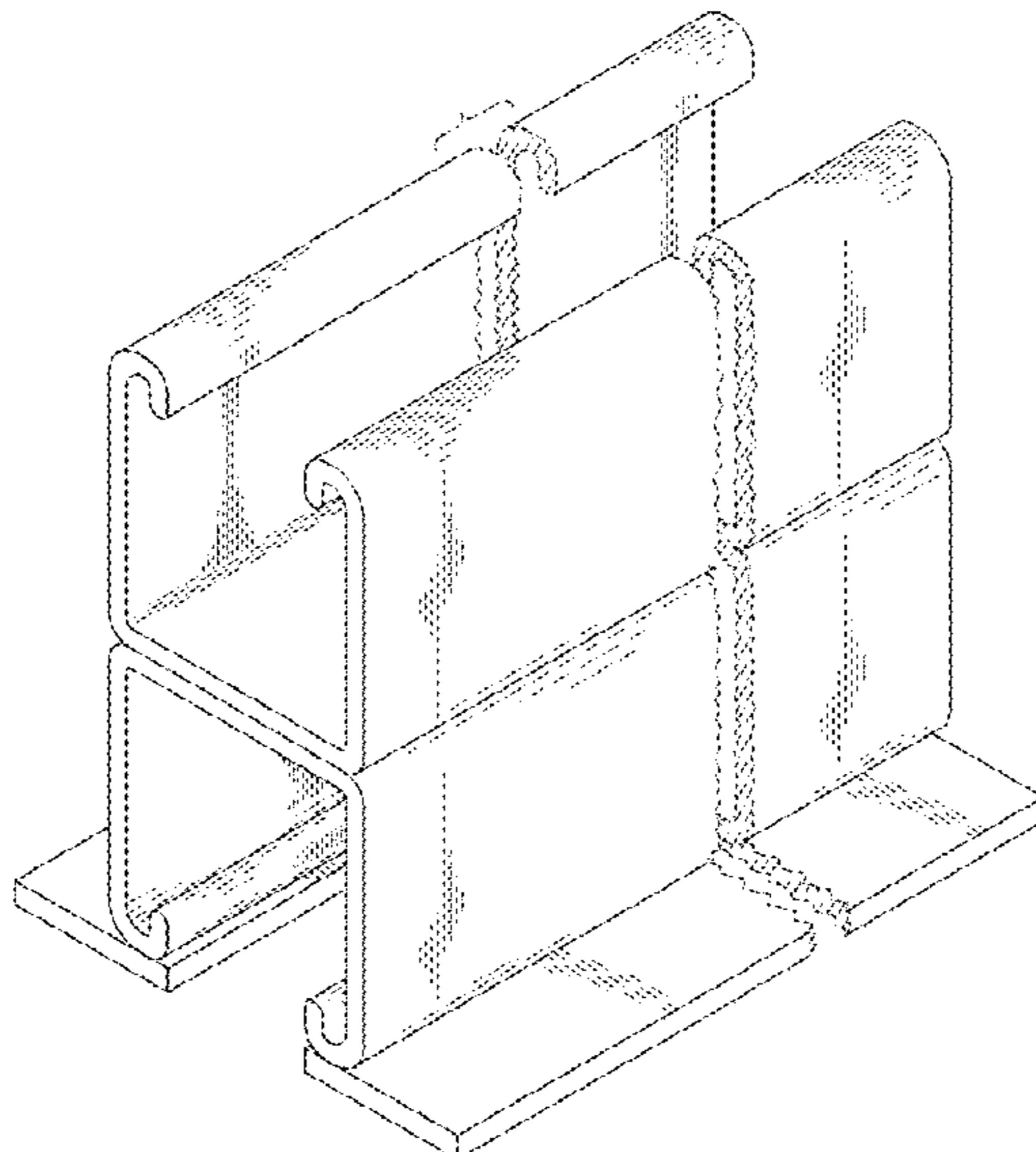
FIG. 3 is a top plan view thereof.

FIG. 4 is a right side elevation view thereof, the left side elevation view being a mirror image thereof; and,

FIG. 5 is a bottom plan view thereof.

The elongated structural strut for ceiling grids is shown with a symbolic break in its length. The appearance of any portion of the elongated structural strut for ceiling grids between the jagged break lines forms no part of the claimed design.

**1 Claim, 5 Drawing Sheets**



(56)

**References Cited**

U.S. PATENT DOCUMENTS

D574,509 S *	8/2008	Koch .....	B66C 7/02 D25/38.1
D598,574 S *	8/2009	Bergmann .....	D25/122
D616,567 S *	5/2010	Desrosiers .....	D25/122
D616,568 S *	5/2010	Desrosiers .....	D25/122
D631,171 S *	1/2011	Konrad .....	D25/124
D702,875 S *	4/2014	Klus .....	D25/122
D732,698 S *	6/2015	Meng .....	D25/61
D736,955 S *	8/2015	Divall .....	D25/122
2014/0230363 A1 *	8/2014	Tak .....	E04C 3/02 52/831

\* cited by examiner

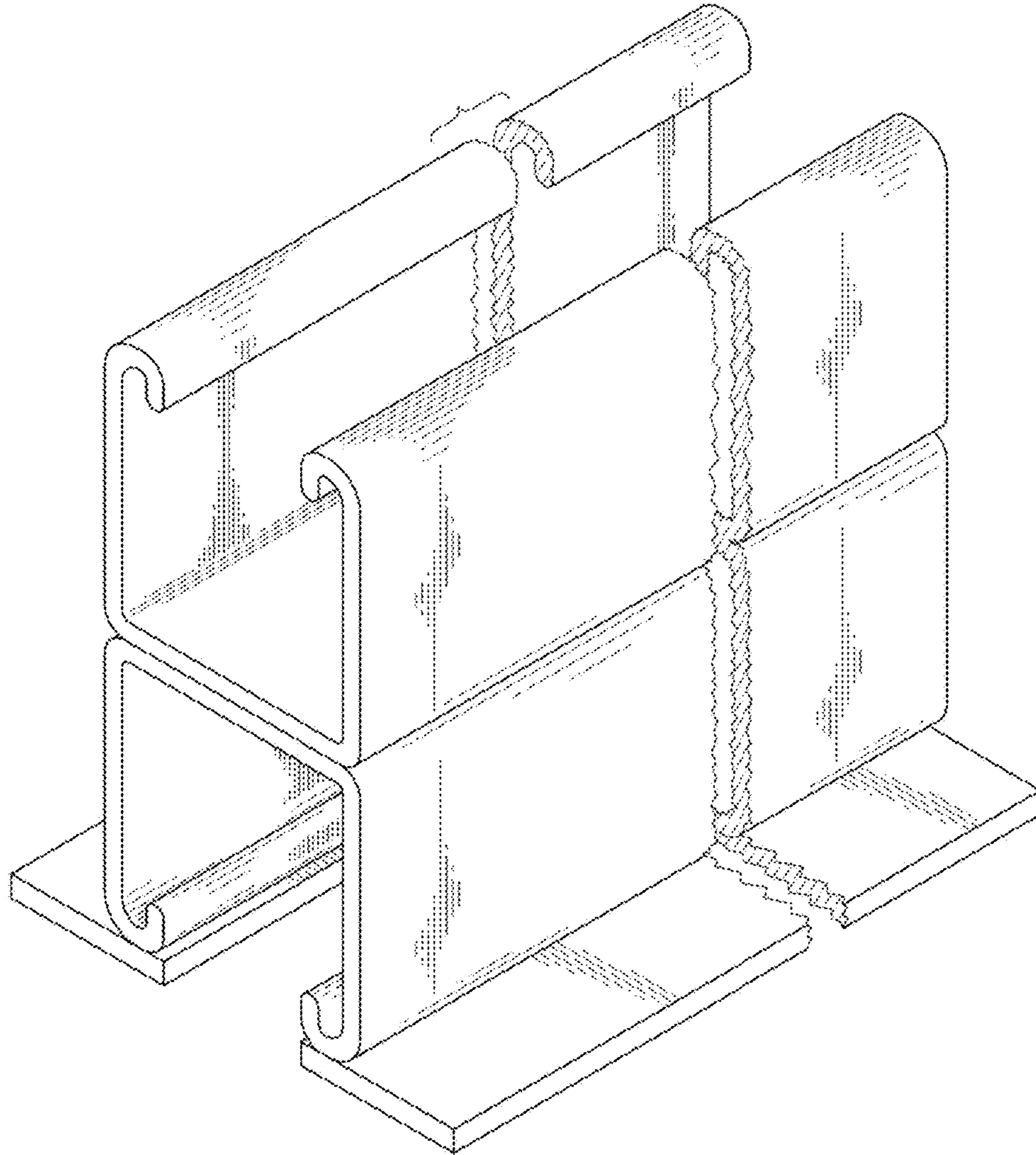


FIG. 1

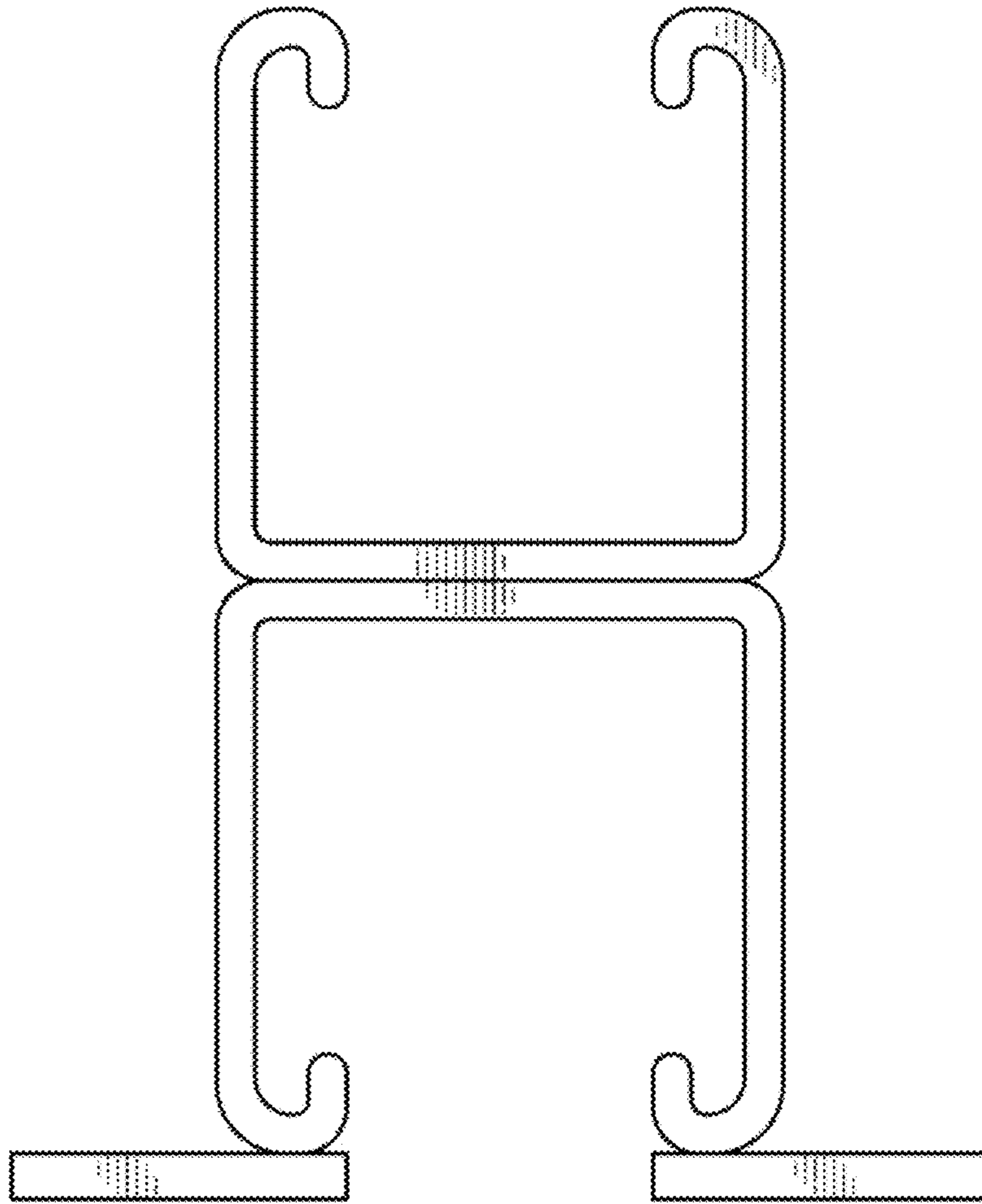


FIG. 2

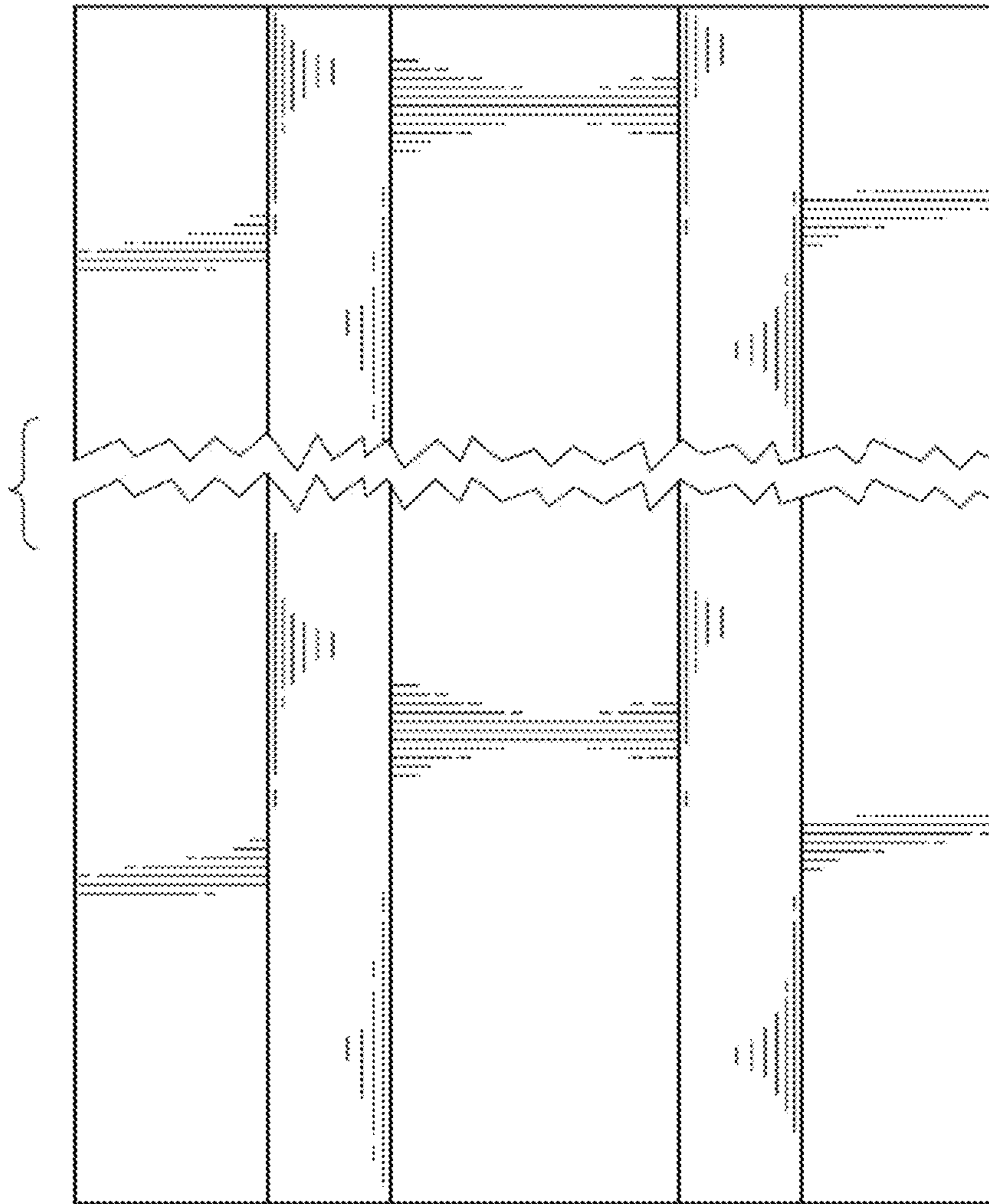


FIG. 3

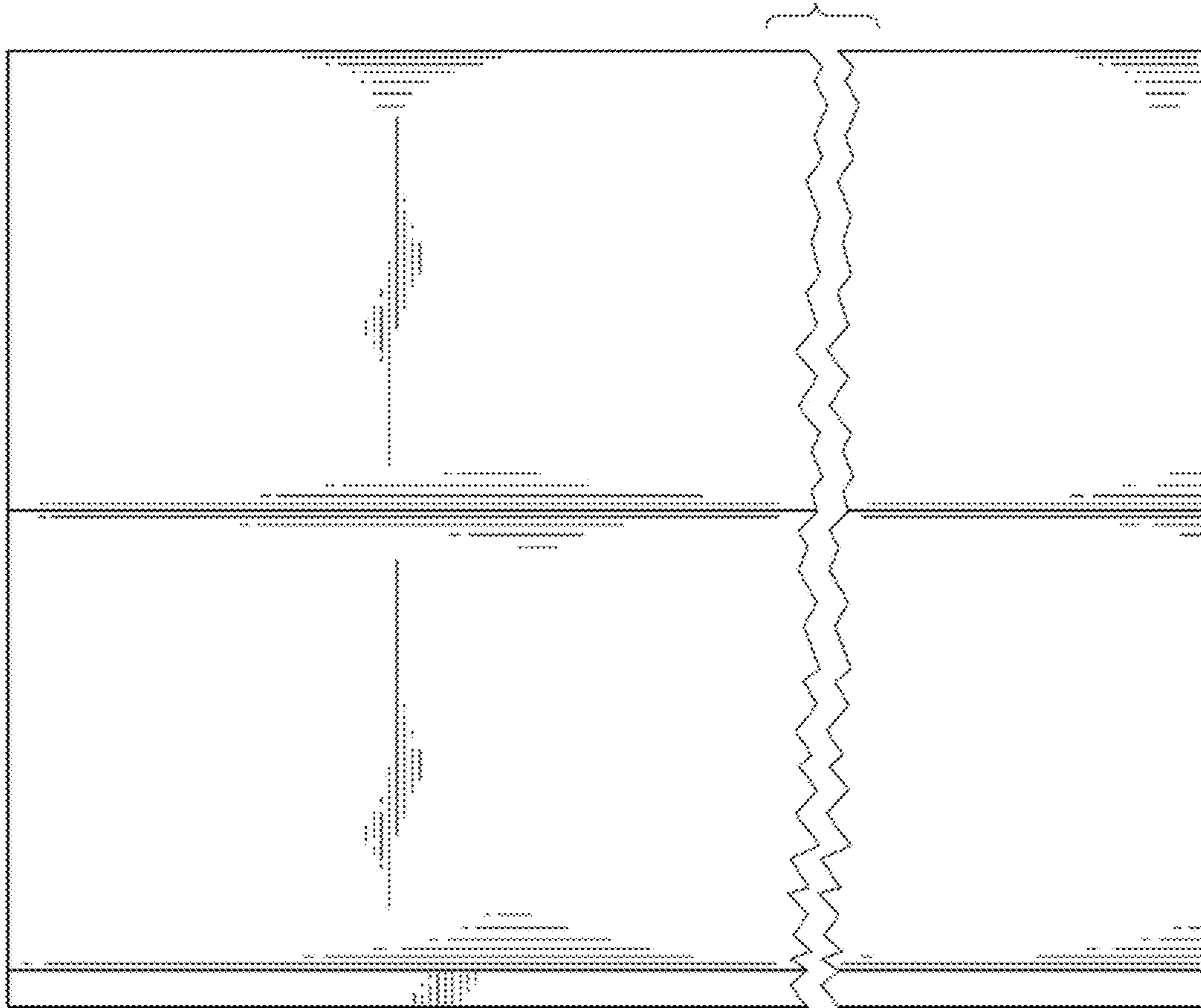


FIG. 4

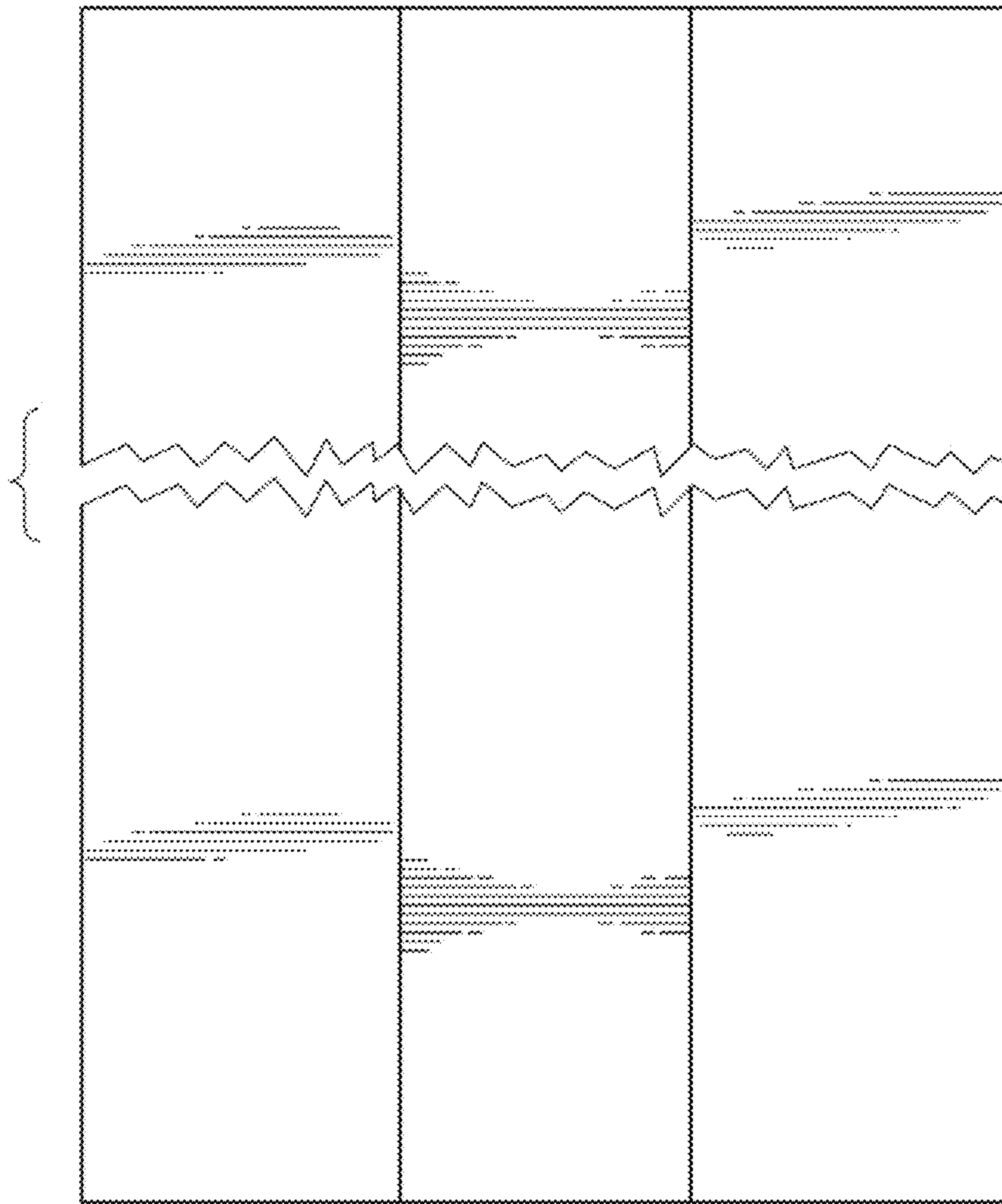


FIG. 5