



US00D795451S

(12) **United States Design Patent** (10) **Patent No.:** **US D795,451 S**
Tel-Oren et al. (45) **Date of Patent:** **** Aug. 22, 2017**

(54) **MODULAR T BUILDING**
(71) Applicant: **Biotekt USA LLC**, Colfax, WI (US)
(72) Inventors: **Adiel Tel-Oren**, Colfax, WI (US);
Manuel Lago Granger, Cali (CO)
(73) Assignee: **BIOTEKT USA, LLC**, Colfax, WI (US)

4,700,514 A * 10/1987 Reineman E04B 1/3205
52/80.1
4,848,048 A * 7/1989 Mairlot A01G 9/1476
52/222
4,876,828 A * 10/1989 Brill E04B 1/3205
52/222
4,885,879 A * 12/1989 Plantier E01F 7/02
52/299
4,894,962 A * 1/1990 Conn E04B 1/3205
52/108

(Continued)

(**) Term: **15 Years**
(21) Appl. No.: **29/562,404**
(22) Filed: **Apr. 26, 2016**
(51) **LOC (10) Cl.** **25-03**
(52) **U.S. Cl.**
USPC **D25/18**
(58) **Field of Classification Search**
USPC D25/17, 18, 32, 36, 55, 61, 123, 199
CPC .. E04B 1/3205; E04B 1/3211; E04B 1/34315;
E04D 13/15; E04F 19/02
See application file for complete search history.

FOREIGN PATENT DOCUMENTS

CO 29874 12/2013
Primary Examiner — Manpreet S Matharu
Assistant Examiner — Suzanne E Tisdell
(74) *Attorney, Agent, or Firm* — Dietz Law Office LLC

(57) **CLAIM**

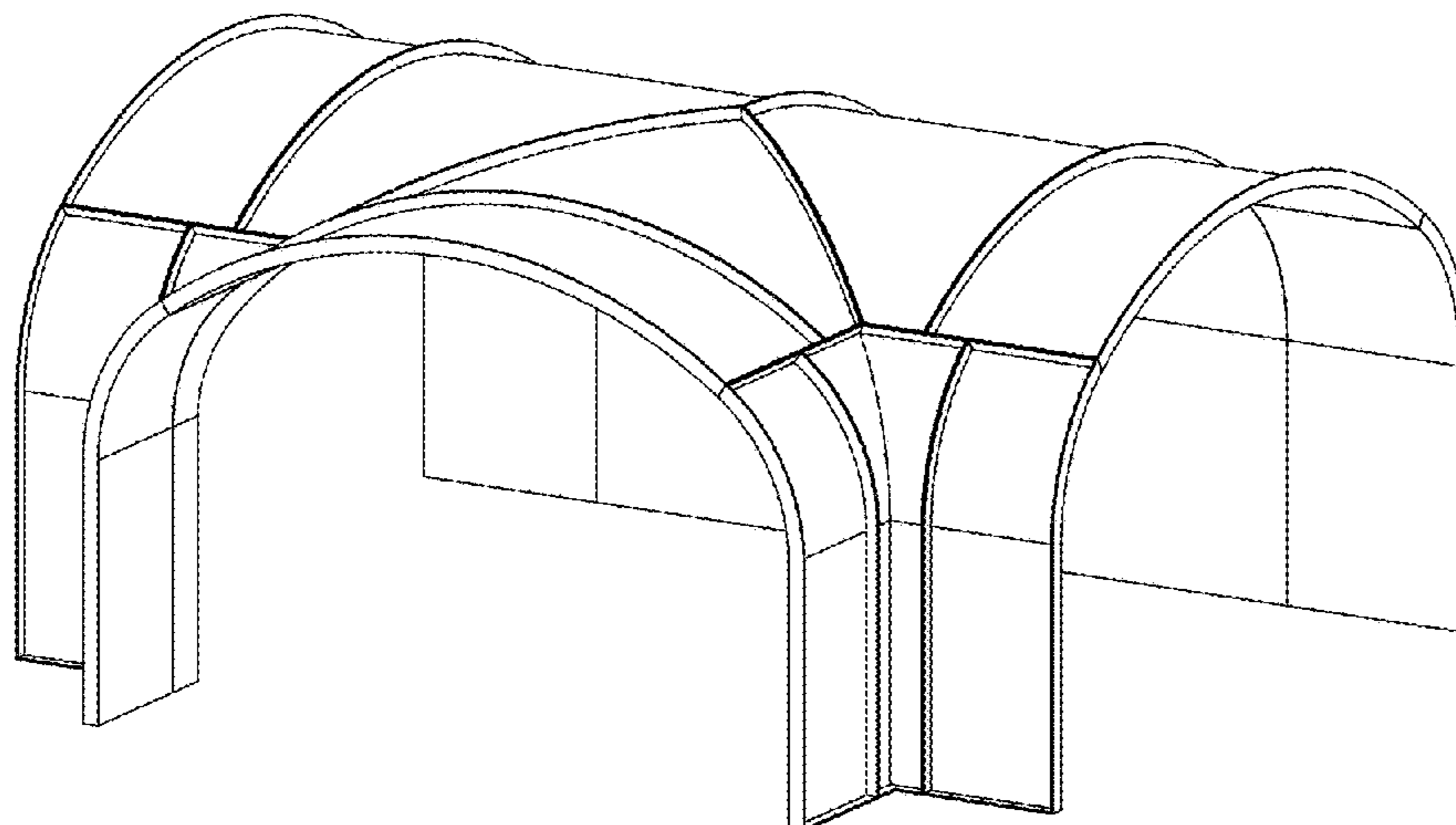
The ornamental design for a modular T building, as shown and described.

DESCRIPTION

FIG. 1 is a front upper perspective view of the modular T building of the present invention;
FIG. 2 is a front elevational view of the modular T building of the present invention shown in FIG. 1;
FIG. 3 is a back elevational view of the modular T building of the present invention shown in FIG. 1;
FIG. 4 is a left side elevational view of the modular T building of the present invention shown in FIG. 1;
FIG. 5 is a right side elevational view of the modular T building of the present invention shown in FIG. 1;
FIG. 6 is a top plan view of the modular T building of the present invention shown in FIG. 1;
FIG. 7 is a bottom plan view of the modular T building of the present invention shown in FIG. 1; and,
FIG. 8 is a back lower perspective view of the modular T building of the present invention shown in FIG. 1.

1 Claim, 8 Drawing Sheets

(56) **References Cited**
U.S. PATENT DOCUMENTS
3,802,133 A * 4/1974 Gregory E04B 1/3205
135/97
3,828,492 A * 8/1974 Schliemann E04C 2/32
52/245
3,943,672 A * 3/1976 O'Sheeran E04B 1/28
52/73
3,968,604 A * 7/1976 Hills E04B 1/3205
52/745.07
4,011,697 A * 3/1977 Fedolfi E04B 1/24
52/45.01
4,221,100 A * 9/1980 Lindblad E04B 1/3205
52/745.07
4,653,238 A * 3/1987 Berman E04B 1/18
52/236.2
4,655,013 A * 4/1987 Ritland E04B 1/14
52/127.9



(56)

References Cited

U.S. PATENT DOCUMENTS

5,233,799 A * 8/1993 Abukawa B21D 5/08
52/53
D430,306 S * 8/2000 Goldwitz D25/61
D432,683 S * 10/2000 Ullrich D25/135
6,161,342 A * 12/2000 Barbier E02D 29/05
405/124
6,243,994 B1 * 6/2001 Bernini E02D 29/045
14/26
6,434,891 B1 * 8/2002 Cameron E04B 1/3205
52/86
D582,054 S * 12/2008 Moller D25/199
D588,715 S * 3/2009 Funk D25/121
D659,851 S * 5/2012 Vanleysen D25/18
D683,048 S 5/2013 Yoder et al.
D683,415 S * 5/2013 Yurianto D21/839
D683,469 S 5/2013 Yoder et al.
D708,348 S 7/2014 Yoder et al.
D708,349 S 7/2014 Yoder et al.
D727,531 S 4/2015 Gill et al.
9,021,750 B1 * 5/2015 Matulin E04B 1/34321
52/79.4
D771,477 S * 11/2016 Anderson D25/121
D785,204 S * 4/2017 Koo D25/61
2004/0031210 A1 * 2/2004 Kjorsvik E04F 19/02
52/58
2007/0289228 A1 * 12/2007 Key E04B 1/3205
52/86
2008/0060284 A1 * 3/2008 Barry E04B 1/3211
52/80.1
2014/0259995 A1 * 9/2014 White A01G 9/16
52/173.1

* cited by examiner

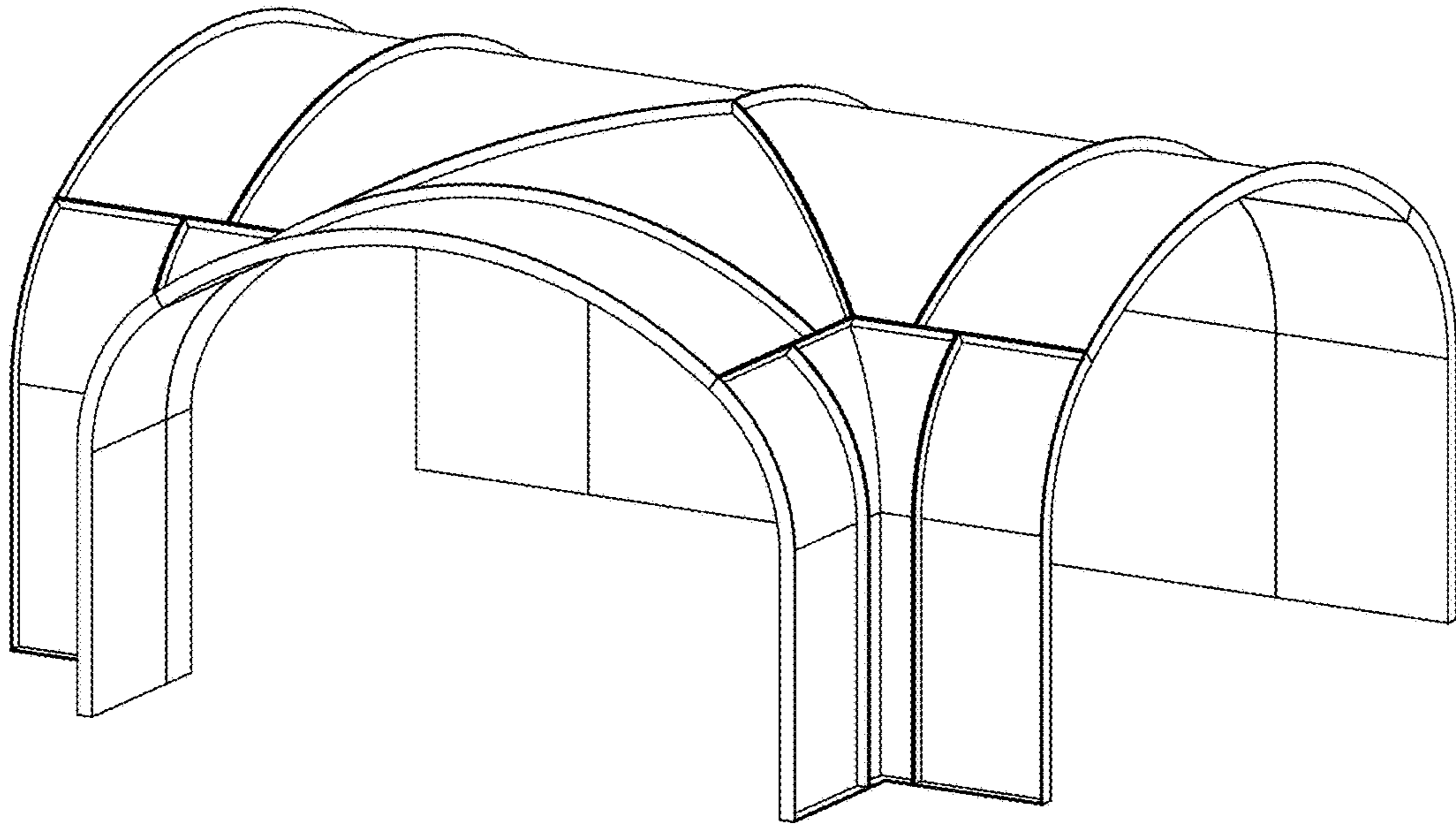


FIG. 1

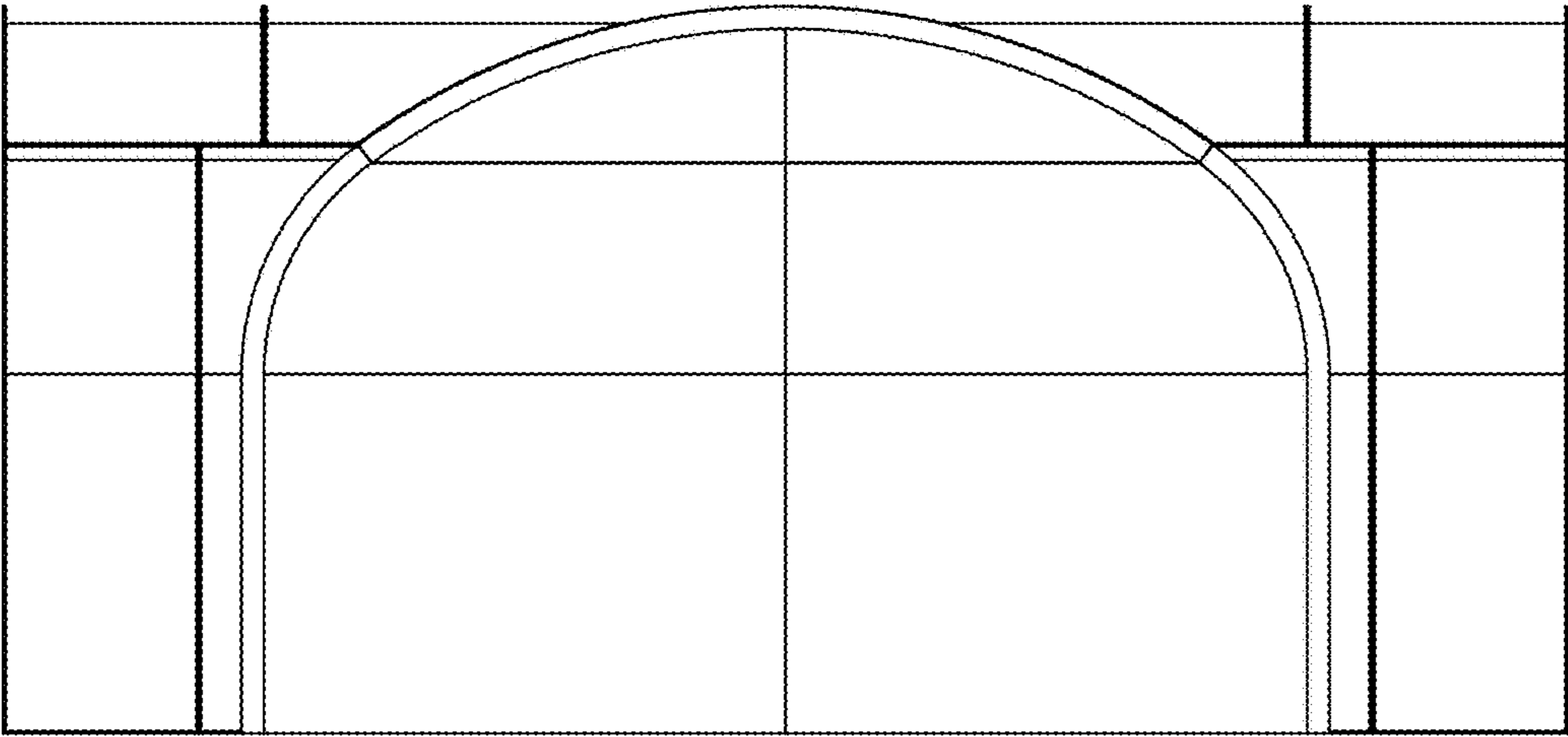


FIG. 2

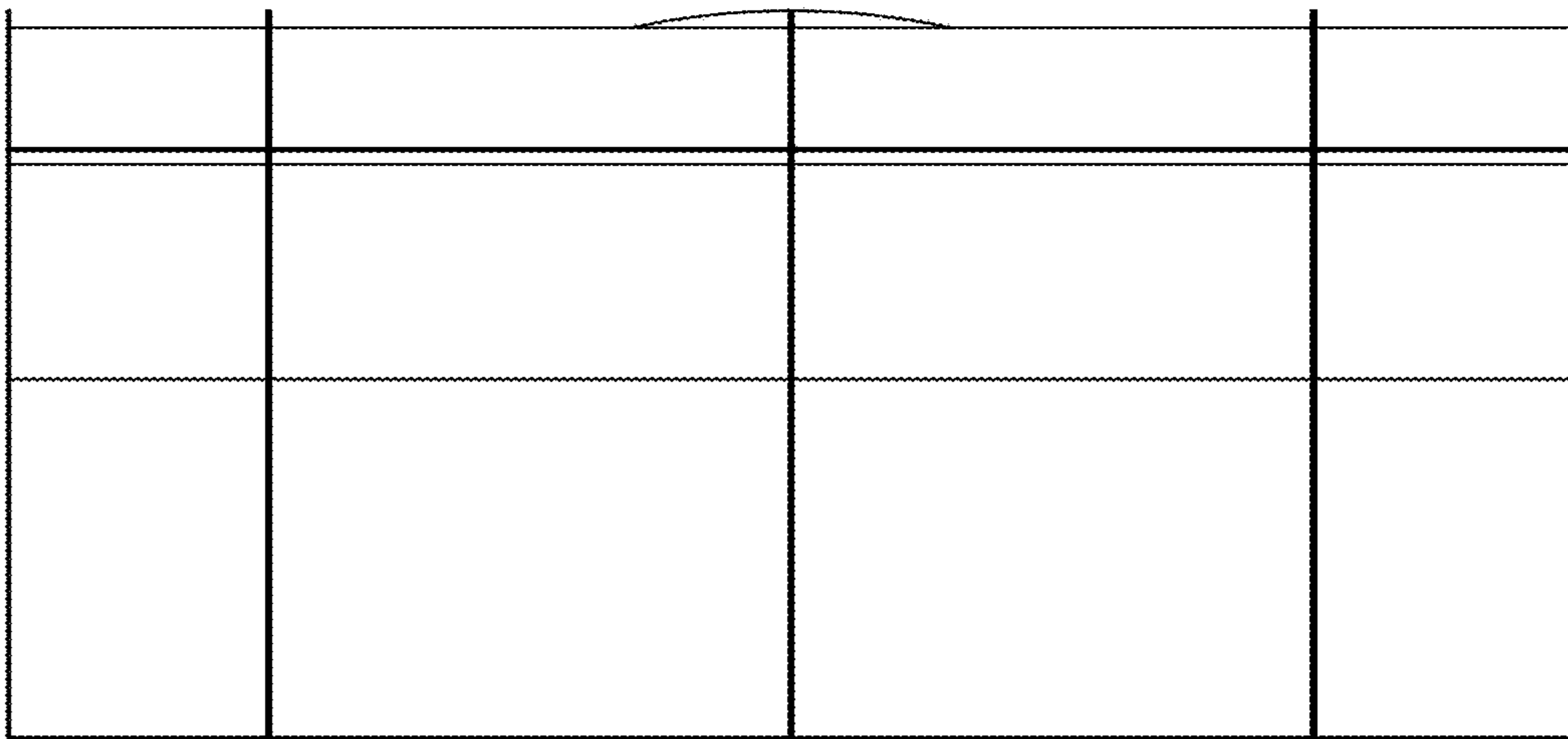


FIG. 3

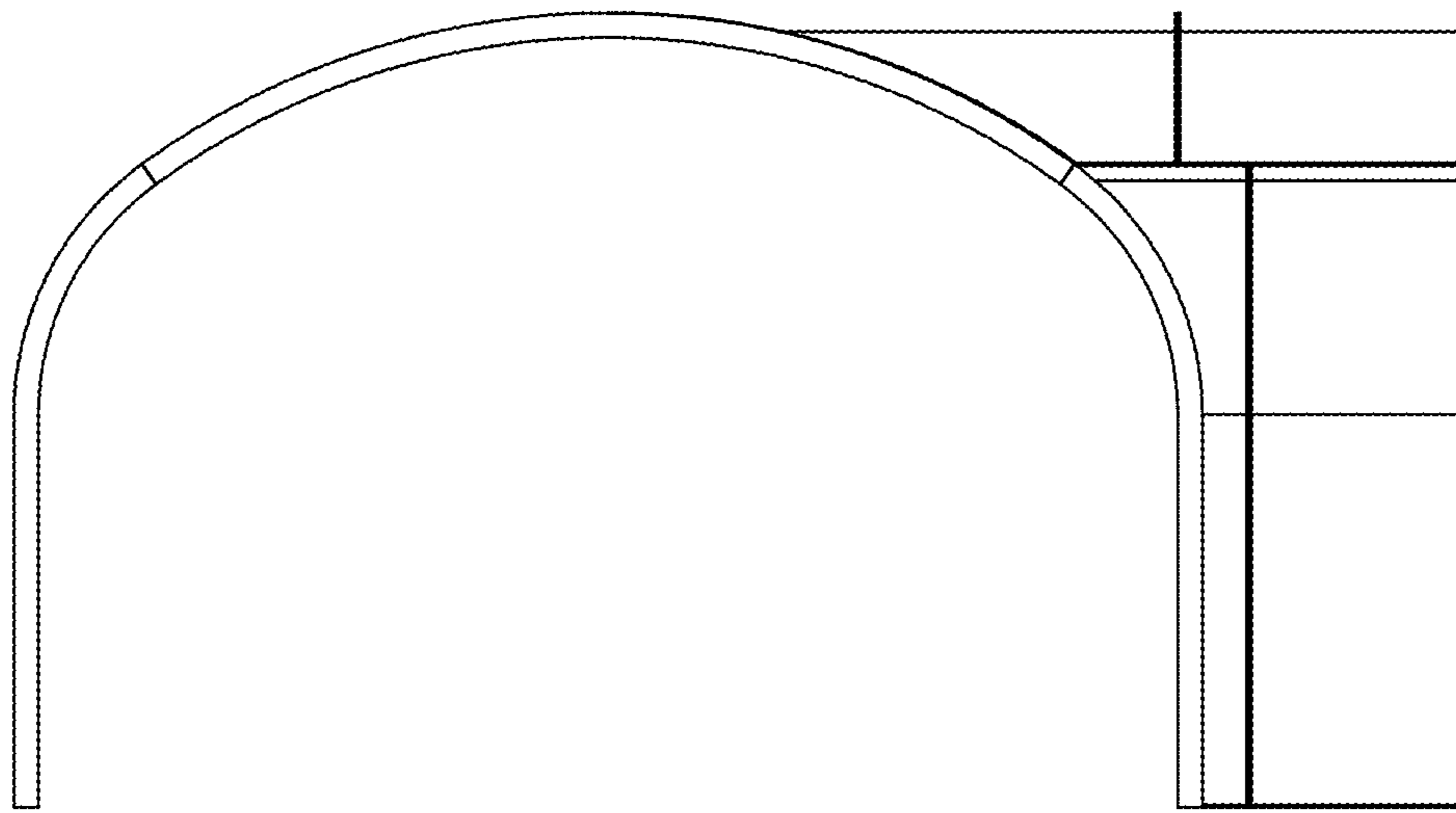


FIG. 4

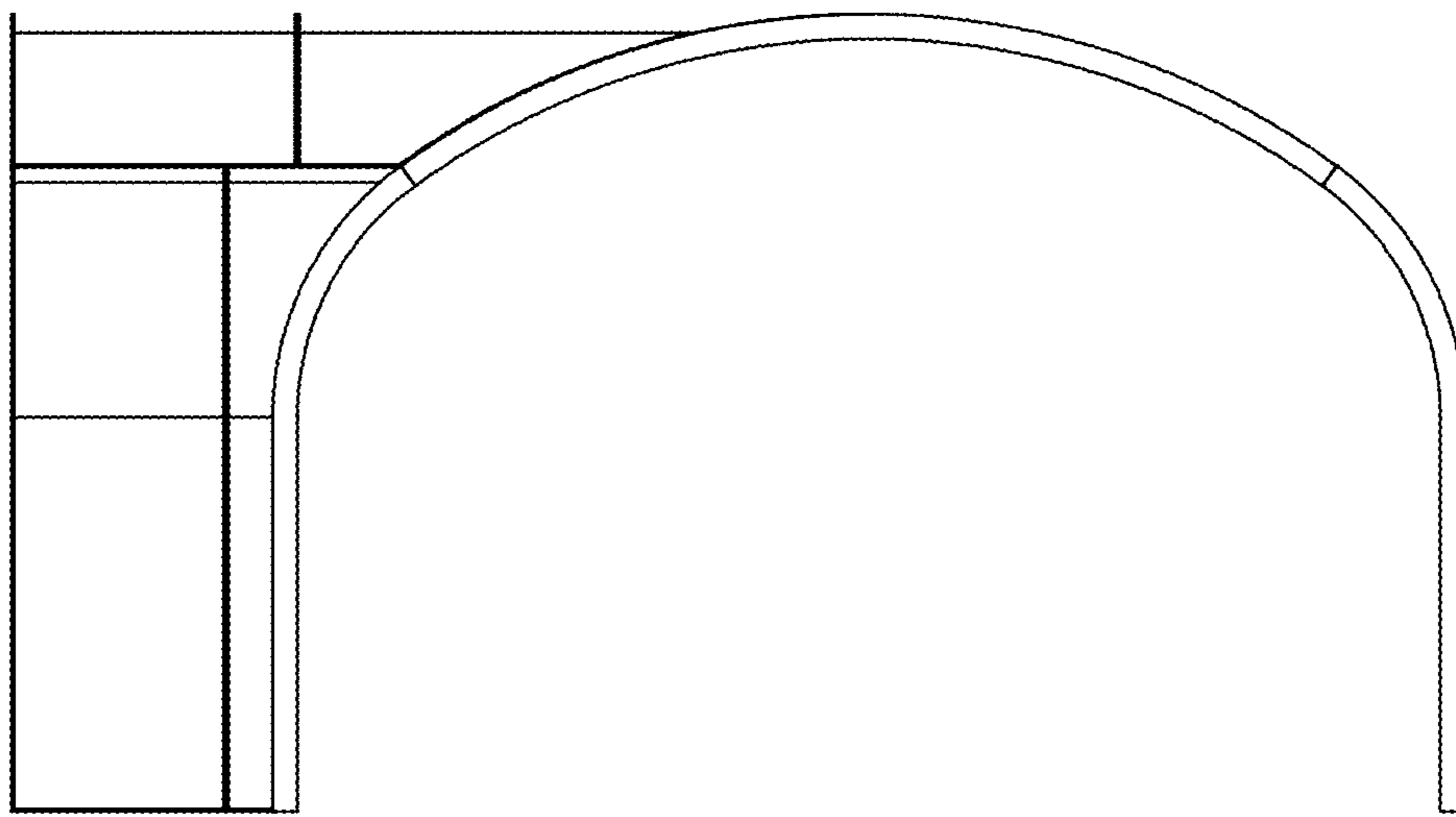


FIG. 5

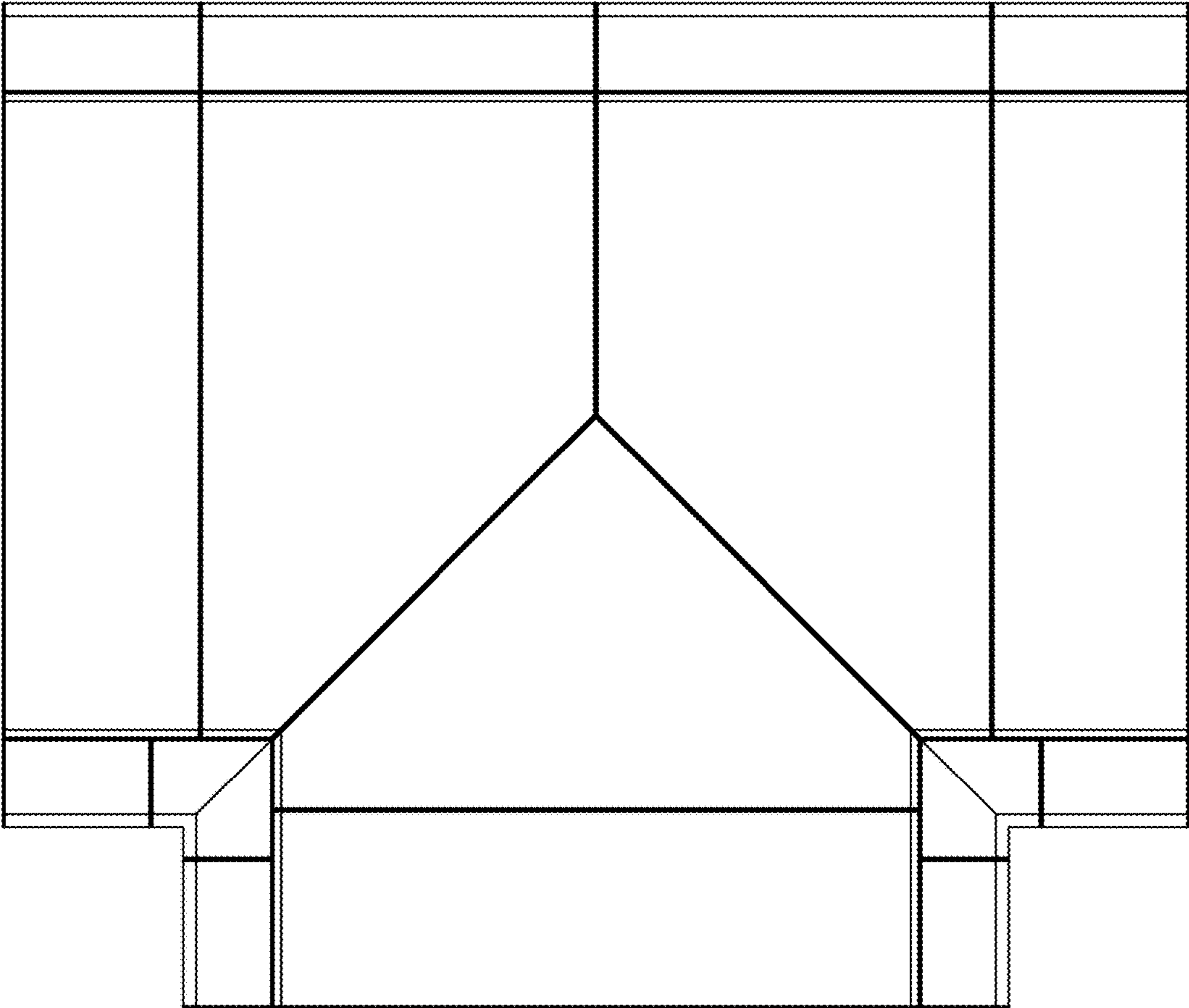


FIG. 6

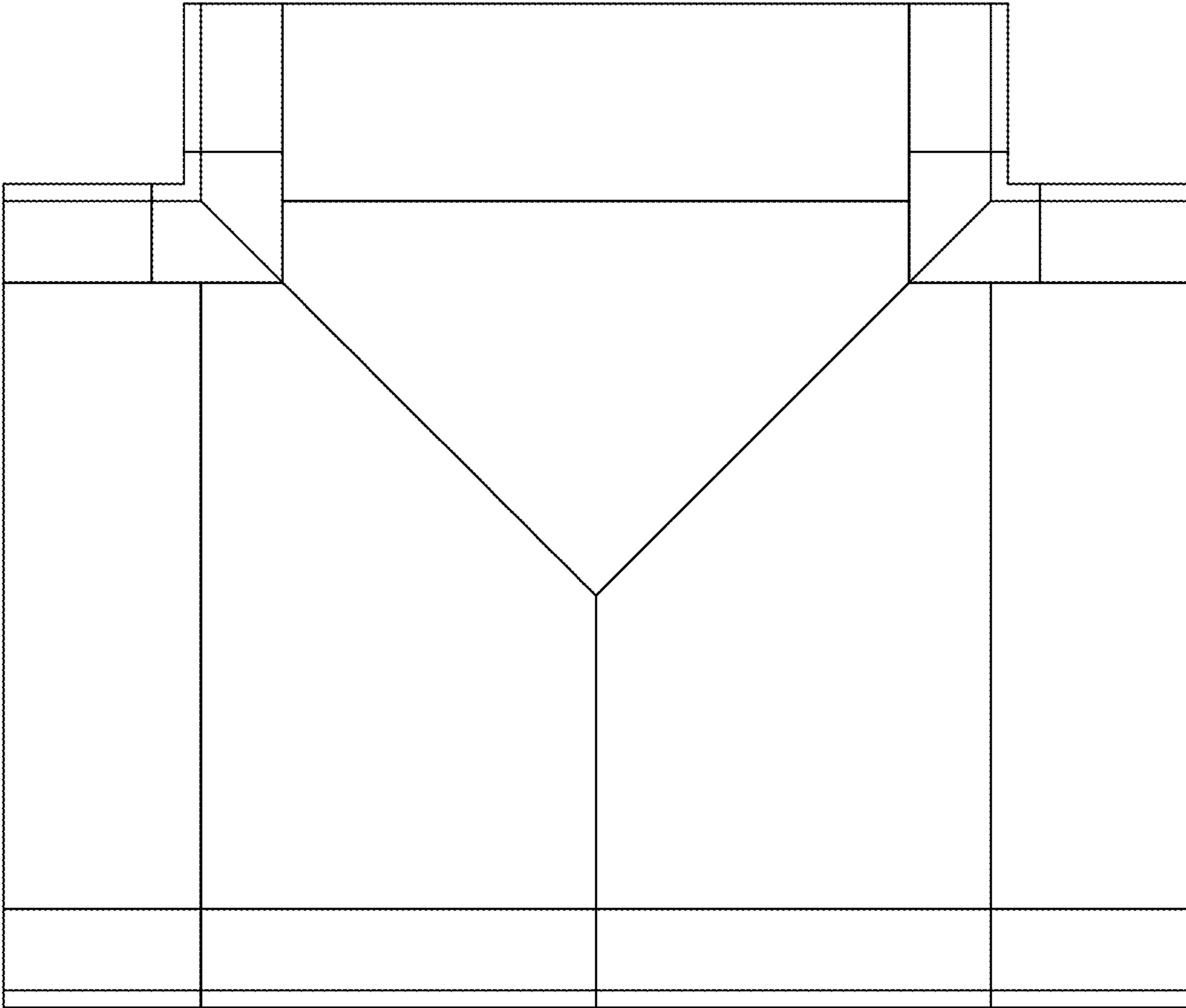


FIG. 7

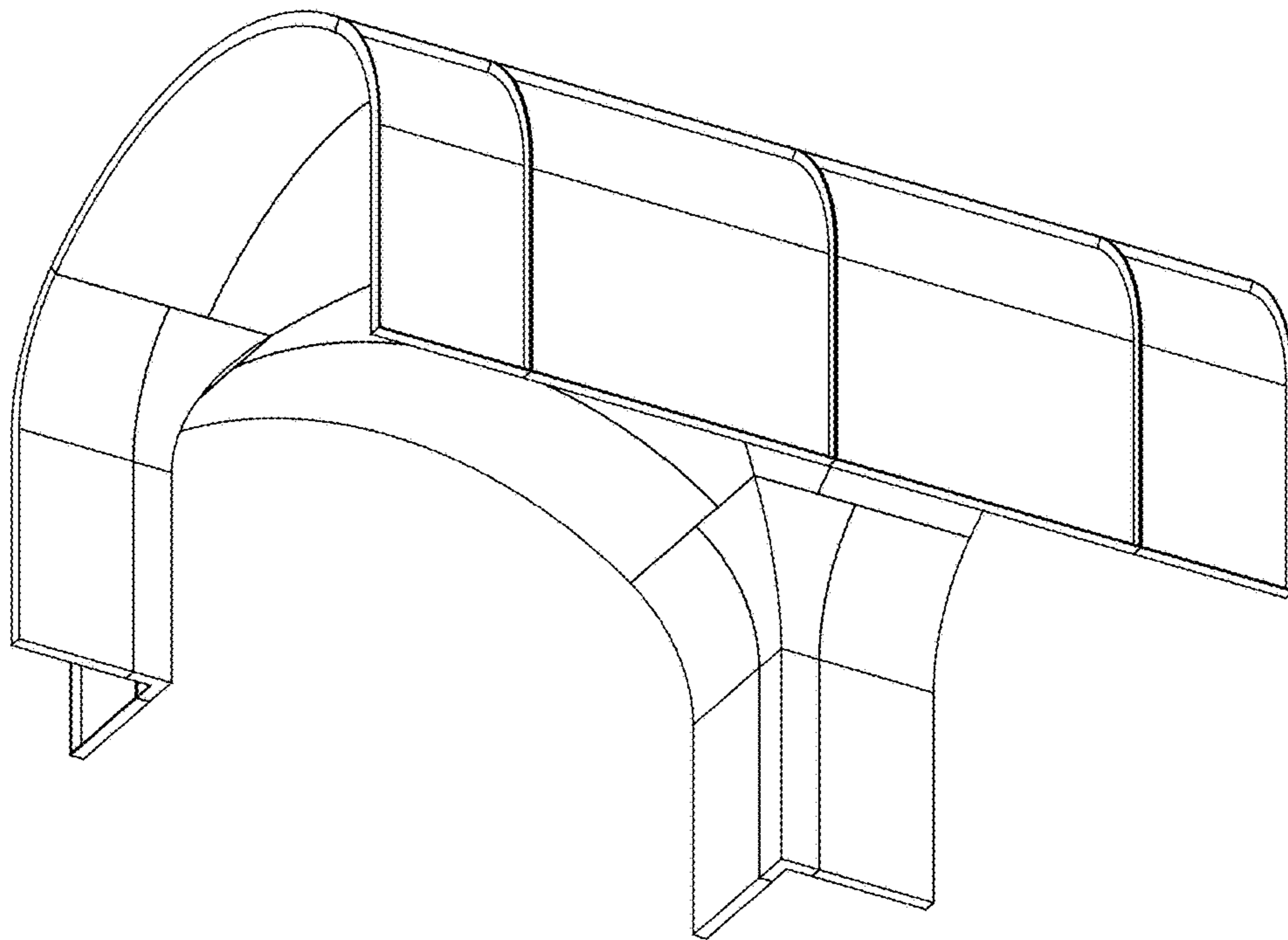


FIG. 8