



US00D795448S

(12) **United States Design Patent** (10) **Patent No.:** **US D795,448 S**
Zhou et al. (45) **Date of Patent:** **** Aug. 22, 2017**

(54) **BURETTE**
(71) Applicant: **Kyphon SÀRL**, Neuchâtel (CH)
(72) Inventors: **Zhifeng Zhou**, Toronto (CA); **Robert Harrison**, Milton (CA)
(73) Assignee: **Kyphon SÀRL**, Neuchâtel (CH)
(**) Term: **15 Years**
(21) Appl. No.: **29/539,671**
(22) Filed: **Sep. 16, 2015**
(51) **LOC (10) Cl.** **28-03**
(52) **U.S. Cl.**
USPC **D24/222**
(58) **Field of Classification Search**
USPC D24/222-224, 216, 108, 113; D7/507,
D7/509, 510, 392.1; 422/501, 75, 920;
220/254.3, 703, 705, 711, 713, 714, 716,
220/717, 730
CPC B01L 3/02; B01L 3/0203
See application file for complete search history.

D640,388 S * 6/2011 Giraud D24/224
D642,864 S * 8/2011 Tobias D7/510
D690,826 S * 10/2013 Kuroda D24/224
D717,462 S * 11/2014 Wainwright D24/216
D728,816 S * 5/2015 Wainwright D24/216
D731,672 S * 6/2015 Kuroda D24/224
D732,338 S * 6/2015 Boroski D7/507
D755,013 S * 5/2016 Khubani D7/507

* cited by examiner

Primary Examiner — Susan Bennett Hattan
Assistant Examiner — Rebecca Tsehaye

(57) **CLAIM**

The ornamental design for a burette, as shown and described.

DESCRIPTION

FIG. 1 is a right, back and top perspective view of a burette, showing our new design;
FIG. 2 is a left, front and bottom perspective view of the burette of FIG. 1;
FIG. 3 is a right side view of the burette of FIG. 1;
FIG. 4 is a back view of the burette of FIG. 1;
FIG. 5 is a left side view of the burette of FIG. 1;
FIG. 6 is a front view of the burette of FIG. 1;
FIG. 7 is a top view of the burette of FIG. 1;
FIG. 8 is a bottom view of the burette of FIG. 1; and,
FIG. 9 is an exploded right, back and top perspective view of the burette of FIG. 1.

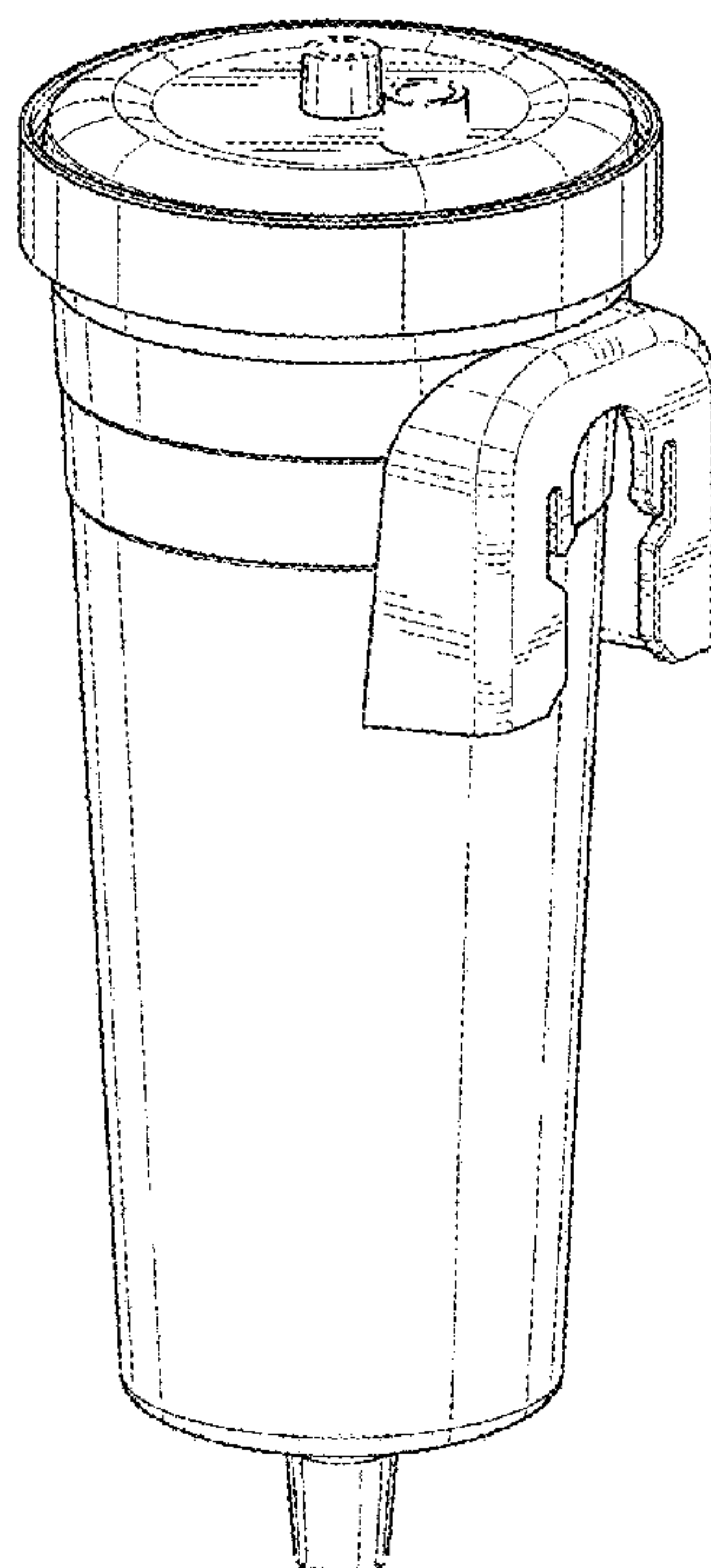
The broken lines in FIGS. 1-9 depict portions of the burette that form no part of the claimed design.

1 Claim, 5 Drawing Sheets

(56) **References Cited**

U.S. PATENT DOCUMENTS

D307,796 S * 5/1990 Hanifl D24/130
5,342,011 A * 8/1994 Short A61M 5/1415
248/121
D463,864 S * 10/2002 Treadwell D24/216
D591,417 S * 4/2009 Nichetti D24/108
D605,282 S * 12/2009 Nichetti D24/108



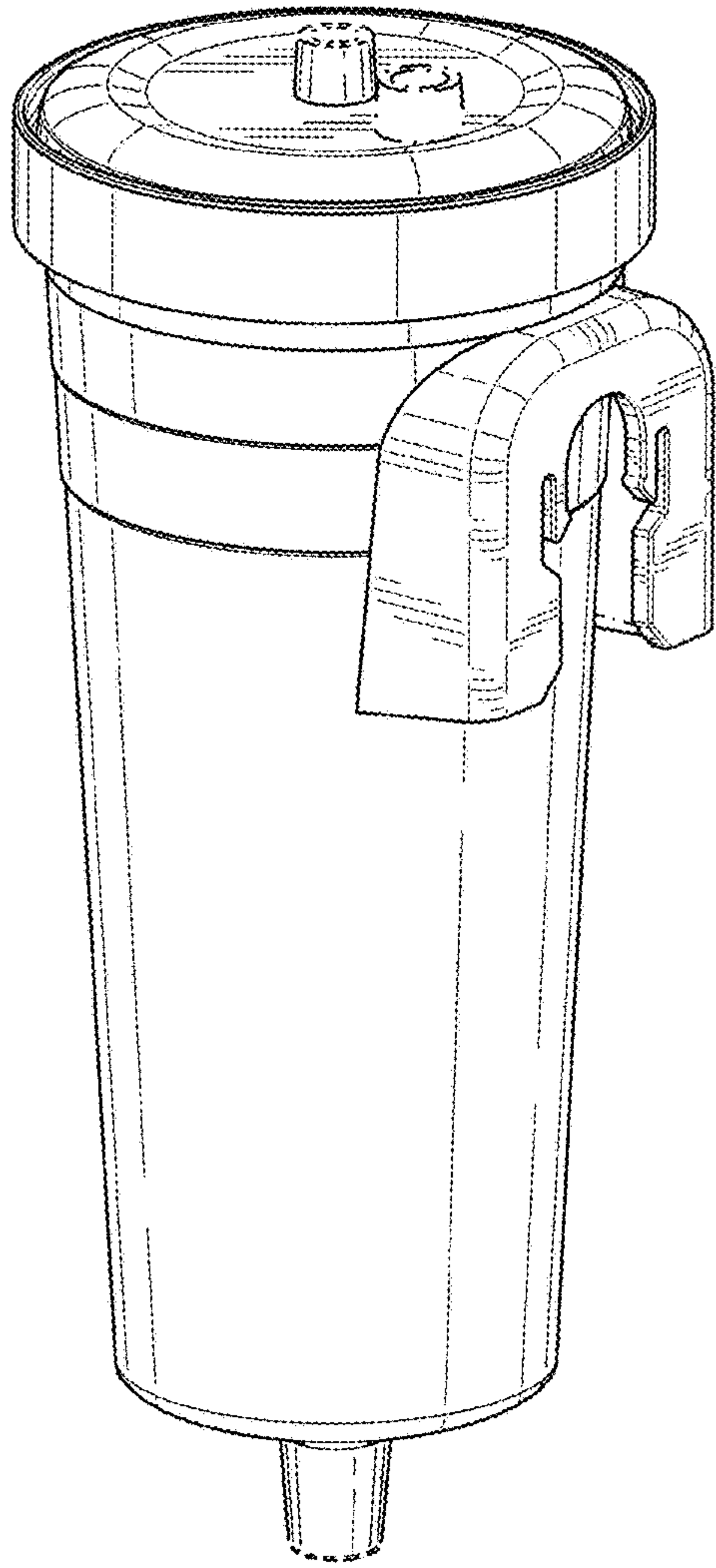


FIG. 1

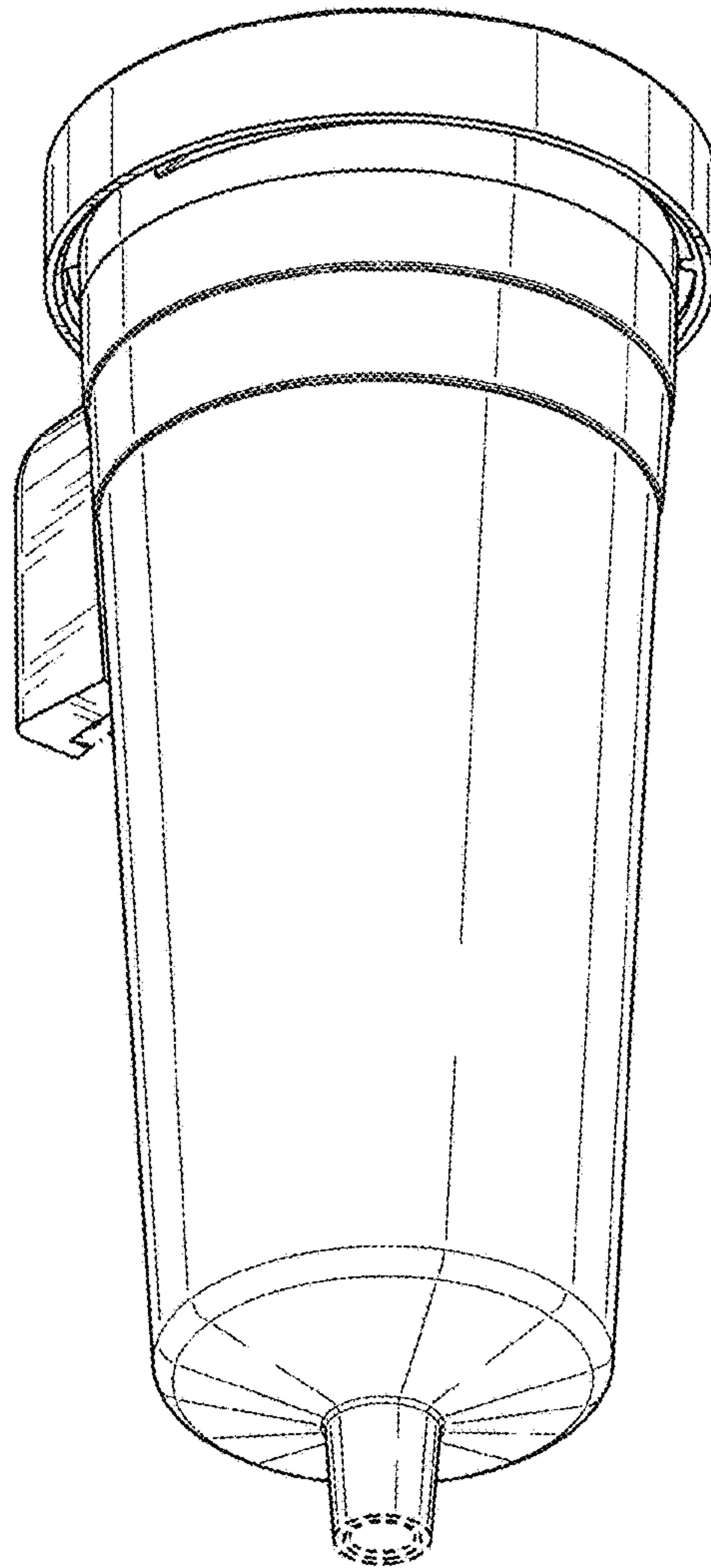


FIG. 2

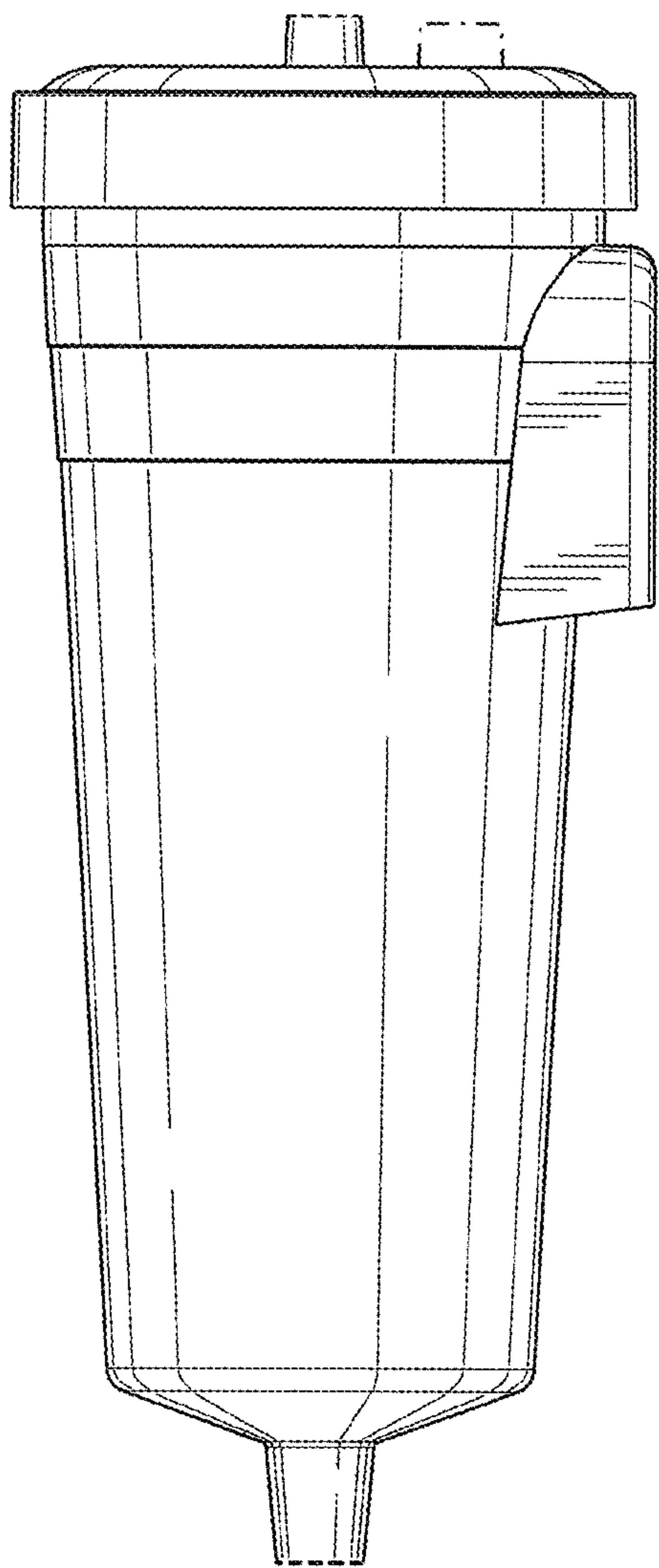


FIG. 3

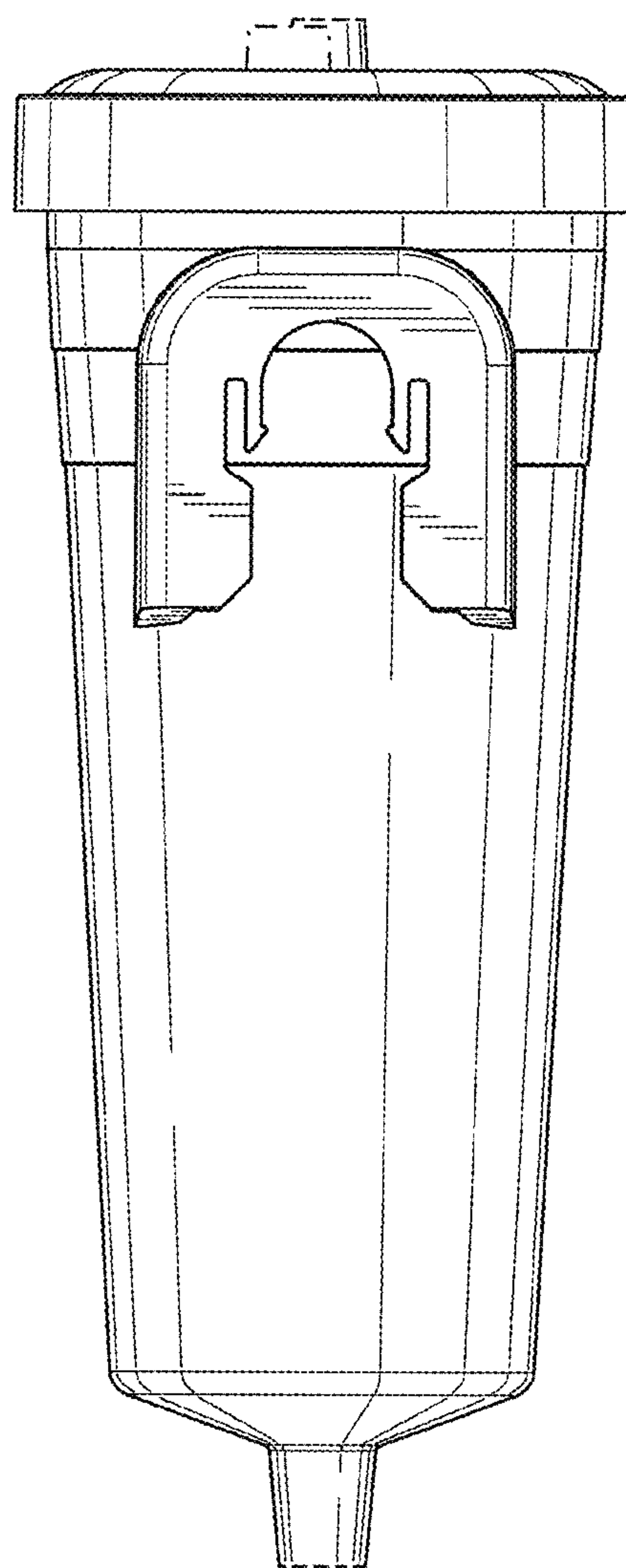


FIG. 4

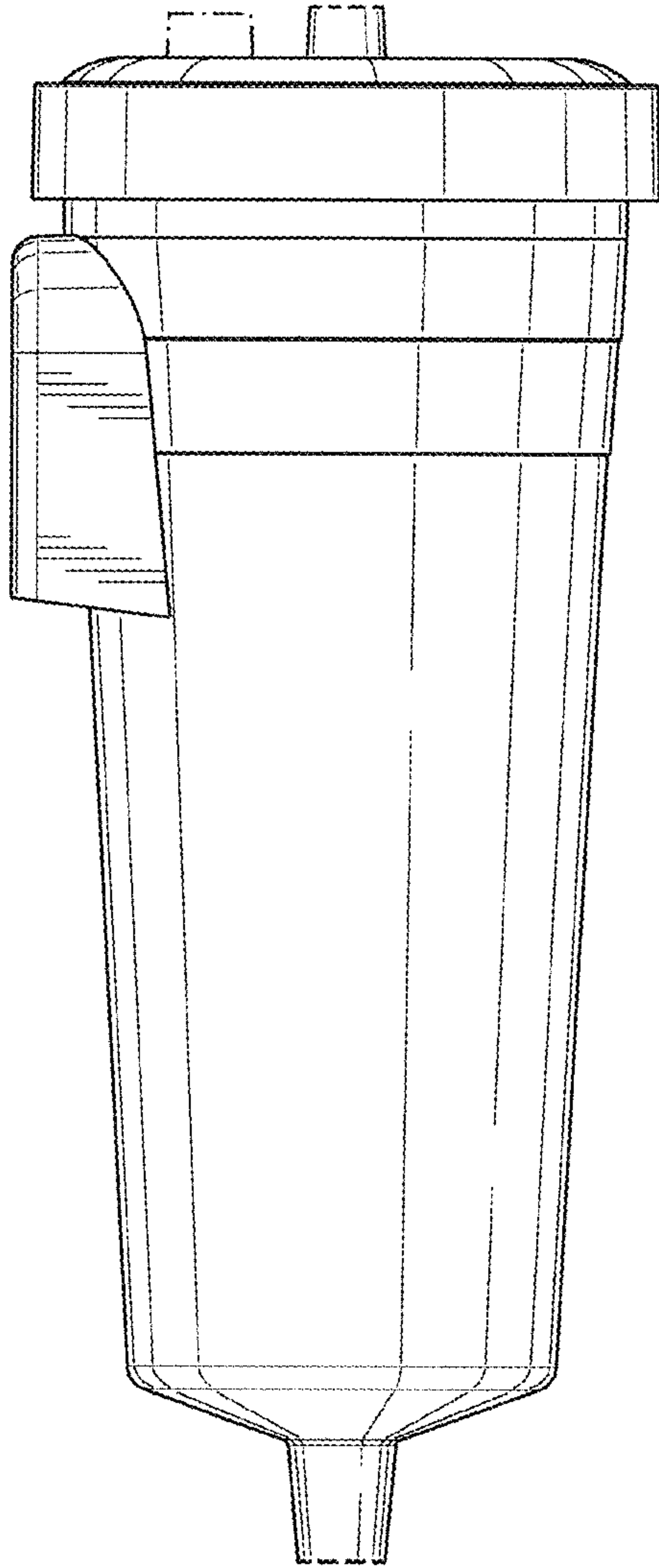


FIG. 5

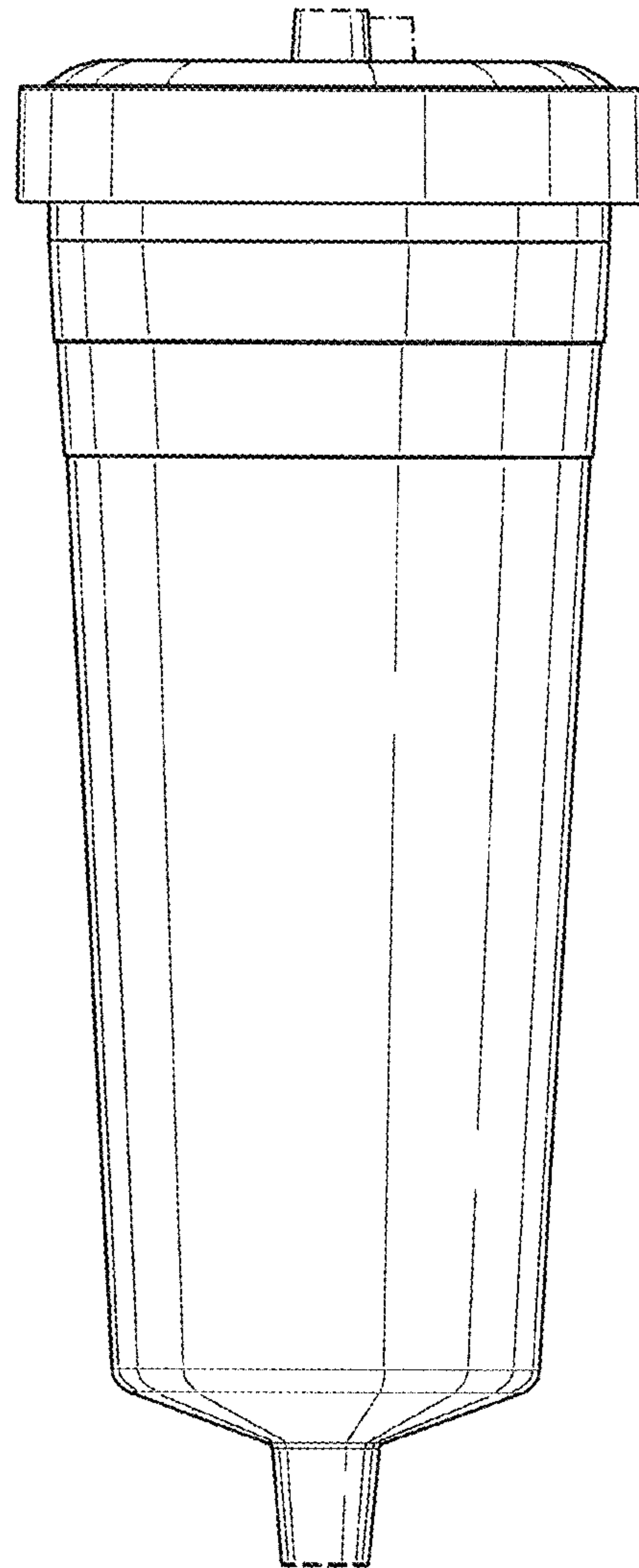


FIG. 6

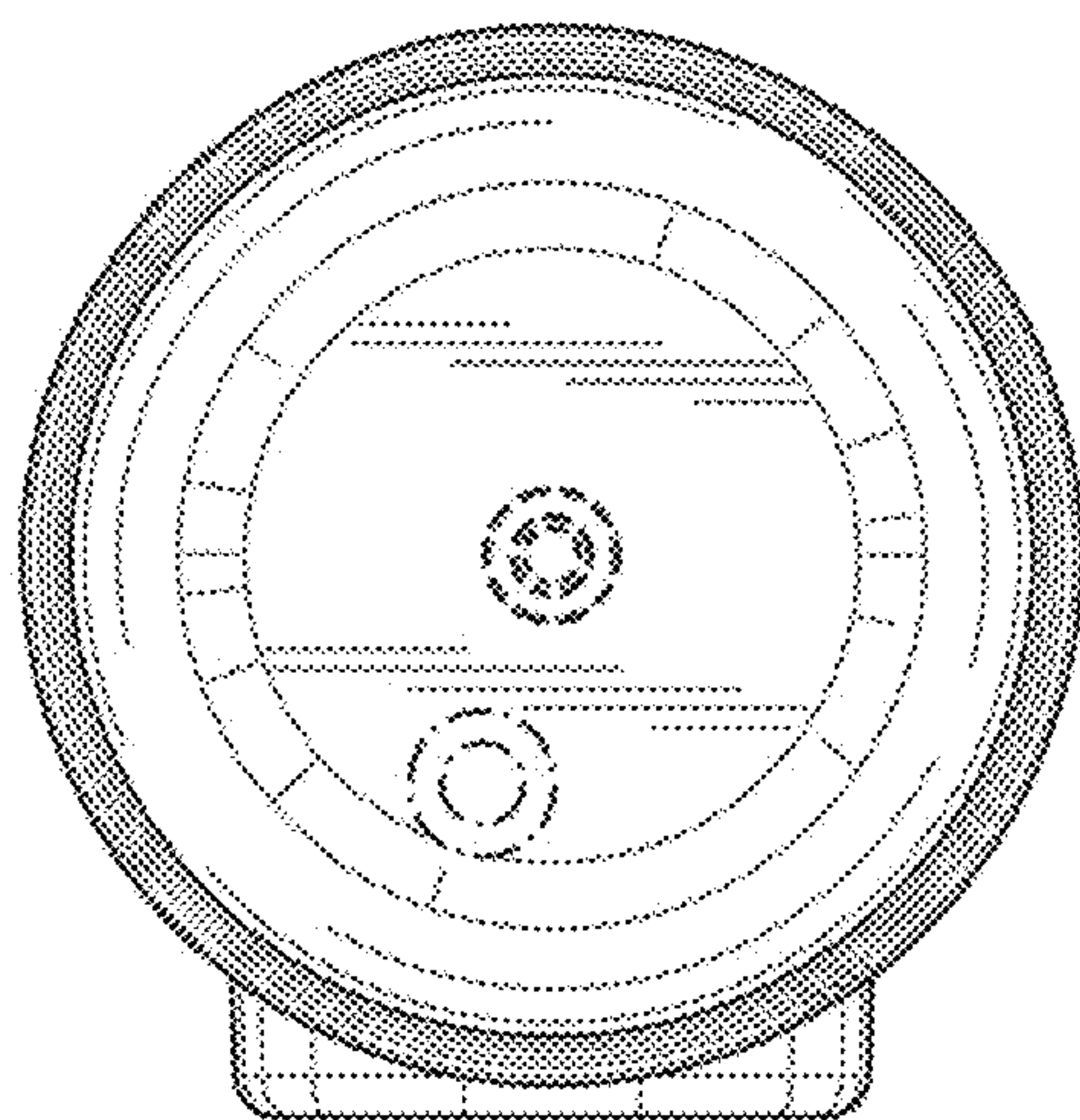


FIG. 7

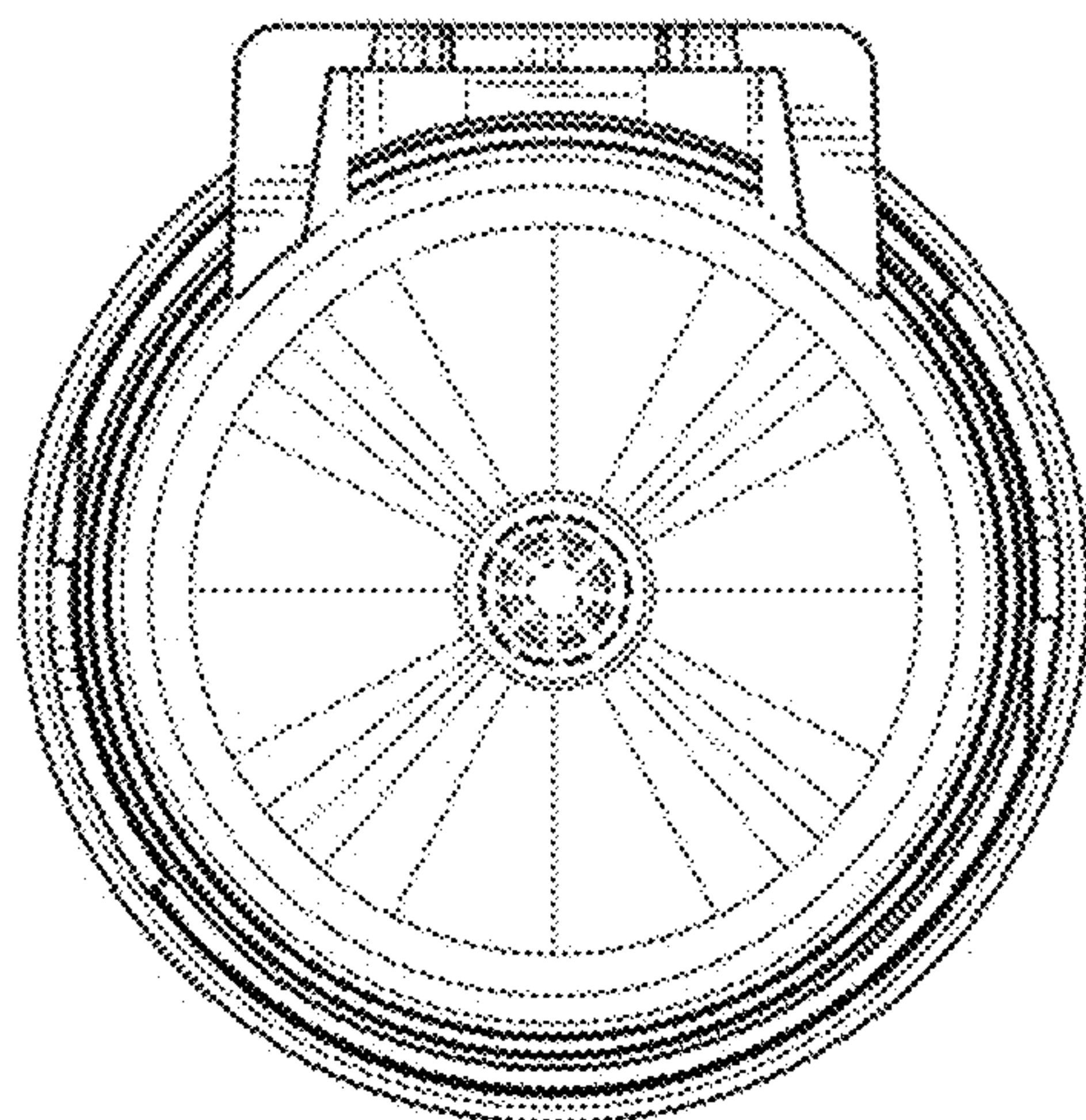


FIG. 8

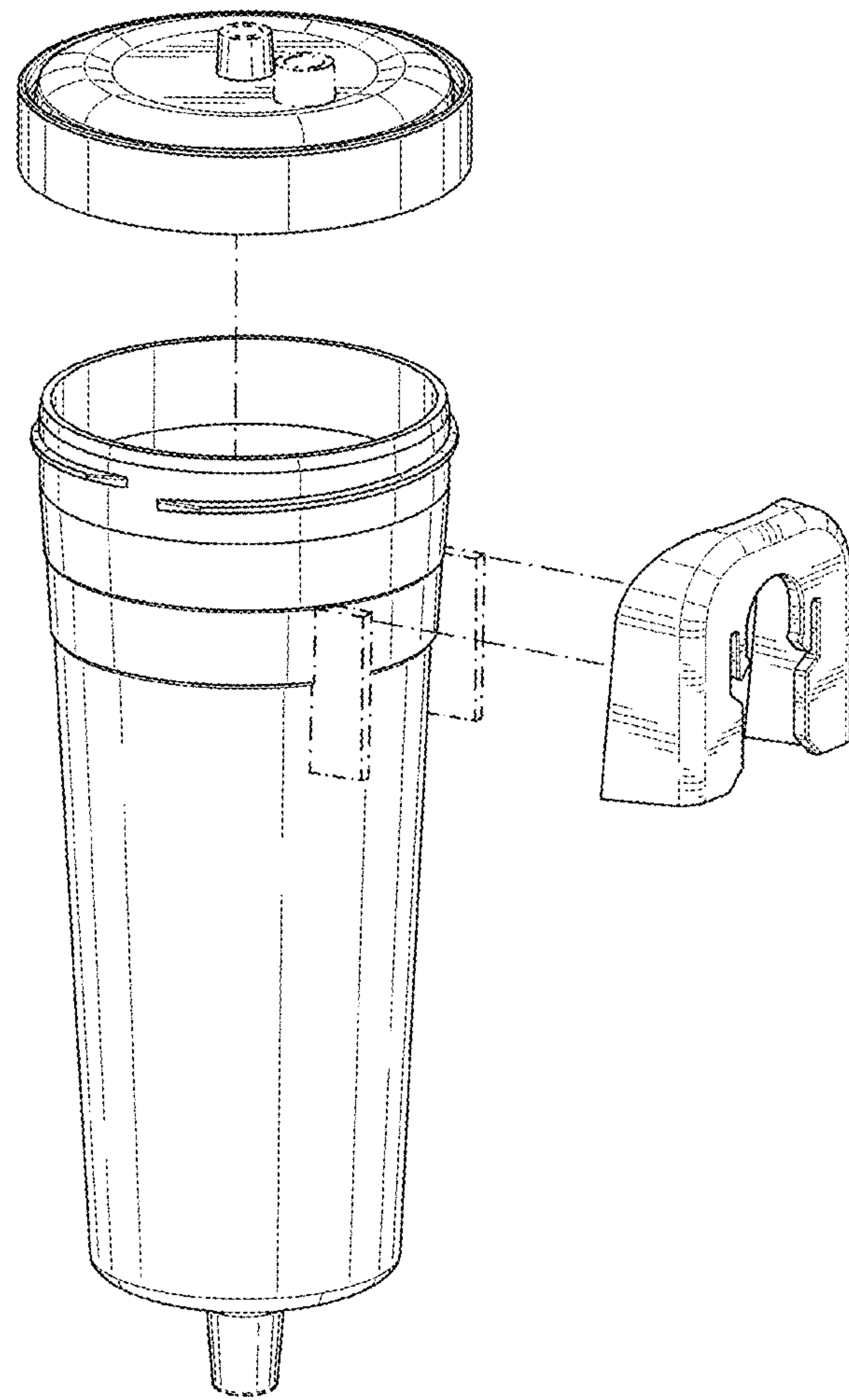


FIG. 9