



US00D795444S

(12) **United States Design Patent** (10) **Patent No.:** **US D795,444 S**
Chen (45) **Date of Patent:** **** Aug. 22, 2017**

(54) **ELECTRONIC MASSAGER**
(71) Applicant: **Healthmate International, LLC**,
Kansas City, MO (US)
(72) Inventor: **Shawn Chen**, Kansas City, MO (US)
(73) Assignee: **Healthmate International, Inc.**,
Kansas City, MO (US)
(**) Term: **15 Years**
(21) Appl. No.: **29/545,555**
(22) Filed: **Nov. 13, 2015**
(51) **LOC (10) Cl.** **28-03**
(52) **U.S. Cl.**
USPC **D24/215; D14/218**
(58) **Field of Classification Search**
USPC D24/200, 211, 212, 213, 214, 215;
601/19, 27-32, 46-48, 52, 99, 112-113,
601/118, 135, 137, DIG. 12, DIG. 14,
601/DIG. 15, DIG. 16, DIG. 17;
D30/160; D14/218, 138 AA, 248
CPC A61H 19/00; A61H 19/30; A61H 19/32;
A61H 19/34; A61H 19/40; A61H 19/44;
A61H 19/50; A61H 2015/0007; A61H
2015/0014; A61H 2015/0042; A61H
15/00; A61H 7/003; A61H 7/005
See application file for complete search history.

D391,949 S 3/1998 Munson
5,748,927 A 5/1998 Stein et al.
D395,297 S 6/1998 Cheng et al.
5,781,190 A 7/1998 Gorbet et al.
D398,298 S 9/1998 Giordano, III
D399,196 S 10/1998 Arora et al.
D400,262 S 10/1998 Hirakawa et al.
D406,847 S 3/1999 Gerba et al.
D416,909 S * 11/1999 Renk D14/218
6,016,484 A 1/2000 Williams et al.
D421,251 S 2/2000 Haitani et al.
D422,990 S 4/2000 Bright et al.
D422,991 S 4/2000 Regan et al.
D434,421 S 11/2000 Hanley et al.
D434,422 S 11/2000 Thomas et al.
D440,228 S 4/2001 Schmidt et al.
6,389,319 B1 5/2002 Lee
D482,042 S 11/2003 Peters
D482,043 S 11/2003 Peters
D487,592 S 3/2004 Chang
D511,526 S 11/2005 Totten et al.
D515,072 S 2/2006 Lee

(Continued)

Primary Examiner — Sandra Snapp
(74) *Attorney, Agent, or Firm* — Erickson Kernell IP,
LLC

(57) **CLAIM**

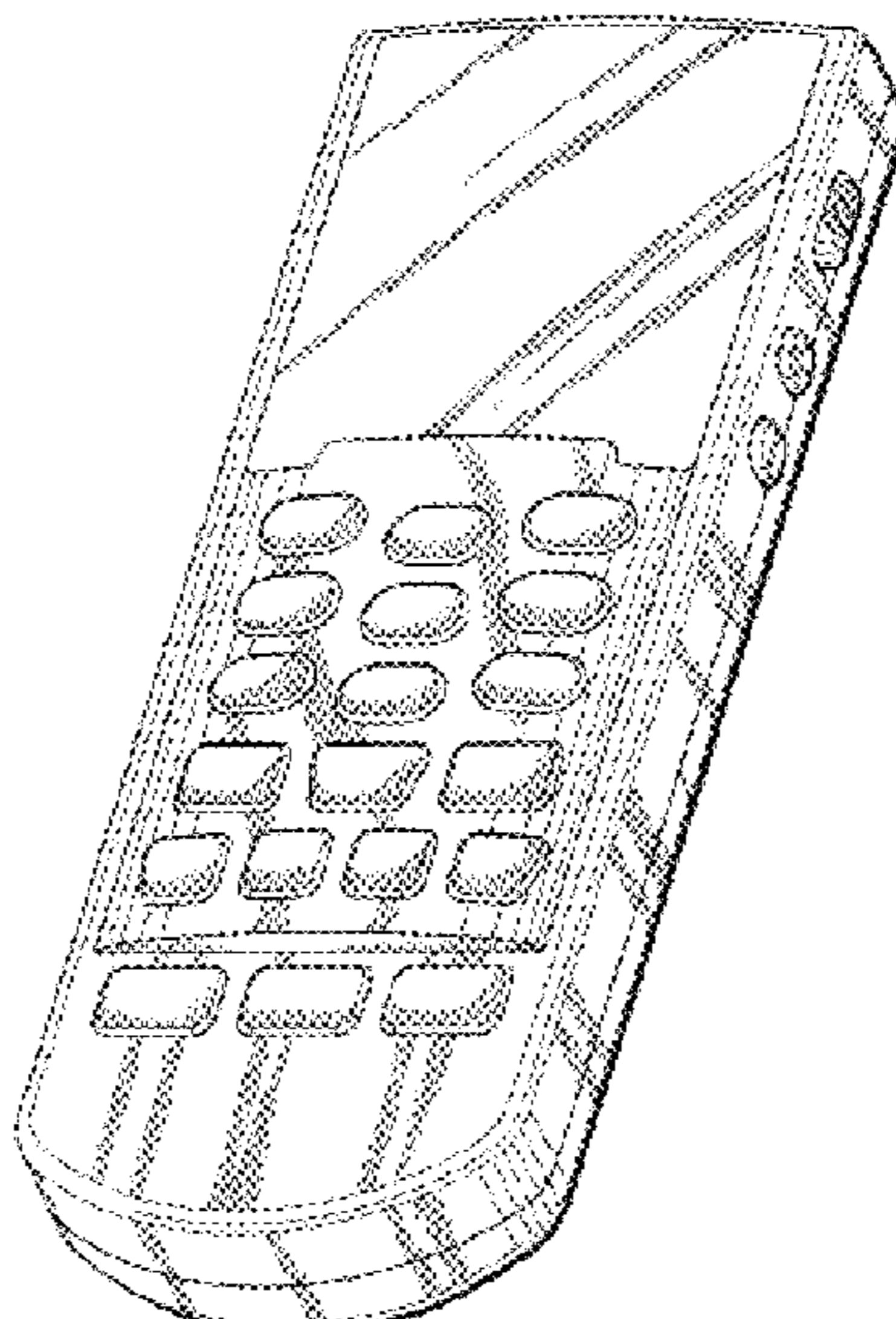
The ornamental design for an electronic massager, as shown and described.

DESCRIPTION

FIG. 1 is a front perspective view of an electronic massager showing my new design;
FIG. 2 is a back perspective view thereof;
FIG. 3 is a front view thereof;
FIG. 4 is a left side view thereof;
FIG. 5 is a right side view thereof;
FIG. 6 is a top view thereof;
FIG. 7 is a bottom view thereof; and,
FIG. 8 is a back view thereof.

1 Claim, 7 Drawing Sheets

(56) **References Cited**
U.S. PATENT DOCUMENTS
3,234,933 A 2/1966 Martin
4,635,049 A 1/1987 Dodge et al.
4,649,513 A 3/1987 Martin et al.
D341,848 S 11/1993 Bigelow et al.
5,428,734 A 6/1995 Haynes et al.
D365,639 S * 12/1995 Teo D24/200
5,481,665 A 1/1996 Okada et al.
D385,870 S 11/1997 Thomas



(56)

References Cited

U.S. PATENT DOCUMENTS

D517,531 S	3/2006	Lai	
D518,475 S *	4/2006	Yang	D14/218
D520,495 S	5/2006	Dukerschein et al.	
D520,988 S	5/2006	Miller	
D539,917 S	4/2007	Park	
D544,871 S	6/2007	Lim et al.	
D546,836 S	7/2007	Armstrong et al.	
D548,244 S	8/2007	Fletcher	
D550,246 S	9/2007	Jewitt et al.	
D550,685 S	9/2007	Seo et al.	
D550,700 S	9/2007	Griffith	
D552,123 S	10/2007	Nijima	
D557,277 S	12/2007	Jewitt et al.	
D563,985 S	3/2008	Jewitt et al.	
D563,986 S	3/2008	Lettau et al.	
D566,724 S	4/2008	Pieratt et al.	
D586,355 S	2/2009	Mori et al.	
D599,362 S	9/2009	Danton	
D599,378 S	9/2009	Mays	
D599,817 S	9/2009	Mays	
D614,606 S *	4/2010	James	D14/218
D629,528 S	12/2010	Adkisson	
D675,747 S	2/2013	Luying	
D676,142 S	2/2013	Chen	
D716,963 S *	11/2014	Yosef	D24/215
D723,178 S *	2/2015	Chen	D24/215
D732,682 S *	6/2015	Porat	D24/215
D750,793 S *	3/2016	Liu	D24/200

* cited by examiner

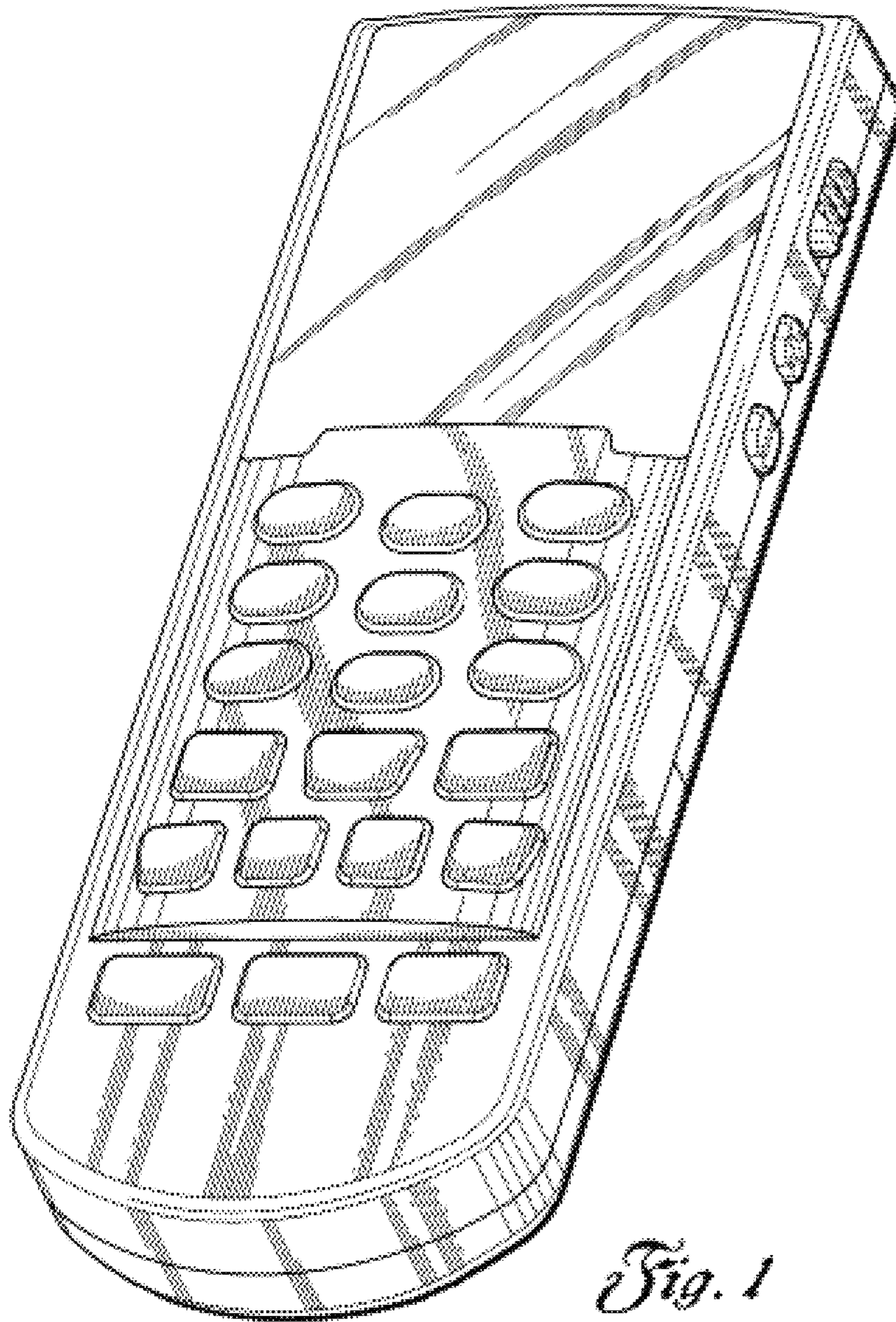


Fig. 1

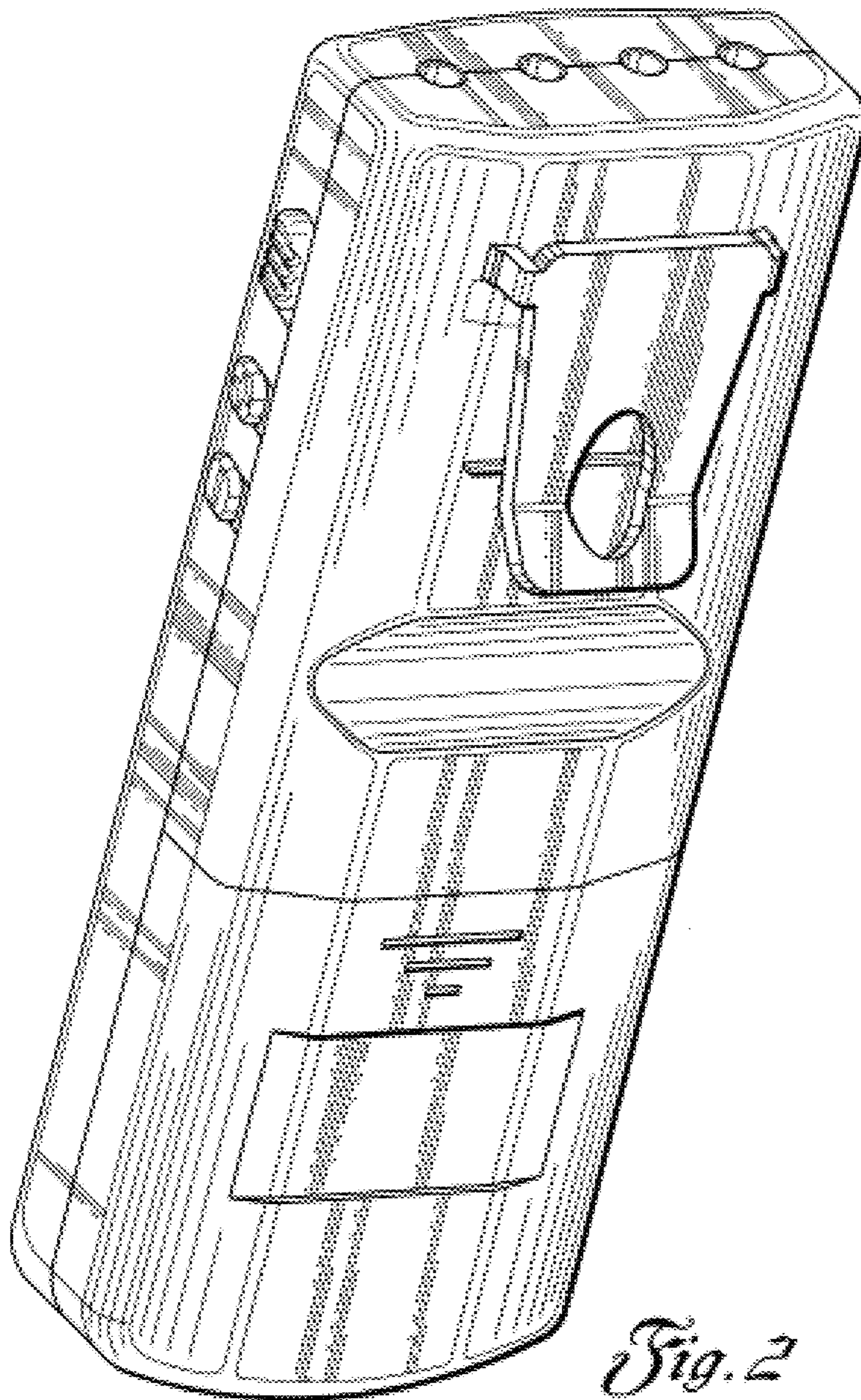


Fig. 2

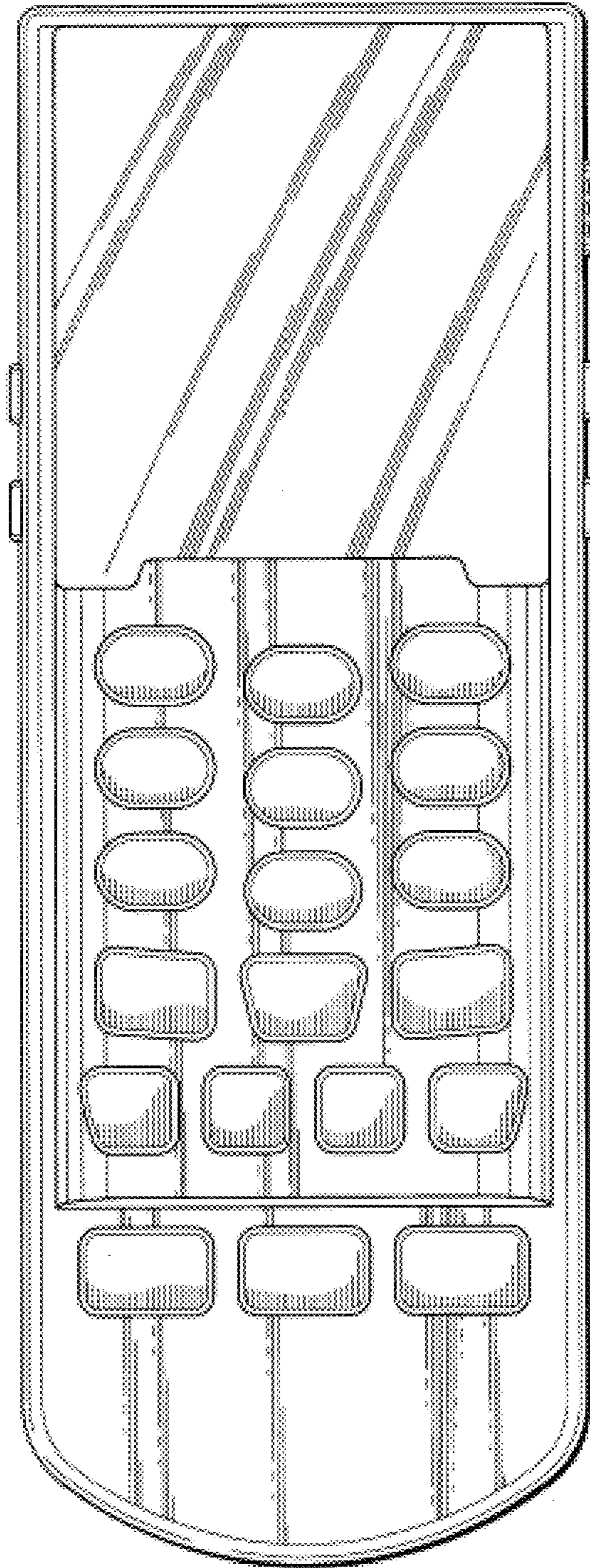


Fig. 3

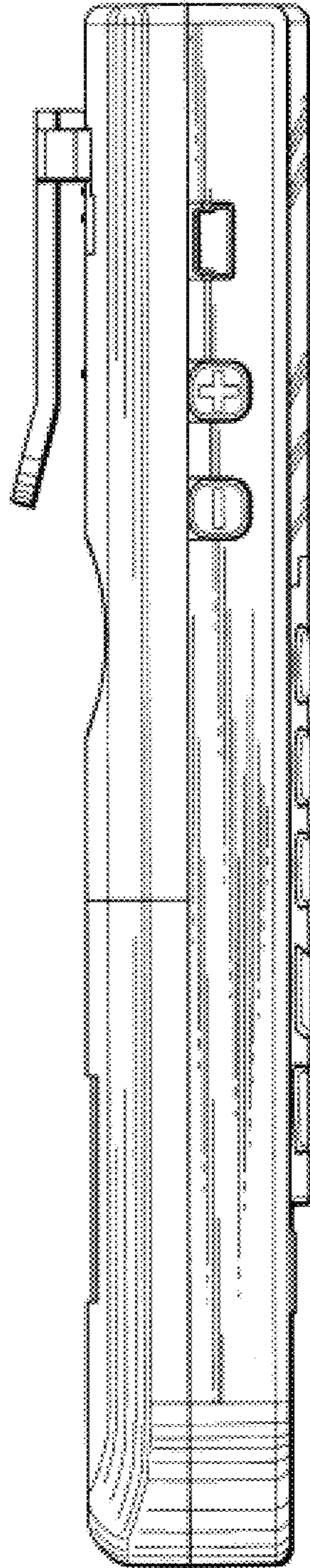


Fig. 4

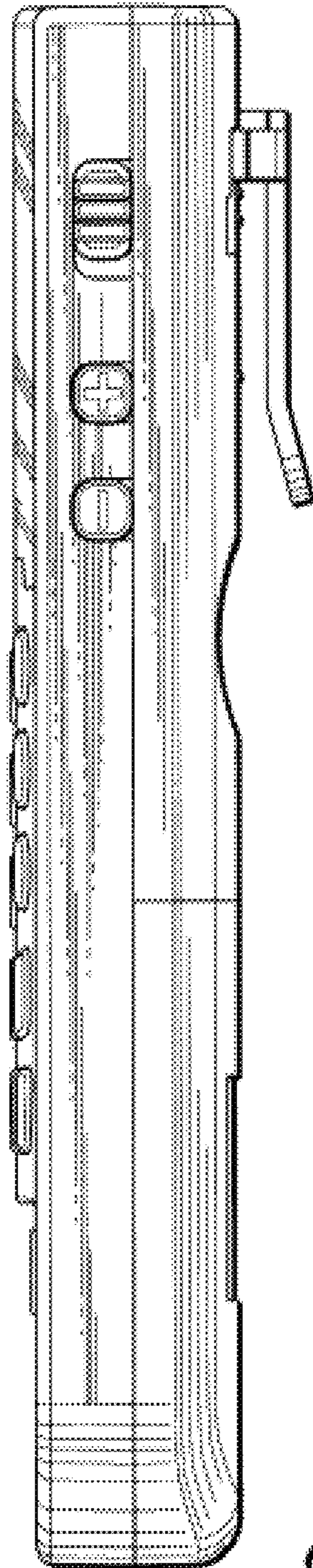


Fig. 5

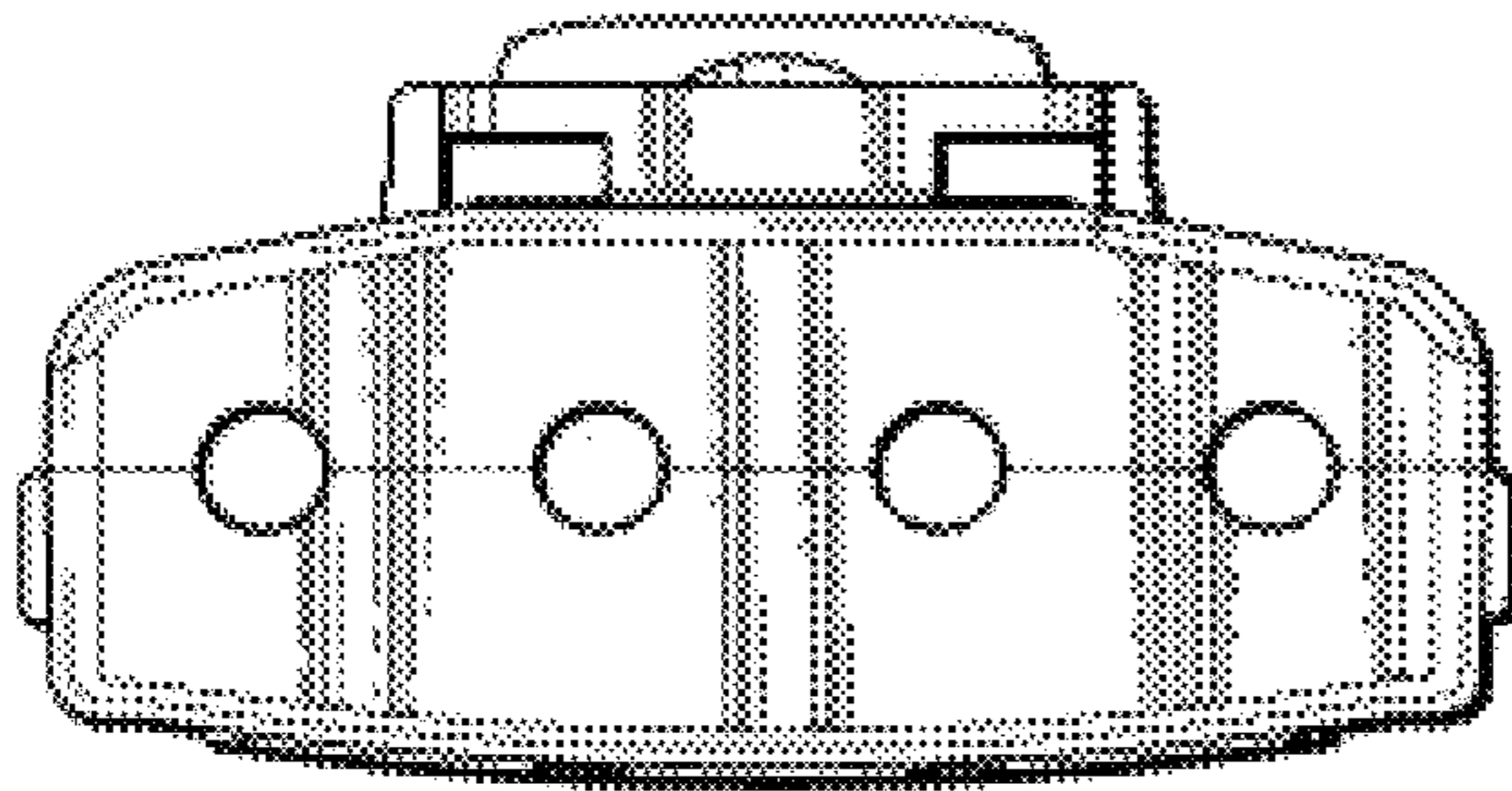


Fig. 6

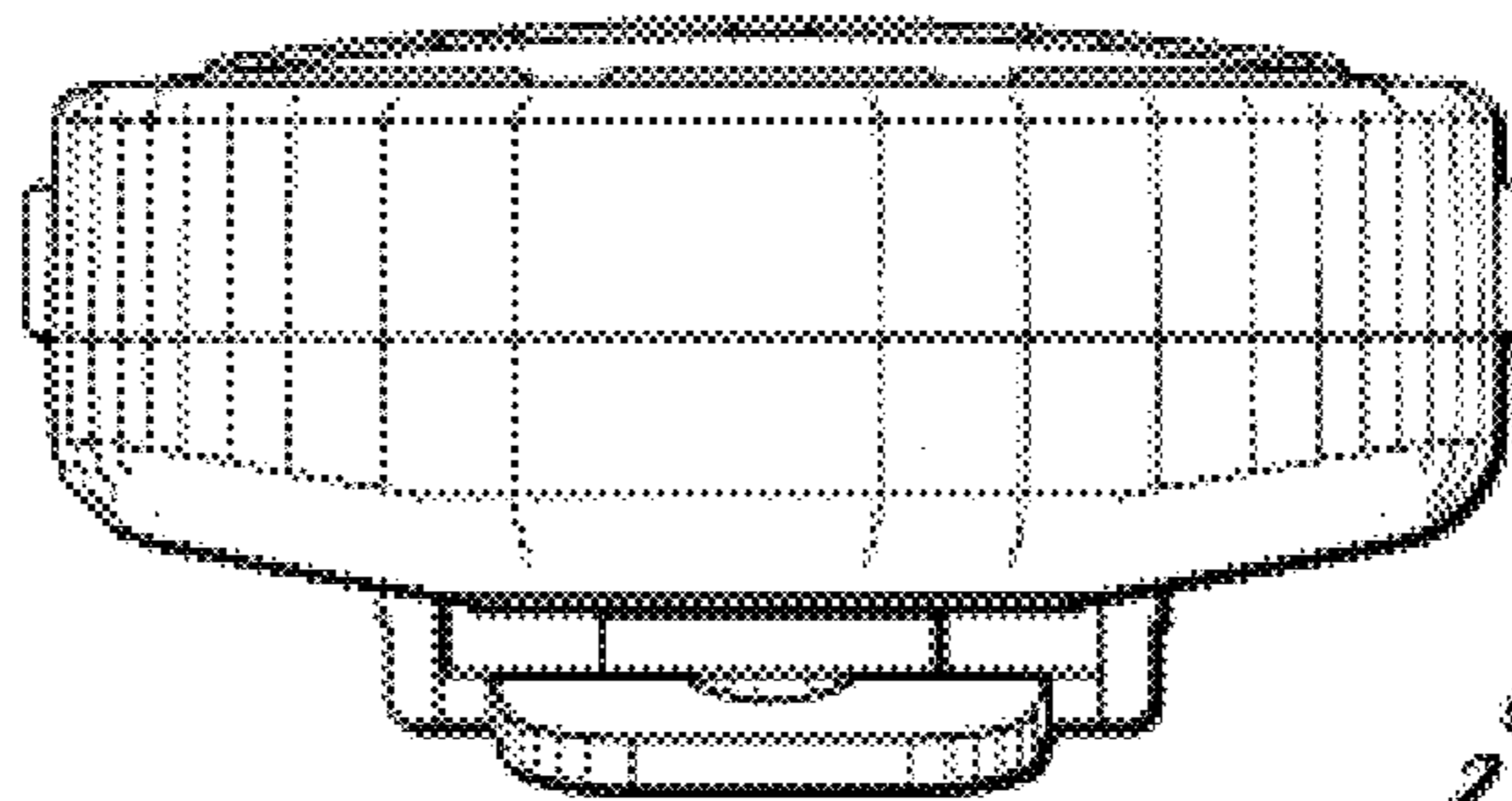


Fig. 7

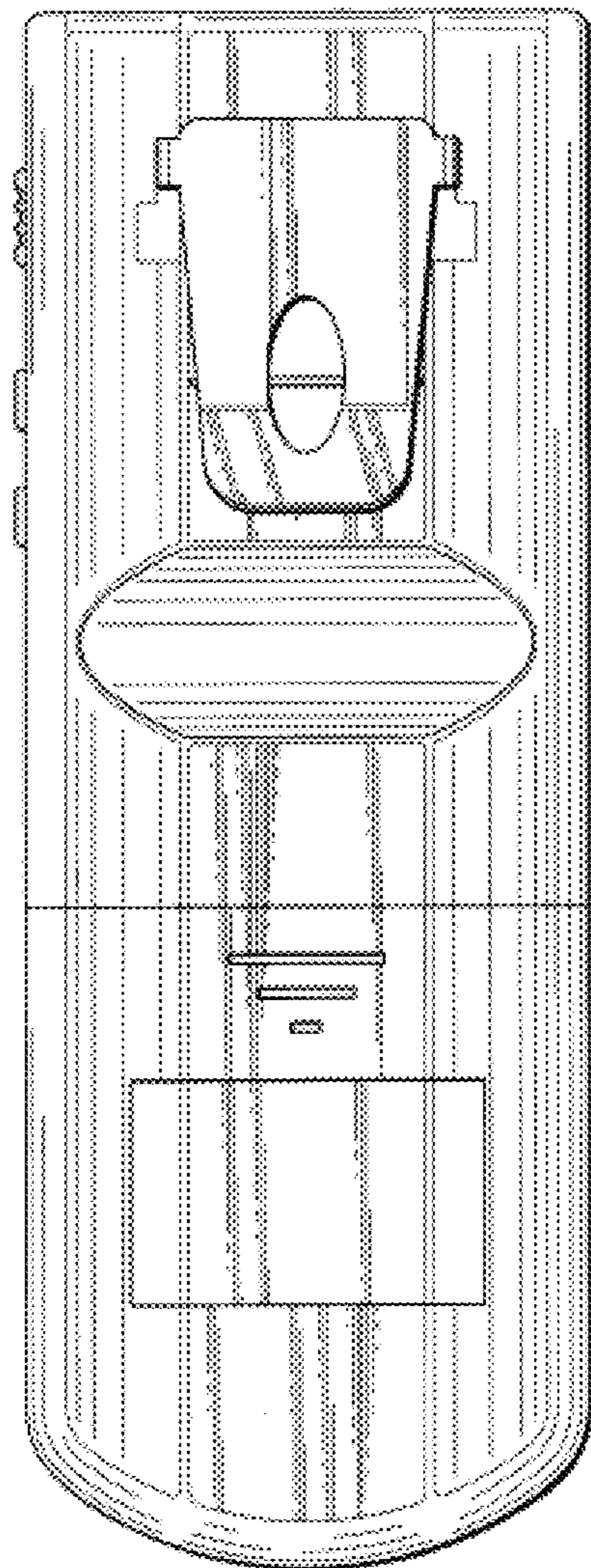


Fig. B

UNITED STATES PATENT AND TRADEMARK OFFICE
CERTIFICATE OF CORRECTION

PATENT NO. : D795,444 S
APPLICATION NO. : 29/545555
DATED : August 22, 2017
INVENTOR(S) : Shawn Chen

Page 1 of 1

It is certified that error appears in the above-identified patent and that said Letters Patent is hereby corrected as shown below:

On the Title Page

At Item (73), delete "Healthmate International, Inc." and substitute --Healthmate International, LLC--.

Signed and Sealed this
Twenty-first Day of November, 2017



Joseph Matal

*Performing the Functions and Duties of the
Under Secretary of Commerce for Intellectual Property and
Director of the United States Patent and Trademark Office*