

US00D795441S

(12) **United States Design Patent** (10) **Patent No.:** **US D795,441 S**
Clement et al. (45) **Date of Patent:** **** Aug. 22, 2017**

(54) **HYGIENIC SUPPORT**

(71) Applicant: **Community Products, LLC**, Rifton, NY (US)

(72) Inventors: **Gideon Clement**, Rifton, NY (US);
Samuel Durgin, Elka Park, NY (US);
Tobias Brinkmann, Elka Park, NY (US); **Gilbert Thomson**, Elsmore (AU)

(73) Assignee: **Community Products, LLC**, Rifton, NY (US)

(**) Term: **14 Years**

(21) Appl. No.: **29/494,100**

(22) Filed: **Jun. 17, 2014**

(51) **LOC (10) Cl.** **24-04**

(52) **U.S. Cl.**
USPC **D24/188**

(58) **Field of Classification Search**
USPC D24/183, 188; D12/128–133
CPC A61G 7/1059; A47K 3/122; A61H 2201/0149

See application file for complete search history.

(56) **References Cited**

U.S. PATENT DOCUMENTS

4,662,361	A *	5/1987	Patterson	A61G 15/007
					128/845
D296,364	S *	6/1988	Nippoldt	D24/183
D298,569	S *	11/1988	Nippoldt	D24/183
D298,570	S *	11/1988	Nippoldt	D24/183
5,054,137	A *	10/1991	Christensen	A61G 7/1038
					5/81.1 RP
D362,911	S *	10/1995	Helms	D24/188
D494,110	S *	8/2004	Cheng	D12/131
D496,463	S *	9/2004	Hunt	D24/188
D589,623	S *	3/2009	Olliges	D24/188
D598,816	S *	8/2009	Ahlbertz	D12/131
D627,270	S *	11/2010	Kretschmer	D12/131

D677,606	S *	3/2013	Akre	D12/131
D699,160	S *	2/2014	Yang	D12/131
2004/0222611	A1 *	11/2004	Fenwick	A61G 5/006
					280/250.1

(Continued)

OTHER PUBLICATIONS

European Community Design Registration No. 002484568-0001, registered on Jun. 17, 2014.

(Continued)

Primary Examiner — T. Chase Nelson
Assistant Examiner — Michelle E Wilson
(74) *Attorney, Agent, or Firm* — Amster, Rothstein & Ebenstein, LLP

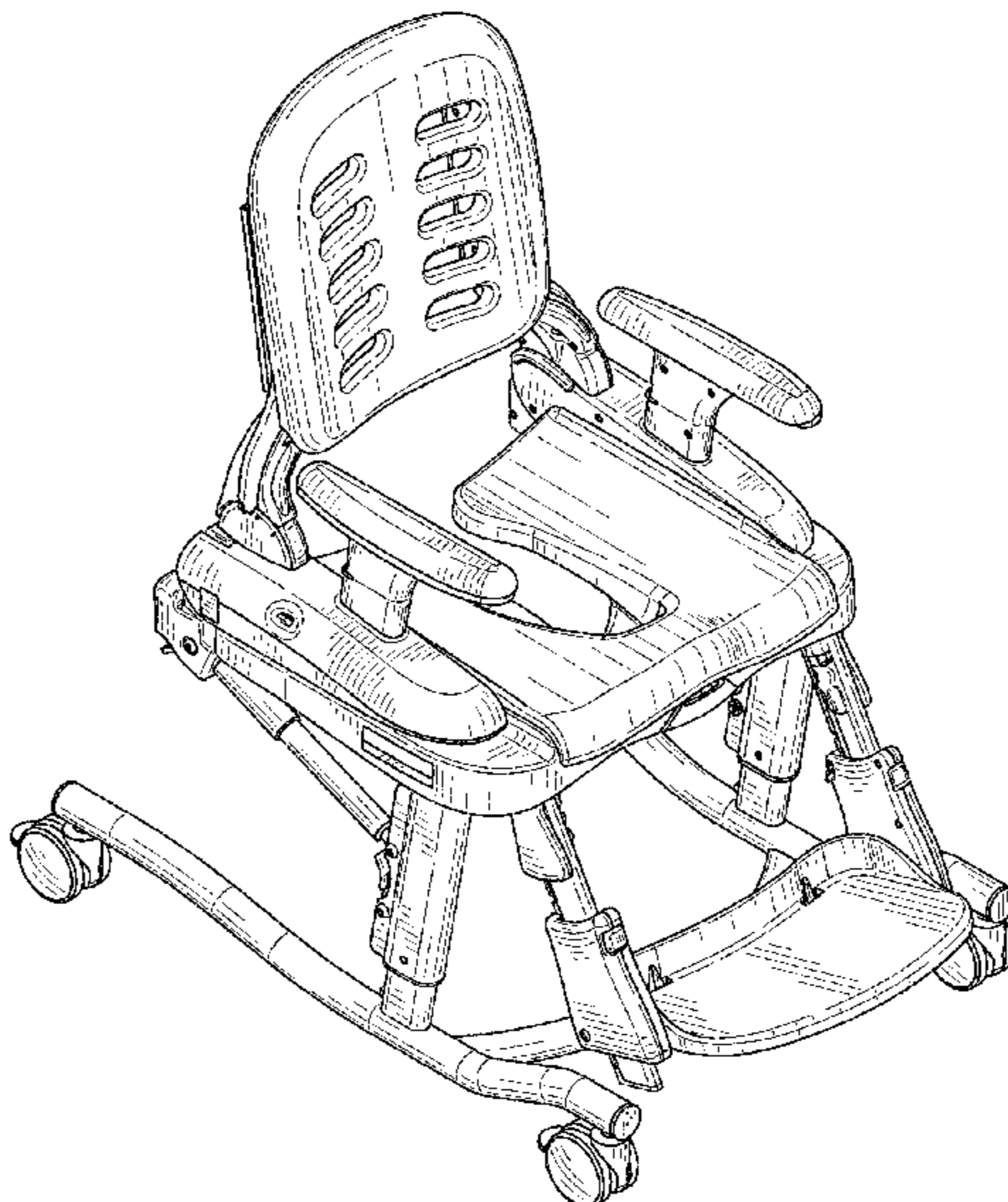
(57) **CLAIM**

The ornamental design for a hygienic support, as shown and described.

DESCRIPTION

FIG. 1 is an isometric view of an exemplary embodiment of a hygienic support according to the present invention; FIG. 2 is a front view of the hygienic support shown in FIG. 1; FIG. 3 is a rear view of the hygienic support shown in FIG. 1; FIG. 4 is a right side view of the hygienic support shown in FIG. 1; FIG. 5 is a left side view of the hygienic support shown in FIG. 1; FIG. 6 is a top plan view of the hygienic support shown in FIG. 1; and, FIG. 7 is a bottom plan view of the hygienic support shown in FIG. 1. That portion(s) shown in broken lines are for environmental purposes only and do not form part of the claimed design.

1 Claim, 7 Drawing Sheets



(56)

References Cited

U.S. PATENT DOCUMENTS

2005/0065675 A1* 3/2005 Georgi A61G 5/043
701/23
2007/0169267 A1* 7/2007 Paz A61G 7/015
5/610
2012/0132213 A1* 5/2012 Kakko A61F 5/3784
128/845

OTHER PUBLICATIONS

European Community Design Registration No. 002484568-0002,
registered on Jun. 17, 2014.

* cited by examiner

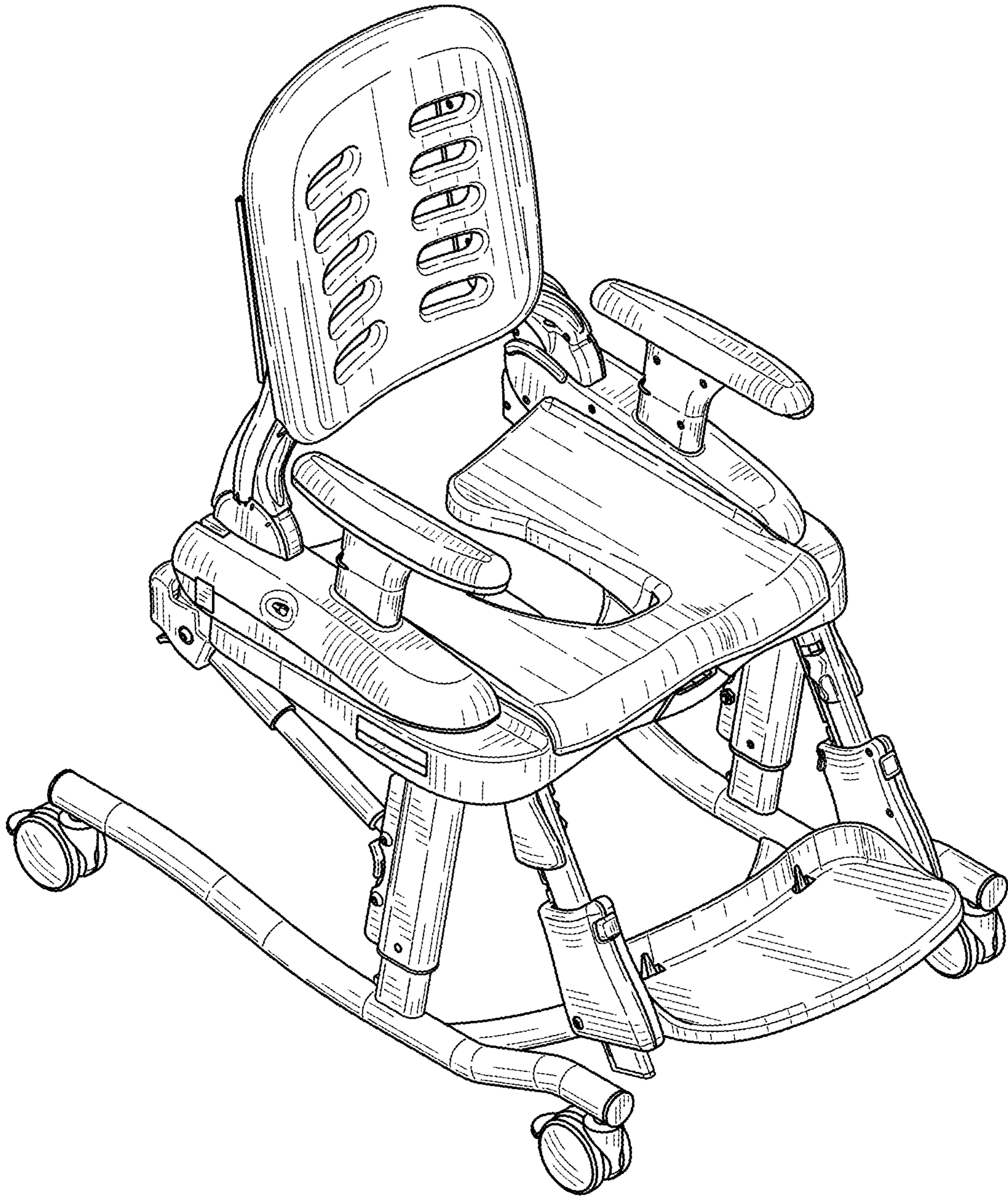


FIG. 1

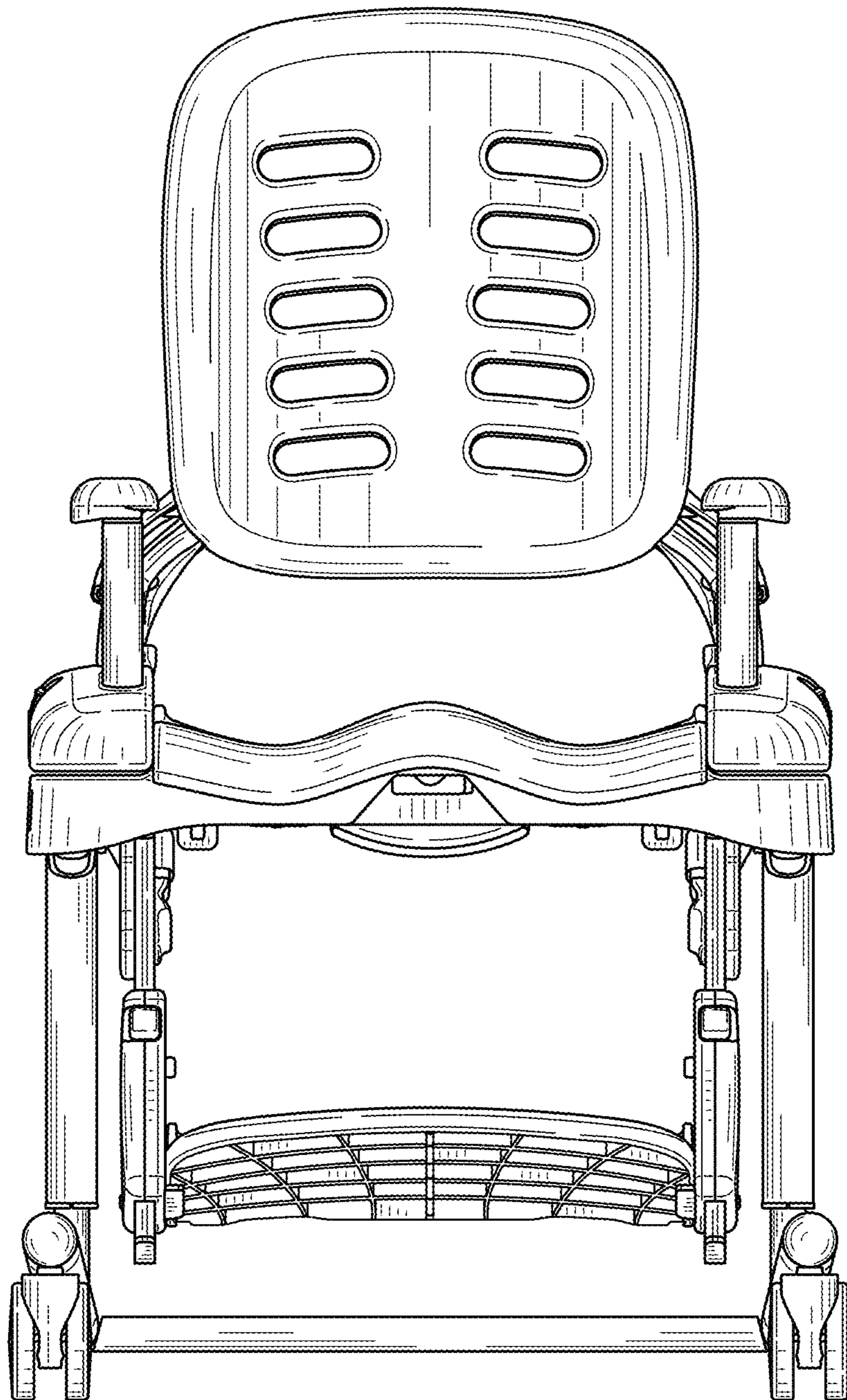


FIG. 2

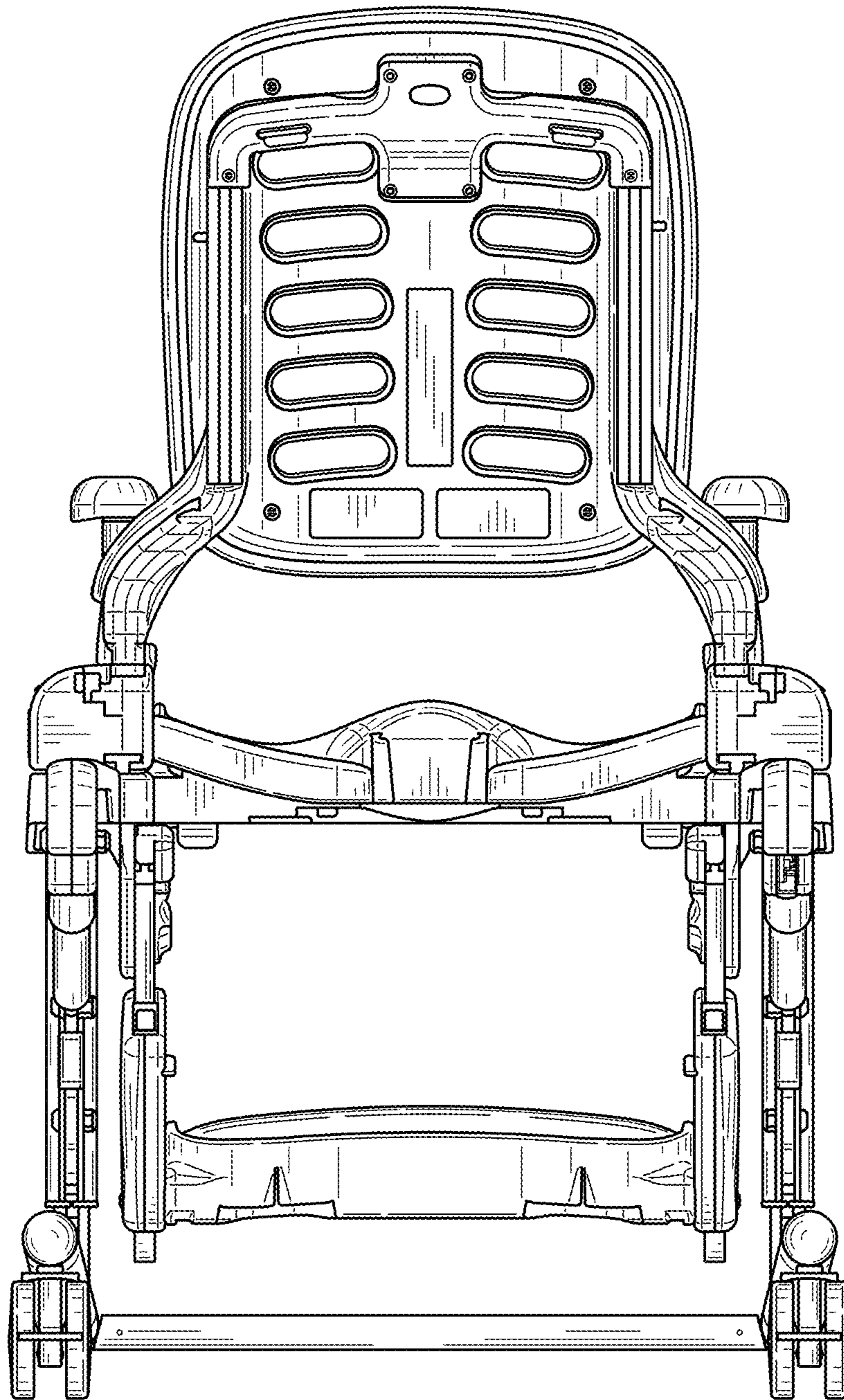


FIG. 3

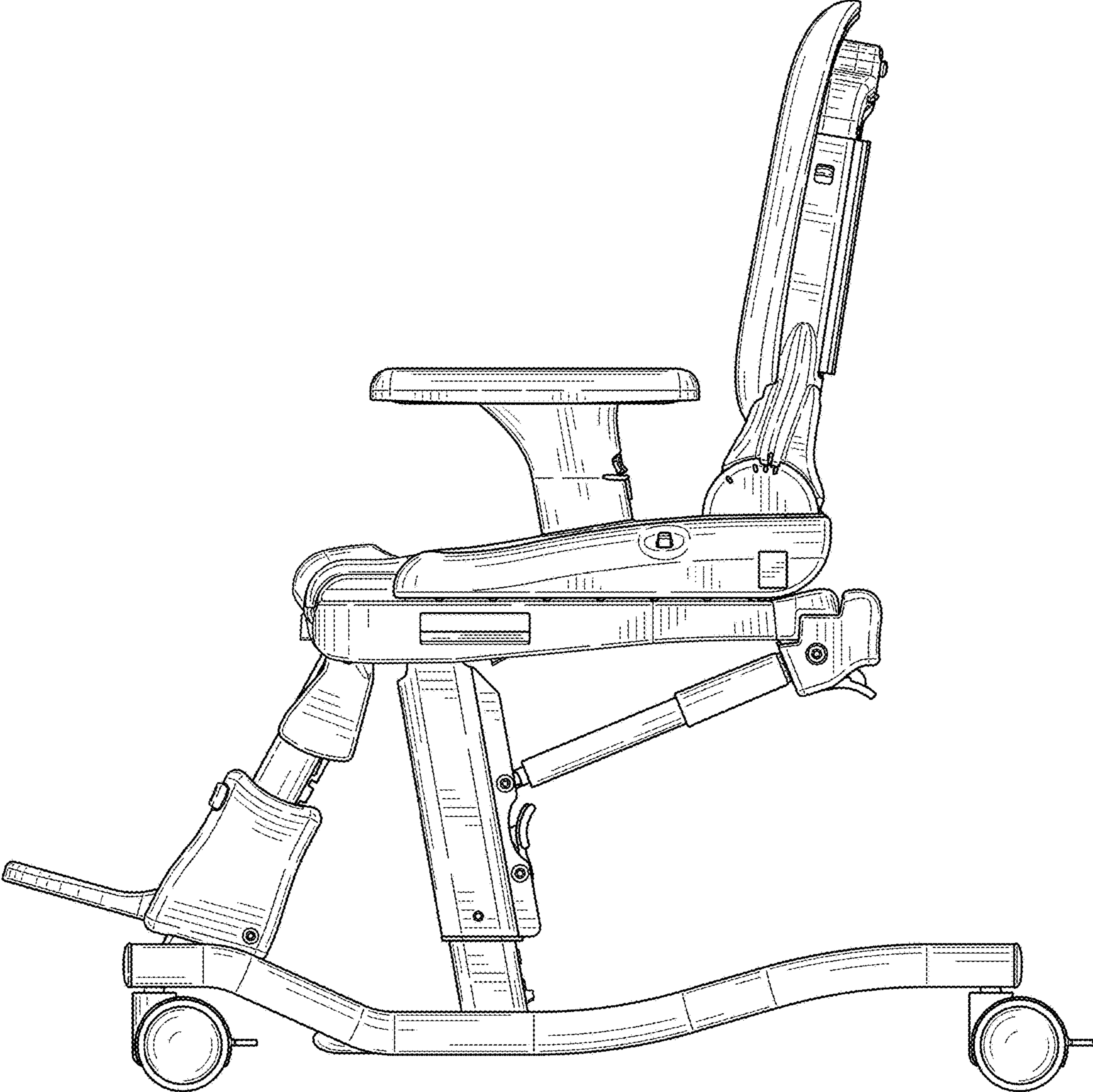


FIG. 4

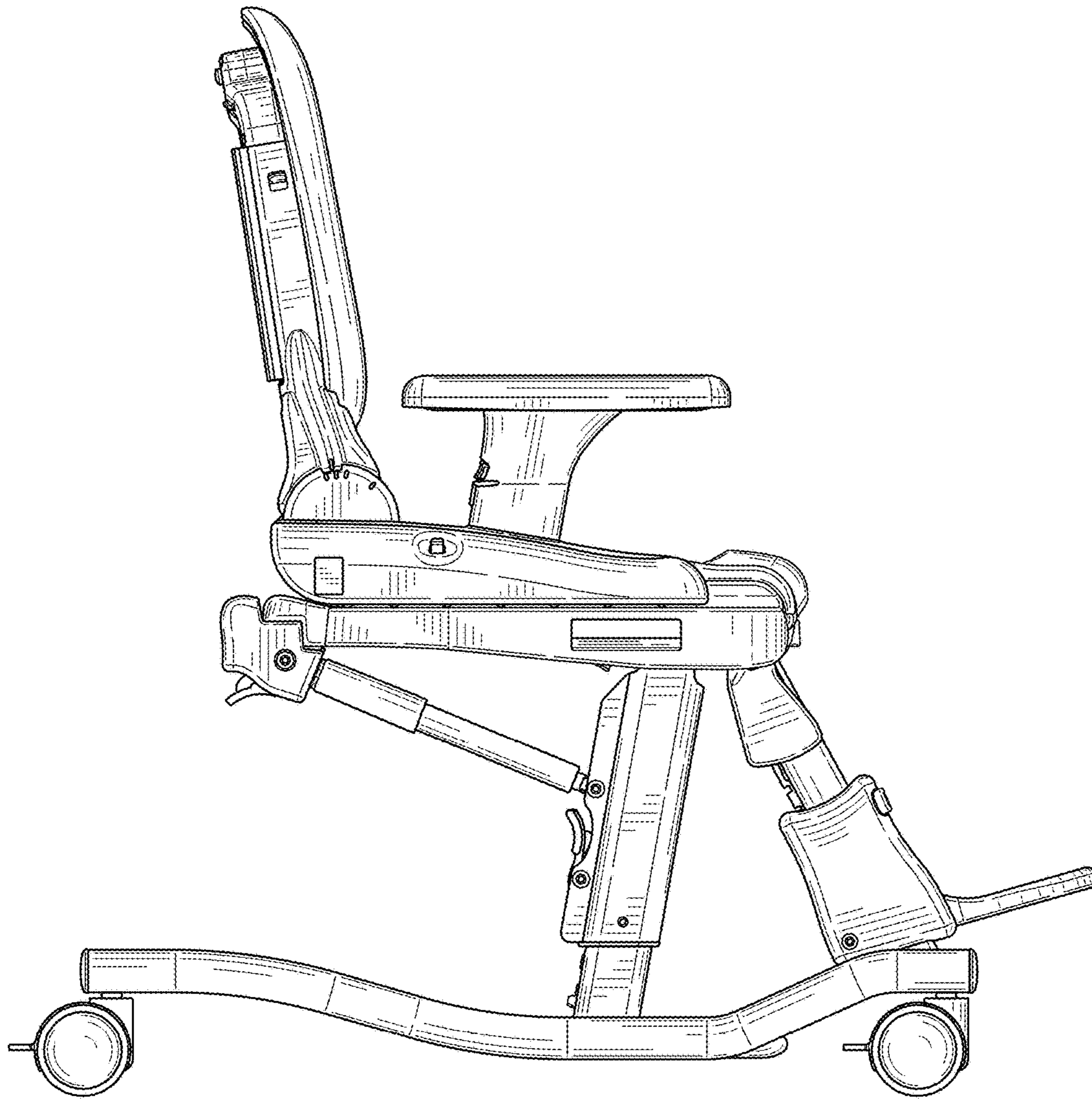


FIG. 5

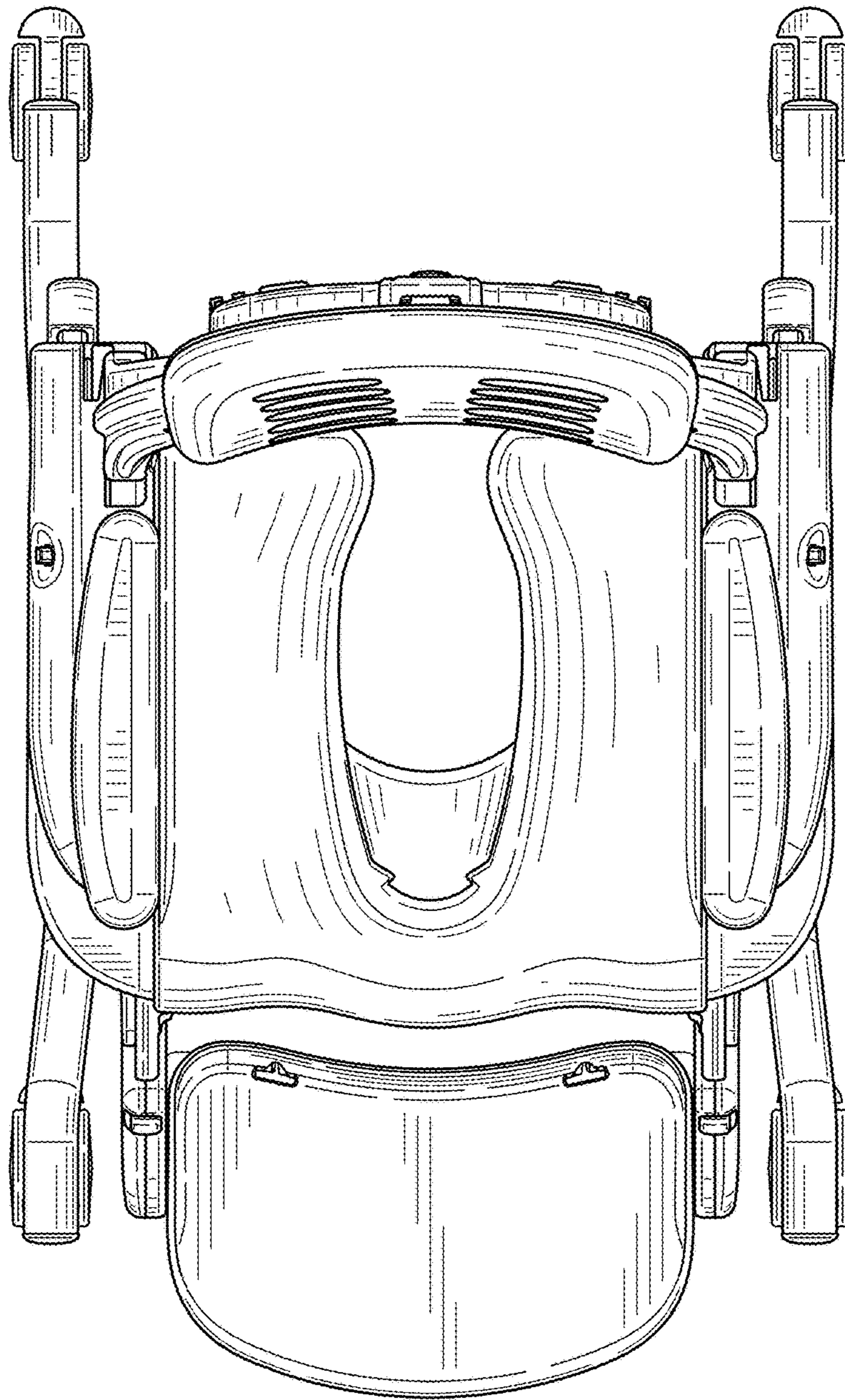


FIG. 6

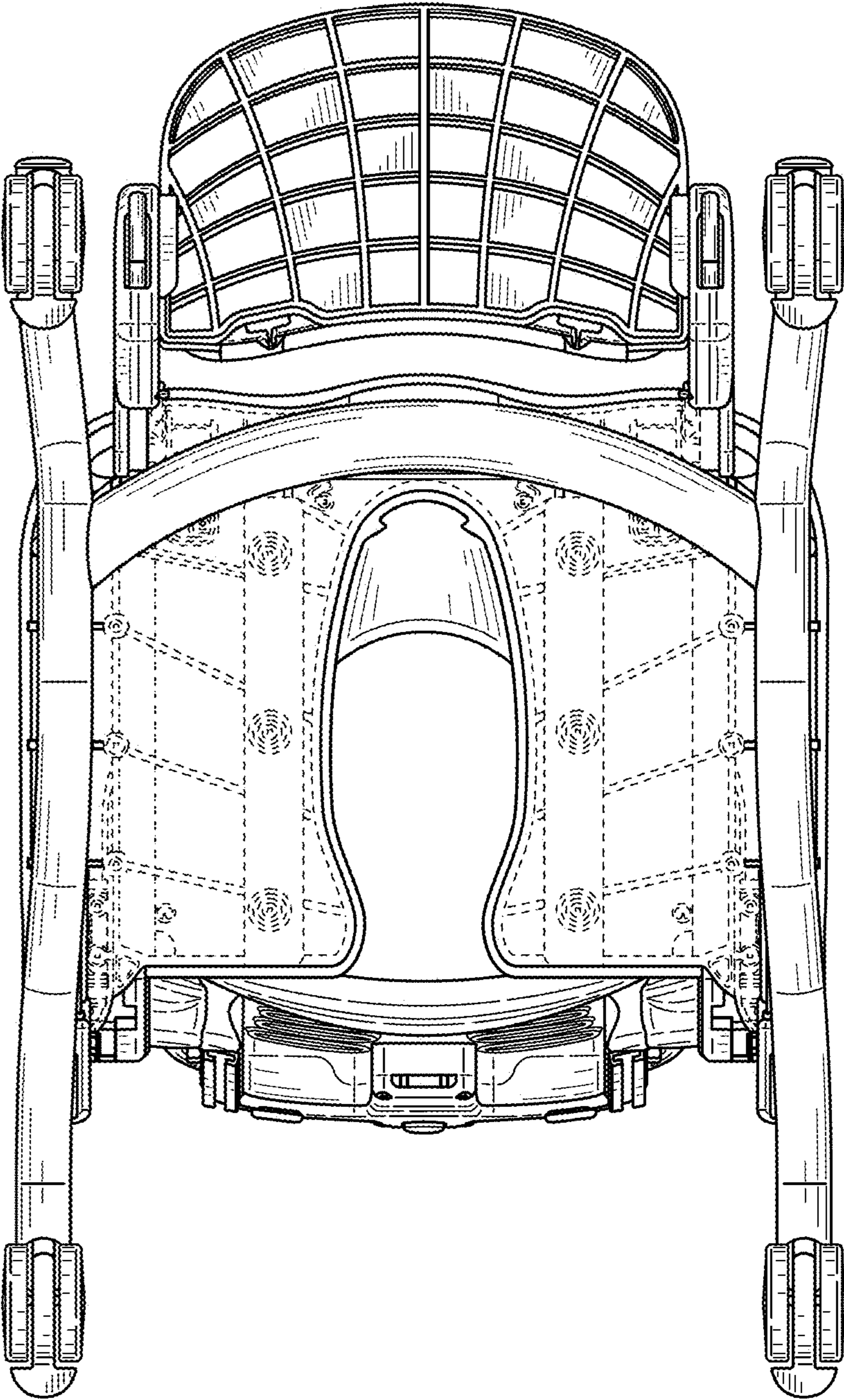


FIG. 7