



US00D795438S

(12) **United States Design Patent** (10) **Patent No.:** **US D795,438 S**
Crowley et al. (45) **Date of Patent:** **** Aug. 22, 2017**

(54) **TREATMENT TRAY** 6,964,568 B1 * 11/2005 Segal A61C 9/0006
433/38

(71) Applicant: **Sinsational Smile Inc.**, Santa Cruz, CA (US) 7,021,929 B2 * 4/2006 DiMarino A61C 9/0006
433/37

(72) Inventors: **James Crowley**, Santa Cruz, CA (US);
Robert Hernandez, Redwood City, CA (US); **Christine Brooks**, Santa Cruz, CA (US) D582,559 S * 12/2008 Khawaled D24/181
D631,550 S * 1/2011 Massad D24/181
D683,467 S * 5/2013 Jensen D24/181

(73) Assignee: **SINSATIONAL SMILE INC.**, Santa Cruz, CA (US) 2004/0214140 A1 * 10/2004 Fischer A61C 19/066
433/215

(**) Term: **15 Years** 2006/0019214 A1 * 1/2006 Lawrence A61C 19/066
433/29

2015/0305838 A1 * 10/2015 Liebman A61C 9/0006
433/41

2016/0250004 A1 * 9/2016 DiMarino A61C 9/0006

* cited by examiner

(21) Appl. No.: **29/573,507**

Primary Examiner — Wan Laymon

(22) Filed: **Aug. 5, 2016**

(74) *Attorney, Agent, or Firm* — Omair M. Farooqui

(51) **LOC (10) Cl.** **24-02**

(57) **CLAIM**

(52) **U.S. Cl.**
USPC **D24/181**

The ornamental design for a treatment tray, as shown and described.

(58) **Field of Classification Search**
USPC D24/176–182, 152, 227; D29/108
CPC A61C 9/00; A61C 9/0006; A61C 19/00;
A61C 19/006; A61C 19/066
See application file for complete search history.

DESCRIPTION

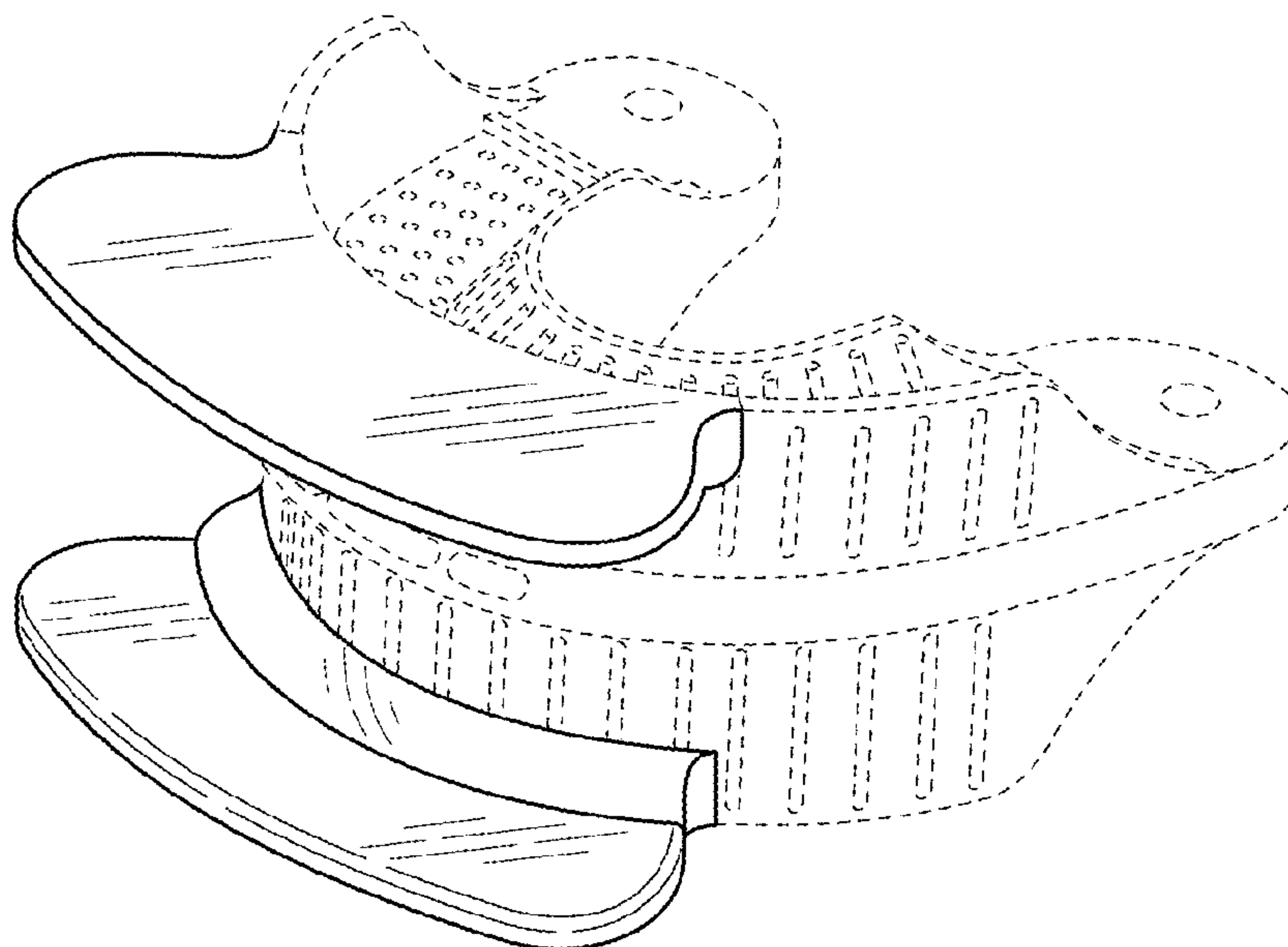
FIG. 1 is a perspective view of a treatment tray according to a preferred embodiment of the present invention;
FIG. 2 is a rear perspective front elevational view thereof;
FIG. 3 is a front elevational view thereof;
FIG. 4 is a rear elevational view thereof;
FIG. 5 is a left side plan view thereof;
FIG. 6 is right side plan view thereof;
FIG. 7 is a top plan view thereof; and,
FIG. 8 is a bottom plan view thereof.
The broken lines shown in FIGS. 1-8 are environmental only and form no part of the claimed design.

(56) **References Cited**

U.S. PATENT DOCUMENTS

D328,494 S * 8/1992 Schwendeman D24/176
5,336,086 A * 8/1994 Simmen A61C 9/0006
433/37
5,551,872 A * 9/1996 Mena A61C 9/0006
433/37
5,642,737 A * 7/1997 Parks A61F 5/566
128/848
D383,845 S * 9/1997 Mitchell D24/181

1 Claim, 4 Drawing Sheets



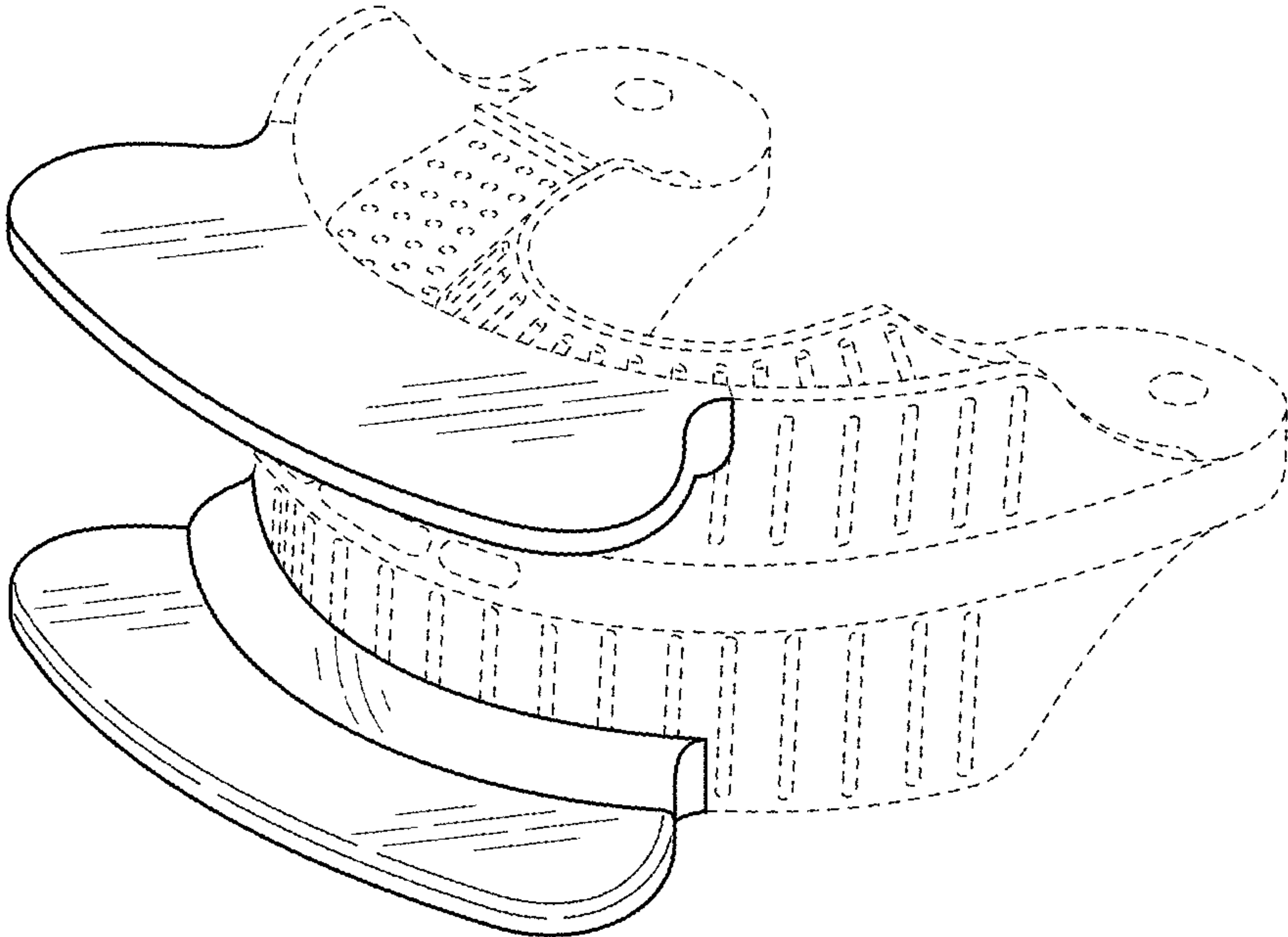


FIG. 1

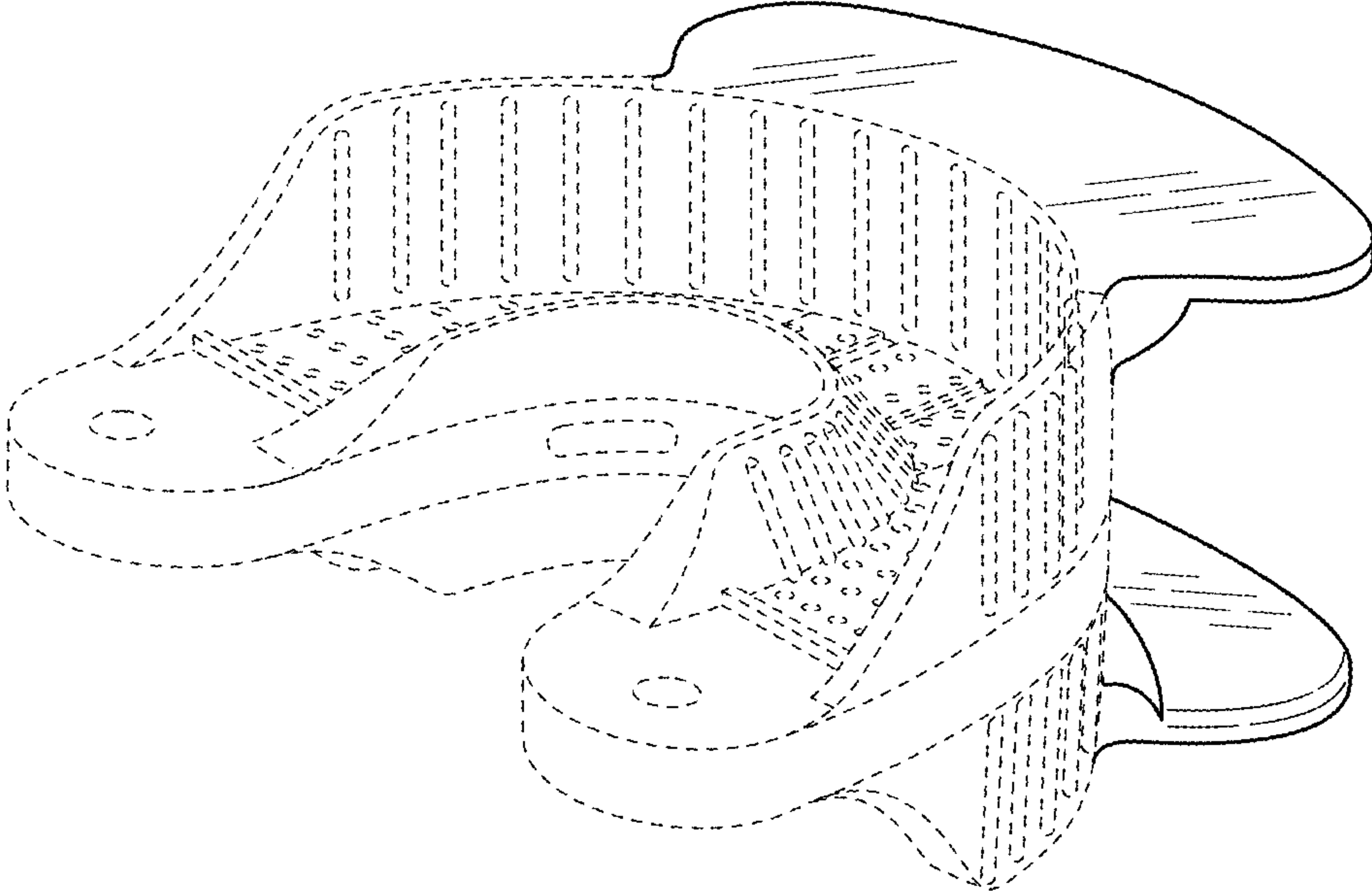


FIG. 2

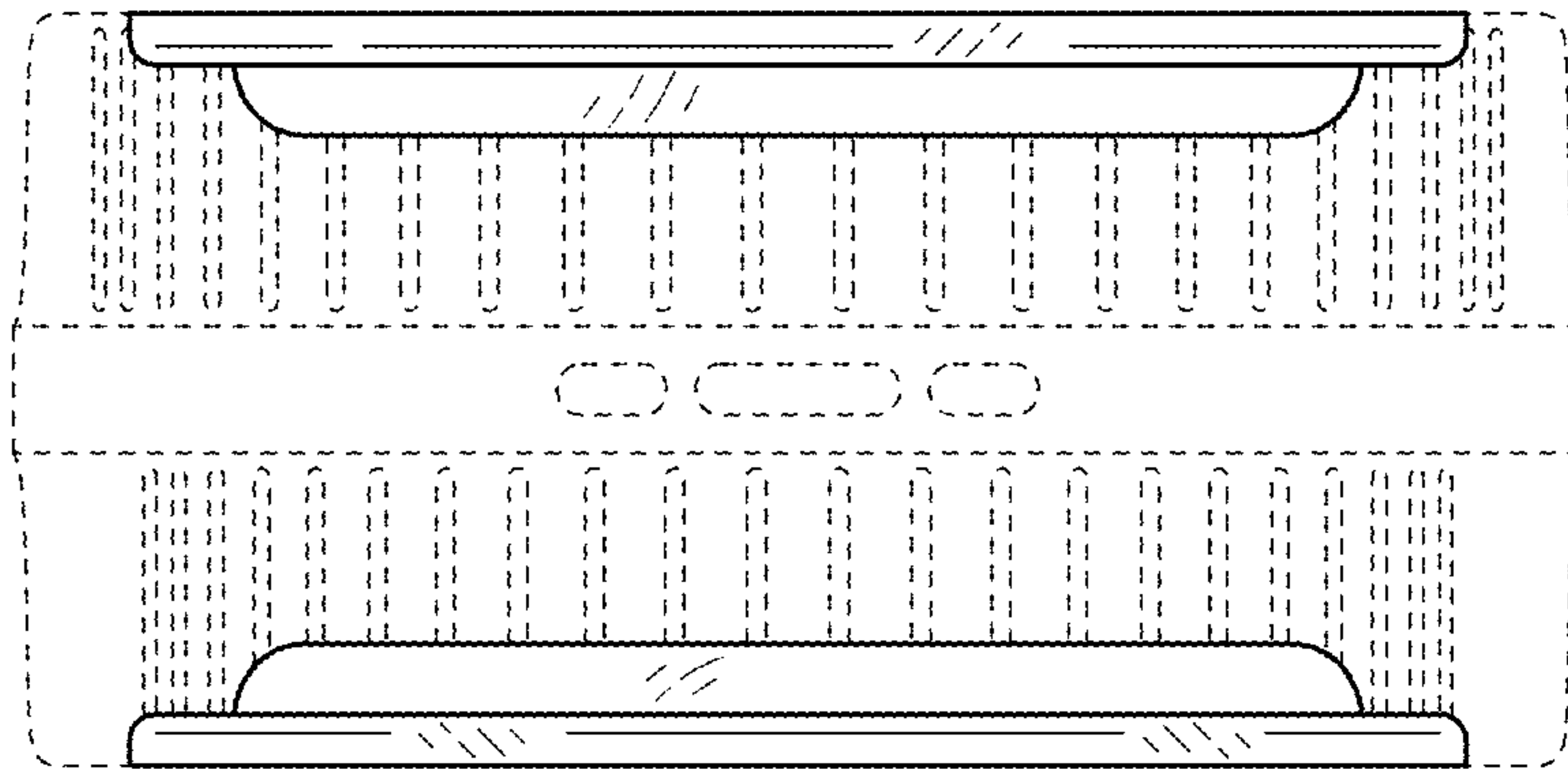


FIG. 3

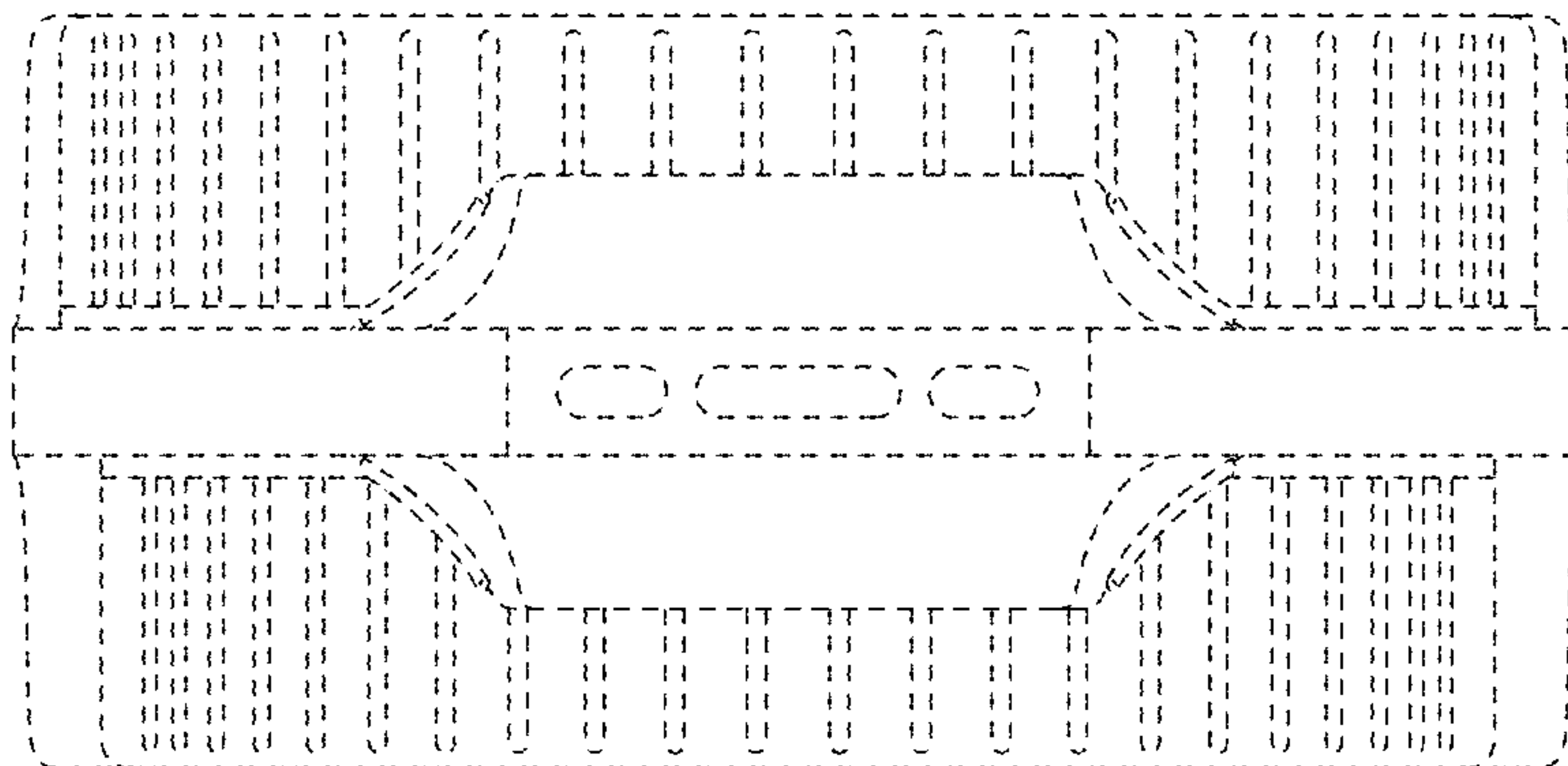


FIG. 4

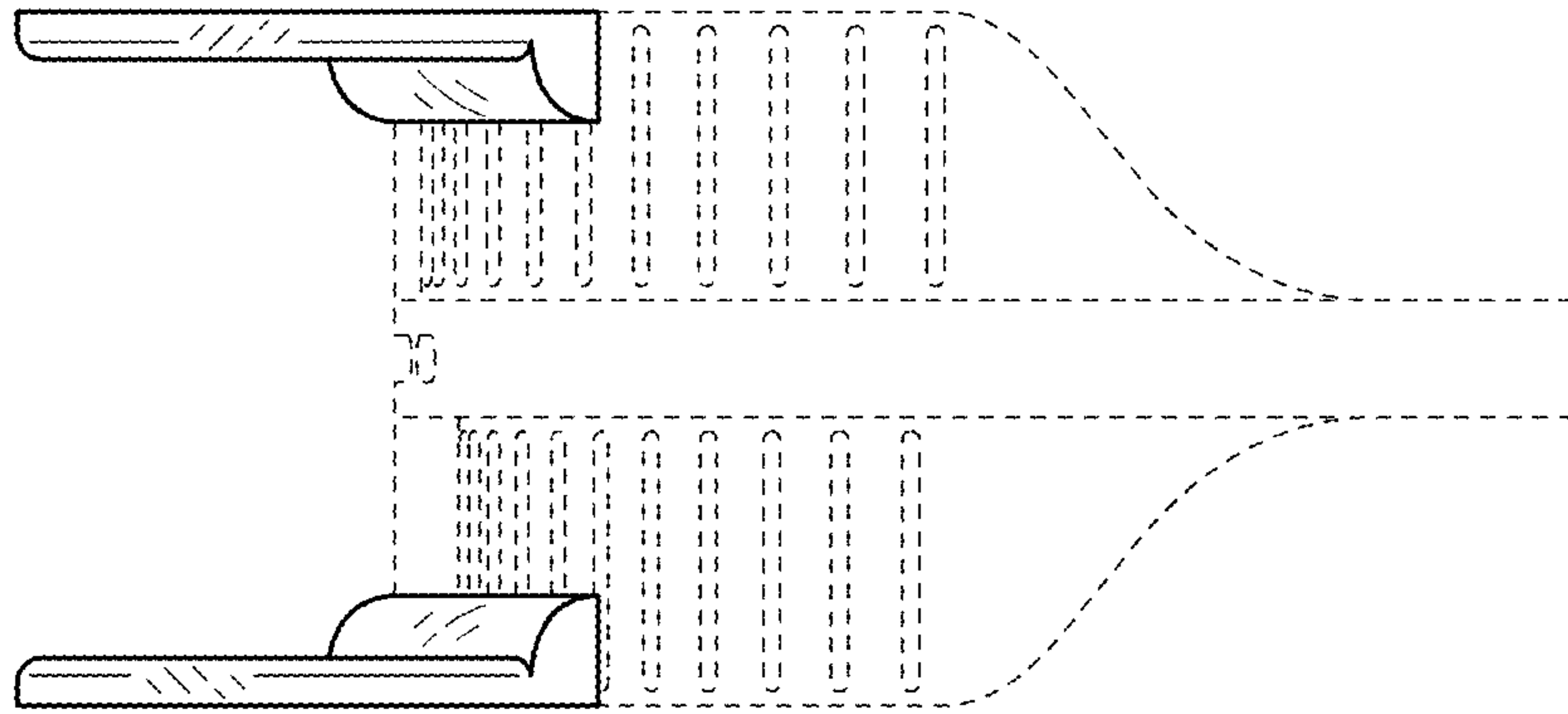


FIG. 5

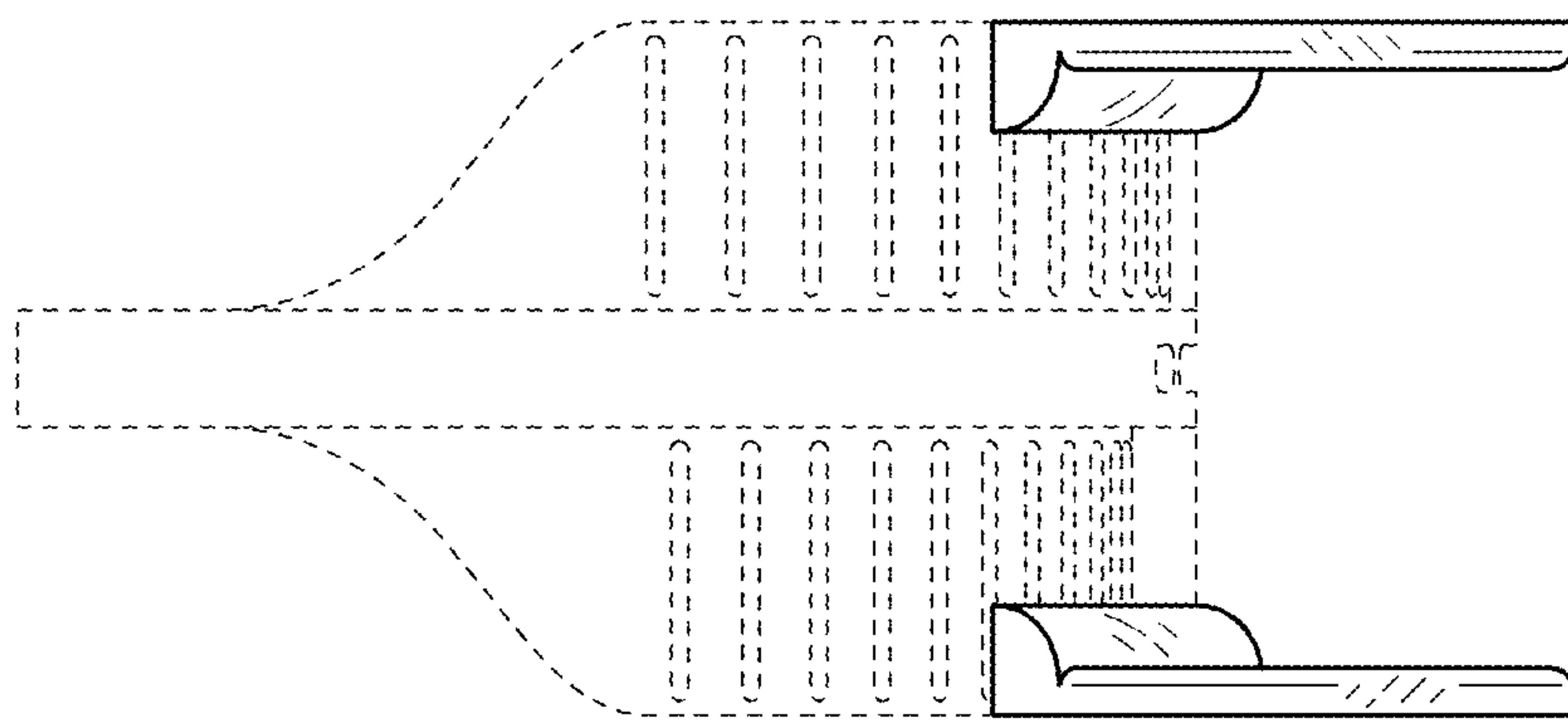


FIG. 6

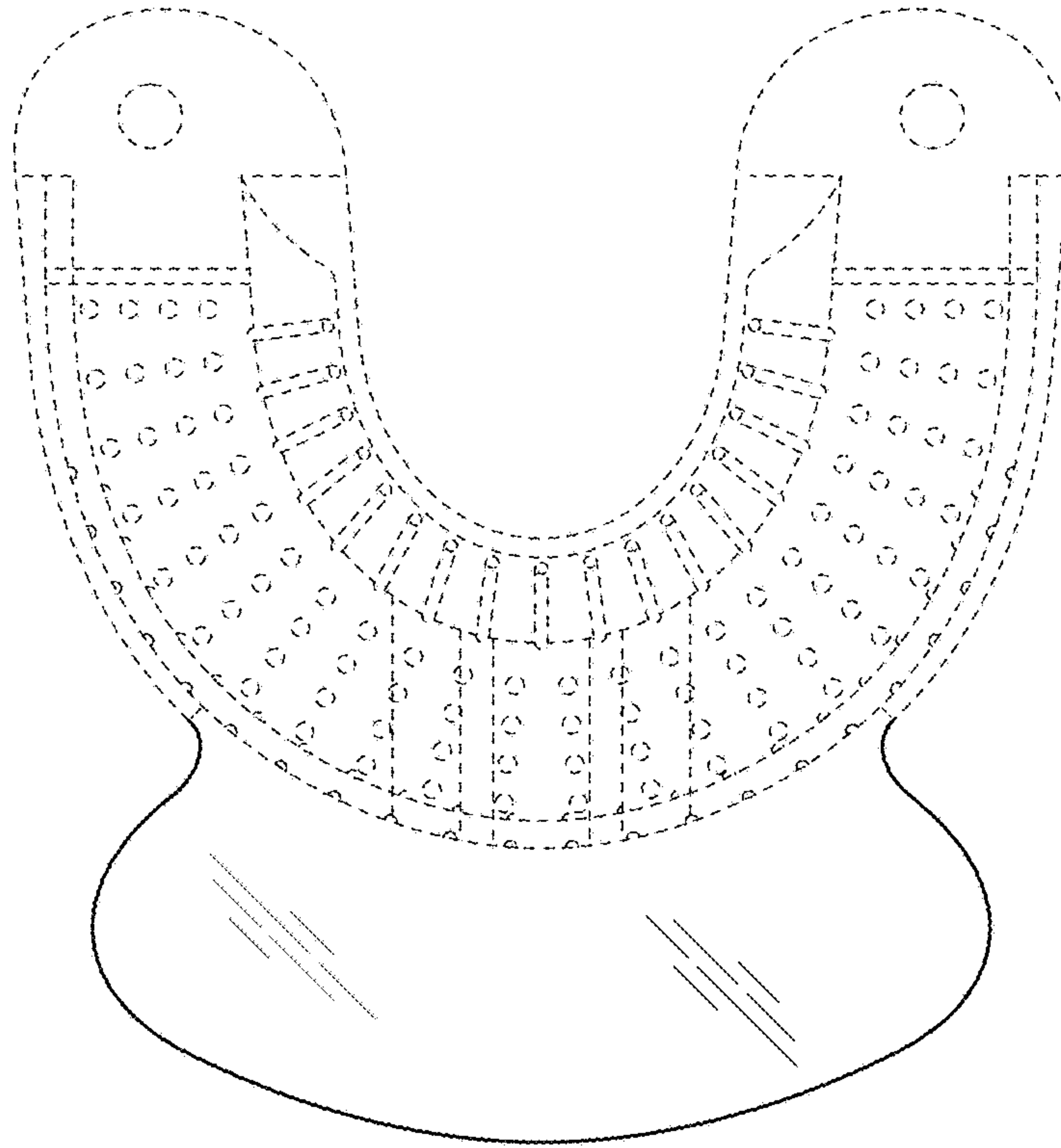


FIG. 7

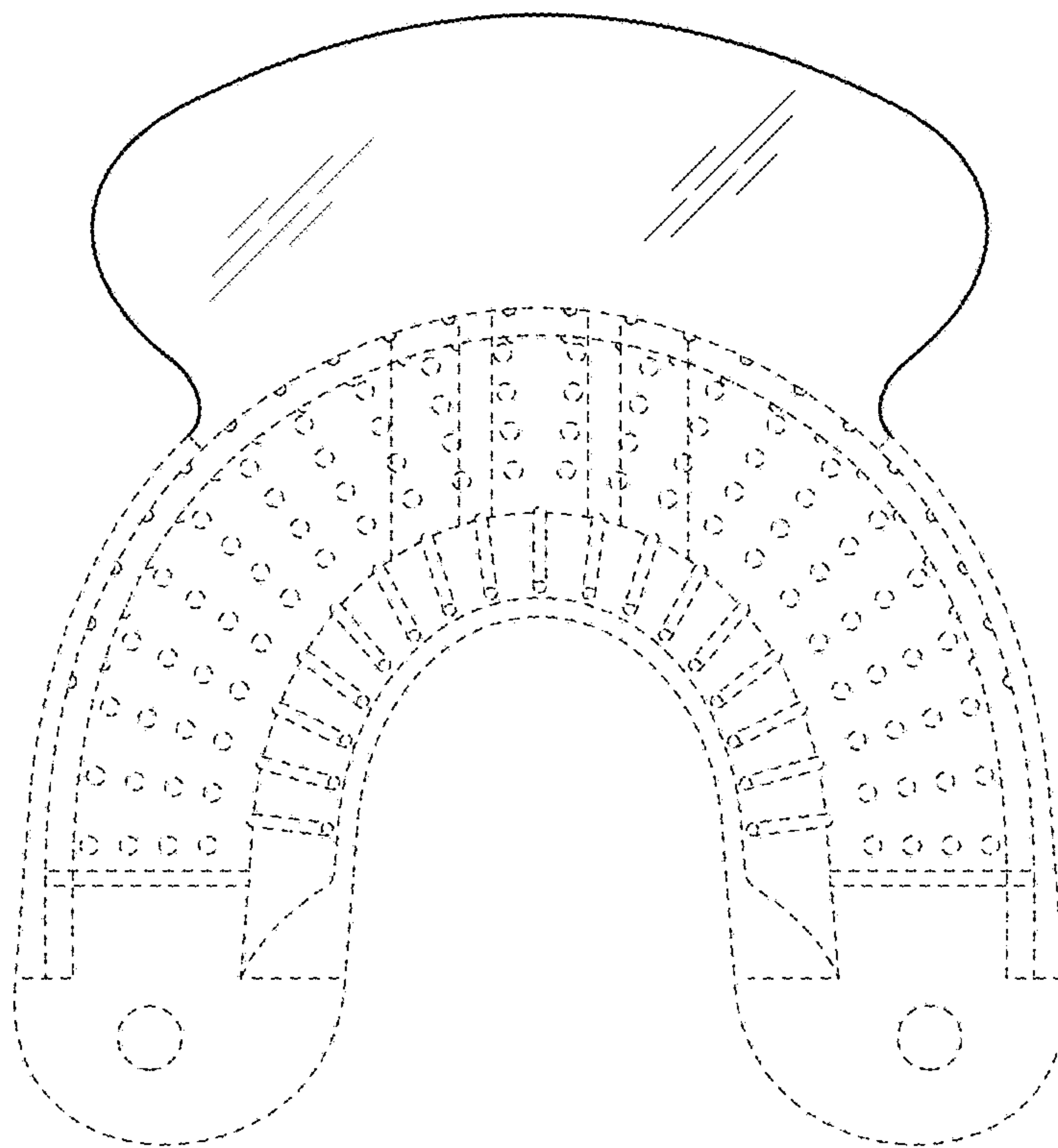


FIG. 8