



US00D795435S

(12) **United States Design Patent** (10) **Patent No.:** **US D795,435 S**
Liu (45) **Date of Patent:** **** Aug. 22, 2017**

(54) **RADIOTHERAPEUTIC DEVICE**
(71) Applicant: **Xi'an Cyber Medical Technology Co., Ltd.**, Xi'an (CN)
(72) Inventor: **Haifeng Liu**, Xi'an (CN)
(73) Assignee: **XI'AN CYBER MEDICAL TECHNOLOGY CO., LTD.**, Xi'An (CN)

D386,261 S * 11/1997 Lee D24/159
D564,663 S * 3/2008 Udagawa D24/158
D678,527 S * 3/2013 Boninger D24/158
D715,943 S * 10/2014 Zhang D24/159
D766,441 S * 9/2016 Liu D24/159
2009/0270769 A1* 10/2009 Rousseau A61N 5/1084
600/595

(**) Term: **15 Years**
(21) Appl. No.: **29/544,944**

* cited by examiner
Primary Examiner — Anhdao Doan
(74) *Attorney, Agent, or Firm* — Hemisphere Law, PLLC

(22) Filed: **Nov. 8, 2015**
(30) **Foreign Application Priority Data**

(57) **CLAIM**
The ornamental design for a radiotherapeutic device, as shown and described.

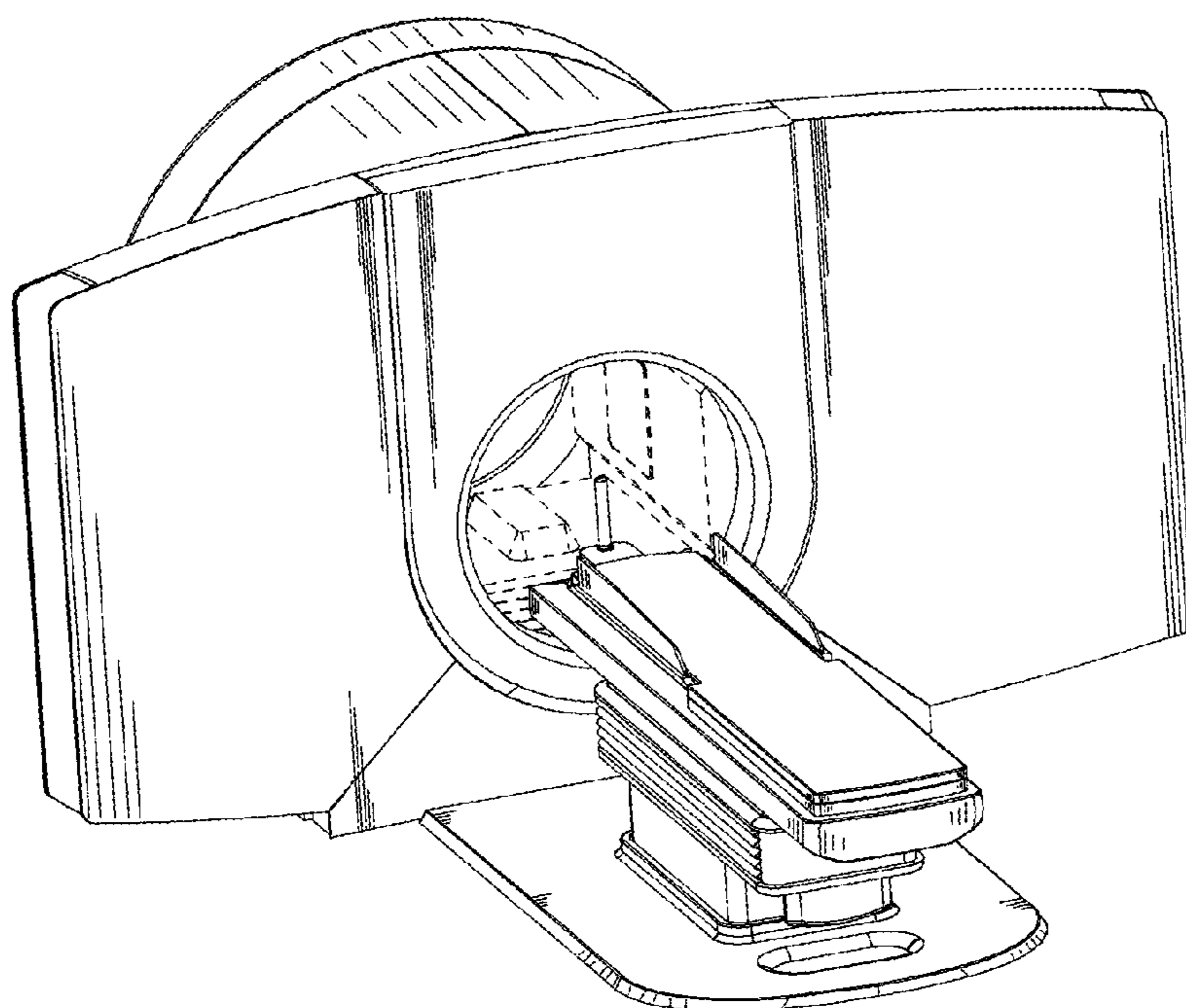
Oct. 30, 2015 (CN) 2015 3 0426723
(51) **LOC (10) Cl.** **24-01**
(52) **U.S. Cl.**
USPC **D24/158**
(58) **Field of Classification Search**
USPC D24/158-161, 185, 186, 107
CPC .. A61B 5/05; A61B 5/055; A61B 6/03; A61B 6/035; A61N 5/01; A61N 5/10; A61N 5/1081; A61N 5/1084
See application file for complete search history.

DESCRIPTION

FIG. 1 is a front perspective view of a radiotherapeutic device showing our new ornamental design; FIG. 2 is a front elevational view thereof; FIG. 3 is a rear elevational view thereof; FIG. 4 is a left side elevational view thereof; FIG. 5 is a right side elevational view thereof; and, FIG. 6 is a top plan view thereof. The bottom view of the radiotherapeutic device is flat and unornamented. The broken lines shown in the drawings illustrate portions of the radiotherapeutic device that form no part of the claimed design.

(56) **References Cited**
U.S. PATENT DOCUMENTS
D300,849 S * 4/1989 Steinhilber D24/159
D345,606 S * 3/1994 Perusek D24/159

1 Claim, 6 Drawing Sheets



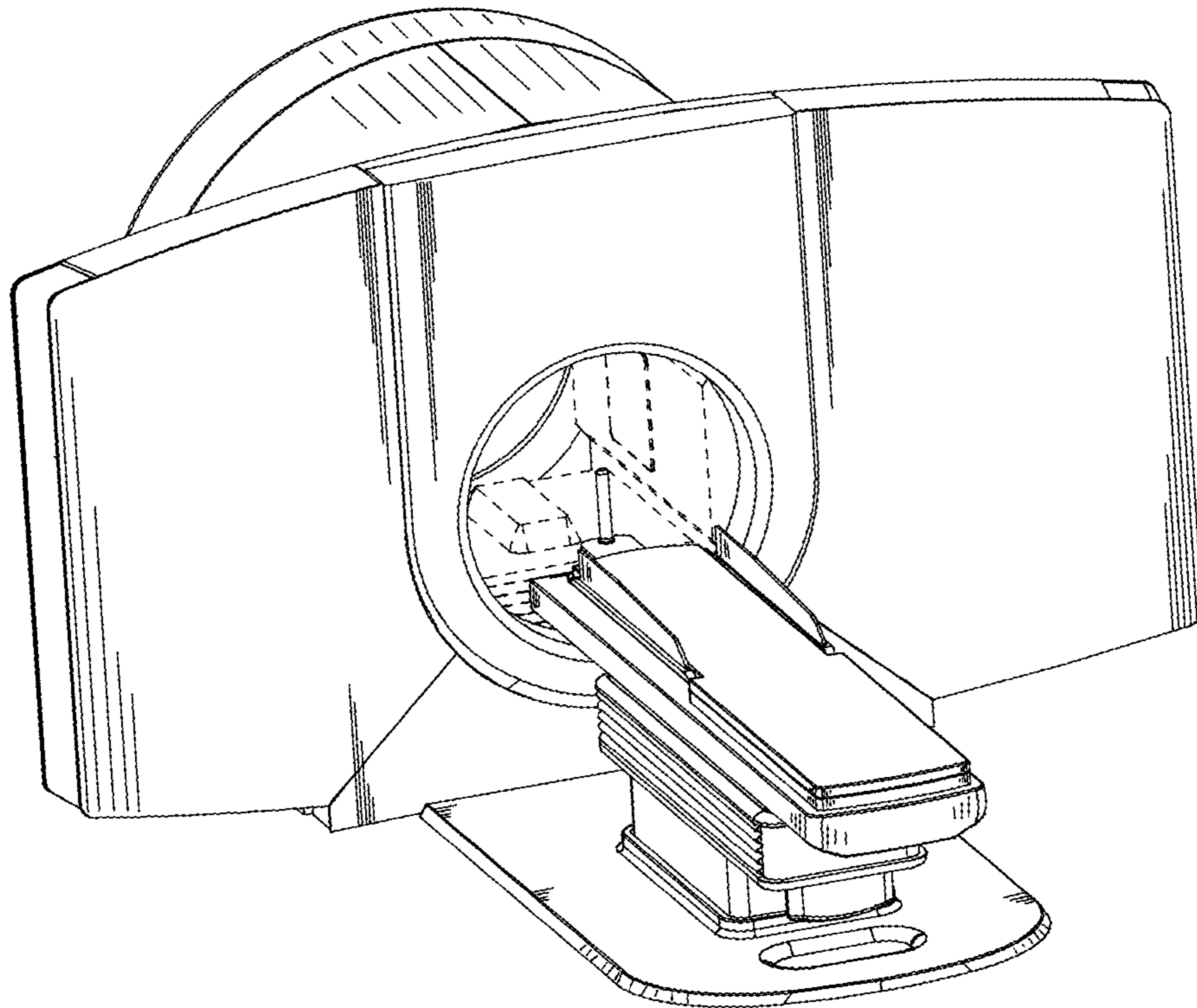


FIG. 1

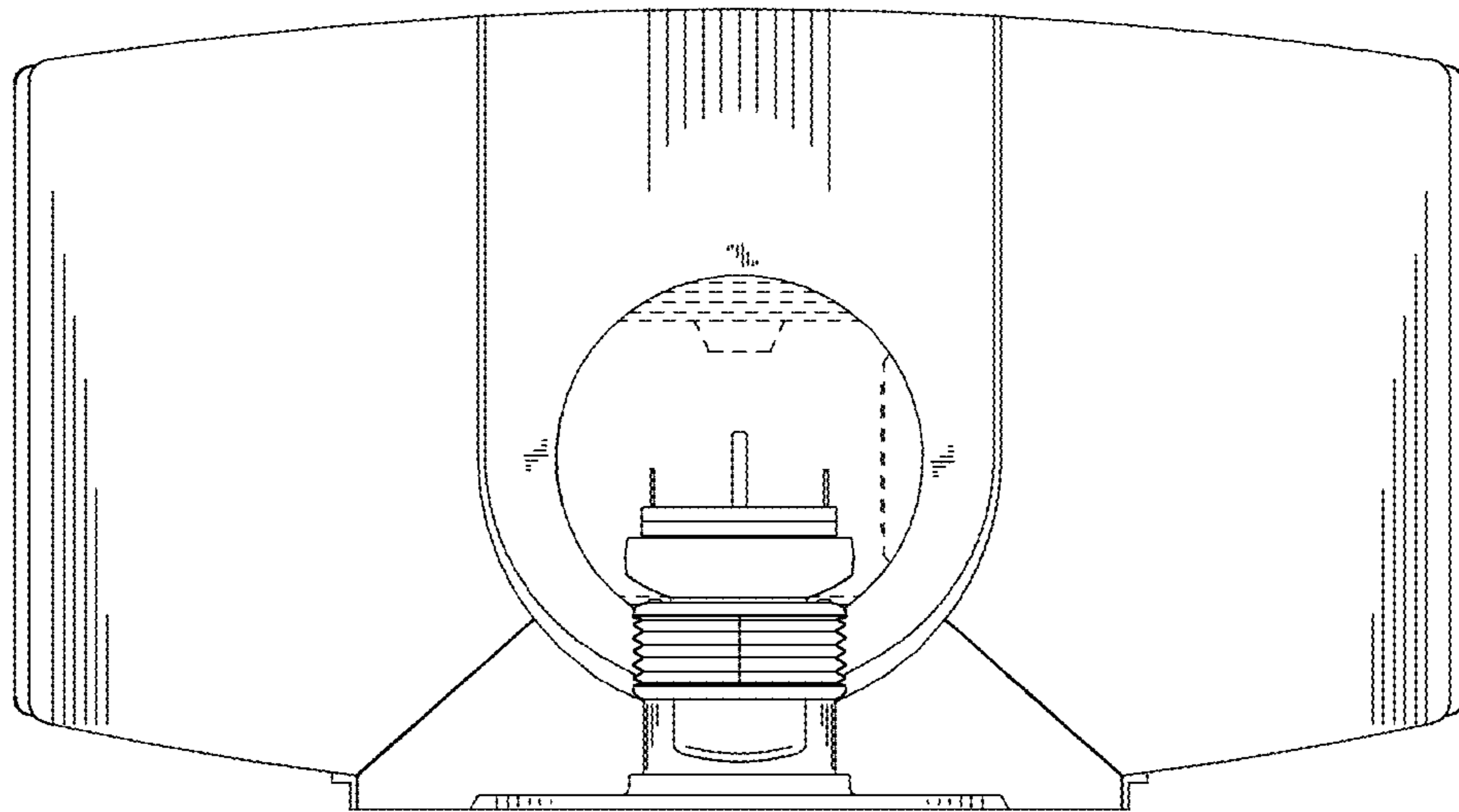


FIG. 2

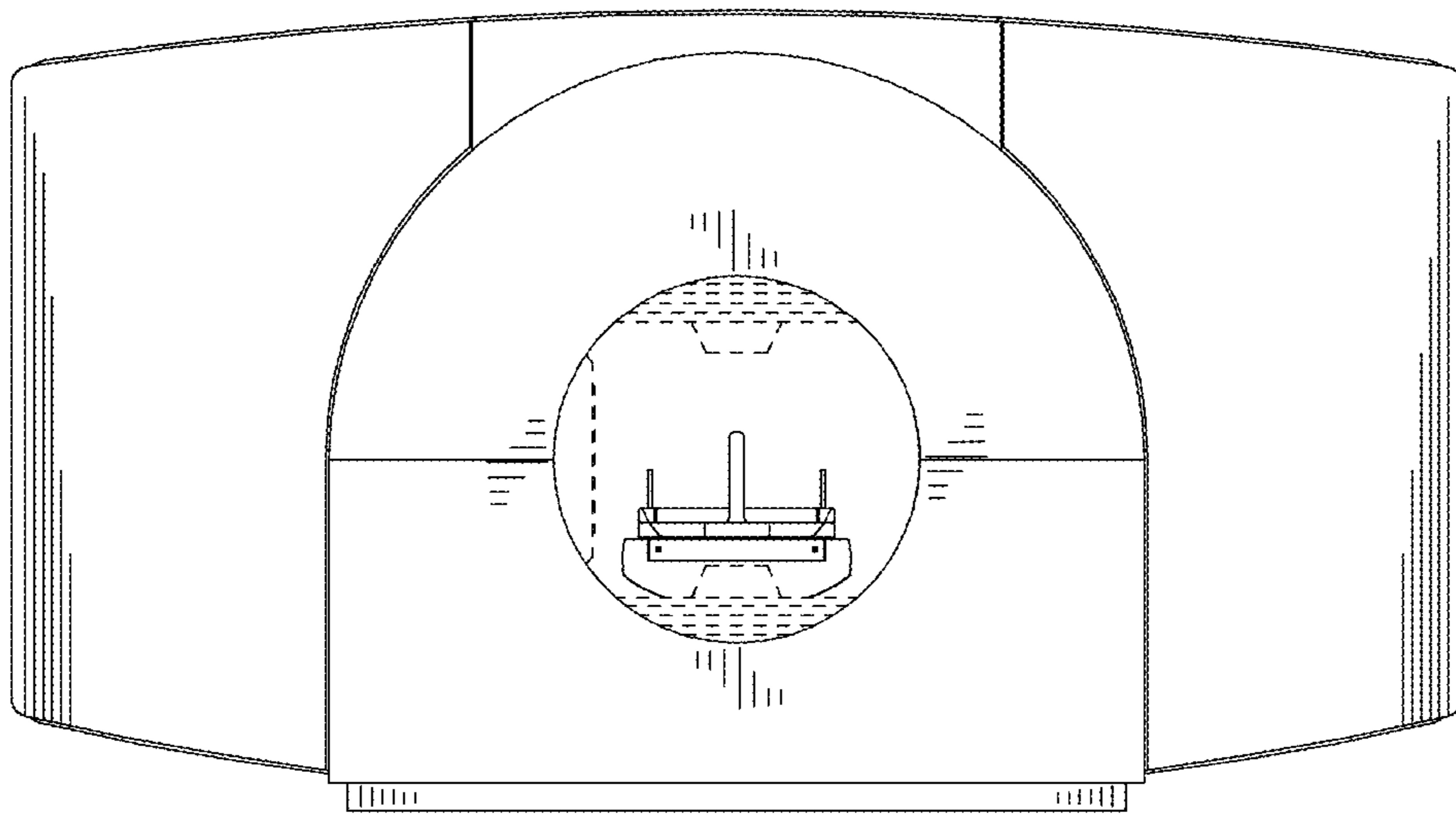


FIG. 3

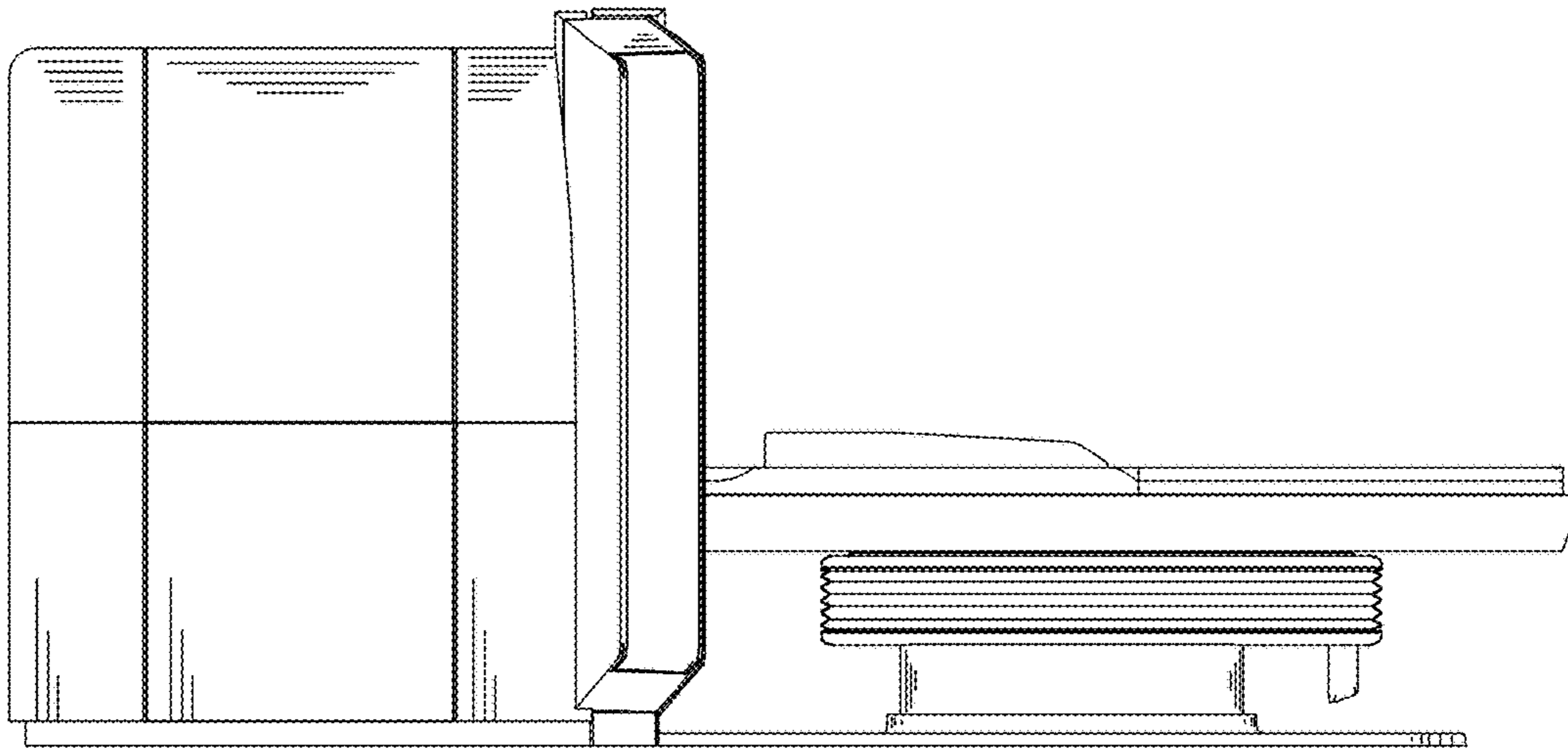


FIG. 4

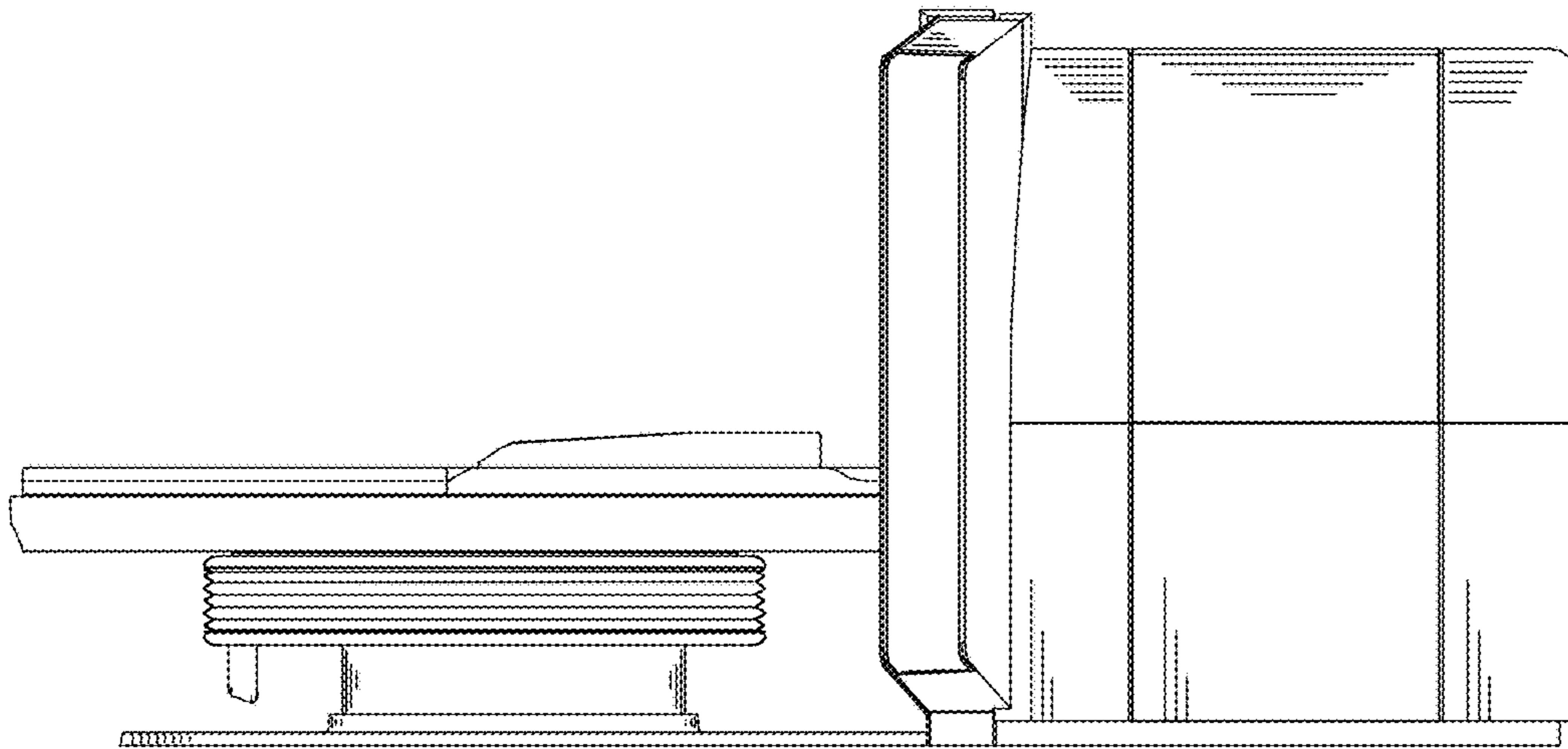


FIG. 5

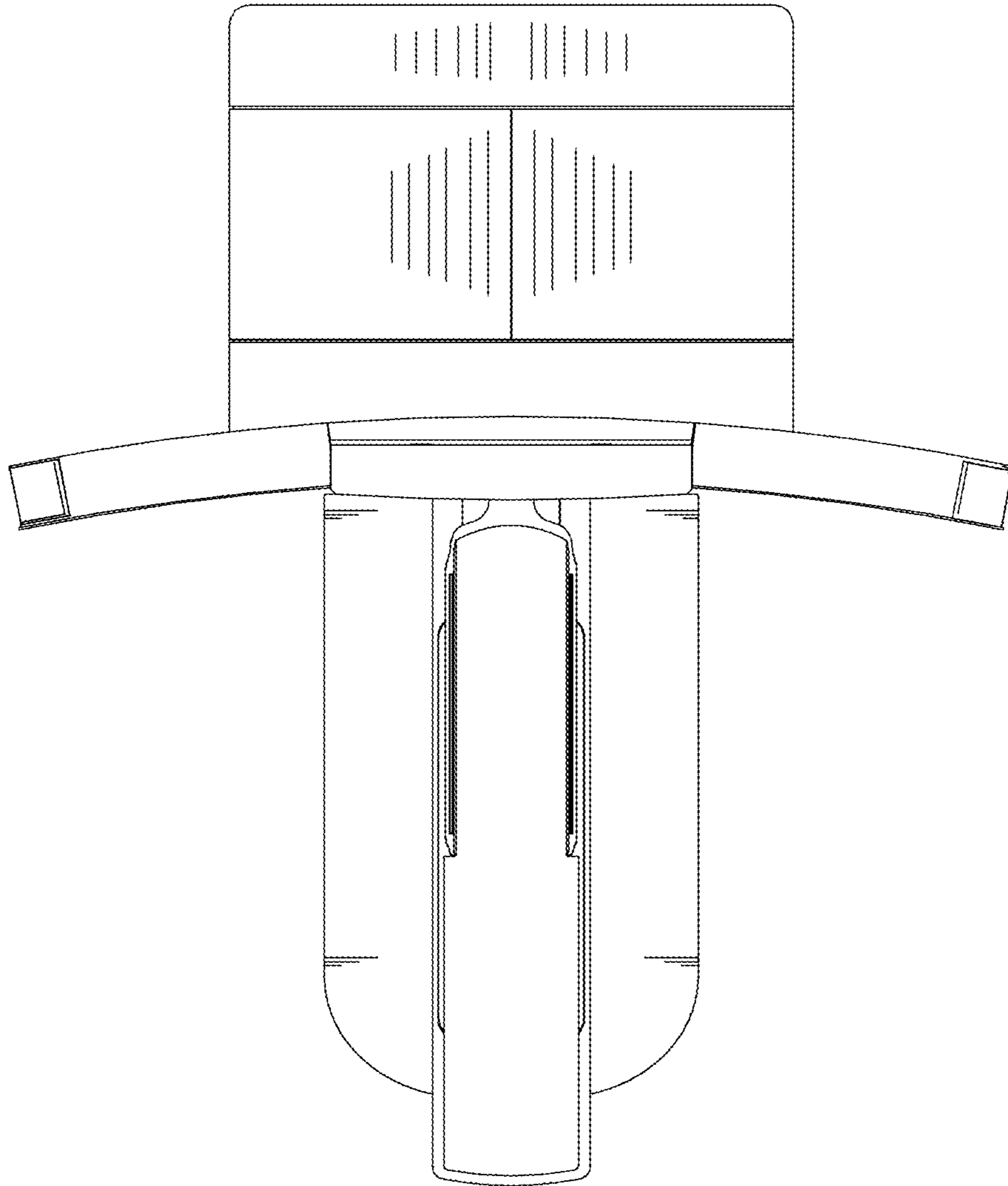


FIG. 6