

US00D795432S

(12) **United States Design Patent** (10) **Patent No.:** **US D795,432 S**
Radzinsky (45) **Date of Patent:** **** Aug. 22, 2017**

- (54) **PLUG**
- (71) Applicant: **Vladimir Radzinsky**, Beverly Hills, CA (US)
- (72) Inventor: **Vladimir Radzinsky**, Beverly Hills, CA (US)
- (**) Term: **15 Years**
- (21) Appl. No.: **29/559,125**
- (22) Filed: **Mar. 24, 2016**

4,593,431 A	6/1986	Sandberg	
4,608,054 A	8/1986	Schroder	
D298,410 S *	11/1988	Duke	D8/300
5,647,105 A	7/1997	Candotti	
5,735,021 A	4/1998	Briggs	
D398,214 S *	9/1998	Yui	D8/312
6,231,618 B1	5/2001	Schall	
D462,767 S	9/2002	Meyer	
D462,769 S	9/2002	Meyer	
6,511,512 B2	1/2003	Phillips	
D475,270 S *	6/2003	Loyd	D8/312
D500,241 S *	12/2004	Choi	D8/310
D527,458 S	8/2006	Harn	
D569,219 S *	5/2008	Sjogren	D8/310
D617,460 S	6/2010	Okuda	
7,727,285 B2	6/2010	Christensen	
7,766,974 B2	8/2010	Curtis	
D736,385 S	8/2015	Nakaya	
9,138,624 B2	9/2015	Maugham	
9,198,778 B2	12/2015	Celebi	
D777,008 S *	1/2017	Nesbitt	D8/310
2005/0033451 A1	2/2005	Aigner	

Related U.S. Application Data

- (60) Division of application No. 14/727,539, filed on Jun. 1, 2015, which is a division of application No. 14/204,591, filed on Mar. 11, 2014, now abandoned, which is a continuation-in-part of application No. 14/162,087, filed on Jan. 23, 2014, now Pat. No. 9,155,635.
- (51) **LOC (10) Cl.** **24-02**
- (52) **U.S. Cl.**
USPC **D24/155**
- (58) **Field of Classification Search**
USPC D24/155-157; D8/310, 311, 312
CPC A61F 2/80; A61F 2/60; A61F 2/76; A61F 2/68; A61F 2/64; A61F 2220/0025; A61F 2220/41; A61F 2002/607; A61F 2002/802; A61F 2002/5007
See application file for complete search history.

References Cited

U.S. PATENT DOCUMENTS

1,481,784 A	1/1924	Warner
1,826,683 A	10/1931	Warner
1,831,307 A	11/1931	King
2,564,858 A	8/1951	Reiter
3,159,847 A	12/1964	Prout

Primary Examiner — Charles Hanson

(74) *Attorney, Agent, or Firm* — James Juo

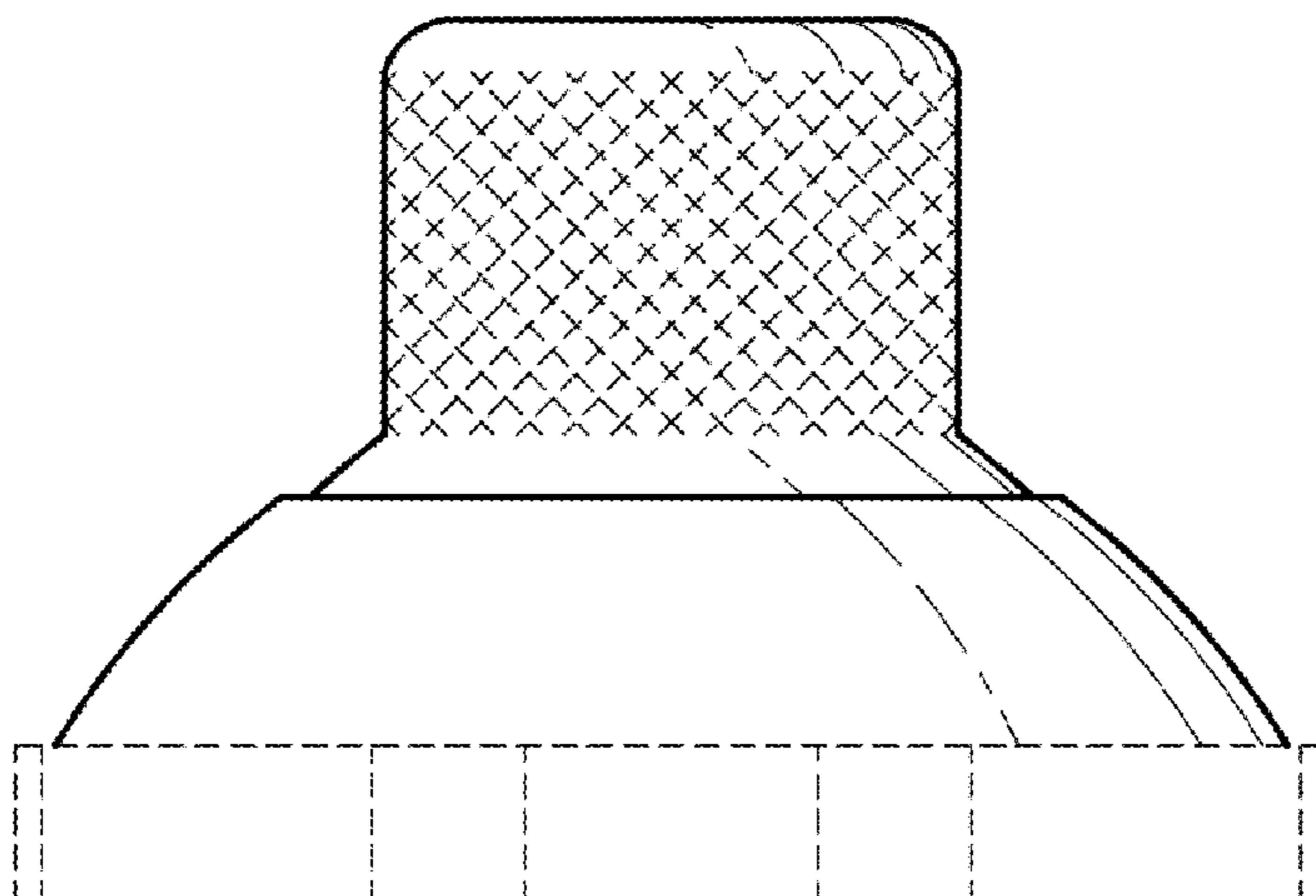
(57) **CLAIM**

The ornamental design for a plug, as shown and described.

DESCRIPTION

FIG. 1 is a perspective view of the plug;
 FIG. 2 is a front elevation view of the plug;
 FIG. 3 is a rear elevation view of the plug;
 FIG. 4 is a right side elevation view of the plug;
 FIG. 5 is a left side elevation view of the plug;
 FIG. 6 is a top plan view of the plug; and,
 FIG. 7 is a bottom plan view of the plug.
 Broken lines appearing in the drawings are intended to be for illustrative purposes only and form no part of the claimed design.

1 Claim, 4 Drawing Sheets



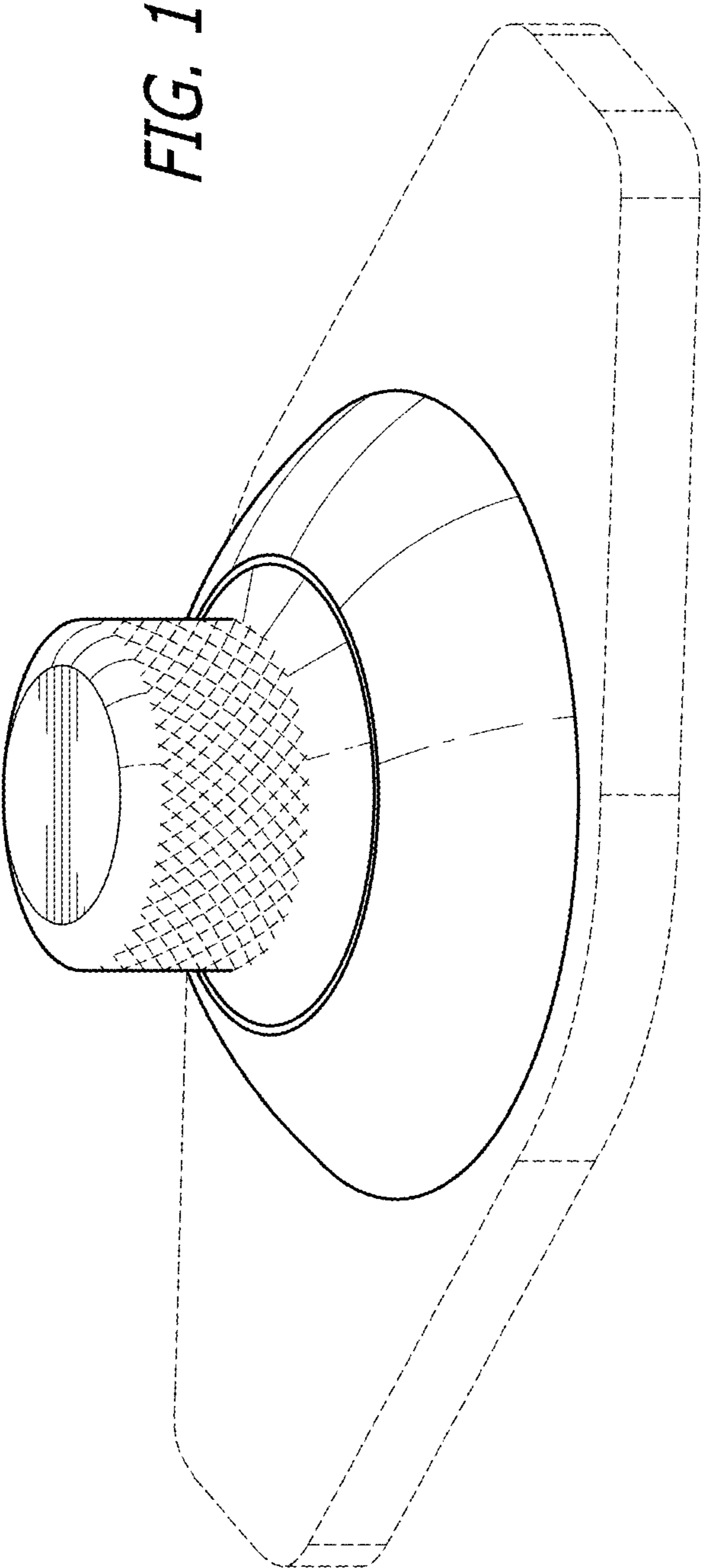
(56)

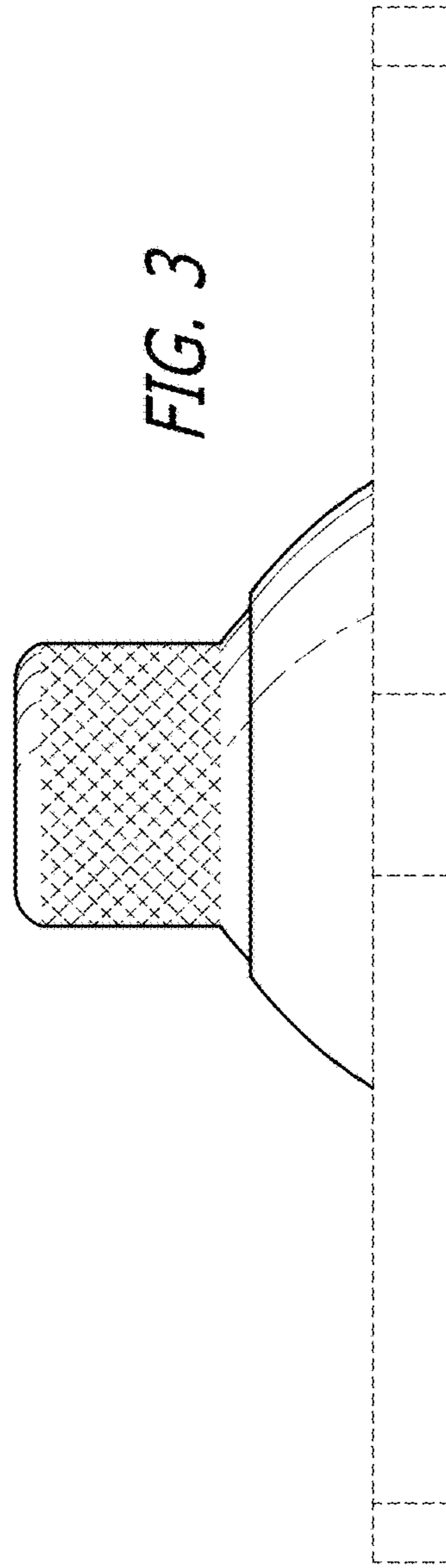
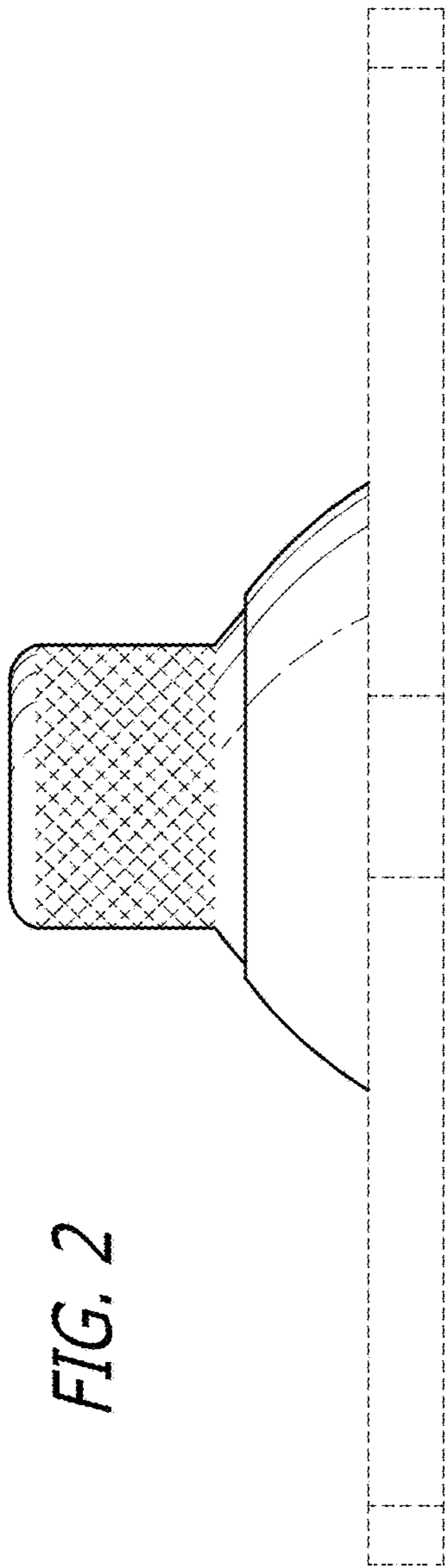
References Cited

U.S. PATENT DOCUMENTS

2005/0038523 A1* 2/2005 Cheng A61F 2/644
623/44
2006/0173554 A1* 8/2006 Slemker A61F 2/64
623/38
2008/0228288 A1 9/2008 Nelson
2010/0036506 A1* 2/2010 Wang A61F 2/60
623/38
2012/0124786 A1* 5/2012 Fiedler A45C 13/1069
24/303

* cited by examiner





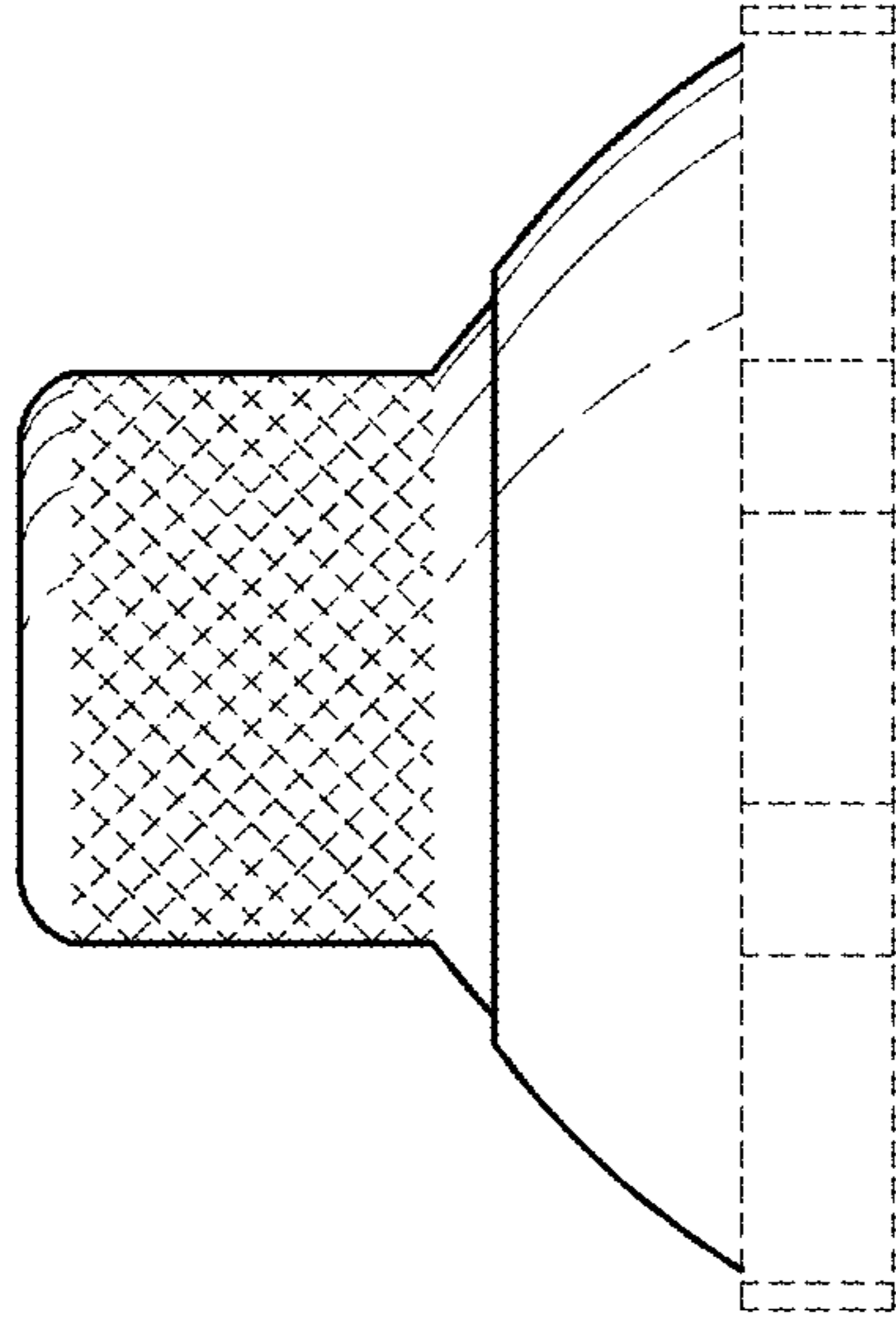


FIG. 5

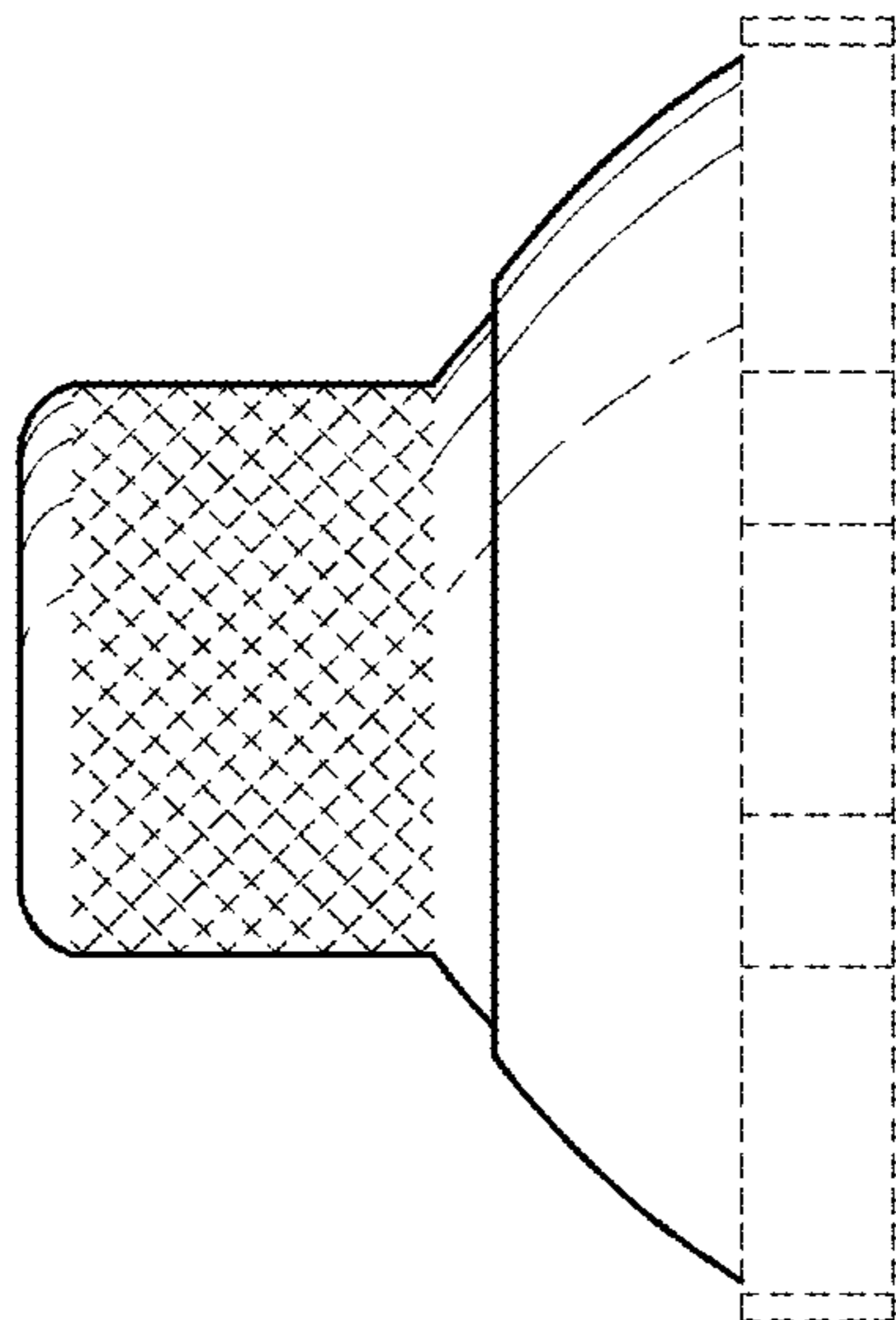


FIG. 4

FIG. 6

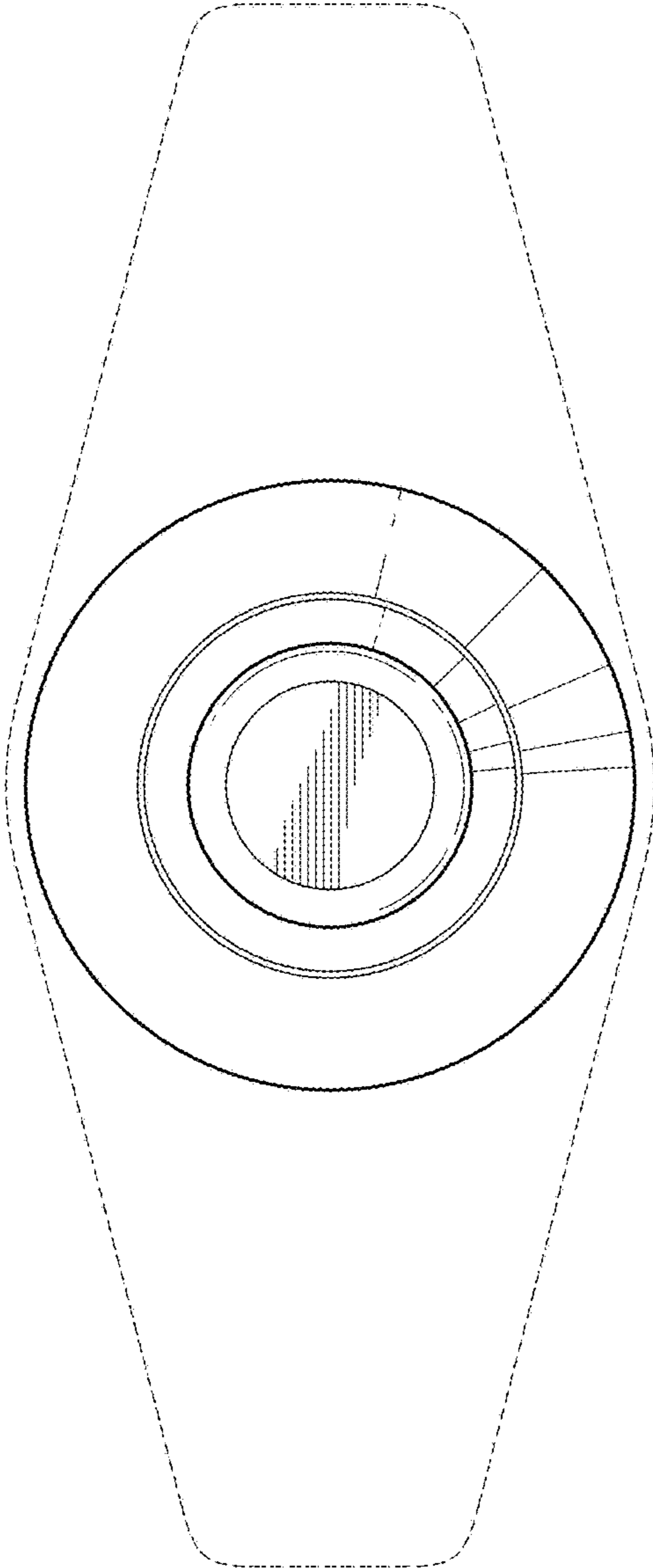


FIG. 7

