



US00D795429S

(12) **United States Design Patent** (10) **Patent No.:** **US D795,429 S**
Wright et al. (45) **Date of Patent:** **** Aug. 22, 2017**

(54) **DENTAL IMPLANT TOOL**

(71) Applicant: **Dental Tool Development, LLC,**
Joplin, MO (US)

(72) Inventors: **Johnny Shane Wright,** Galena, KS
(US); **John Henry Joseph, II,** Joplin,
MO (US)

(73) Assignee: **DENTAL TOOL DEVELOPMENT,**
LLC, Joplin, MO (US)

(**) Term: **15 Years**

(21) Appl. No.: **29/560,927**

(22) Filed: **Apr. 12, 2016**

(51) **LOC (10) Cl.** **24-02**

(52) **U.S. Cl.**
USPC **D24/152**

(58) **Field of Classification Search**
USPC D24/152-153, 156, 133, 143; D28/55
CPC A45D 26/0066; A61B 17/29-17/30; A61B
2017/305; B25B 9/02; A61C 3/00; A61C
3/10; A61C 3/14; A61C 3/16; A61C
8/0089

See application file for complete search history.

(56) **References Cited**

U.S. PATENT DOCUMENTS

3,741,602 A * 6/1973 Ploeckelmann B25B 9/02
294/33
4,001,940 A * 1/1977 Cusato A61C 3/00
29/229
D301,279 S * 5/1989 von Amende D24/153
5,120,221 A 6/1992 Orenstein et al.
6,431,864 B1 * 8/2002 Silverstein A61C 3/10
433/159
6,776,615 B2 * 8/2004 Dietrich A61C 3/10
433/159

8,936,287 B2 * 1/2015 Stayton B25B 9/02
294/902
2002/0106609 A1 * 8/2002 Palermo A61C 3/10
433/159
2008/0076090 A1 * 3/2008 Pfothenauer A61C 3/10
433/159

(Continued)

OTHER PUBLICATIONS

Ceranic, "Accurately Seating Inclusive Custom Abutments Using an Acrylic Jig," Glidewell Laboratories, vol. 2, issue 4, p. 1-7 (2016).

(Continued)

Primary Examiner — Wan Laymon

(74) *Attorney, Agent, or Firm* — Jenkins, Wilson, Taylor & Hunt P.A.

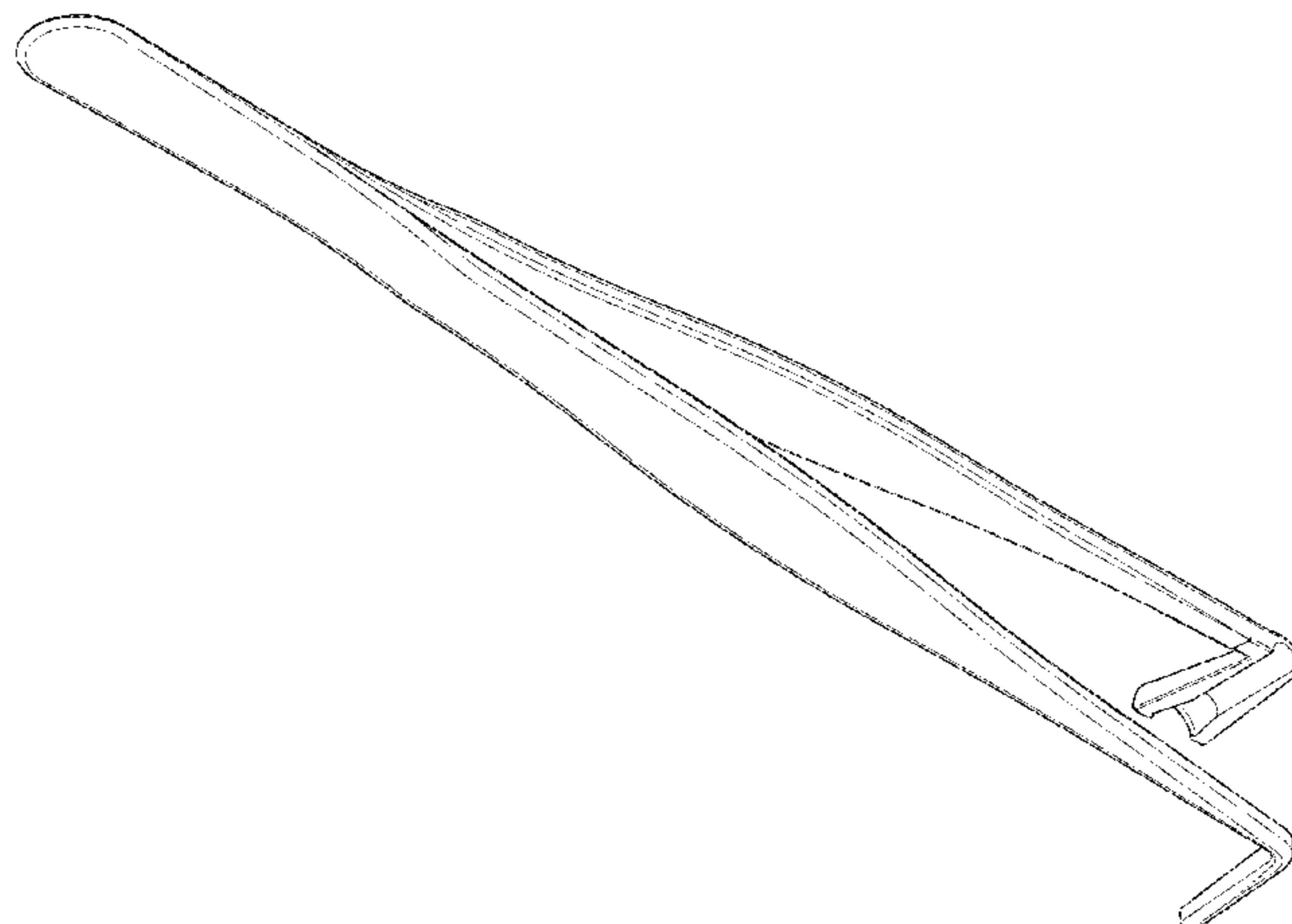
(57) **CLAIM**

The ornamental design for dental implant tool, as shown and described.

DESCRIPTION

FIG. 1 is a first perspective view of the dental implant tool showing our design, according to a first embodiment; FIG. 2 is a second perspective view of FIG. 1; FIG. 3 is a third perspective view of FIG. 1; FIG. 4 is a fourth perspective view of FIG. 1; FIG. 5 is a right side view of FIGS. 1 through 4; FIG. 6 is a left side view opposite the view of FIG. 5; FIG. 7 is a top view of FIGS. 1 through 4; FIG. 8 is a bottom view opposite the view of FIG. 7; FIG. 9 is a rear view of FIGS. 1 through 4; FIG. 10 is a front view opposite the view of FIG. 9; FIG. 11 is an enlarged perspective view of FIG. 1 shown broken in the middle for ease of illustration; and, FIG. 12 is an enlarged second perspective view of FIG. 1 shown broken in the middle for ease of illustration.

(Continued)



The bracketed portion in FIGS. 11 and 12 has been removed to enlarge the remainder of the illustrated design. The brackets do not form part of the claimed design.

1 Claim, 9 Drawing Sheets

(56) **References Cited**

U.S. PATENT DOCUMENTS

2010/0092918 A1 4/2010 Muller et al.
2014/0329200 A1 11/2014 Mahl
2015/0351869 A1* 12/2015 Fulkerson A61C 3/10
433/156

OTHER PUBLICATIONS

International Search Report and Written Opinion for Application
No. PCT/US2017/016019 dated Apr. 10, 2017.

* cited by examiner

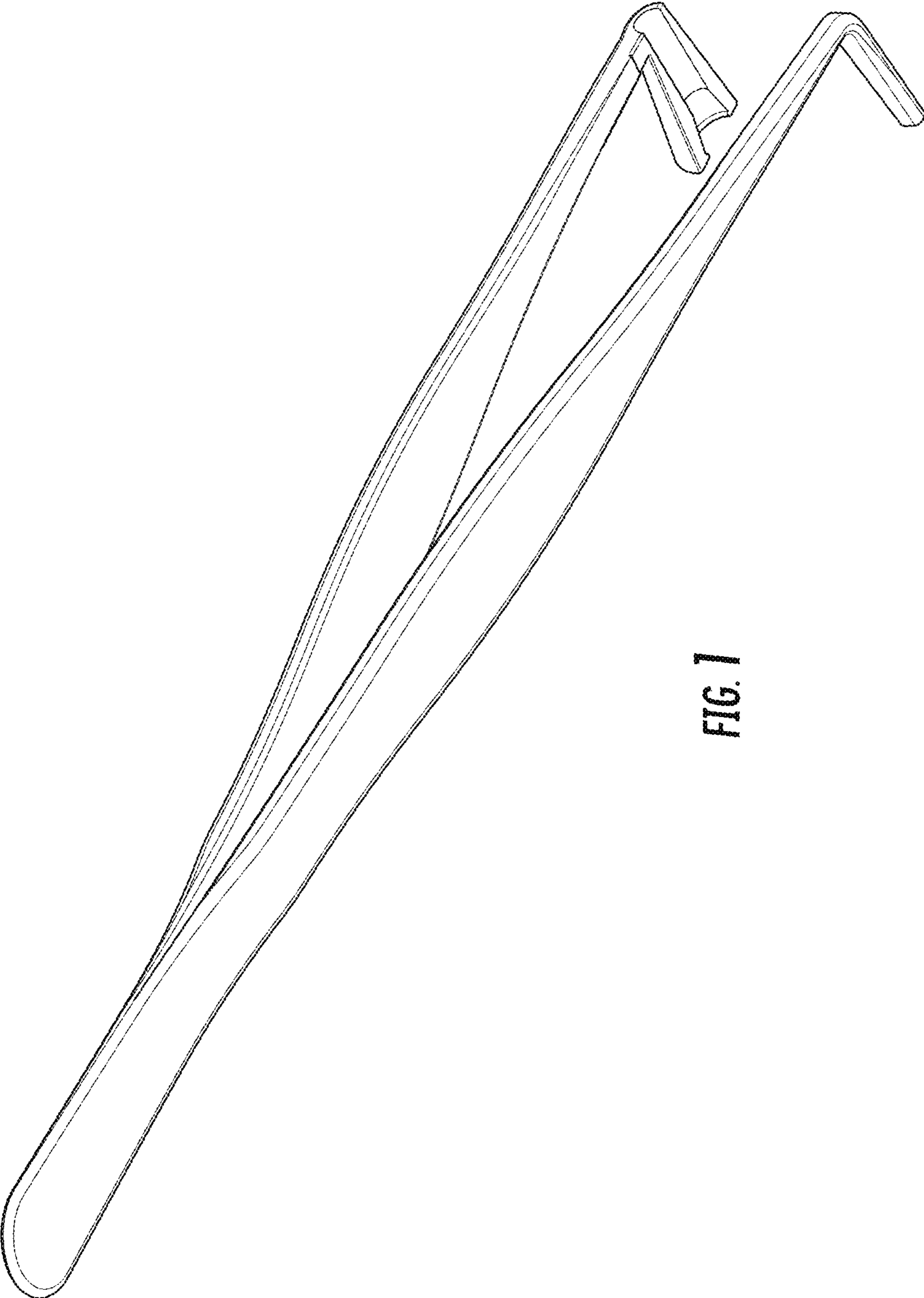


FIG. 1

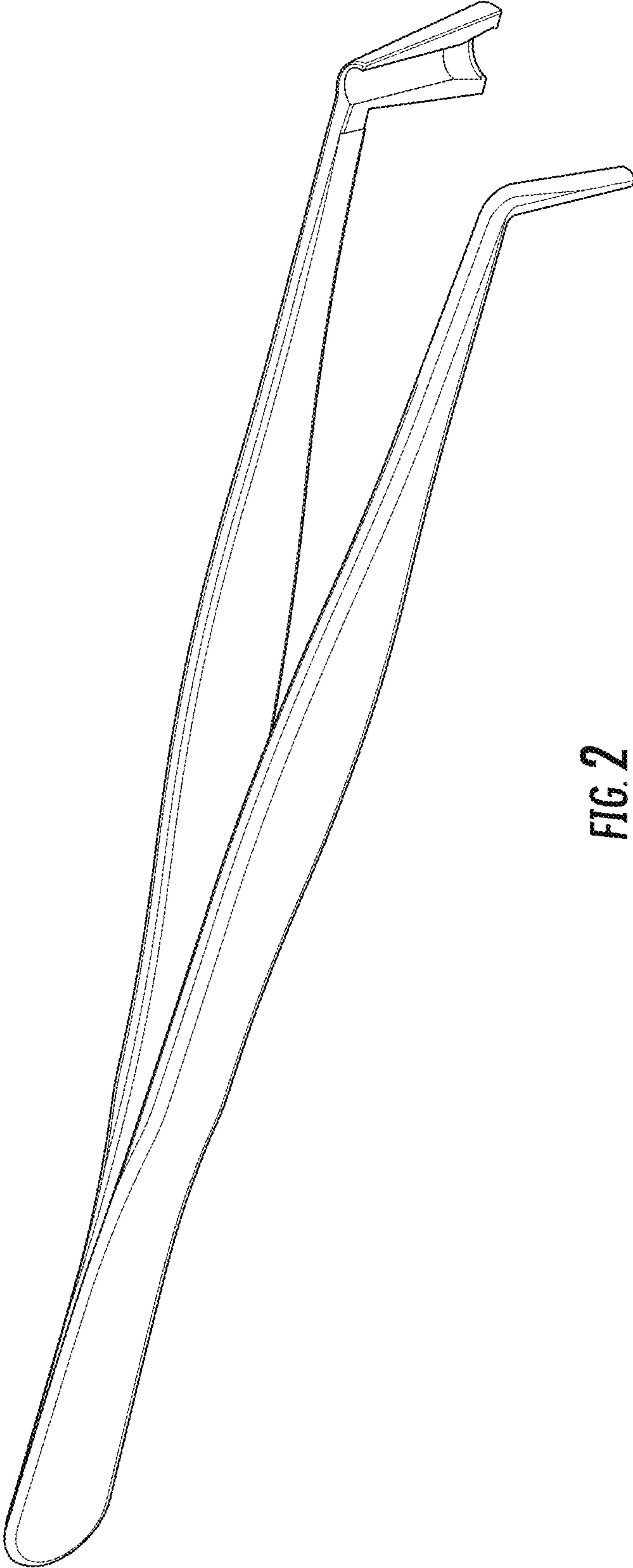


FIG. 2

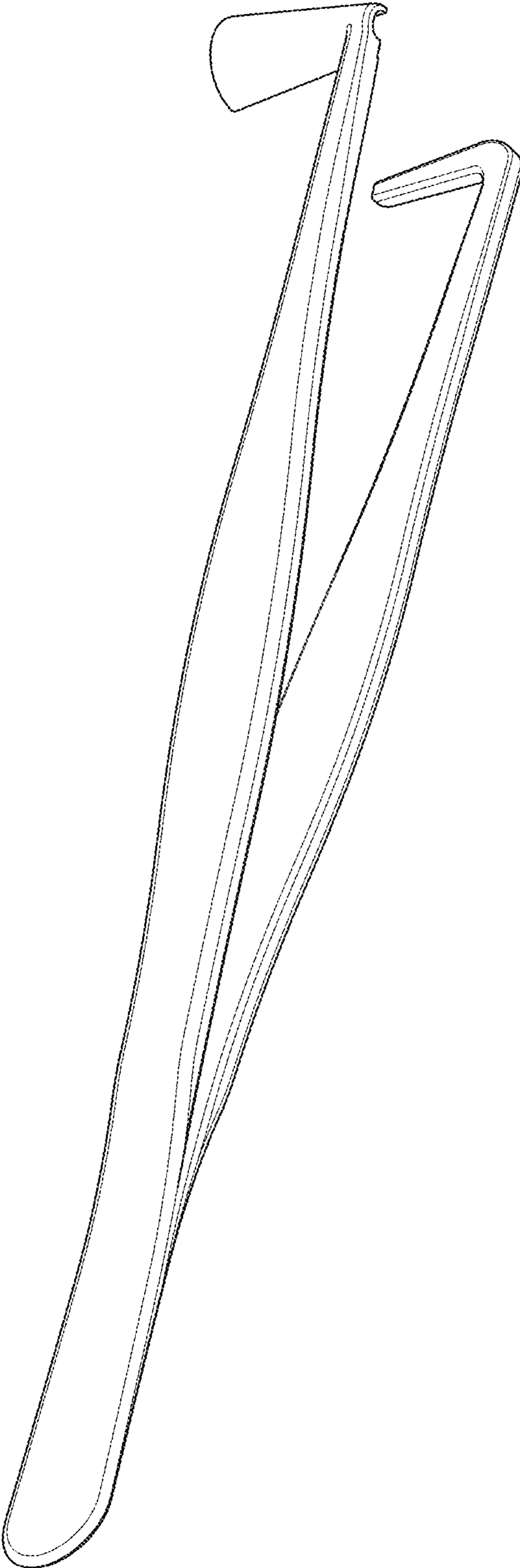


FIG. 3

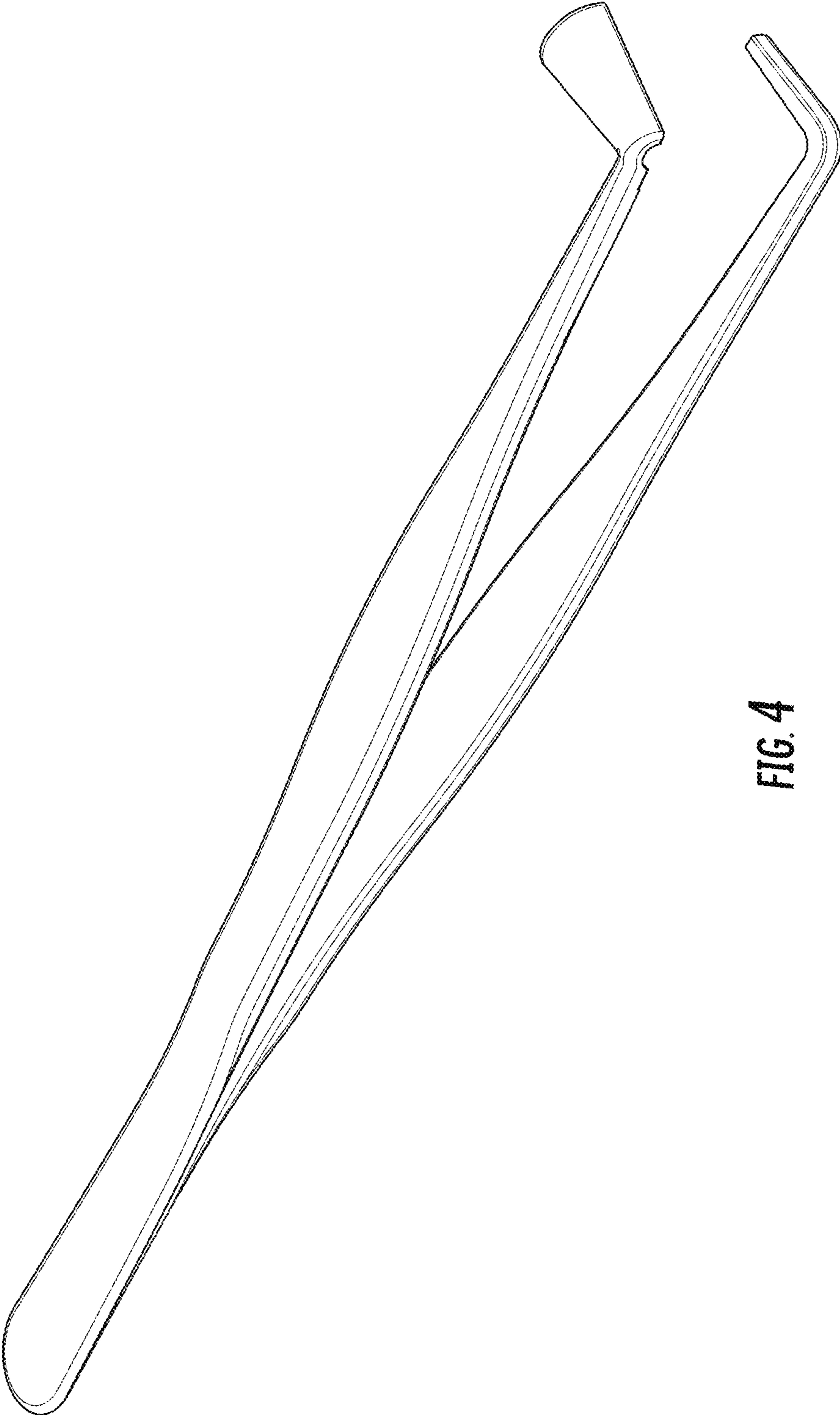


FIG. 4

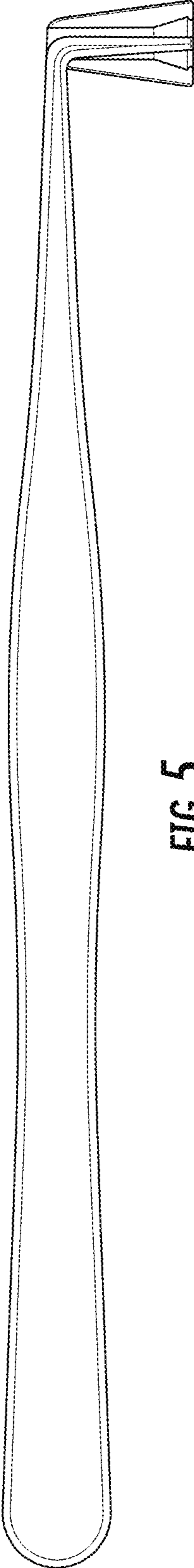


FIG. 5

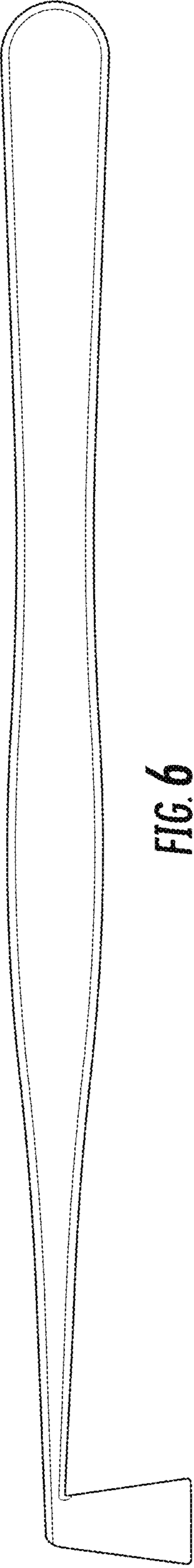


FIG. 6

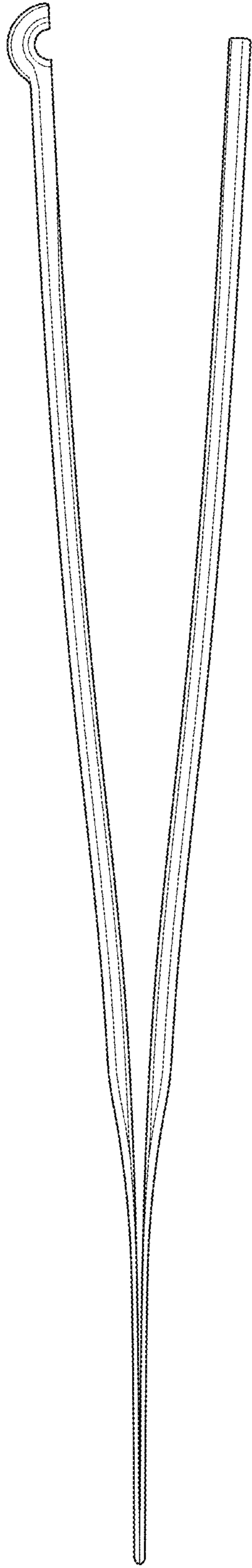


FIG. 7

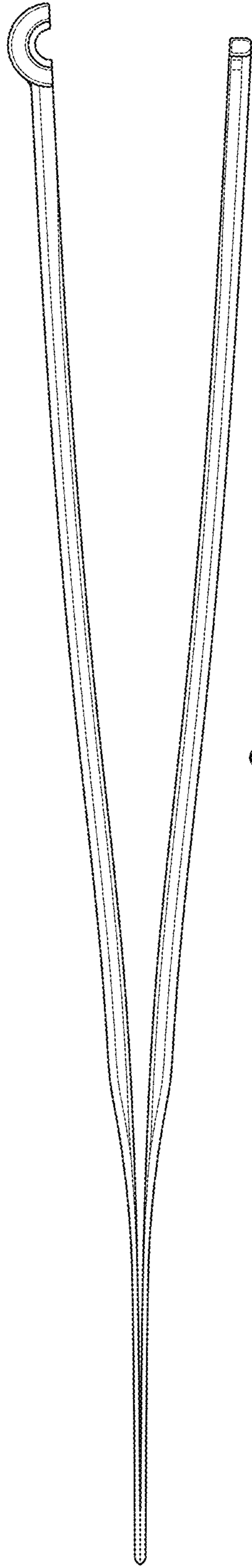


FIG. 8

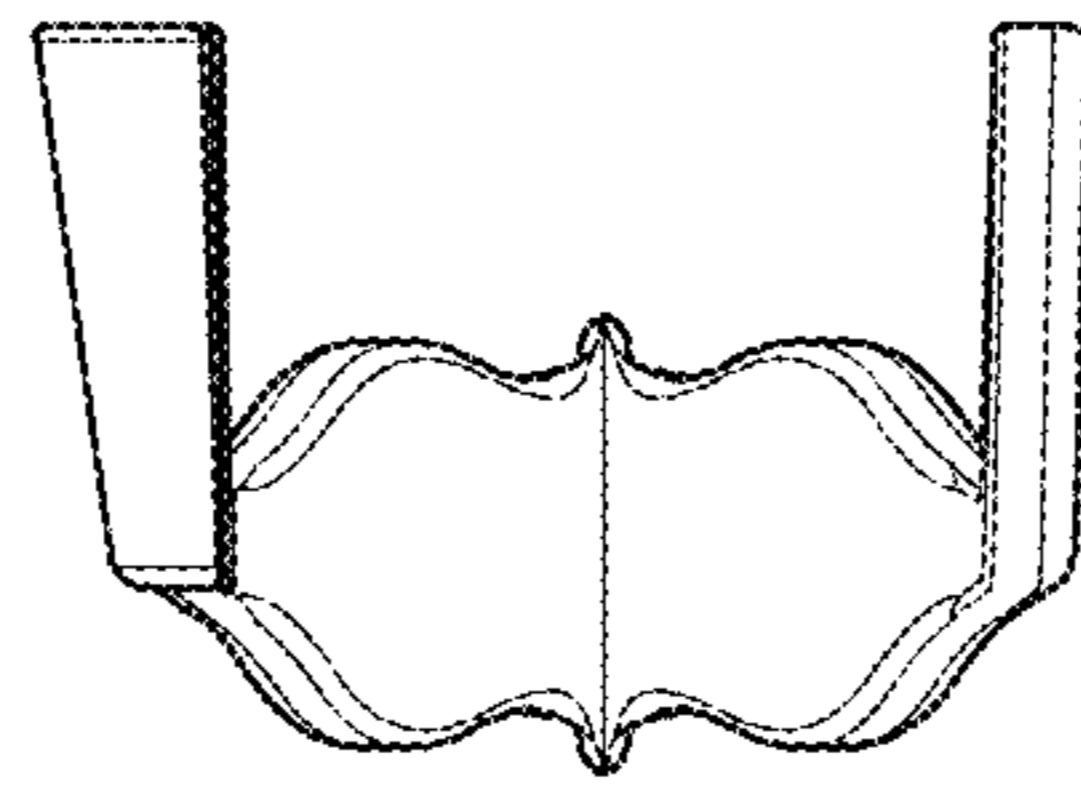


FIG. 10

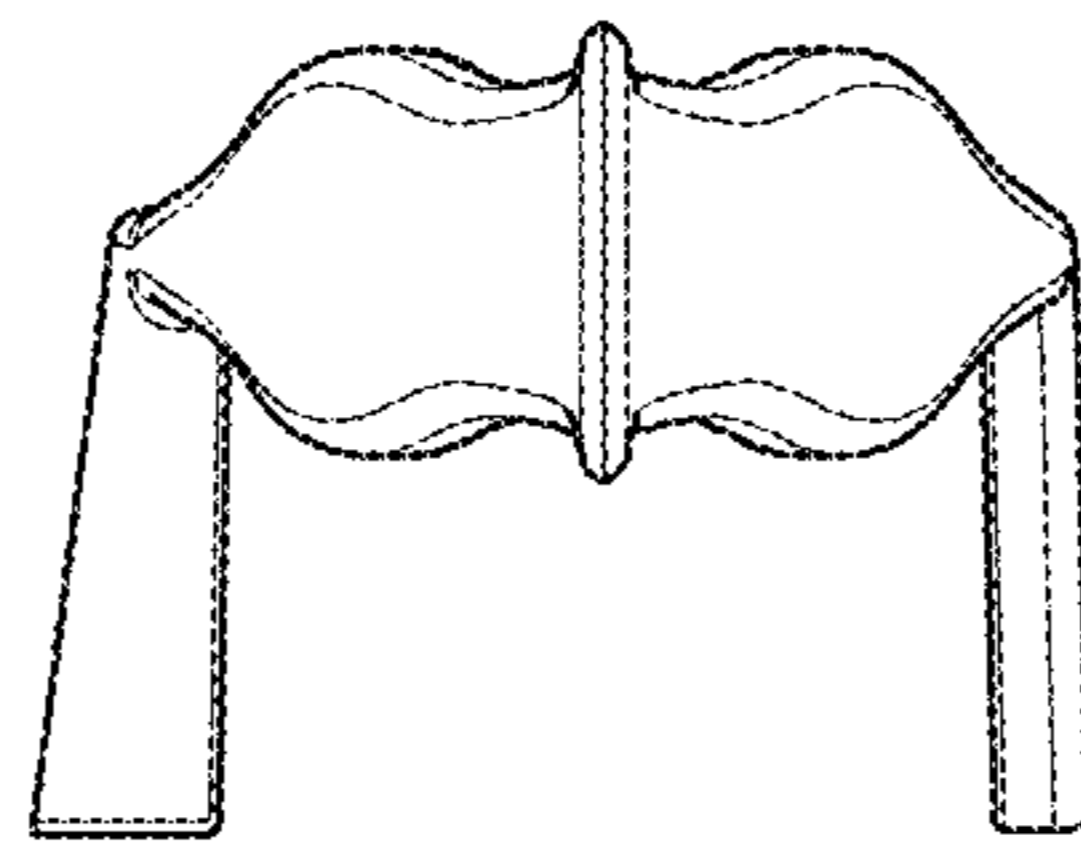


FIG. 9

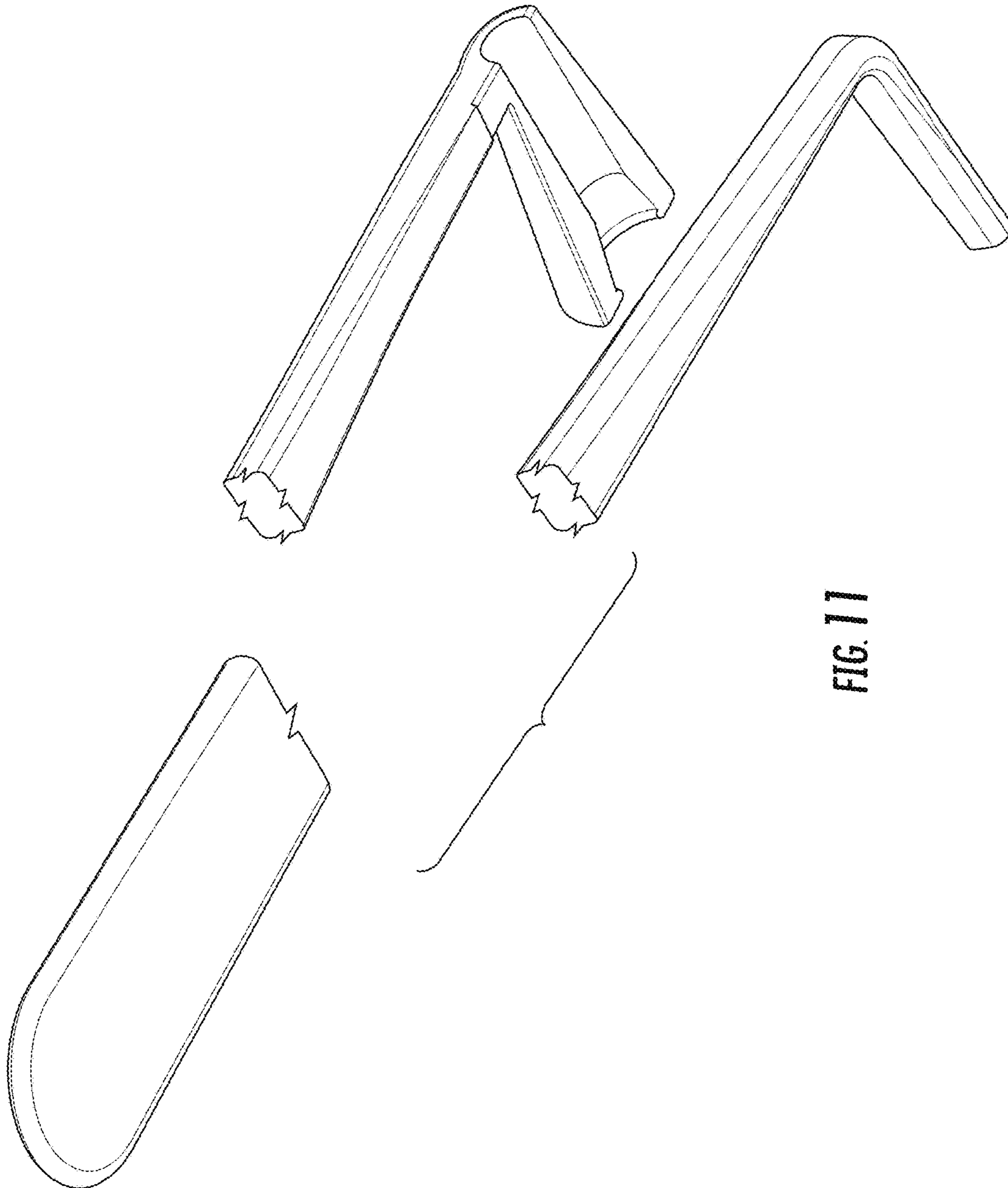


FIG. 11

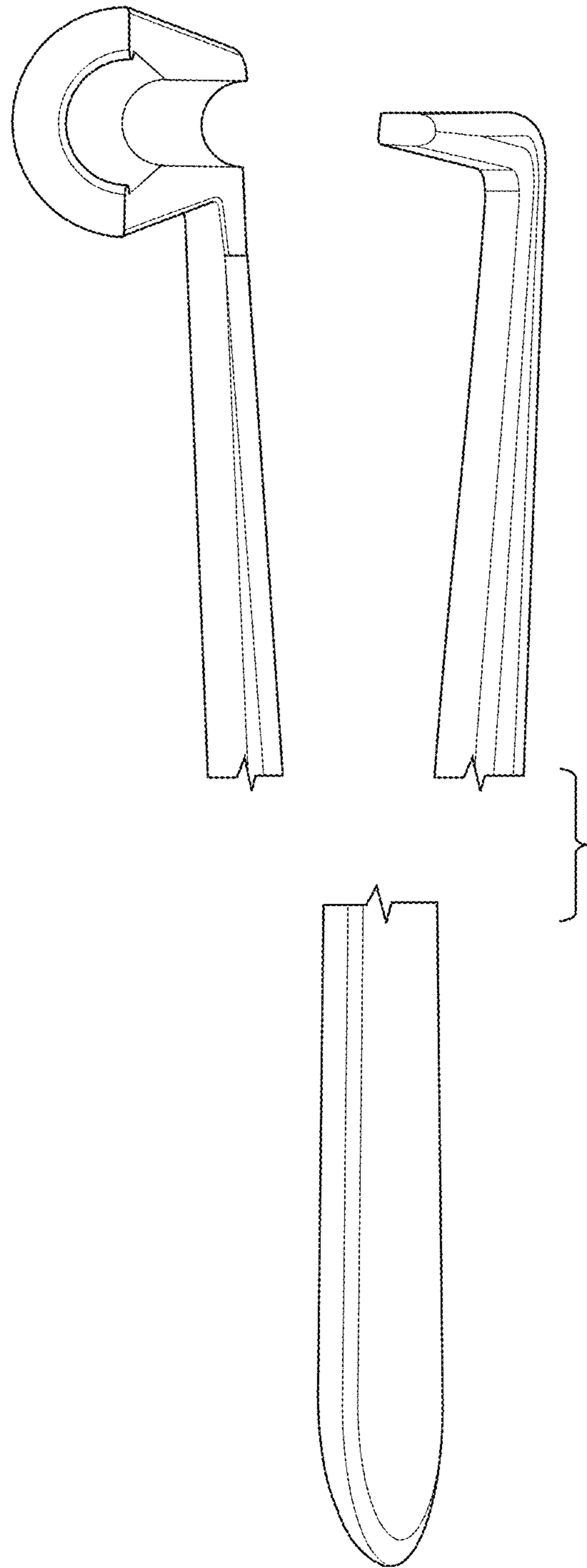


FIG. 12