



US00D795426S

(12) **United States Design Patent** (10) **Patent No.:** **US D795,426 S**  
**Shi** (45) **Date of Patent:** **\*\* Aug. 22, 2017**

(54) **LANCET**  
(71) Applicant: **STERILANCE MEDICAL (SUZHOU) INC.**, Suzhou (CN)  
(72) Inventor: **Guoping Shi**, Suzhou (CN)  
(73) Assignee: **Sterilance Medical (Suzhou) Inc.**, Suzhou, Jiangsu (CN)  
(\*\*) Term: **15 Years**  
(21) Appl. No.: **29/544,890**  
(22) Filed: **Nov. 6, 2015**  
(51) **LOC (10) Cl.** ..... **24-02**  
(52) **U.S. Cl.**  
USPC ..... **D24/146**  
(58) **Field of Classification Search**  
USPC ..... D24/133, 130, 113, 114; 600/385, 600, 600/573, 583, 167, 172, 181-185; 210/453  
CPC ..... A61B 17/32; A61B 2017/320004; A61B 17/320016  
See application file for complete search history.

D651,713 S \* 1/2012 Shi ..... D24/147  
D681,807 S \* 5/2013 Niedbala ..... D24/113  
D696,772 S \* 12/2013 Schneider ..... D24/113  
8,702,624 B2 \* 4/2014 Alden ..... A61B 5/150022 600/583  
D746,458 S \* 12/2015 Imori ..... D24/147  
D749,724 S 2/2016 Shi  
2008/0004651 A1 \* 1/2008 Nicholls ..... A61B 5/150022 606/182

**FOREIGN PATENT DOCUMENTS**

CN 303145200 3/2015  
EM 002530436 3/2014  
EM 002764902 2/2015

\* cited by examiner

*Primary Examiner* — Lakiya Rogers  
*Assistant Examiner* — Carissa C Fitts  
(74) *Attorney, Agent, or Firm* — Hamre, Schumann, Mueller & Larson, P.C.

(57) **CLAIM**

The ornamental design for a lancet, as shown.

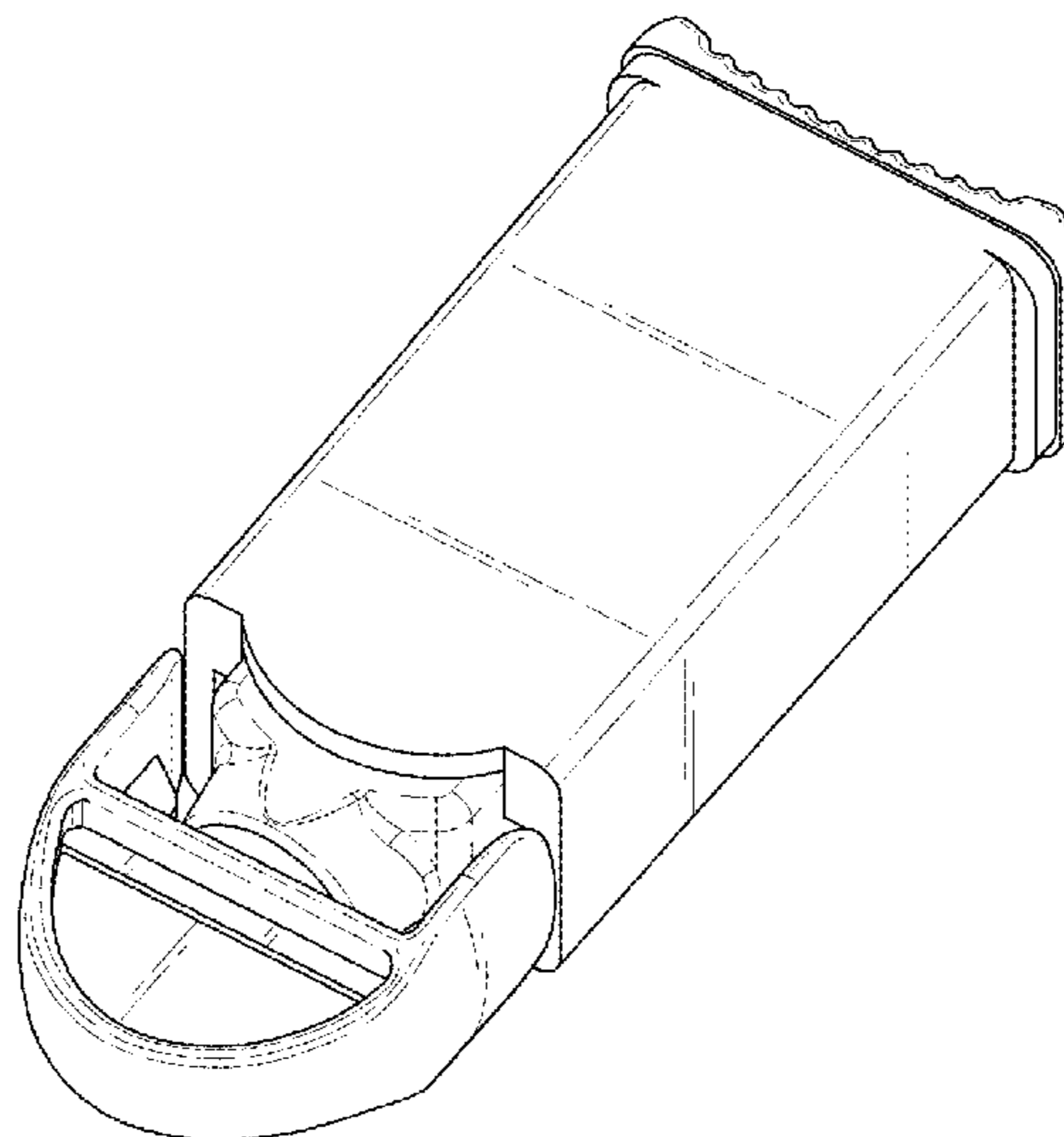
**DESCRIPTION**

FIG. 1 is a left perspective view of a lancet.  
FIG. 2 is a right perspective view of the lancet of FIG. 1.  
FIG. 3 is a front view of the lancet of FIG. 1.  
FIG. 4 is a top view of the lancet of FIG. 1.  
FIG. 5 is a left side view of the lancet of FIG. 1.  
FIG. 6 is a right side view of the lancet of FIG. 1.  
FIG. 7 is a right perspective view of a cap of the lancet of FIG. 1.  
FIG. 8 is a front perspective view of the cap of FIG. 7.  
FIG. 9 is a front view of the cap of FIG. 7.  
FIG. 10 is a top view of the cap of FIG. 7.  
FIG. 11 is a left side view of the cap of FIG. 7; and,  
FIG. 12 is a right side view of the cap of FIG. 7.

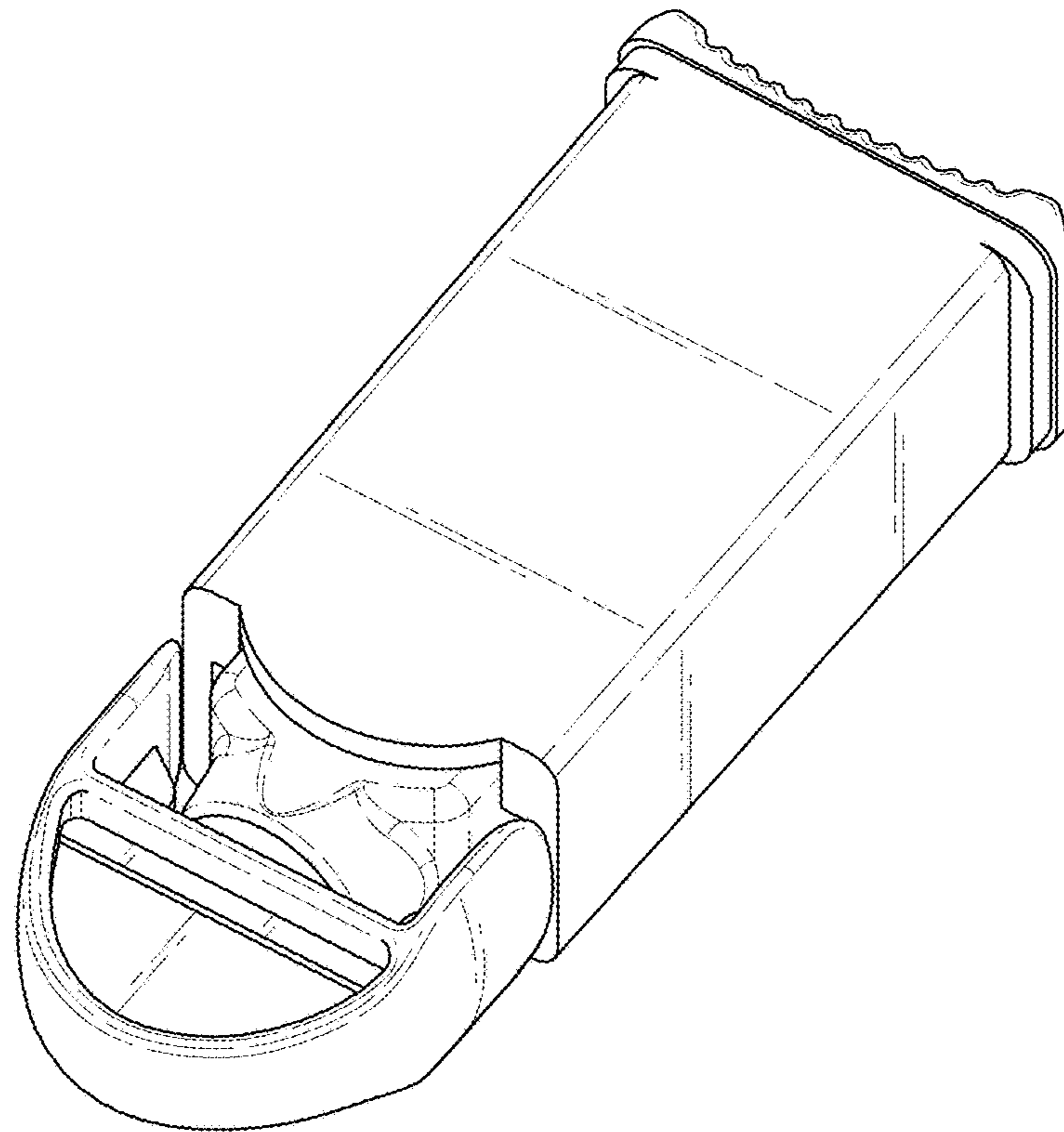
**1 Claim, 4 Drawing Sheets**

(56) **References Cited**  
**U.S. PATENT DOCUMENTS**

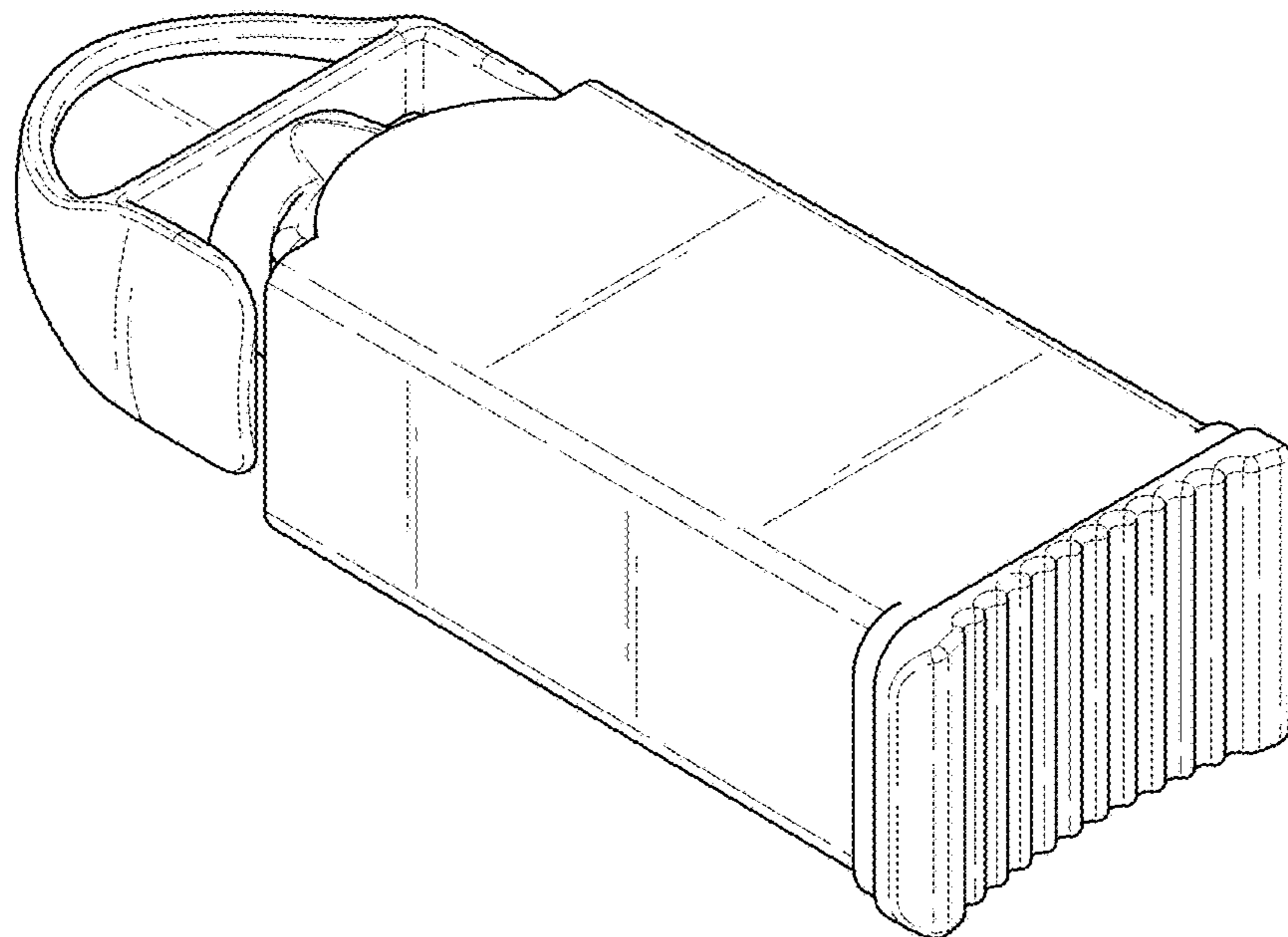
D376,649 S \* 12/1996 Kim ..... D24/146  
5,951,582 A \* 9/1999 Thorne ..... A61B 5/15142 606/167  
D442,105 S \* 5/2001 Lloyd ..... D10/113.1  
D446,578 S \* 8/2001 Jansen ..... D24/110  
D447,566 S \* 9/2001 Levaughn ..... D24/146  
D499,182 S \* 11/2004 Moore ..... D24/146  
D544,956 S \* 6/2007 Collins ..... D24/110  
D585,550 S \* 1/2009 Katsura ..... D24/147  
D621,045 S \* 8/2010 Trissel ..... D24/147  
D629,510 S \* 12/2010 Grunhut ..... D24/127  
D635,669 S \* 4/2011 Katsura ..... D24/147  
D645,147 S \* 9/2011 Ruf ..... D24/147  
D645,148 S \* 9/2011 Ruf ..... D24/147



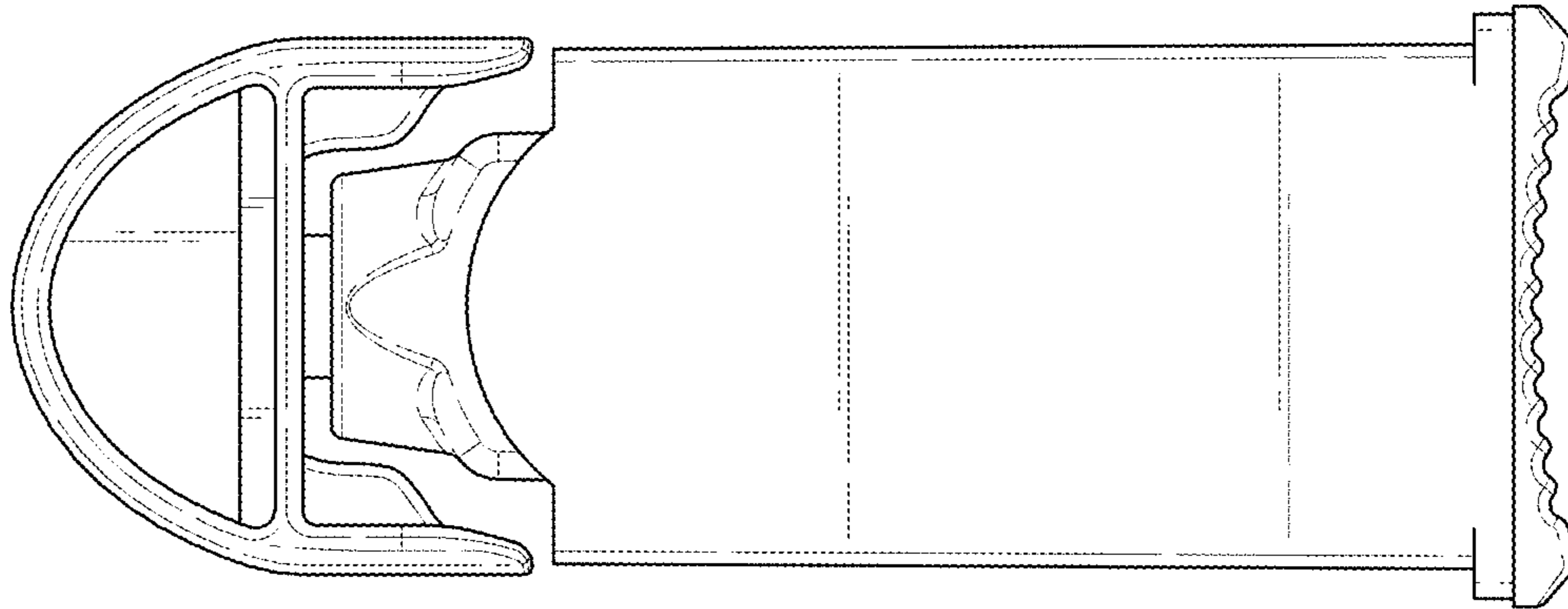
*Fig. 1*



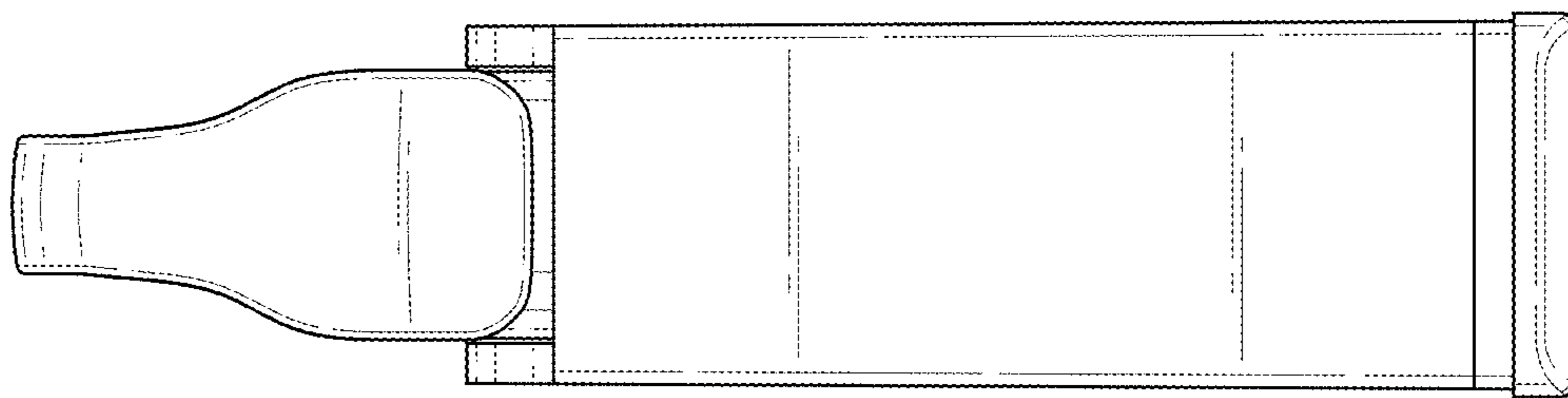
*Fig. 2*



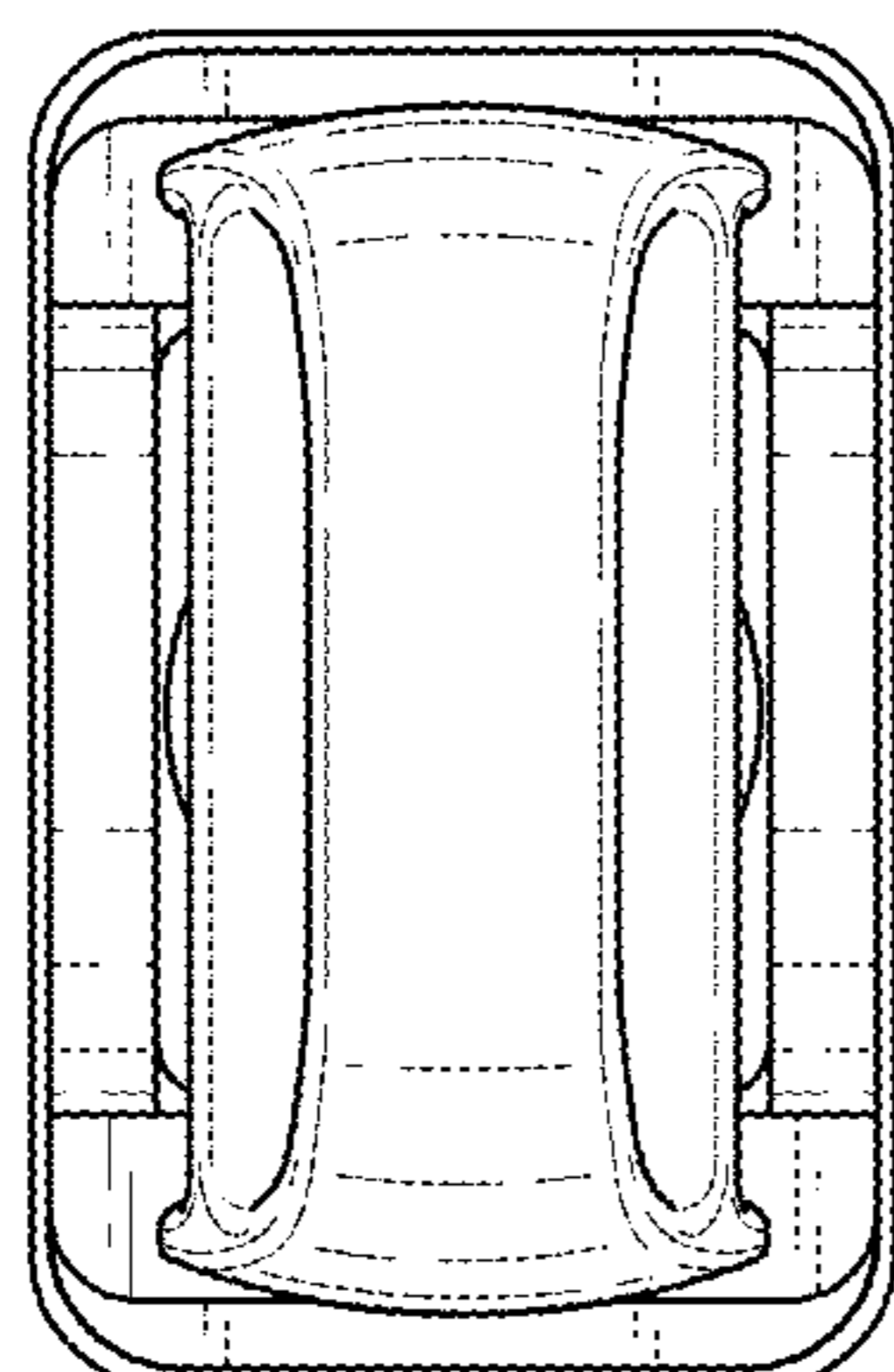
*Fig. 3*



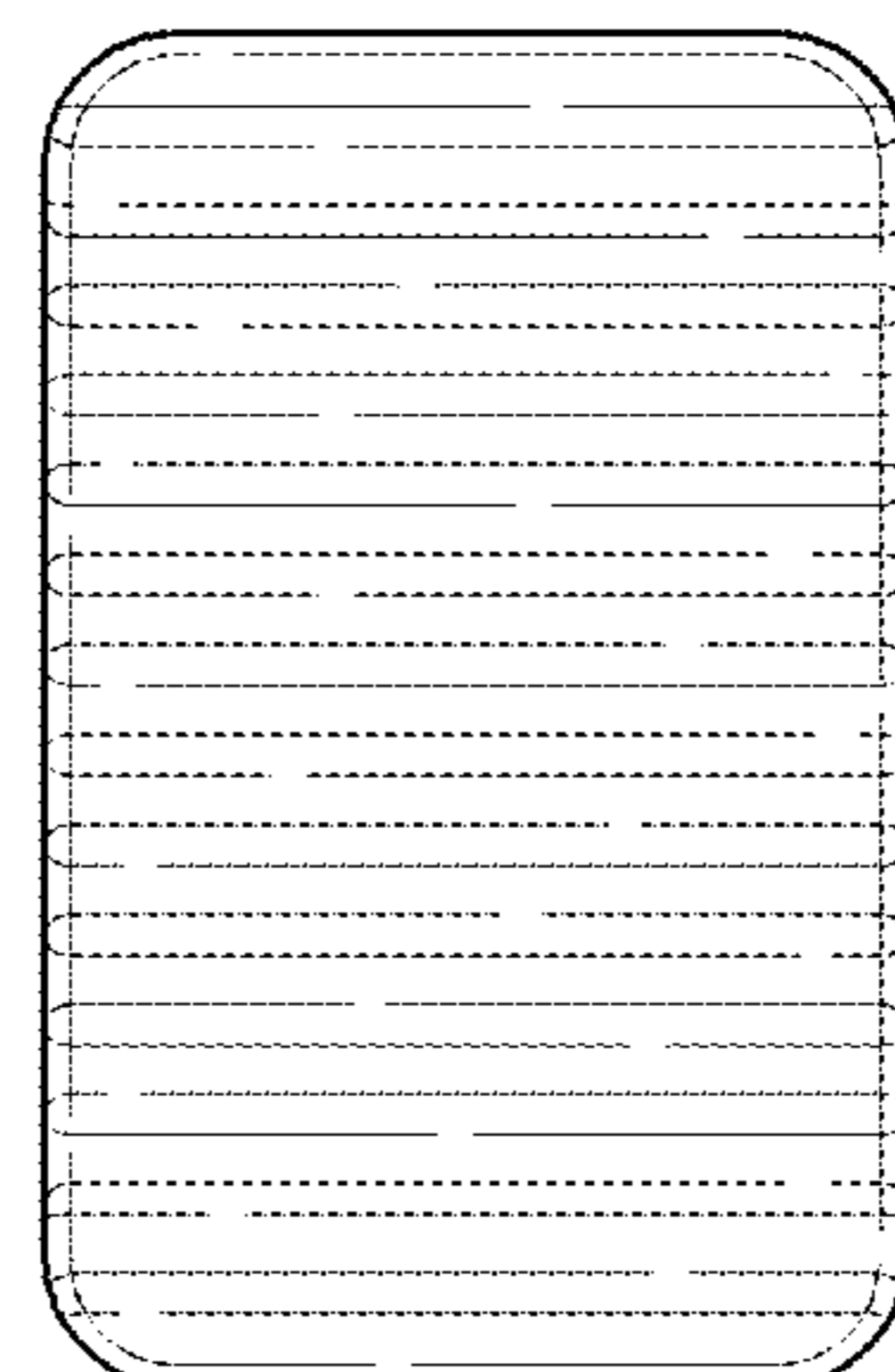
*Fig. 4*



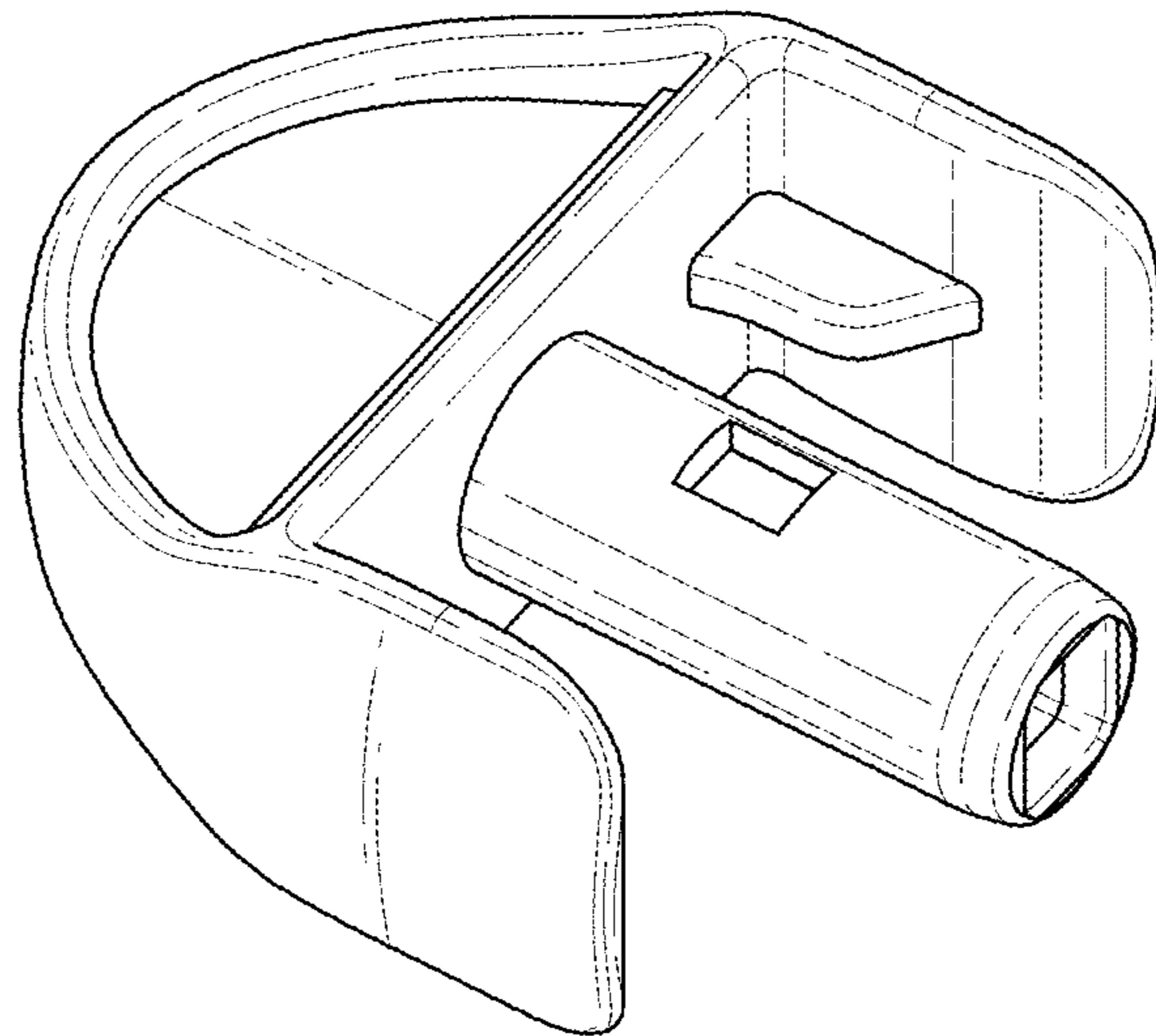
*Fig. 5*



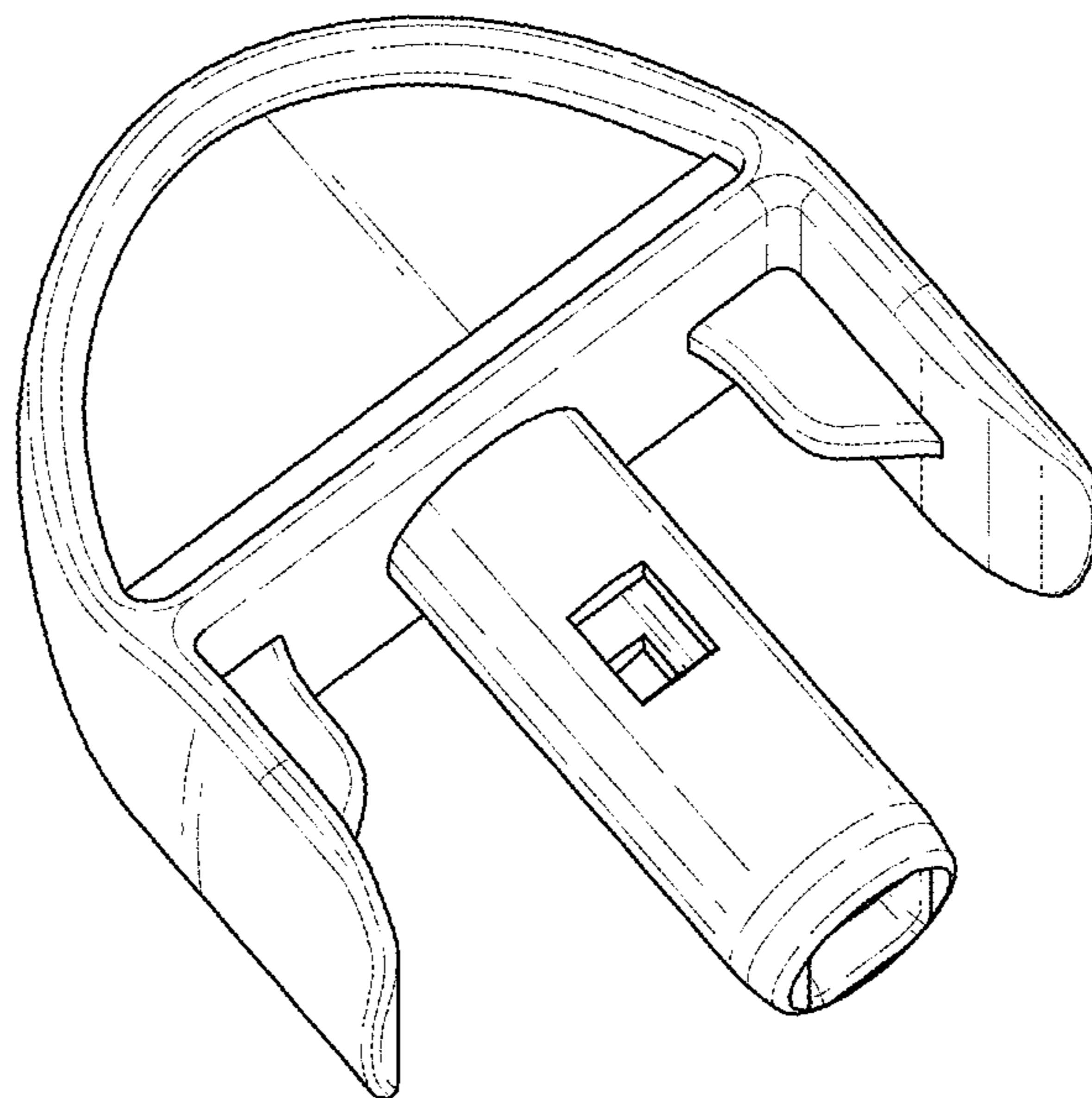
*Fig. 6*



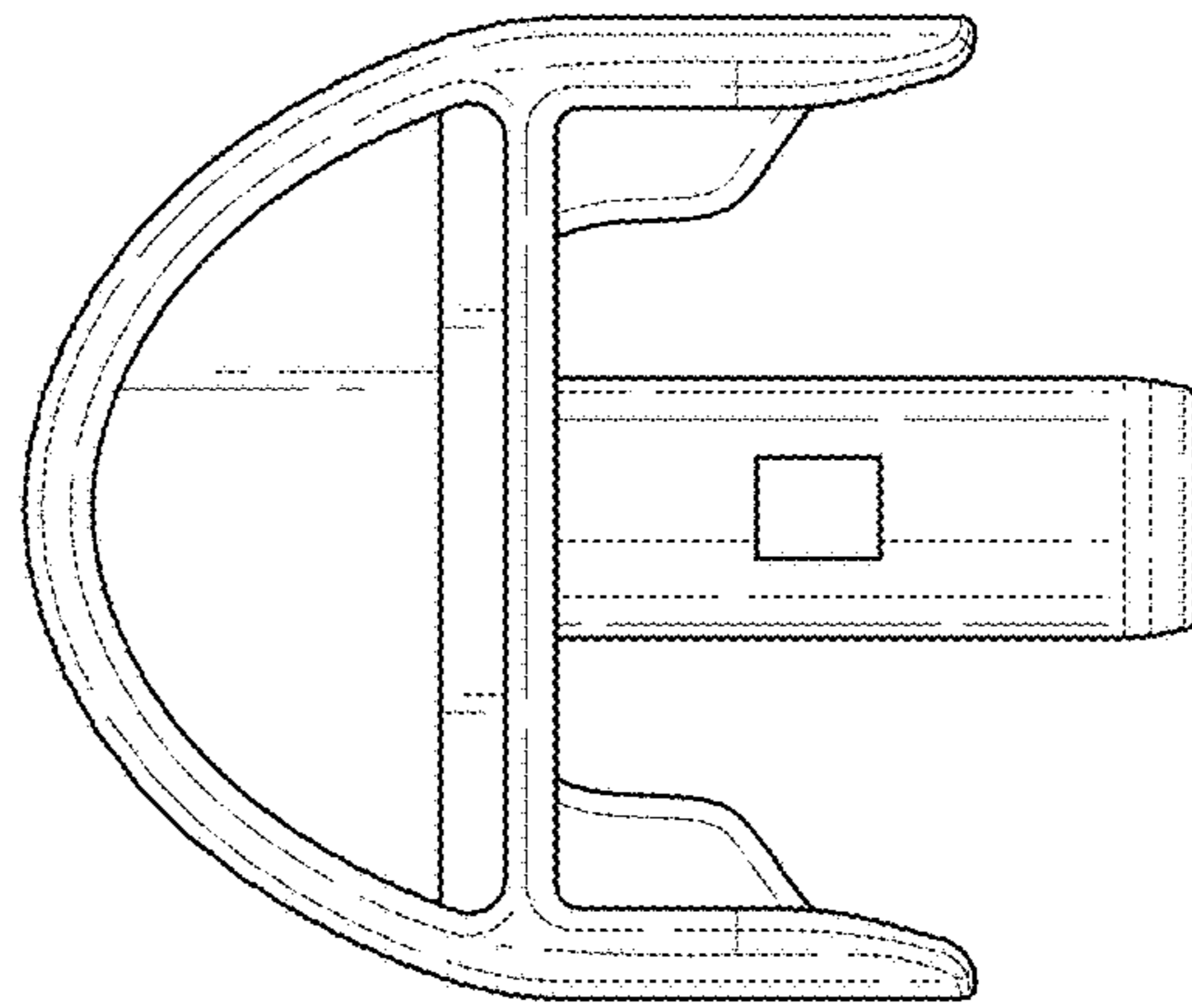
*Fig. 7*



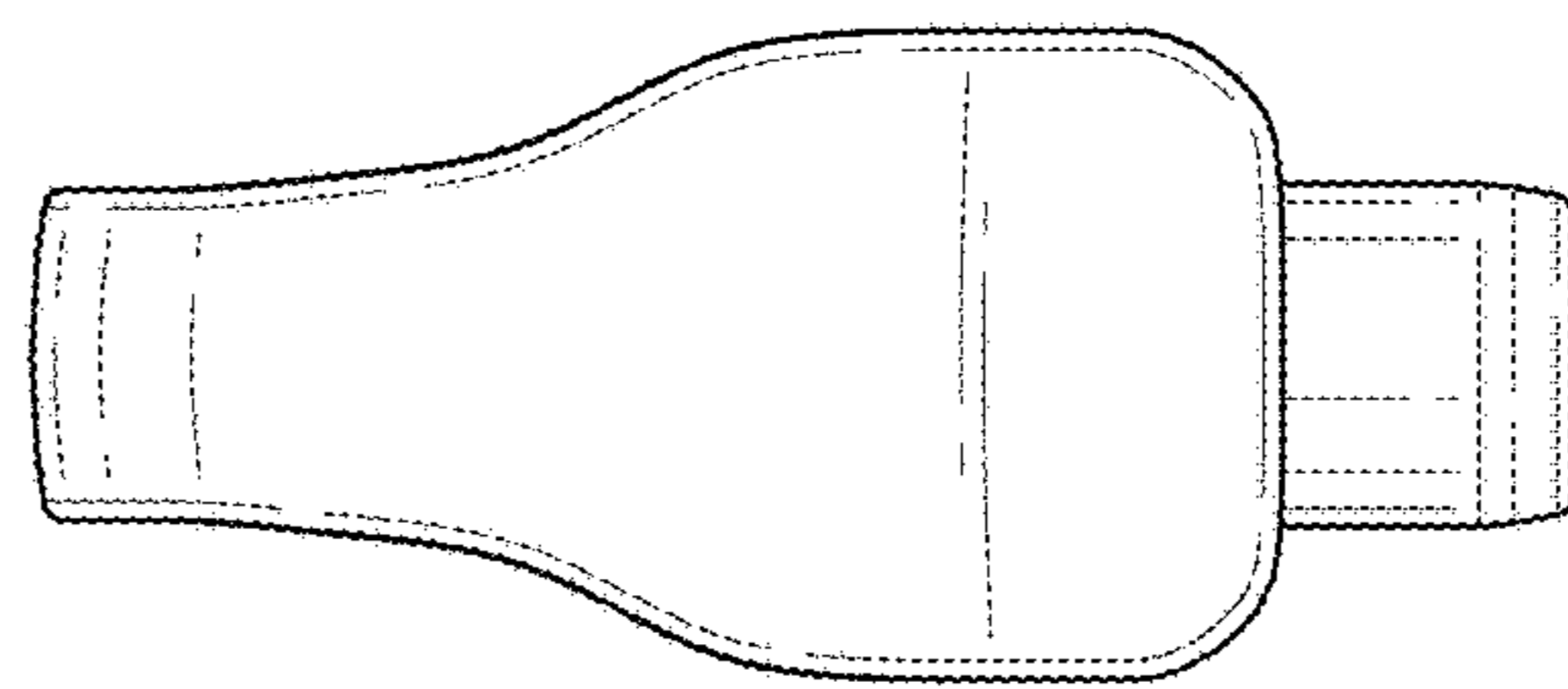
*Fig. 8*



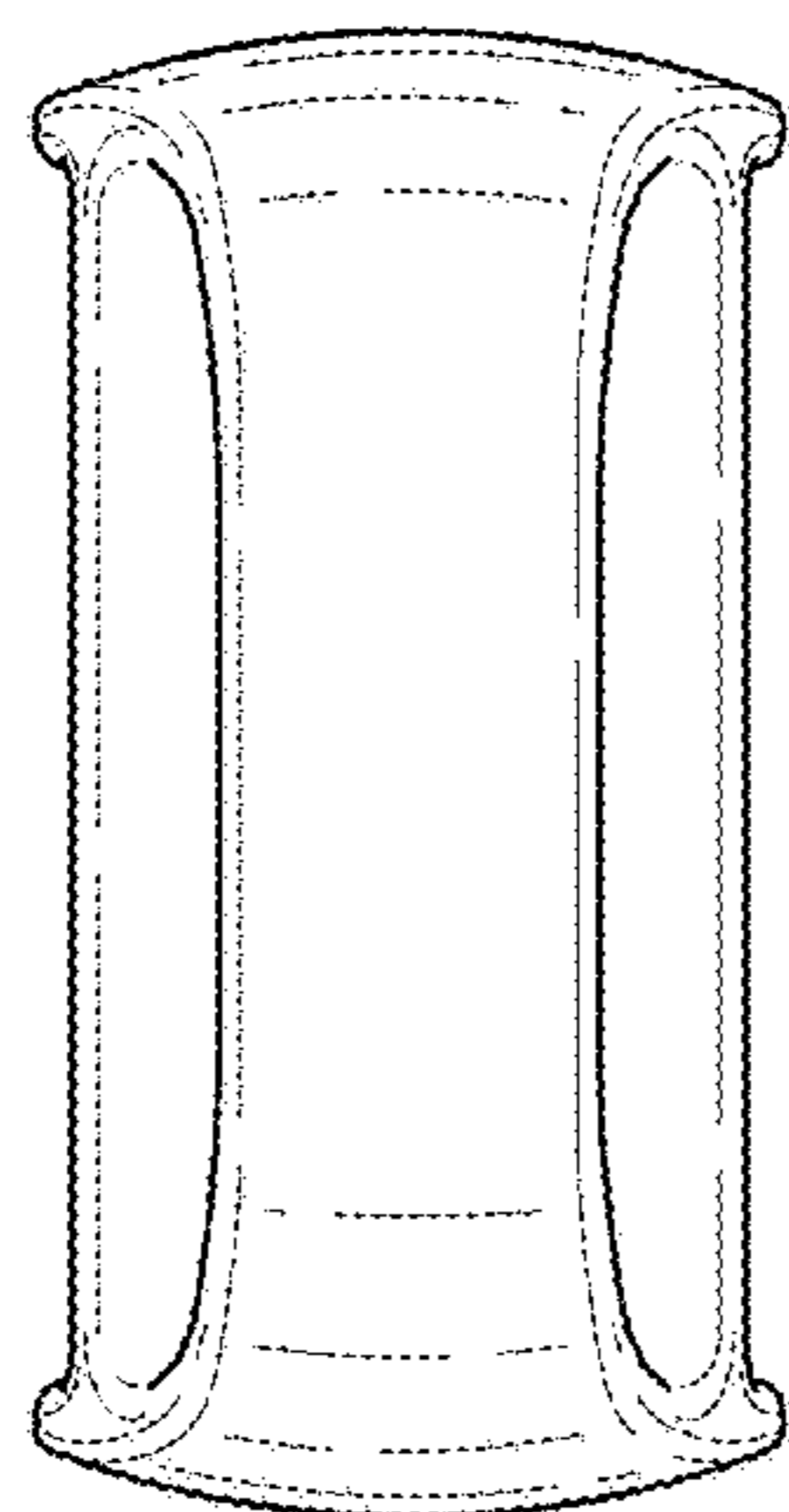
*Fig. 9*



*Fig. 10*



*Fig. 11*



*Fig. 12*

