



US00D795425S

(12) **United States Design Patent** (10) **Patent No.:** **US D795,425 S**  
**Cummins** (45) **Date of Patent:** **\*\* Aug. 22, 2017**

(54) **RATCHET PAWL FOR THUMBWHEEL ACTUATED STENT DELIVERY SYSTEM**

(71) Applicant: **Cook Medical Technologies LLC**,  
Bloomington, IN (US)

(72) Inventor: **Sean Cummins**, Limerick (IE)

(73) Assignee: **Cook Medical Technologies LLC**,  
Bloomington, IN (US)

(\*\*) Term: **15 Years**

(21) Appl. No.: **29/535,976**

(22) Filed: **Aug. 12, 2015**

(51) **LOC (10) Cl.** ..... **24-02**

(52) **U.S. Cl.**  
USPC ..... **D24/140**

(58) **Field of Classification Search**  
USPC ..... D24/140, 137, 138, 112, 130, 114, 133;  
D8/19, 16; D12/122, 124  
CPC ..... A61F 2/95  
See application file for complete search history.

(56) **References Cited**

U.S. PATENT DOCUMENTS

6,190,360	B1	2/2001	Iancea et al.	
6,238,402	B1	5/2001	Sullivan, III et al.	
D624,646	S *	9/2010	Peschke	D24/133
D630,322	S *	1/2011	Speiser	D24/133
D633,613	S *	3/2011	Risoli	D24/133
7,967,829	B2	6/2011	Gunderson et al.	
7,976,574	B2	7/2011	Papp	
D663,835	S *	7/2012	Besse	D24/133
D666,291	S *	8/2012	Baehr	D24/133
8,500,789	B2	8/2013	Wuebbeling et al.	
D717,949	S *	11/2014	Peschke	D24/133
D733,874	S *	7/2015	Yu	D24/130
2005/0149159	A1	7/2005	Andreas et al.	
2005/0273151	A1	12/2005	Fulkerson et al.	
2006/0259124	A1	11/2006	Matsuoka et al.	

2007/0032860	A1	2/2007	Brooks et al.
2007/0055342	A1	3/2007	Wu et al.
2007/0088421	A1	4/2007	Loewen
2007/0156225	A1	7/2007	George et al.
2007/0168014	A1	7/2007	Jimenez et al.
2008/0091257	A1	4/2008	Andreas et al.
2009/0210046	A1	8/2009	Shumer et al.
2010/0004606	A1	1/2010	Hansen et al.

(Continued)

FOREIGN PATENT DOCUMENTS

EP	2431009	3/2012
WO	2008034793	3/2008

*Primary Examiner* — Robert M Spear

*Assistant Examiner* — Eliza Bennett-Hattan

(74) *Attorney, Agent, or Firm* — Liell & McNeil

(57) **CLAIM**

I claim the ornamental design for the ratchet pawl for a thumbwheel actuated stent delivery system, as shown and described.

**DESCRIPTION**

FIG. 1 is a front view of a ratchet pawl for a thumbwheel actuated stent delivery system according to the present design;

FIG. 2 is a right side view of the ratchet pawl of FIG. 1; FIG. 3 is a rear perspective view of the ratchet pawl of FIG. 1;

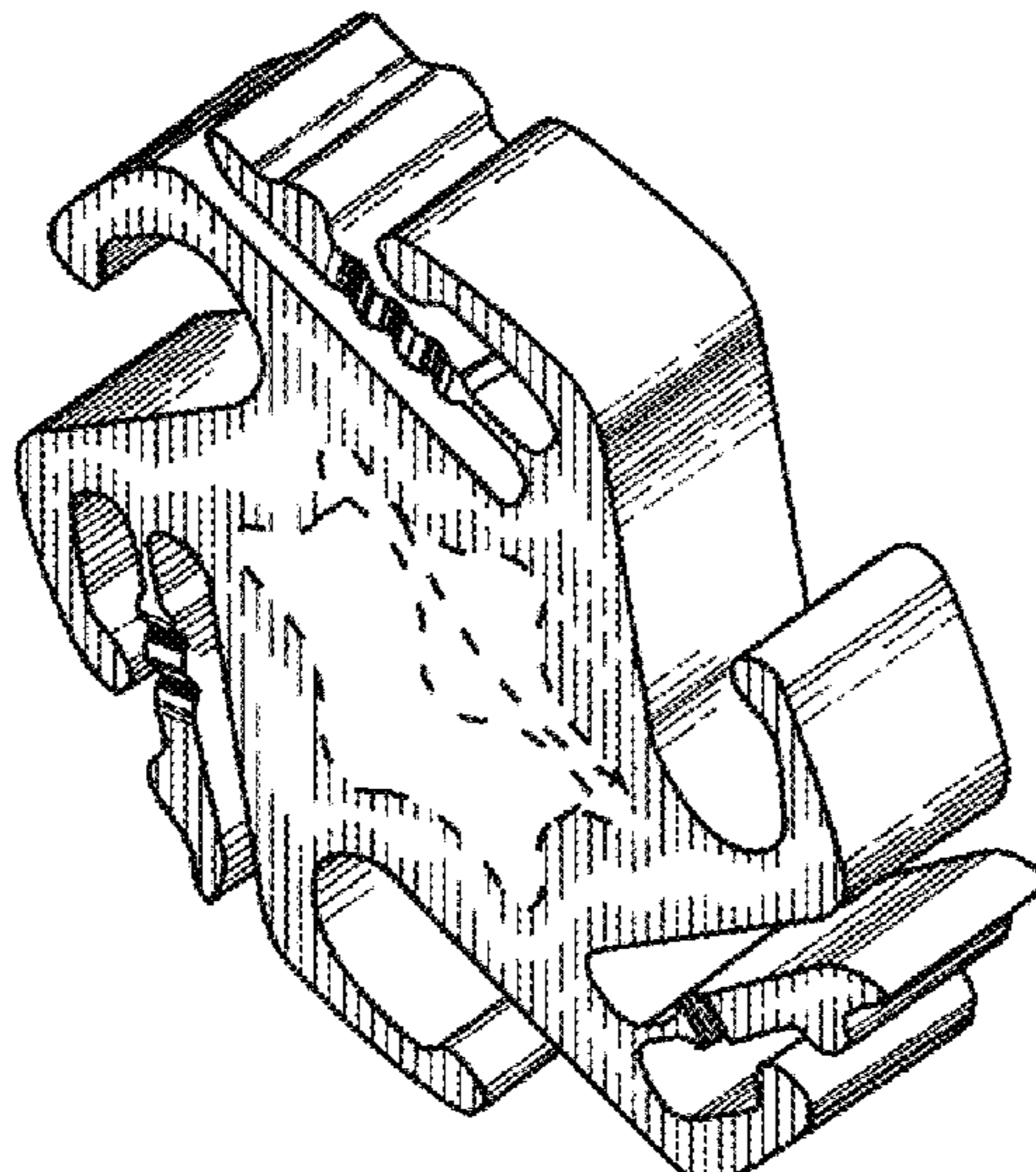
FIG. 4 is a front perspective view of the ratchet pawl of FIG. 1; and,

FIG. 5 is a rear view of the ratchet pawl for a thumbwheel actuated stent delivery system of FIG. 1 as seen in the environment of a thumbwheel stent delivery system.

The claim is understood to comprise only the shaded surfaces of the ratchet pawl.

The features shown with dashed lines are for environmental purposes only and form no part of the claimed design.

**1 Claim, 1 Drawing Sheet**



(56)

**References Cited**

U.S. PATENT DOCUMENTS

2011/0230948	A1 *	9/2011	Ehrenreich .....	A61F 2/958 623/1.11
2012/0041537	A1	2/2012	Parker et al.	
2012/0059448	A1	3/2012	Parker et al.	
2012/0101562	A1	4/2012	Gunderson et al.	
2012/0123516	A1	5/2012	Gerds et al.	
2012/0158120	A1	6/2012	Hacker et al.	
2012/0330401	A1	12/2012	Sugimoto et al.	
2013/0013047	A1	1/2013	Ramos et al.	
2013/0018451	A1	1/2013	Grabowski et al.	
2013/0110223	A1	5/2013	Munsinger et al.	
2014/0025155	A1 *	1/2014	Masubuchi .....	A61F 2/962 623/1.12
2014/0188209	A1	7/2014	Loewen	
2016/0074195	A1 *	3/2016	Cummins .....	A61F 2/95 623/1.11
2016/0135975	A1 *	5/2016	Shimoyama .....	A61F 2/844 623/1.12

\* cited by examiner

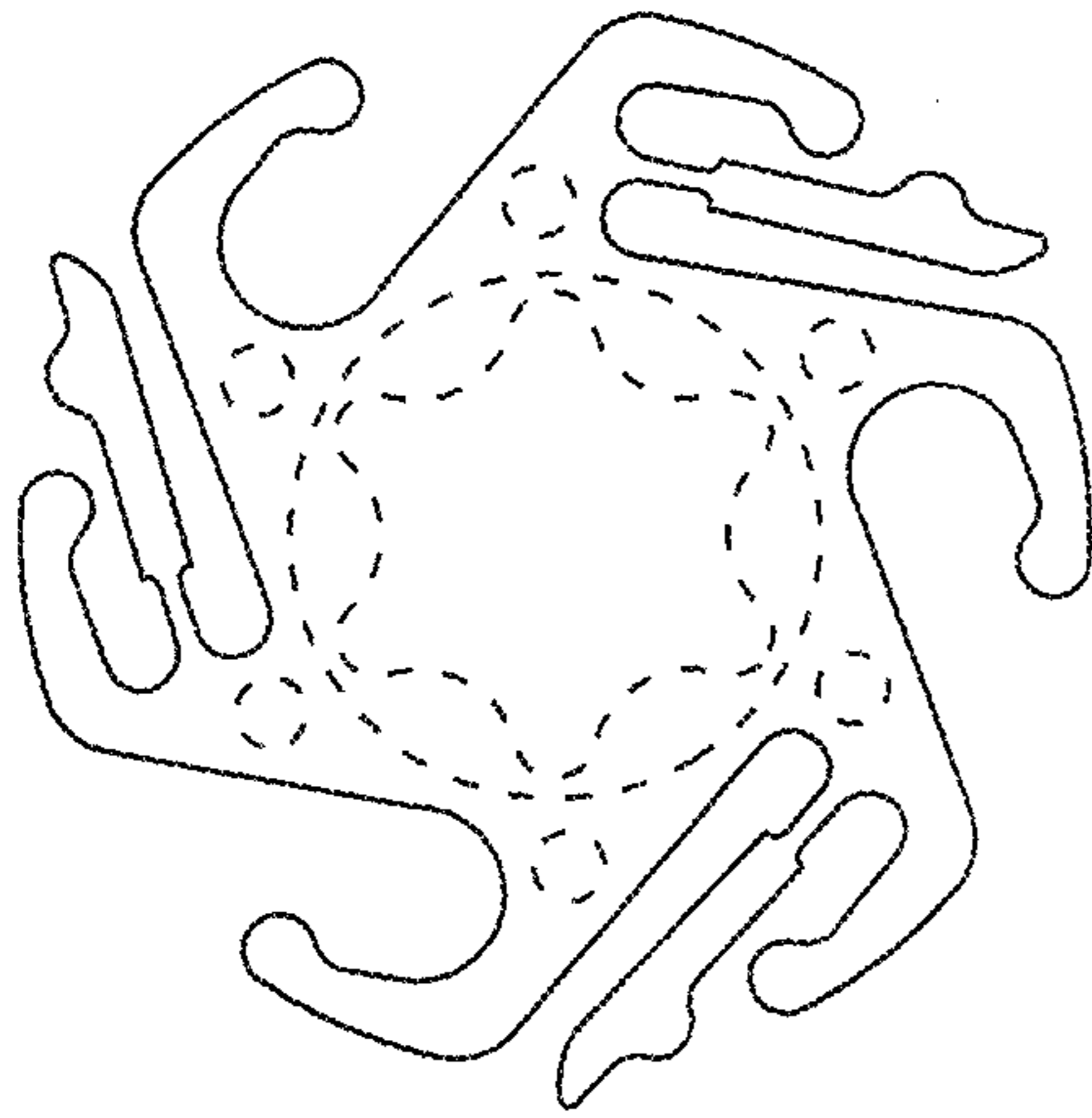


Fig.1

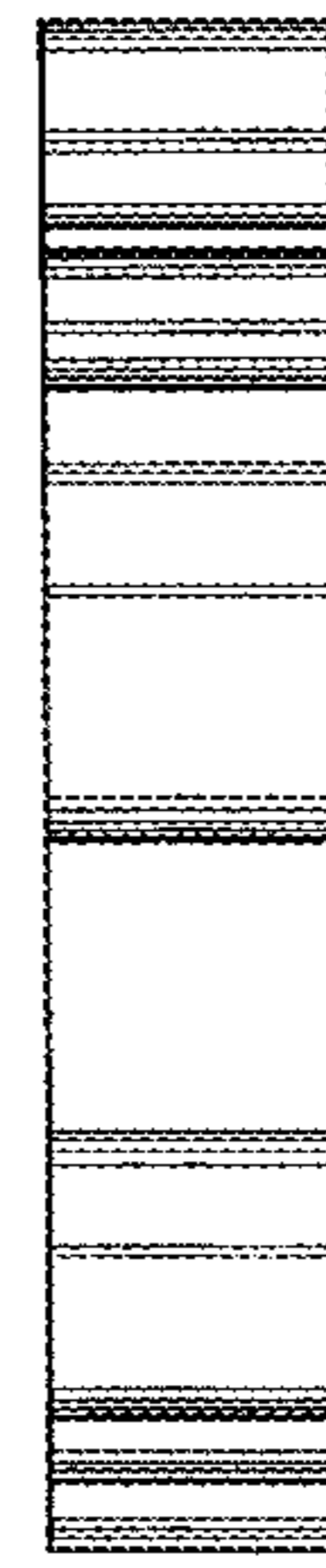


Fig.2

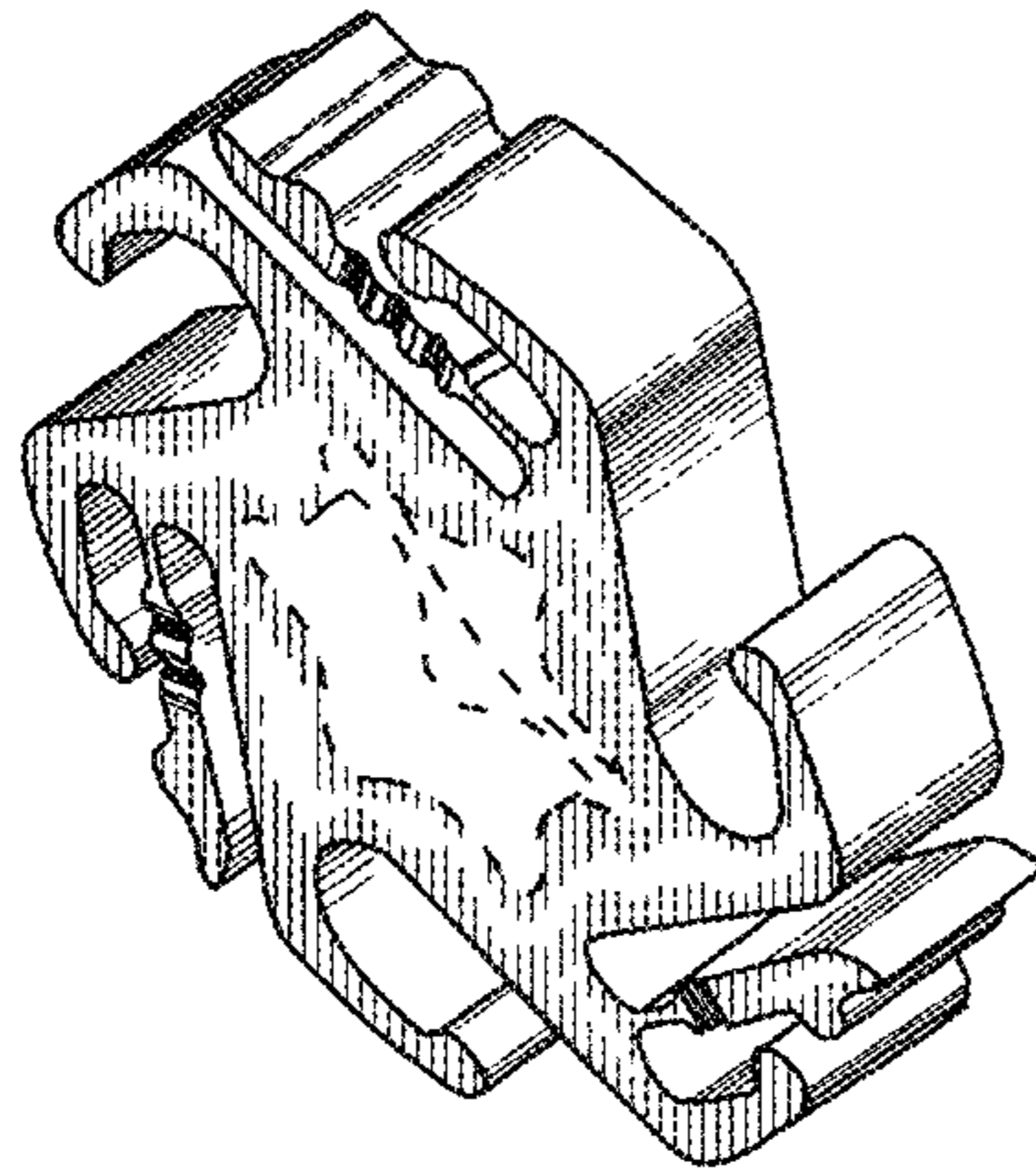


Fig.3

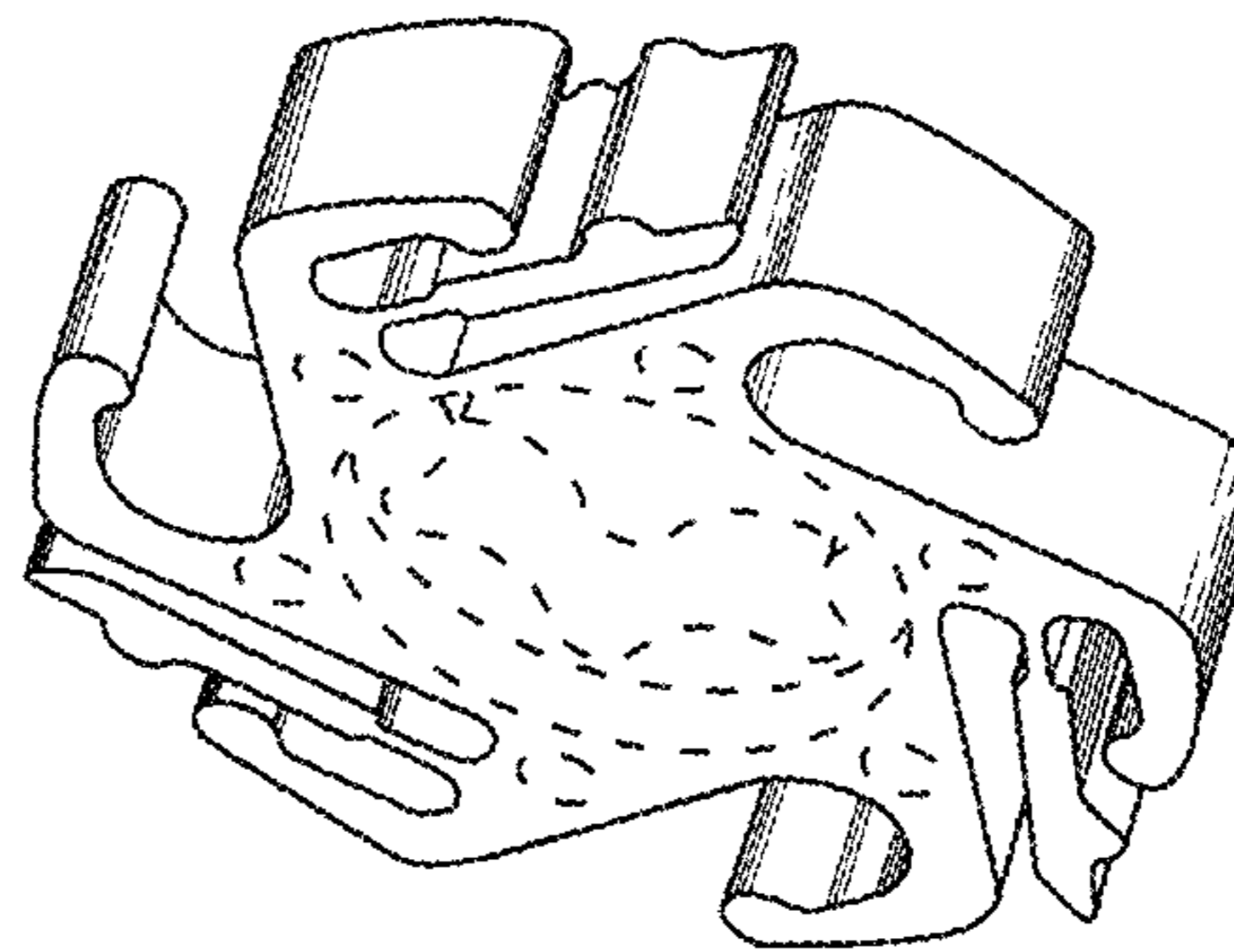


Fig.4

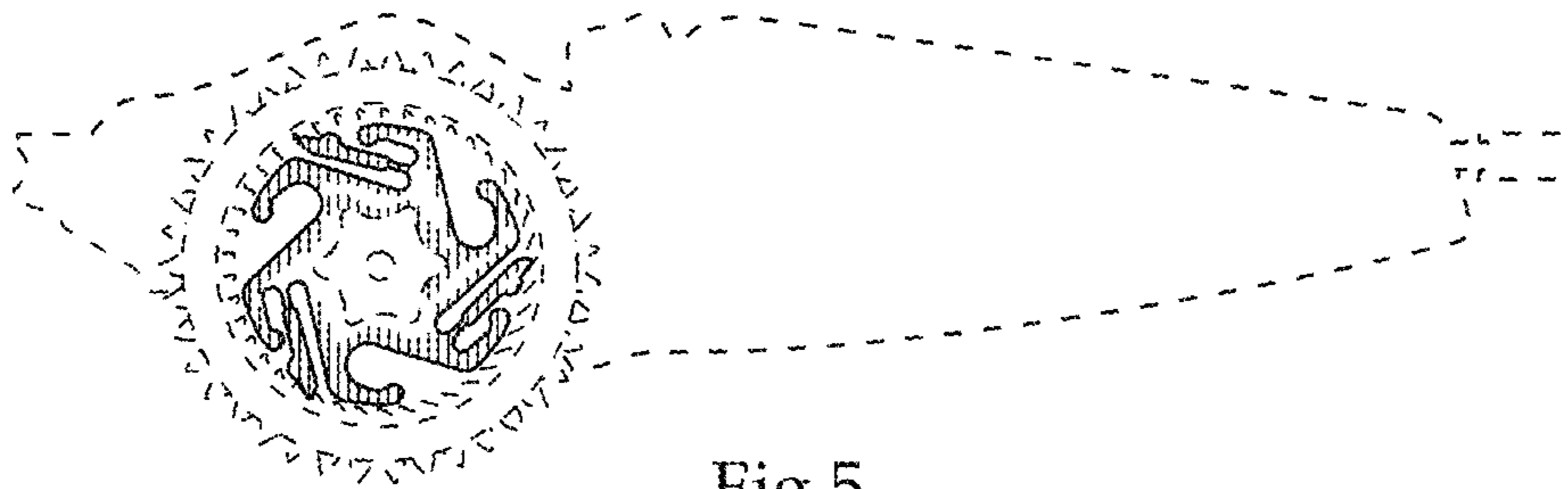


Fig.5