



US00D795424S

(12) **United States Design Patent** (10) **Patent No.:** **US D795,424 S**  
**Sloss** (45) **Date of Patent:** **\*\* Aug. 22, 2017**

(54) **ENDOSCOPE**  
(71) Applicant: **DEKA Products Limited Partnership**,  
Manchester, NH (US)  
(72) Inventor: **James L. Sloss**, Cambridge, MA (US)  
(73) Assignee: **DEKA Products Limited Partnership**,  
Manchester, NH (US)  
(\*\*) Term: **15 Years**

D607,032 S 12/2009 Halleck et al.  
D612,044 S \* 3/2010 Scheibe ..... D24/130  
7,670,282 B2 3/2010 Mathis  
7,758,497 B2 7/2010 Hem  
D643,534 S 8/2011 Halleck et al.  
D673,987 S 1/2013 Mirrer  
D698,441 S 1/2014 Meguro et al.  
D709,192 S 7/2014 Czupalla et al.  
D716,942 S 11/2014 Eisenkolb et al.  
D733,874 S \* 7/2015 Yu ..... D24/130  
D745,670 S \* 12/2015 Czupalla ..... D24/138  
D747,477 S \* 1/2016 Freigang ..... D24/133  
D753,296 S 4/2016 Gill et al.

(Continued)

(21) Appl. No.: **29/538,153**

(22) Filed: **Sep. 1, 2015**

(51) **LOC (10) Cl.** ..... **24-02**

(52) **U.S. Cl.**  
USPC ..... **D24/138**

(58) **Field of Classification Search**  
USPC ..... D24/108, 111, 112, 113, 117, 118, 127,  
D24/130, 133, 135, 137, 138, 141, 143,  
D24/144, 148, 152, 153, 154, 170, 176,  
D24/179, 216, 222  
CPC ..... A61B 1/00; A61B 1/00137; A61B 1/005;  
A61B 1/0014; A61B 1/0676; A61B  
1/0669; A61B 1/00121; A61B 1/00133;  
A61B 1/00071; A61B 1/00064; A61B  
1/00068; A61B 1/00112; A61B 1/0125;  
A61B 17/3478

See application file for complete search history.

(56) **References Cited**

**U.S. PATENT DOCUMENTS**

D376,204 S \* 12/1996 Huculak ..... D24/133  
D474,276 S 5/2003 Greise et al.  
D501,864 S 2/2005 Greise et al.  
D515,214 S \* 2/2006 Jackson, III ..... D24/176  
D515,215 S \* 2/2006 Wang ..... D24/176  
D523,455 S 6/2006 Greise et al.  
D530,818 S 10/2006 Lin  
D587,804 S 3/2009 Ruiz et al.  
D598,543 S \* 8/2009 Vogel ..... D24/133

**OTHER PUBLICATIONS**

U.S. Appl. No. 14/170,080, filed Jan. 31, 2014.  
U.S. Appl. No. 29/559,980, filed Apr. 1, 2016.

*Primary Examiner* — Robert M Spear  
*Assistant Examiner* — Eliza Bennett-Hattan  
(74) *Attorney, Agent, or Firm* — Marc J. Gorayeb

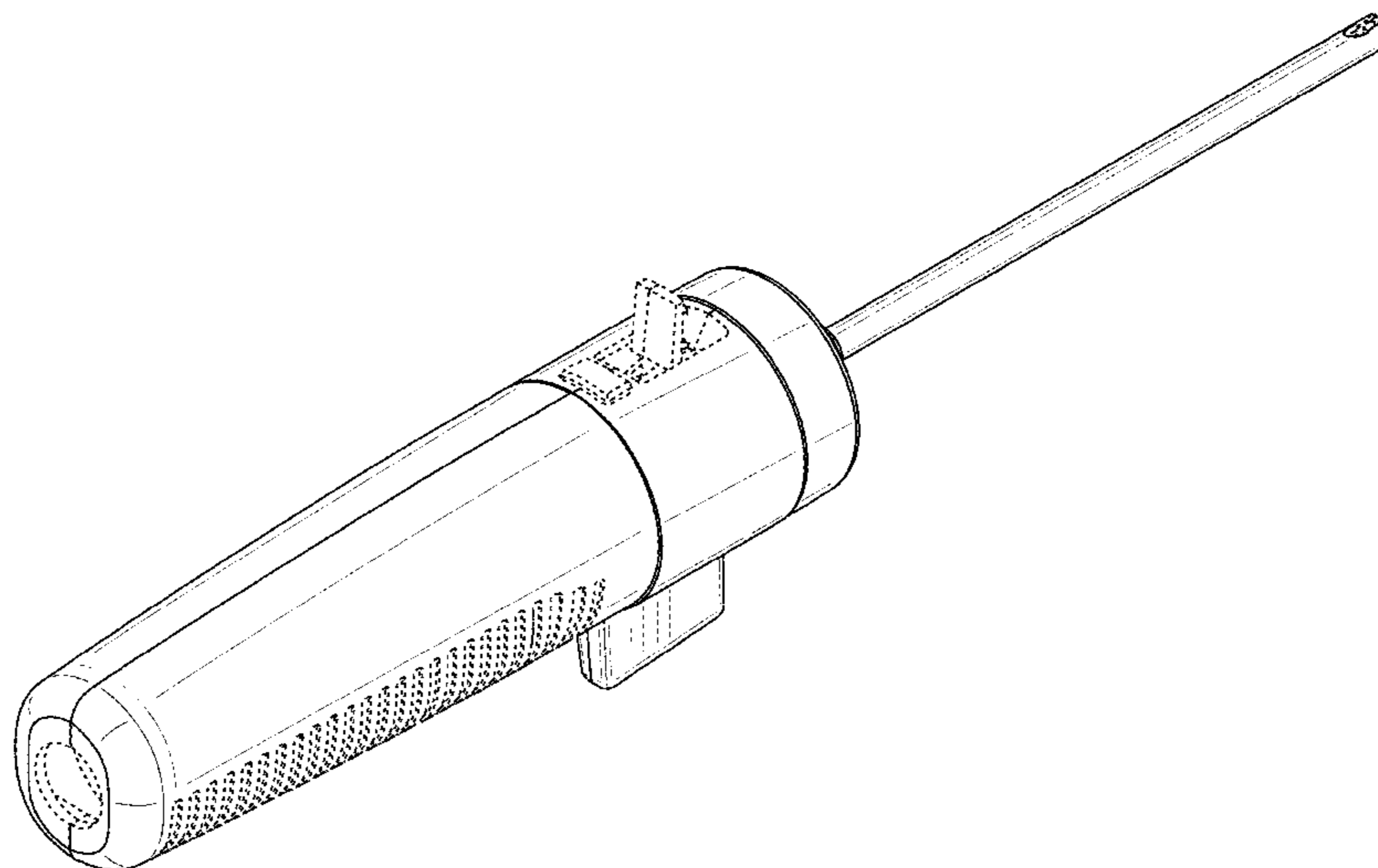
(57) **CLAIM**

The ornamental design for an endoscope, as shown and described.

**DESCRIPTION**

FIG. 1 is a back, top, and left side perspective view of the endoscope;  
FIG. 2 is a top view thereof;  
FIG. 3 is a bottom view thereof;  
FIG. 4 is a left side view thereof;  
FIG. 5 is a right side view thereof;  
FIG. 6 is a front view thereof; and,  
FIG. 7 is a back view thereof.  
The ornamental design which is claimed is shown in solid lines in the drawings. Any broken lines in the drawings depict environmental subject matter only and form no part of the claimed design.

**1 Claim, 6 Drawing Sheets**



(56)

**References Cited**

U.S. PATENT DOCUMENTS

D772,411 S \* 11/2016 Heath ..... D24/146  
2005/0043682 A1 2/2005 Kucklick et al.  
2005/0288549 A1 12/2005 Mathis  
2006/0015075 A1\* 1/2006 Blanco ..... A61B 17/3474  
604/264  
2007/0251975 A1 11/2007 Sonnenschein et al.  
2007/0270766 A1 11/2007 Kucklick  
2007/0270788 A1 11/2007 Nahen et al.  
2008/0300456 A1 12/2008 Irion et al.  
2012/0041265 A1 2/2012 Kucklick et al.  
2012/0157972 A1 6/2012 Kucklick  
2012/0253329 A1\* 10/2012 Zemlok ..... A61B 17/072  
606/1  
2012/0289784 A1 11/2012 Kucklick  
2013/0267784 A1 10/2013 Andreassen et al.  
2014/0148704 A1\* 5/2014 Ito ..... A61B 1/127  
600/462  
2014/0357952 A1\* 12/2014 Krohn ..... A61B 1/00183  
600/112

\* cited by examiner

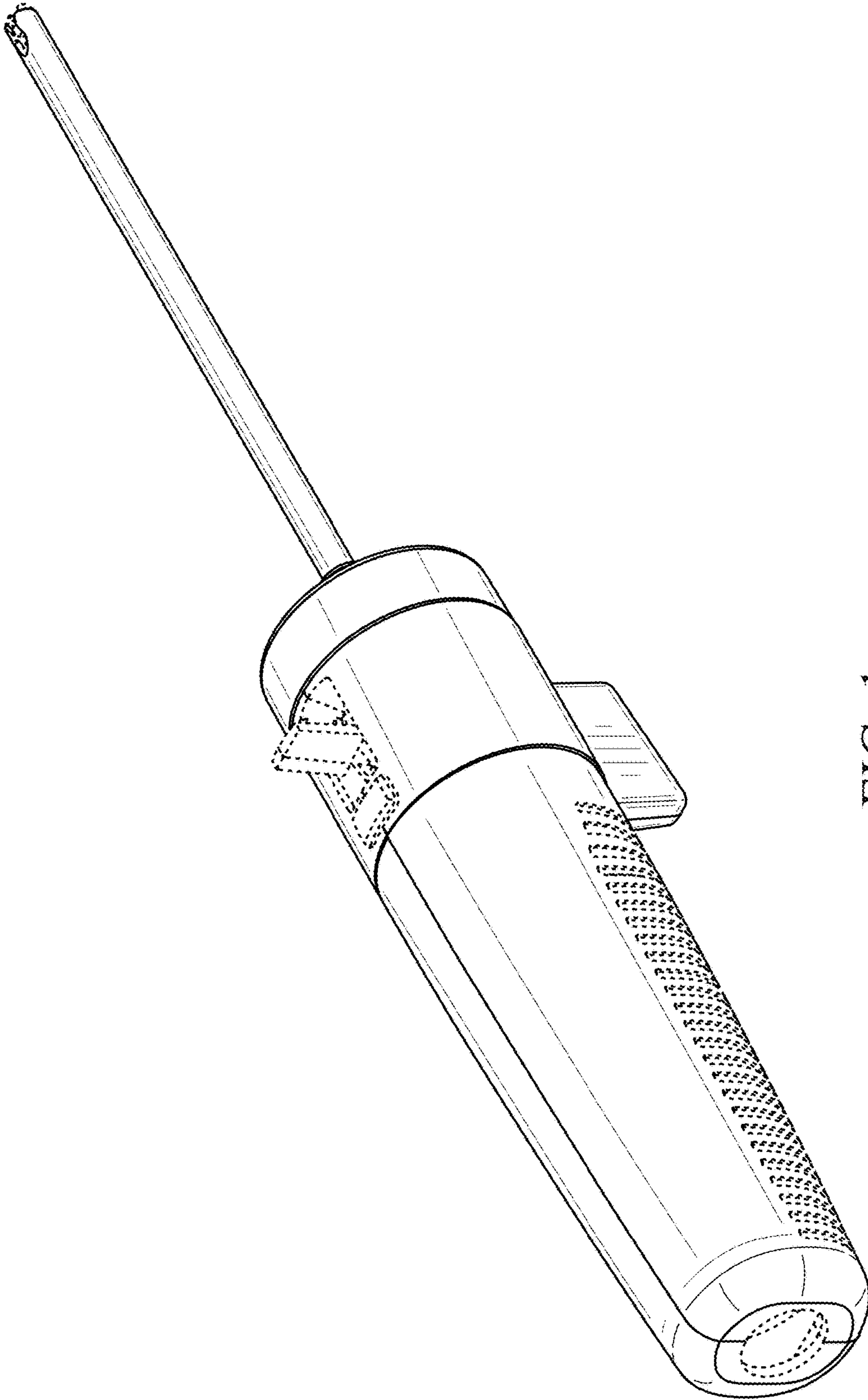


FIG. 1

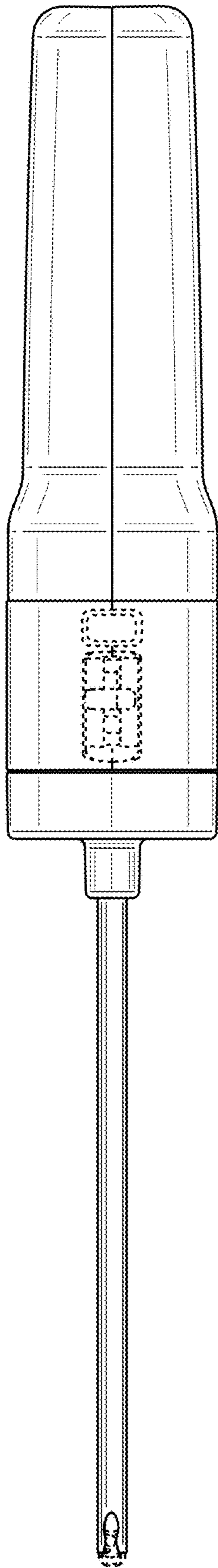


FIG. 2

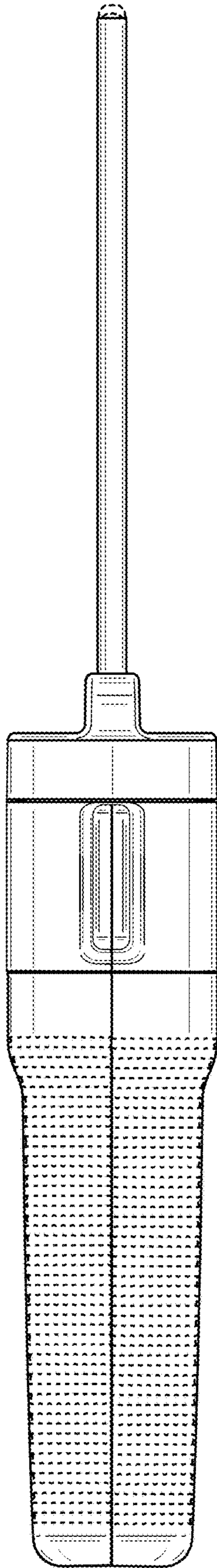


FIG. 3

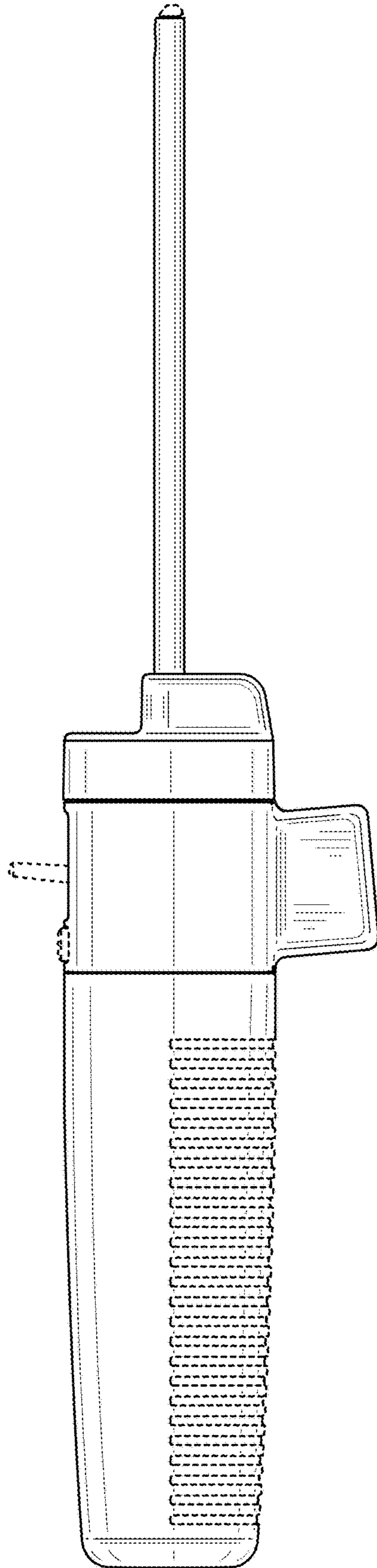


FIG. 4

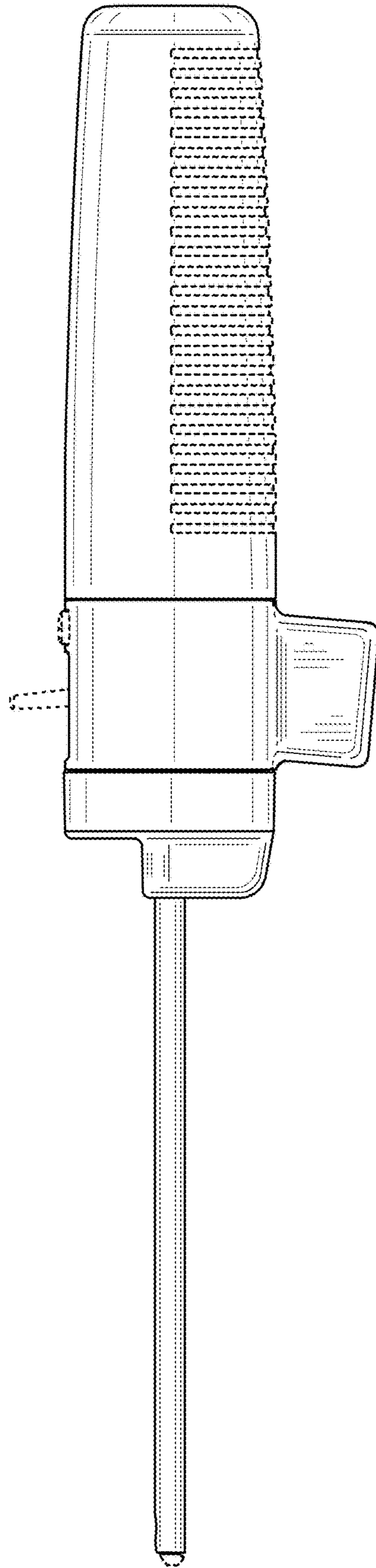


FIG. 5

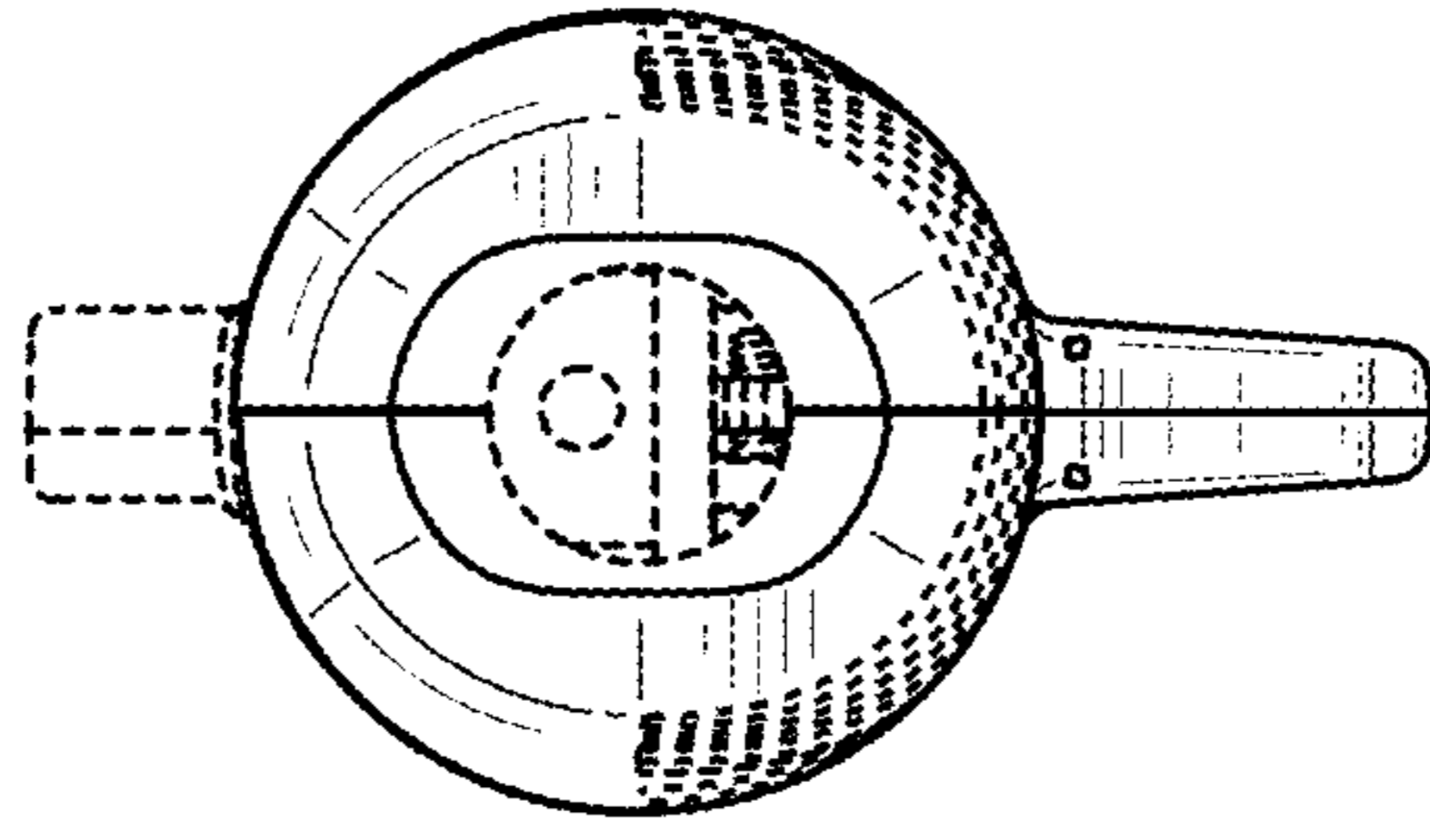


FIG. 7

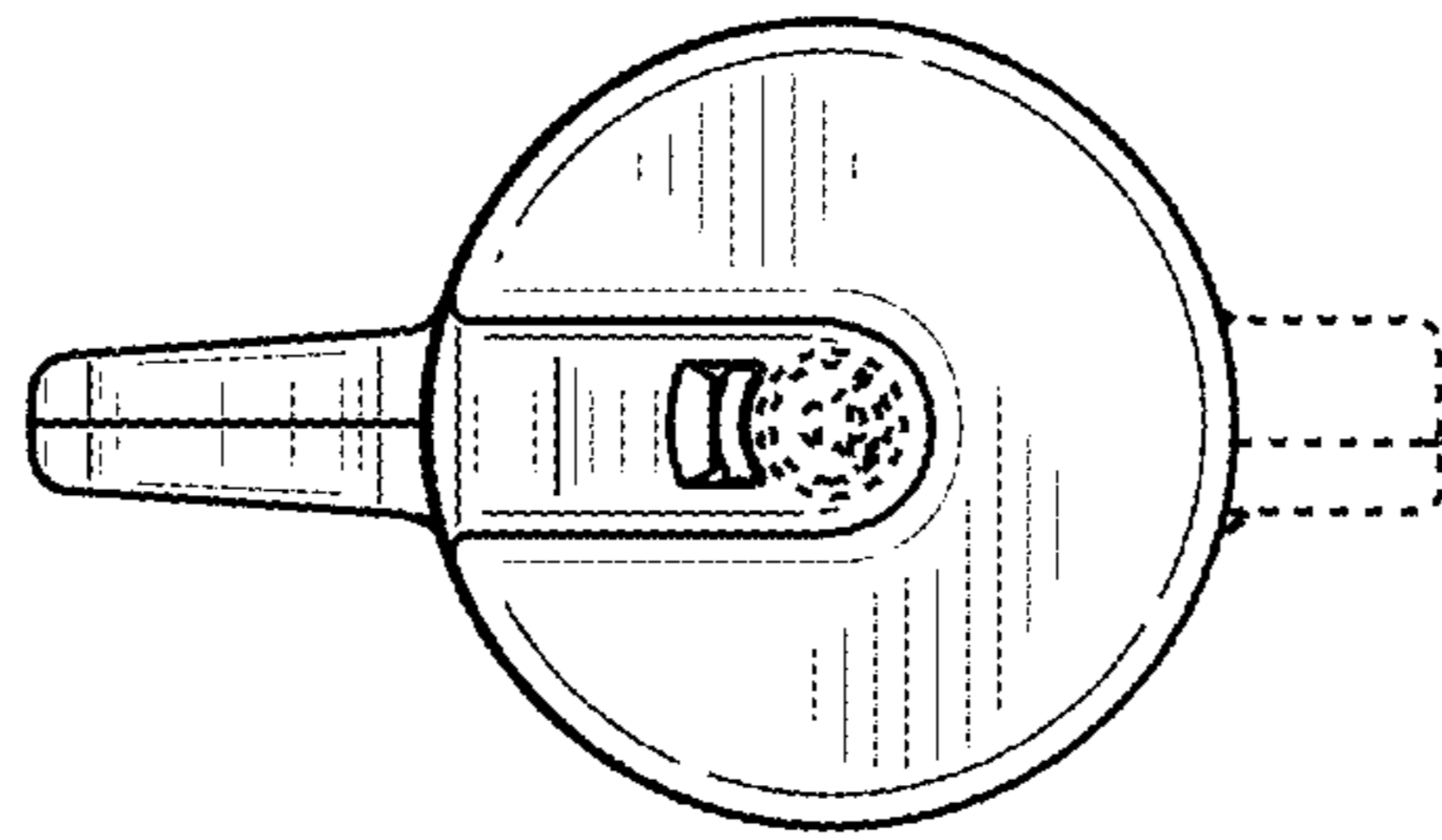


FIG. 6