



US00D795421S

(12) **United States Design Patent** (10) **Patent No.:** **US D795,421 S**
Ratner (45) **Date of Patent:** **** Aug. 22, 2017**

- (54) **CONNECTOR** 6,095,986 A * 8/2000 Braig A61B 5/097
128/204.23
- (71) Applicant: **MERCURY ENTERPRISES, INC.**, Clearwater, FL (US) D435,652 S * 12/2000 Nazarifar D23/262
D439,663 S * 3/2001 Guala D24/129
D474,839 S * 5/2003 Francavilla D24/129
D625,003 S * 10/2010 Stephens D24/129
- (72) Inventor: **Jeffrey B. Ratner**, Pinellas Park, FL (US) D726,123 S * 4/2015 Su D13/154
D736,914 S * 8/2015 Schultz D24/129
D736,915 S * 8/2015 Schultz D24/129
D750,236 S * 2/2016 Maurice D24/129
- (73) Assignee: **MERCURY ENTERPRISES, INC.**, Clearwater, FL (US) D757,260 S * 5/2016 Lombardi, III D24/129
D761,421 S * 7/2016 Nakagami D24/129

(**) Term: **15 Years**

(21) Appl. No.: **29/537,914**

(22) Filed: **Aug. 31, 2015**

(51) **LOC (10) Cl.** **24-02**

(52) **U.S. Cl.**
USPC **D24/129**

(58) **Field of Classification Search**
USPC D24/129, 112-114, 108, 130, 127, 133,
D24/186; 606/181, 185; 604/264,
604/523-528, 272, 164.01-164.11, 187,
604/93.01; 600/101, 139, 143;
128/200.24, 207.14, 207.15
CPC A61M 25/00; A61M 39/00; A61M 27/00;
A61M 25/0043; A61M 25/0067; A61M
25/0097; A61F 2/958
See application file for complete search history.

(56) **References Cited**

U.S. PATENT DOCUMENTS

- D303,710 S * 9/1989 Neill D23/262
- D371,196 S * 6/1996 Loffert D24/129

* cited by examiner

Primary Examiner — David Muller

(74) *Attorney, Agent, or Firm* — Larson & Larson, P.A.;
Frank Liebenow

(57) **CLAIM**

The ornamental design for a connector, as shown and described.

DESCRIPTION

FIG. 1 is a front elevation view of the connector showing my new design;
FIG. 2 is a rear elevation view thereof;
FIG. 3 is a left side elevation view thereof;
FIG. 4 is a right side elevation view thereof;
FIG. 5 is an enlarged top plan view thereof;
FIG. 6 is an enlarged bottom plan view thereof; and,
FIG. 7 is a perspective view thereof.
The broken line showing of parts of the drawings is included for the purpose of illustrating use and environment and forms no part of the claimed design.

1 Claim, 4 Drawing Sheets

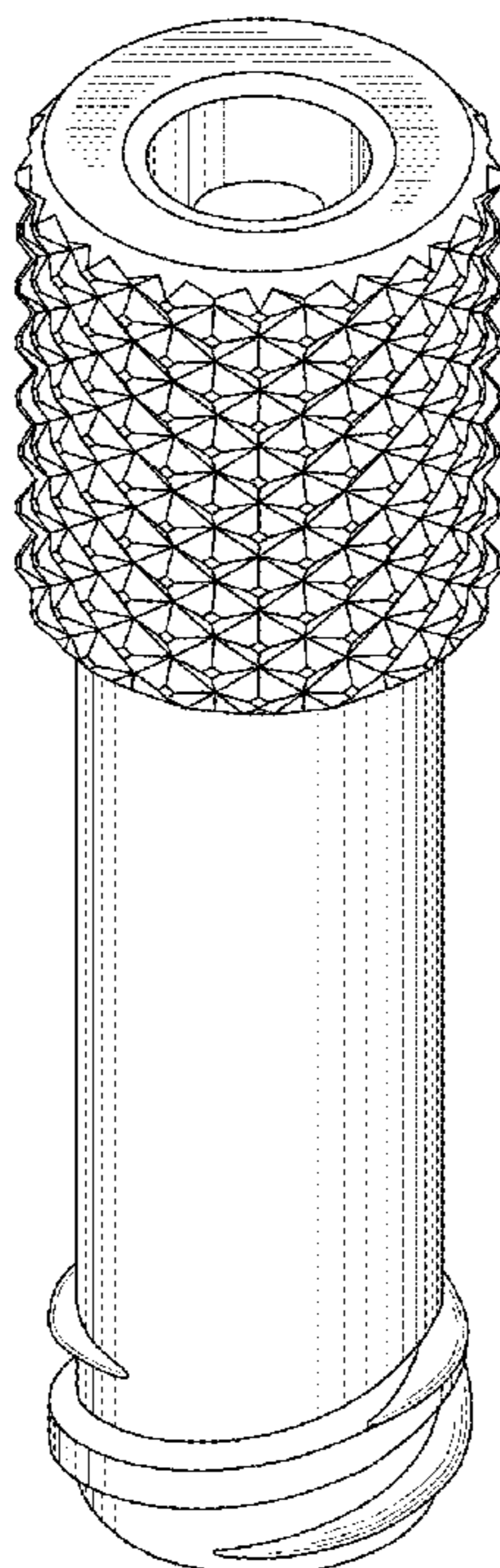


FIG. 1

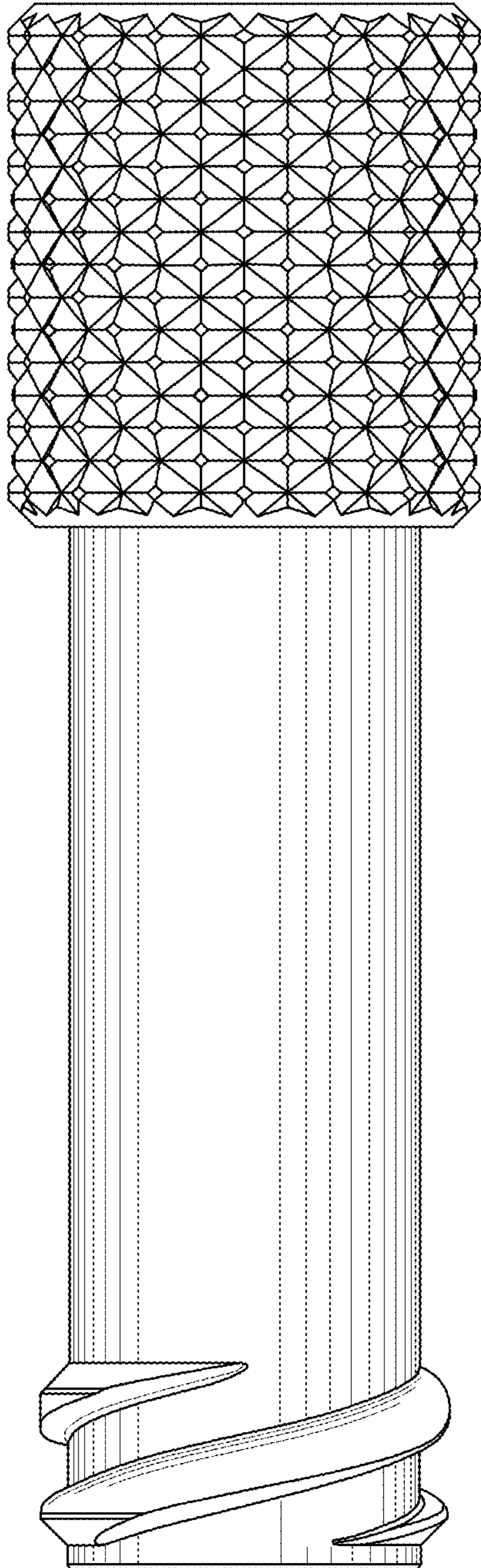


FIG. 2

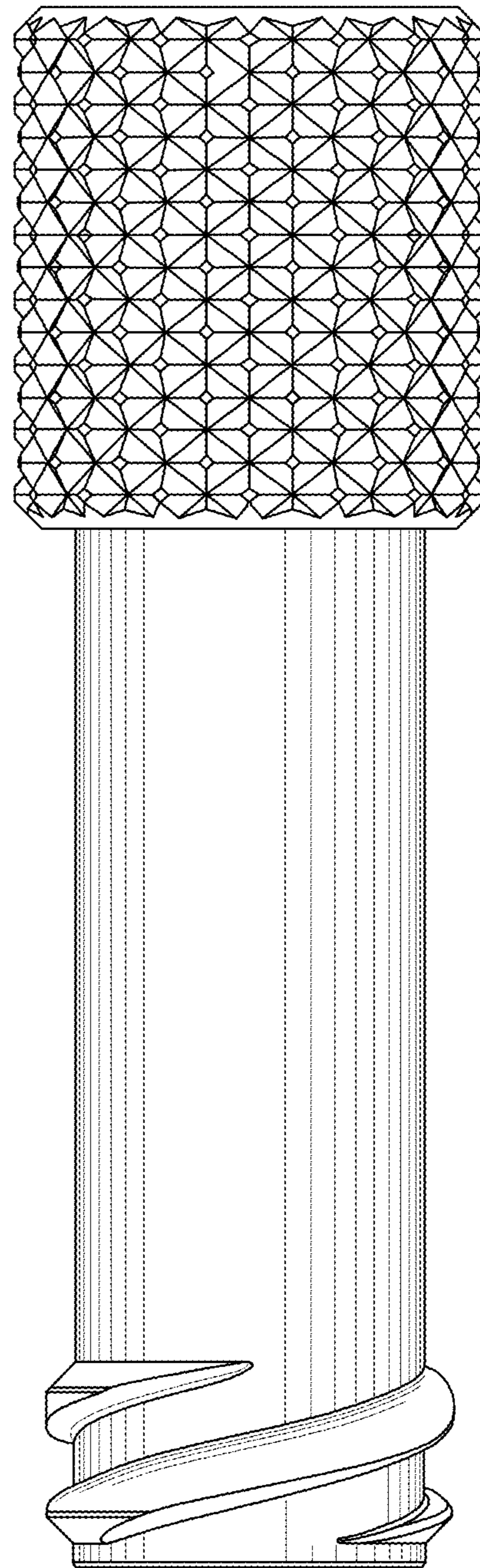


FIG. 3

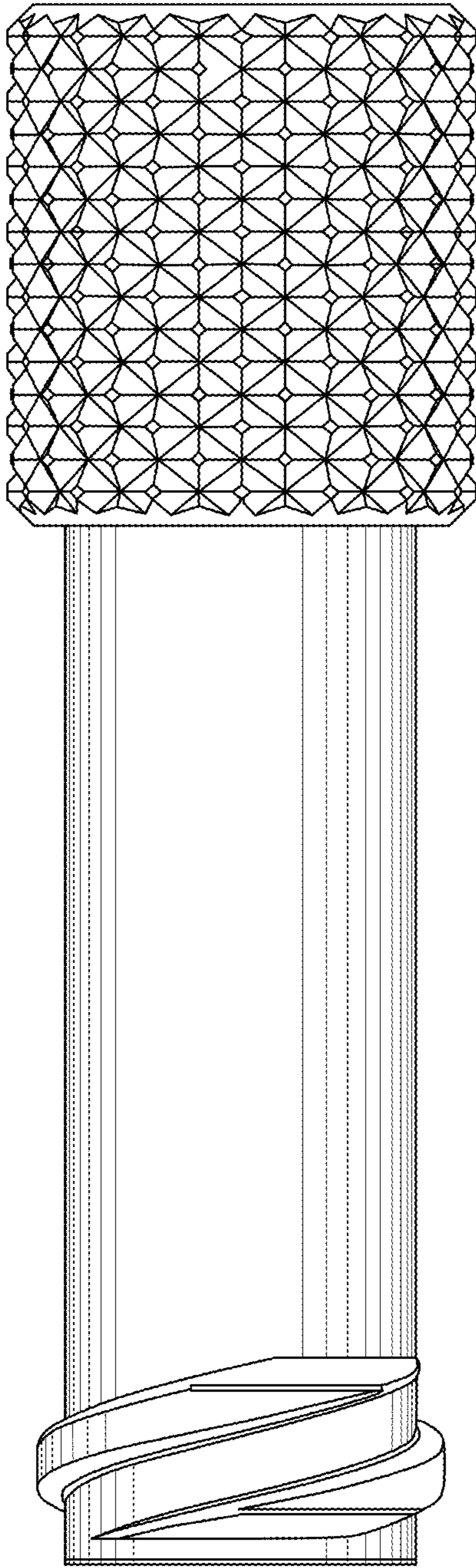
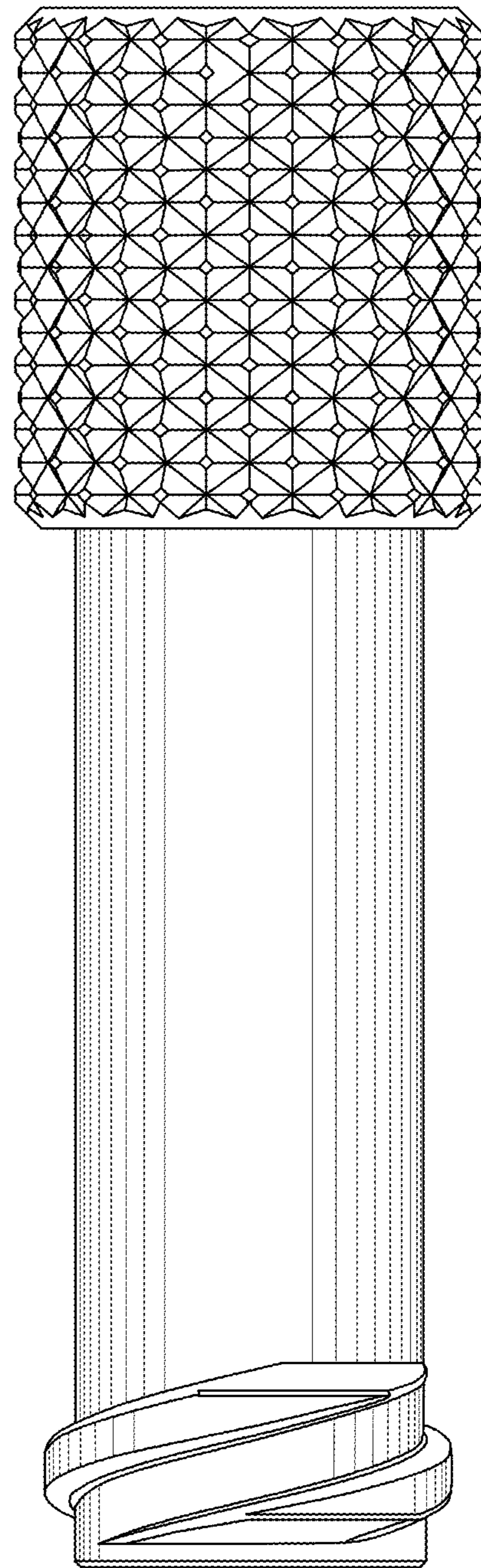


FIG. 4



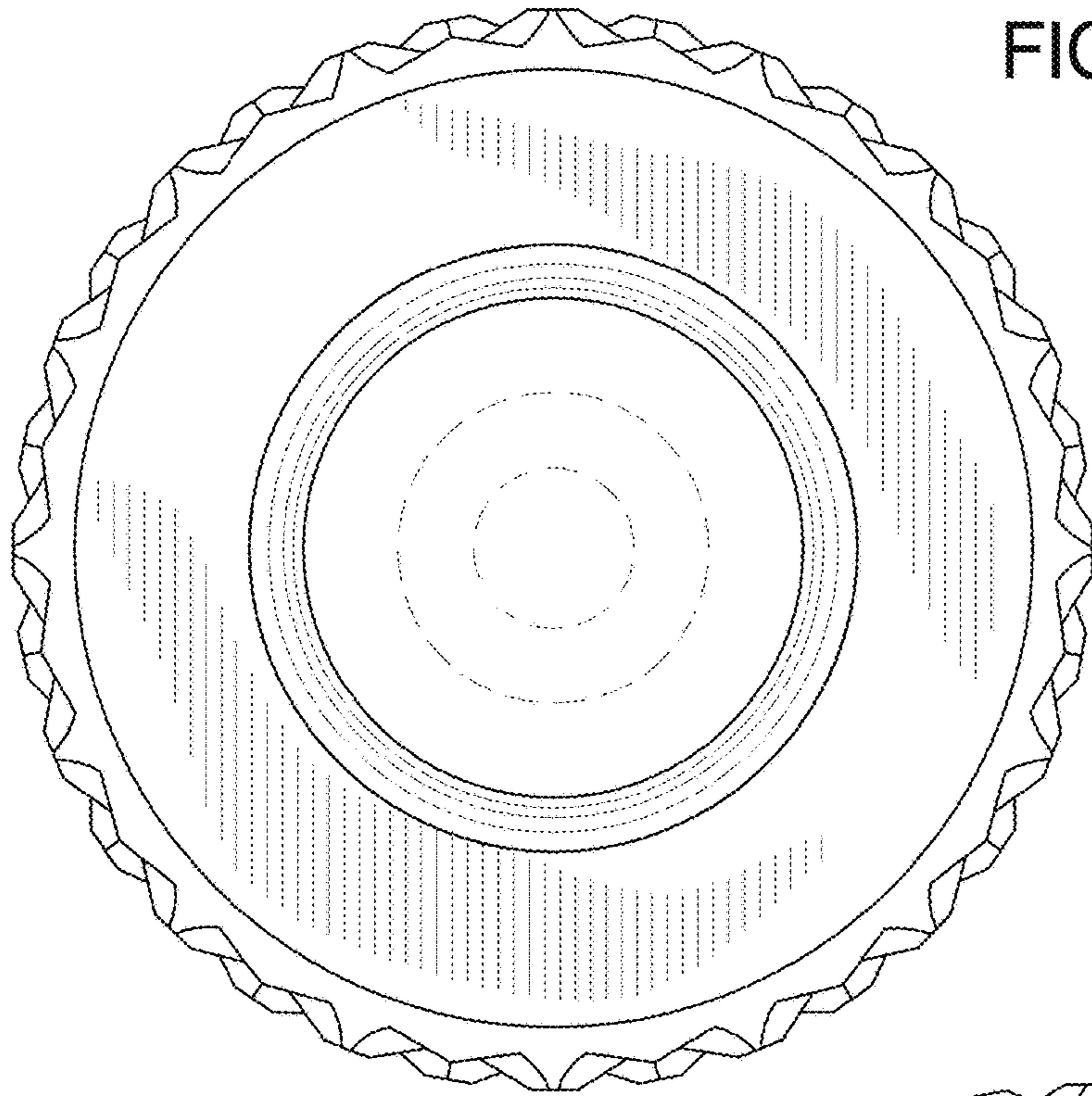


FIG. 5

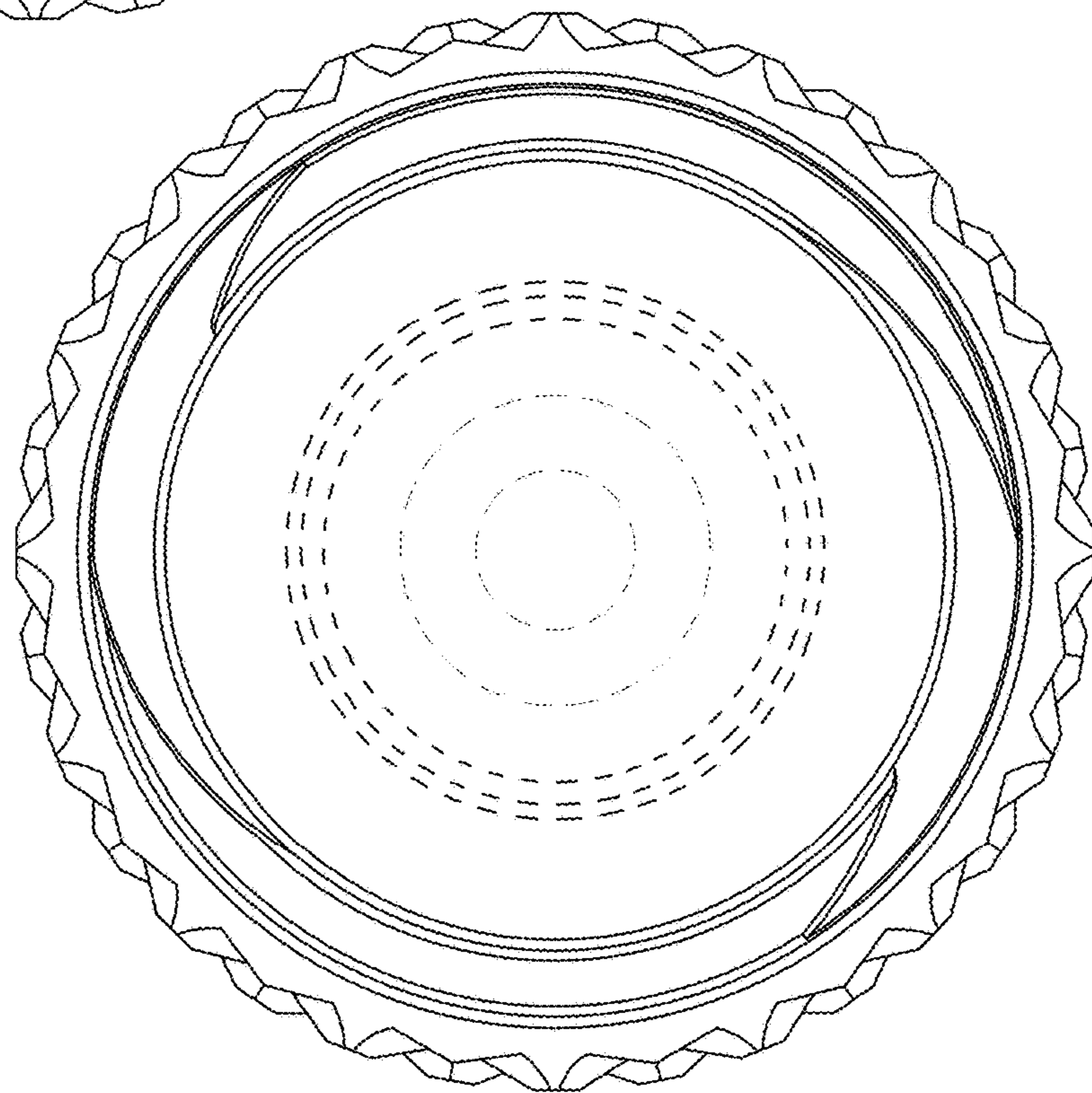


FIG. 6

FIG. 7

