



US00D795420S

(12) **United States Design Patent** (10) **Patent No.:** **US D795,420 S**  
**Rimsa et al.** (45) **Date of Patent:** **\*\* Aug. 22, 2017**

- (54) **TISSUE TRANSFER APPARATUS**
- (71) Applicant: **LifeCell Corporation**, Branchburg, NJ (US)
- (72) Inventors: **Joseph Rimsa**, Palo Alto, CA (US);  
**Brian J. Domecus**, San Francisco, CA (US)
- (73) Assignee: **LifeCell Corporation**, Branchburg, NJ (US)
- (\*\*) Term: **15 Years**
- (21) Appl. No.: **29/557,749**
- (22) Filed: **Mar. 11, 2016**

**Related U.S. Application Data**

- (63) Continuation of application No. 29/533,766, filed on Jul. 22, 2015, now Pat. No. Des. 751,692, which is a continuation of application No. 29/497,697, filed on Jul. 28, 2014, now Pat. No. Des. 737,431, which is a continuation of application No. 29/435,991, filed on Oct. 31, 2012, now Pat. No. Des. 710,003, which is a continuation-in-part of application No. 13/371,270, filed on Feb. 10, 2012, now Pat. No. 9,314,568.
- (60) Provisional application No. 61/510,967, filed on Jul. 22, 2011, provisional application No. 61/489,811, filed on May 25, 2011, provisional application No. 61/442,060, filed on Feb. 11, 2011.
- (51) **LOC (10) Cl.** ..... **24-02**
- (52) **U.S. Cl.**  
USPC ..... **D24/113**
- (58) **Field of Classification Search**  
USPC ..... D24/112-114, 130, 127, 133, 186, 108;  
606/181, 185; 604/264, 272, 115,  
604/164.01-164.09, 533, 232, 187,  
604/168.01, 192, 19, 48, 93.01, 523, 524,  
604/526, 131, 152; 600/101, 139, 143;  
128/200.24, 207.14, 207.15

CPC ..... A61M 25/00; A61M 39/00; A61M 27/00;  
A61M 25/0043; A61M 25/0067; A61M  
25/0097; A61F 2/958  
See application file for complete search history.

(56) **References Cited**

U.S. PATENT DOCUMENTS

- 4,753,634 A 6/1988 Johnson
- 5,785,640 A 7/1998 Kresch et al.
- D401,336 S 11/1998 Muller et al.

(Continued)

OTHER PUBLICATIONS

Coleman et al; "Fat Grafting to the Breast Revisited: Safety and Efficacy;" *Plastic and Reconstructive Surgery*; 119(3); 775-785 (Mar. 2007)

(Continued)

*Primary Examiner* — David Muller

(74) *Attorney, Agent, or Firm* — McCarter & English, LLP; Matthew R. Van Eman

(57) **CLAIM**

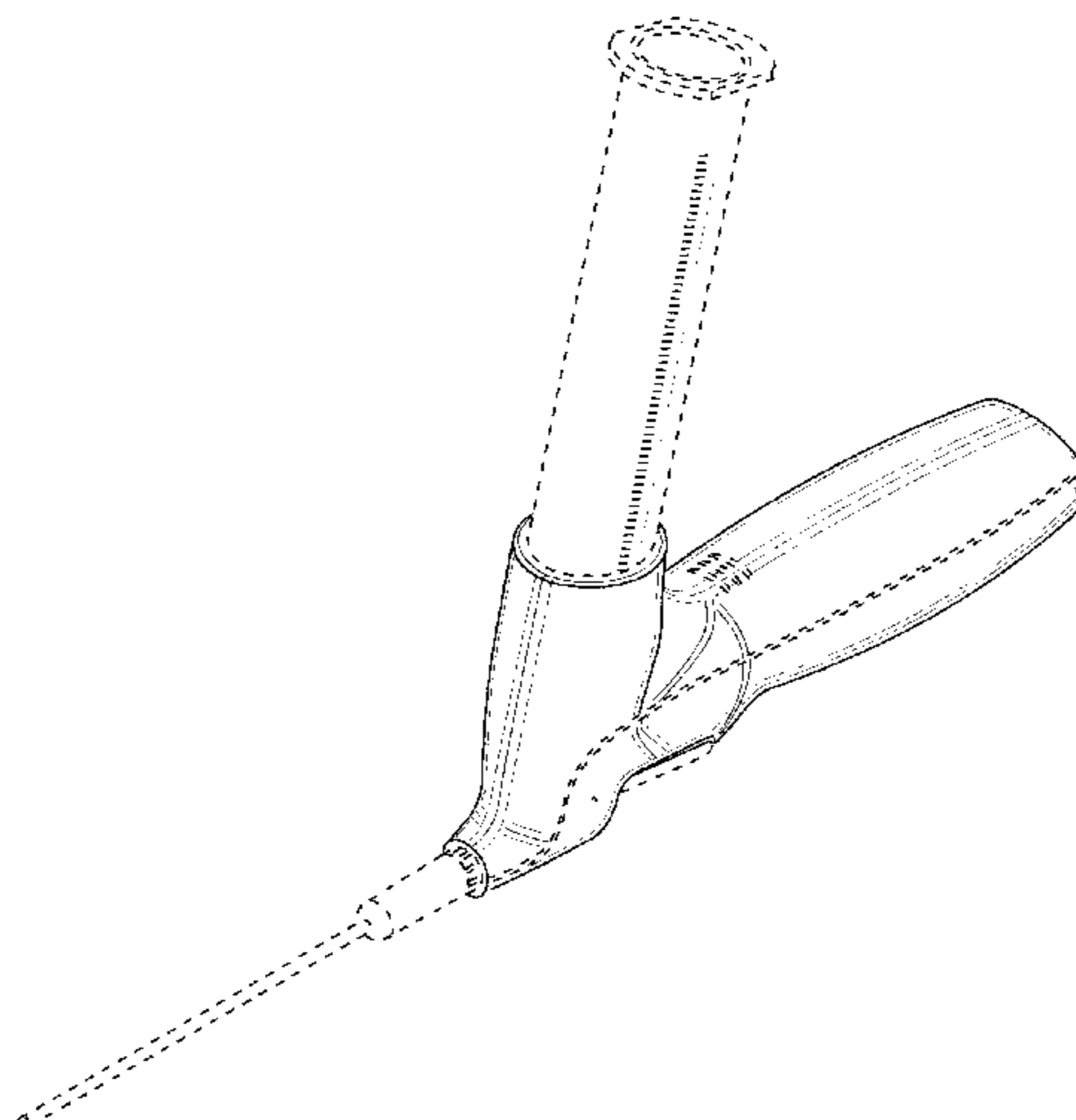
The ornamental design for a tissue transfer apparatus, as shown and described.

**DESCRIPTION**

FIG. 1 is a perspective view of a tissue transfer apparatus; FIG. 2 is a perspective view thereof; FIG. 3 is a reverse detailed perspective thereof; FIG. 4 is a side view thereof; FIG. 5 is a top view thereof; FIG. 6 is a bottom view thereof; FIG. 7 is a front end view thereof; FIG. 8 is a back end view thereof; FIG. 9 is a right side view thereof; and, FIG. 10 is a left side view thereof.

All features illustrated in phantom line are expressly disclaimed and form no part of the claimed design.

**1 Claim, 8 Drawing Sheets**



(56)

References Cited

U.S. PATENT DOCUMENTS

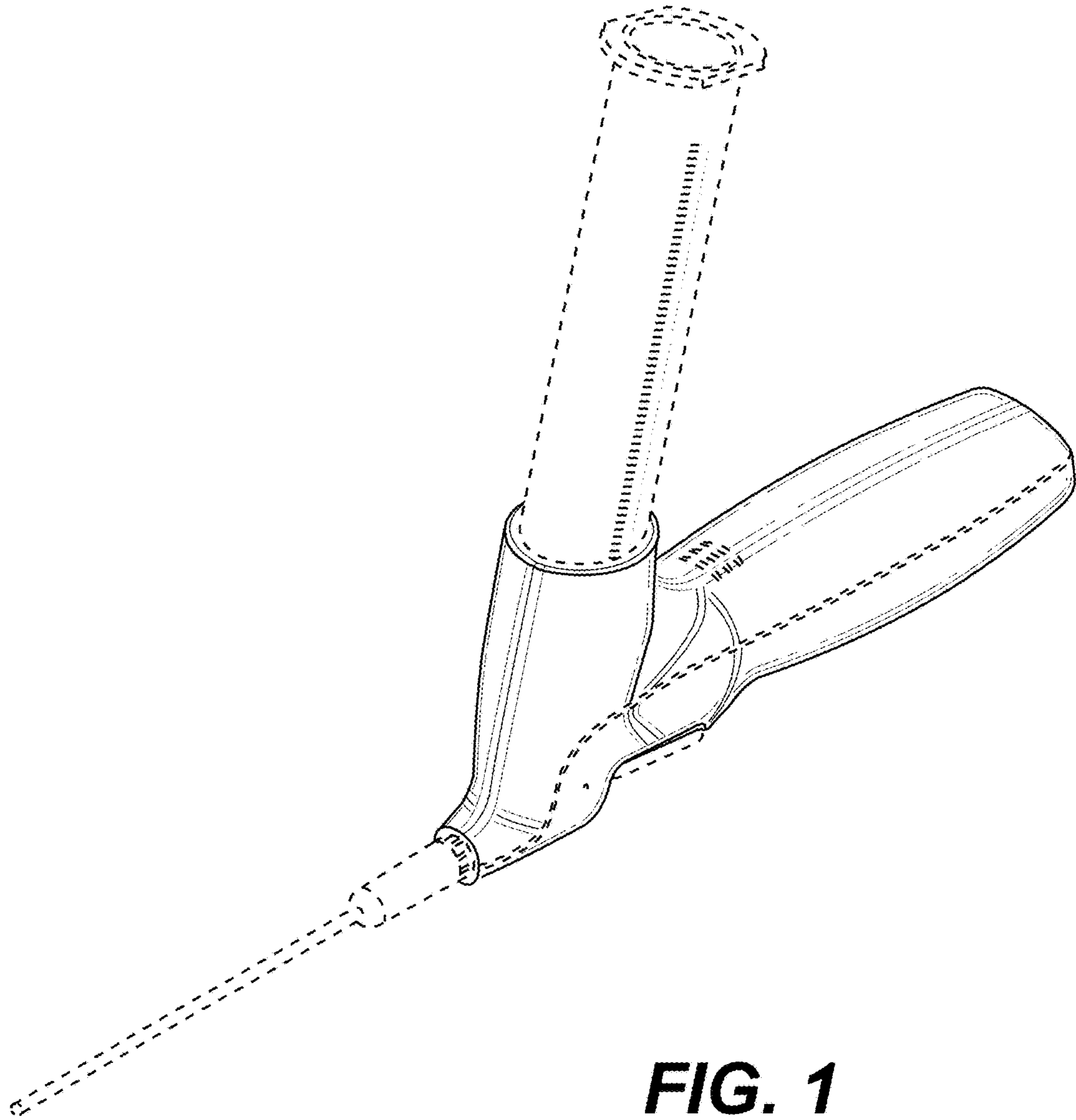
D424,194 S 5/2000 Holdaway et al.  
 6,258,054 B1 7/2001 Mozsary et al.  
 D492,995 S 7/2004 Rue et al.  
 D575,393 S 8/2008 Stephens  
 7,588,732 B2 9/2009 Buss  
 7,780,649 B2 8/2010 Shippert  
 7,789,872 B2 9/2010 Shippert  
 7,794,449 B2 9/2010 Shippert  
 8,062,286 B2 11/2011 Shippert  
 8,293,532 B2 10/2012 Moynahan  
 8,333,740 B2 12/2012 Shippert  
 D679,011 S 3/2013 Kitayama et al.  
 8,409,860 B2 4/2013 Moynahan  
 D683,851 S 6/2013 Greenhalgh  
 D687,549 S 8/2013 Johnson et al.  
 D692,559 S 10/2013 Scheibel et al.  
 8,622,997 B2 1/2014 Shippert  
 8,632,498 B2 1/2014 Rimsa et al.  
 D710,003 S 7/2014 Rimsa et al.  
 9,498,278 B2 \* 11/2016 Couture ..... A61B 18/1442  
 9,510,906 B2 \* 12/2016 Boudreaux ..... A61B 18/18  
 9,522,029 B2 \* 12/2016 Yates ..... A61B 17/07207  
 9,526,565 B2 \* 12/2016 Strobl ..... A61B 18/1445  
 D775,729 S \* 1/2017 Mujwid ..... D24/146  
 9,545,253 B2 \* 1/2017 Worrell ..... A61B 17/07207  
 9,549,752 B2 \* 1/2017 Meier ..... A61B 17/32006  
 9,554,854 B2 \* 1/2017 Yates ..... A61B 18/18  
 9,561,038 B2 \* 2/2017 Shelton, IV ..... A61B 17/1285  
 9,592,052 B2 \* 3/2017 Shelton, IV ..... A61B 17/07207  
 9,597,074 B2 \* 3/2017 Felder ..... A61B 17/11  
 9,603,595 B2 \* 3/2017 Shelton, IV ..... A61B 17/072  
 9,603,598 B2 \* 3/2017 Shelton, IV ..... A61B 17/105  
 2002/0188280 A1 12/2002 Nguyen et al.  
 2006/0224144 A1 10/2006 Lee  
 2007/0106208 A1 5/2007 Uber et al.

2008/0167613 A1 7/2008 Khouri et al.  
 2009/0030437 A1 1/2009 Houser et al.  
 2009/0105750 A1 4/2009 Price et al.  
 2009/0287190 A1 11/2009 Shippert  
 2009/0299328 A1 12/2009 Mudd et al.  
 2010/0036370 A1 2/2010 Mirel et al.  
 2010/0036405 A1 2/2010 Giordano et al.  
 2010/0174162 A1 7/2010 Gough et al.  
 2010/0187283 A1 7/2010 Crainich et al.  
 2010/0298851 A1 11/2010 Nield  
 2011/0009822 A1 1/2011 Nielsen  
 2011/0015627 A1 1/2011 DiNardo et al.  
 2011/0082486 A1 4/2011 Messerly et al.  
 2011/0087256 A1 4/2011 Wiener et al.  
 2011/0196405 A1 8/2011 Dietz  
 2011/0230820 A1 9/2011 Lillis et al.  
 2012/0078244 A1 3/2012 Worrell et al.  
 2012/0080457 A1 4/2012 Lovinger et al.  
 2012/0209248 A1 8/2012 Gurtner et al.  
 2013/0131635 A1 5/2013 Rimsa et al.  
 2013/0150825 A1 6/2013 Rimsa et al.

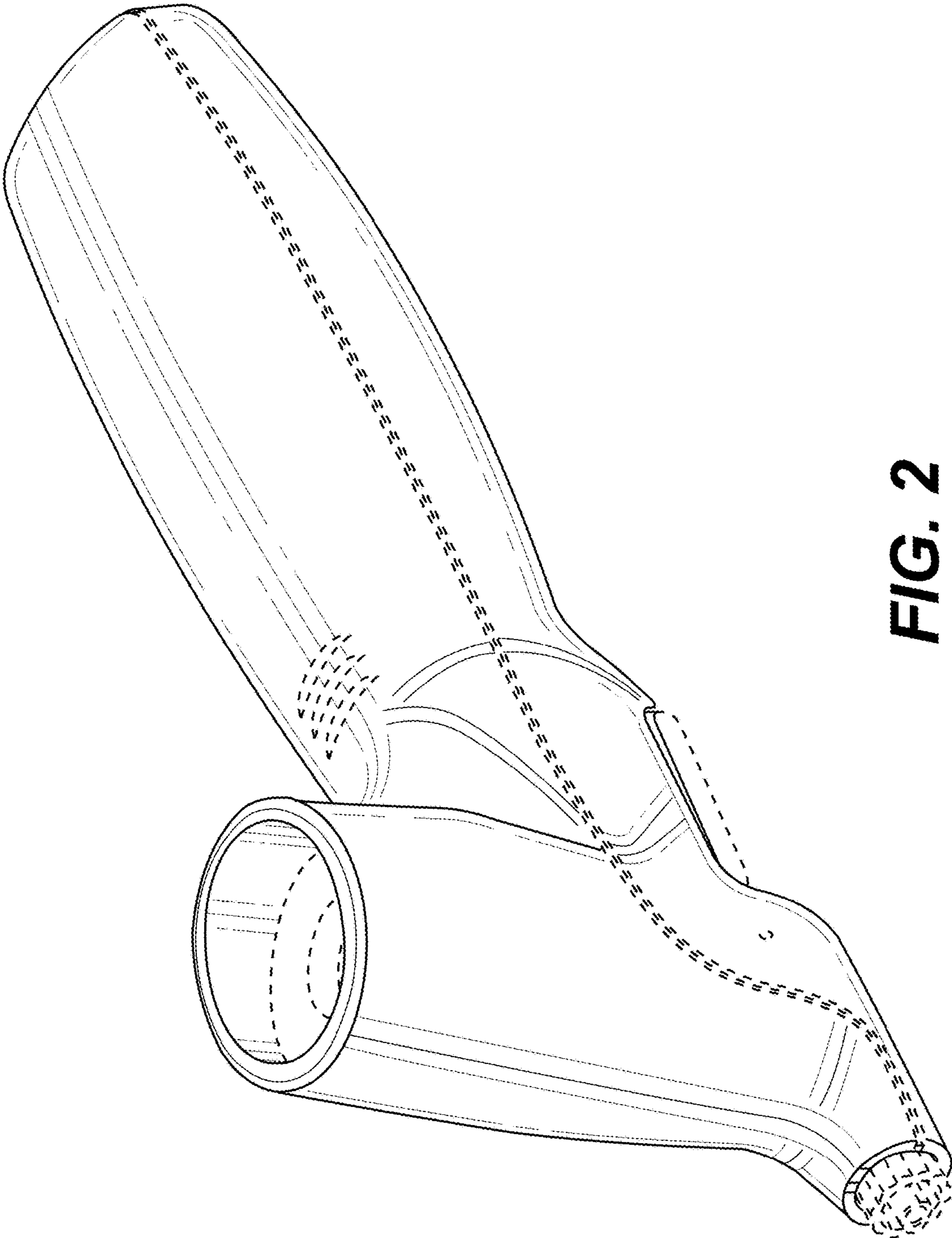
OTHER PUBLICATIONS

Delay et al; "Fat Injection to the Breast: Technique, Results and Indications Based on 880 Procedures Over 10 Years," *Aesthetic Surgery Journal*; 29(5); 360-376 (Sep./Oct. 2009).  
 Ting et al; "A New Technique to Assist Epidural Needle Placement;" *Anesthesiology*; 112(5); 1128-1135 (May 2010).  
 Yoshimura et al.; "Cell-Assisted Lipotransfer for Cosmetic Breast Augmentation: Supportive Use of Adipose-derived Stem/Stromal Cells;" *Aesthetic Plast Surgery Journal*; 32; 48-55 (Sep. 2007).  
 U.S. Appl. No. 29/533,766, filed Jul. 22, 2015.  
 U.S. Appl. No. 29/497,697, filed Jul. 28, 2014, Pat. No. D737431.  
 U.S. Appl. No. 29/435,991, filed Oct. 31, 2012, Pat No. D710003.  
 U.S. Appl. No. 13/371,270, filed Feb. 10, 2012, 2012/0209248.

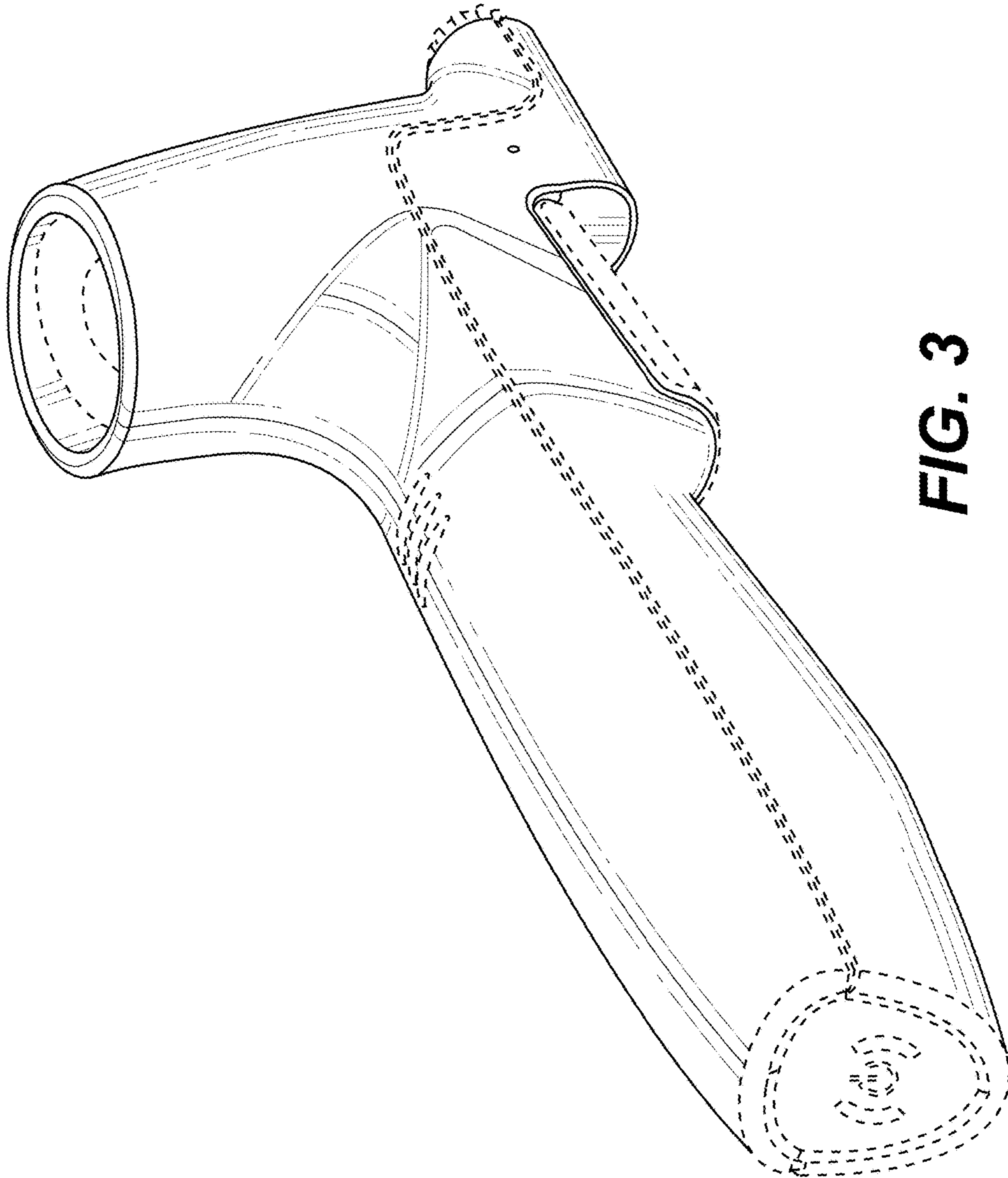
\* cited by examiner



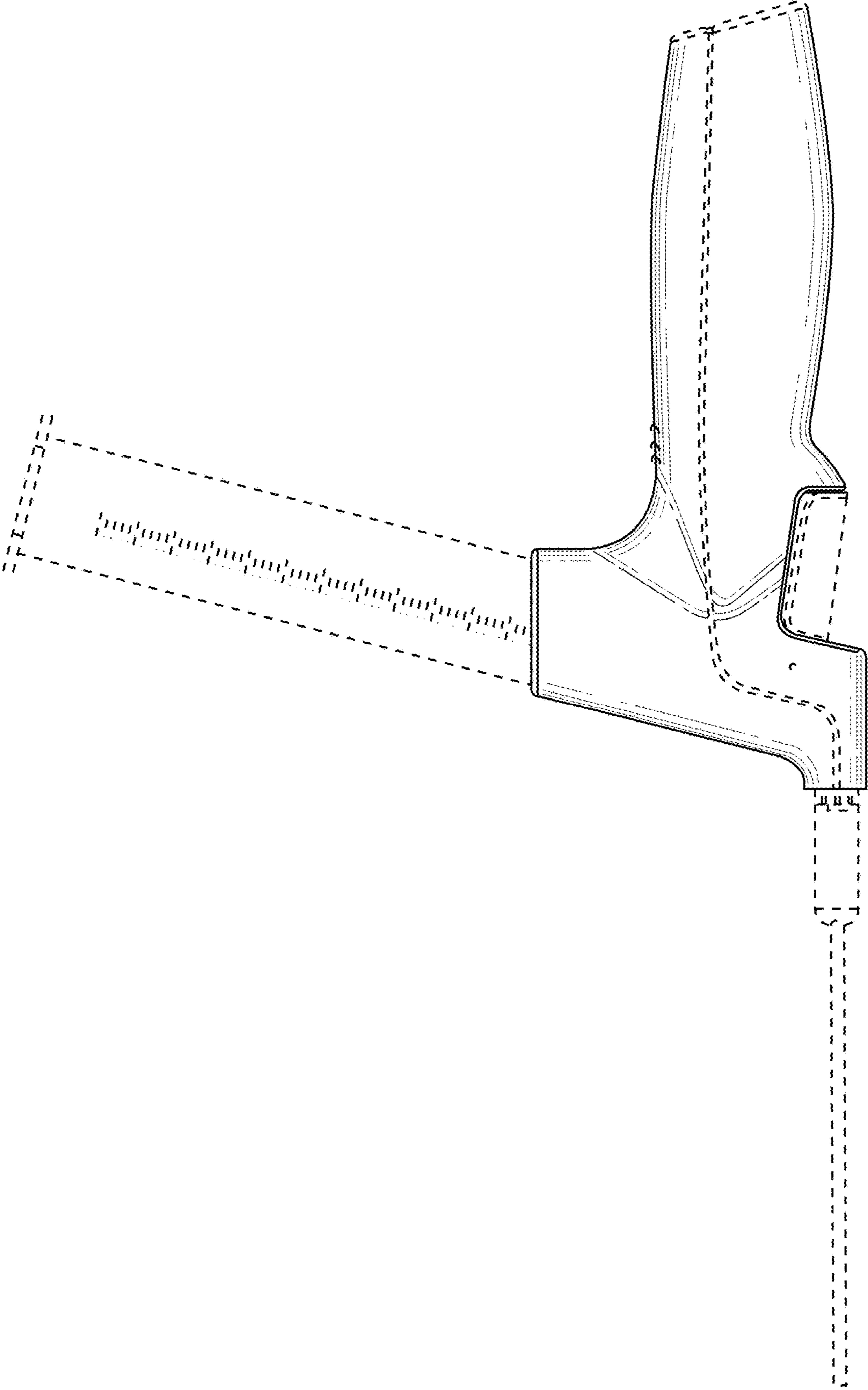
**FIG. 1**



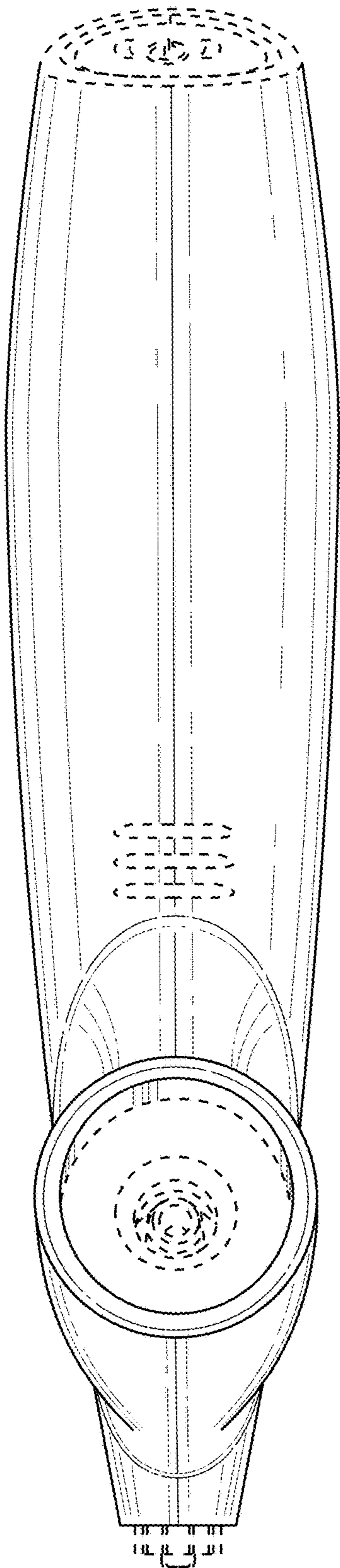
**FIG. 2**



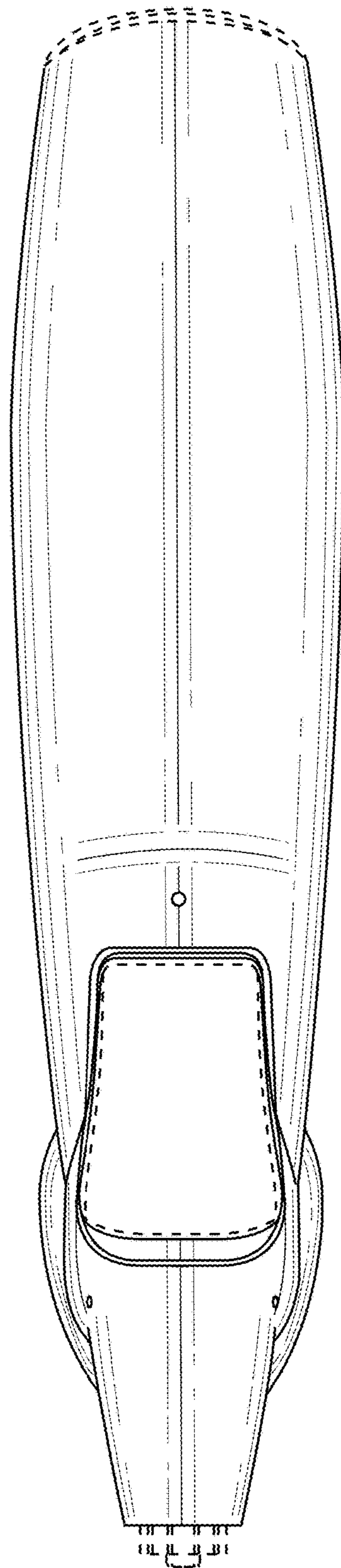
**FIG. 3**



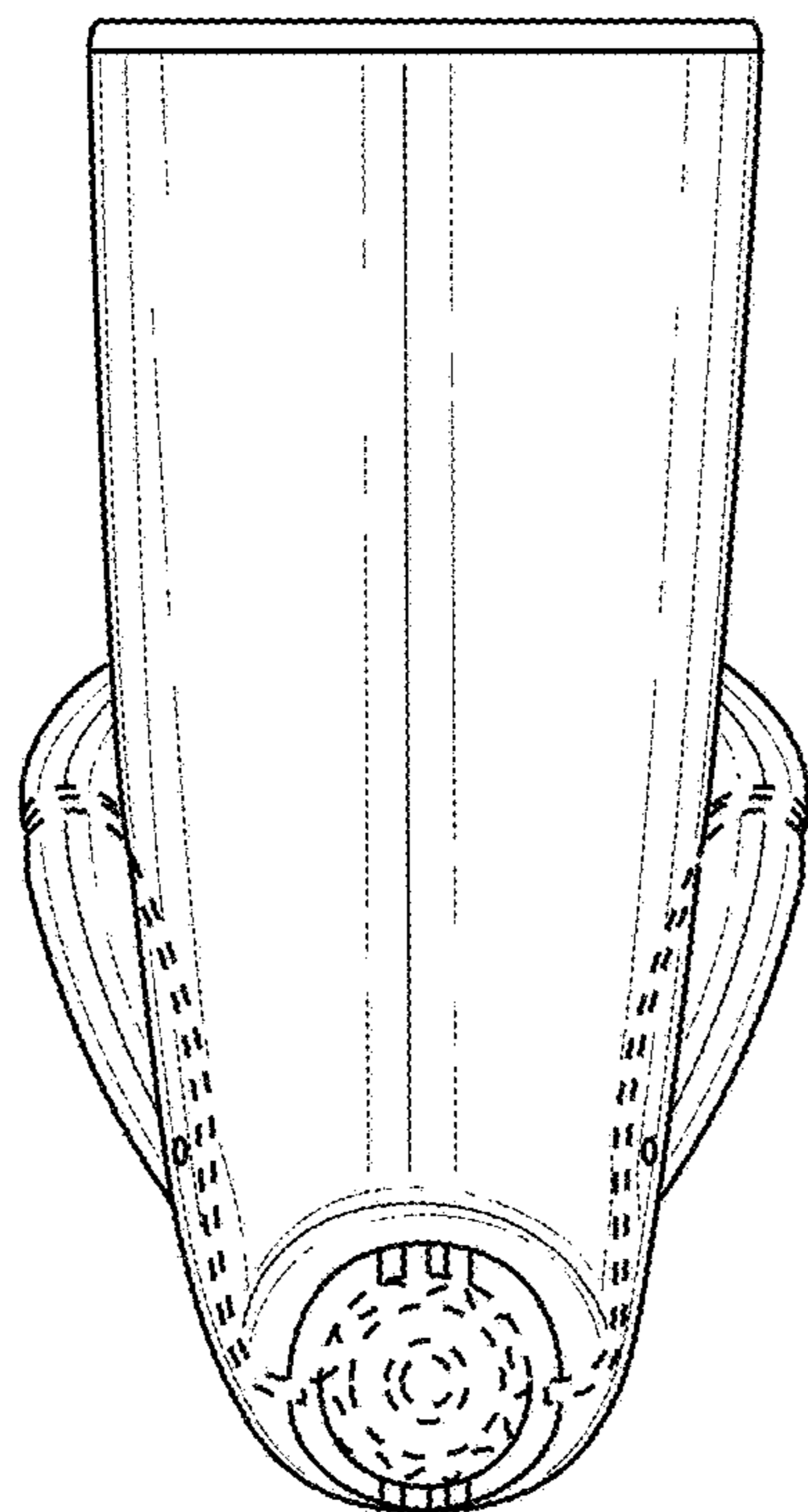
**FIG. 4**



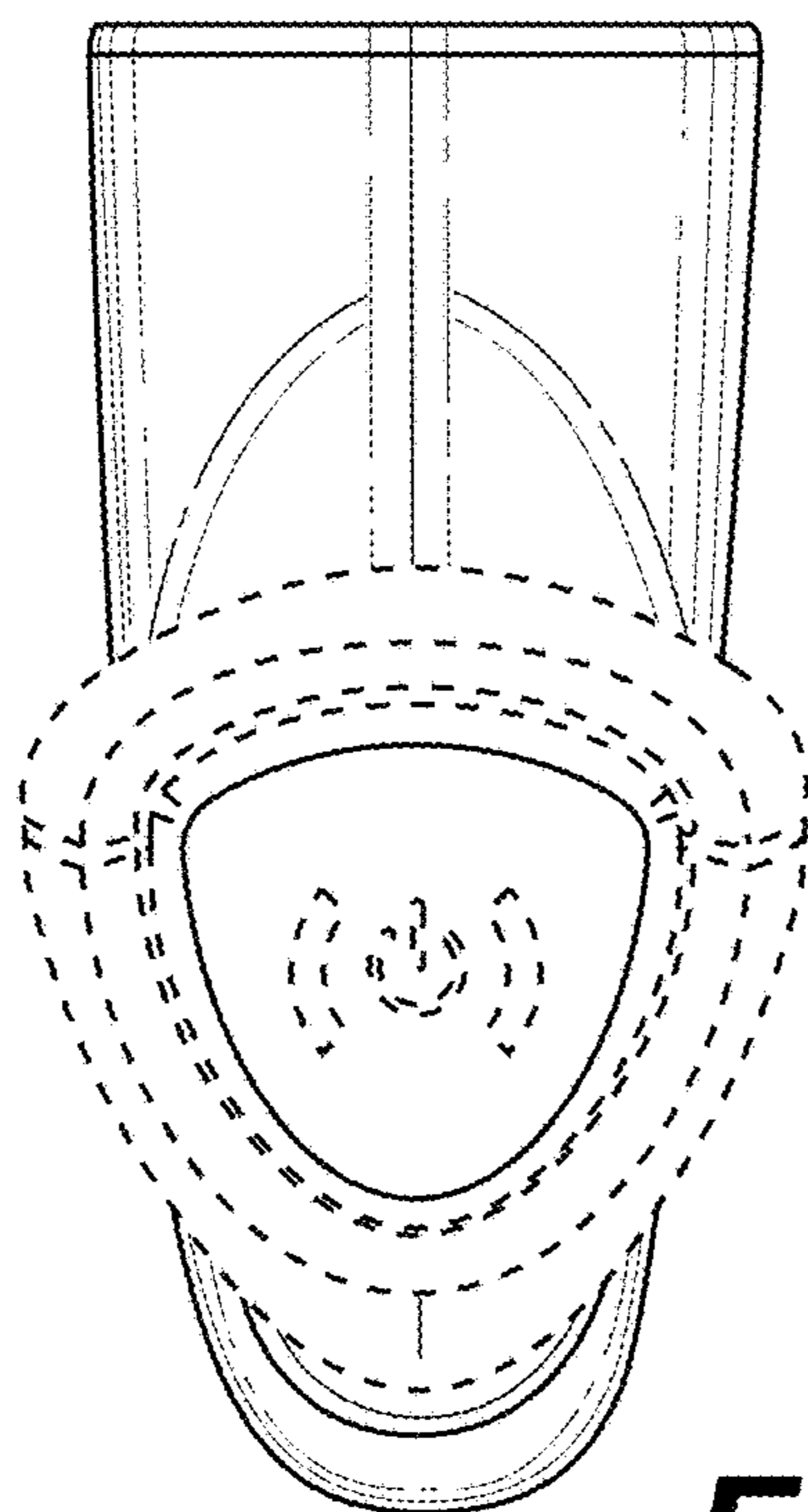
**FIG. 5**



**FIG. 6**

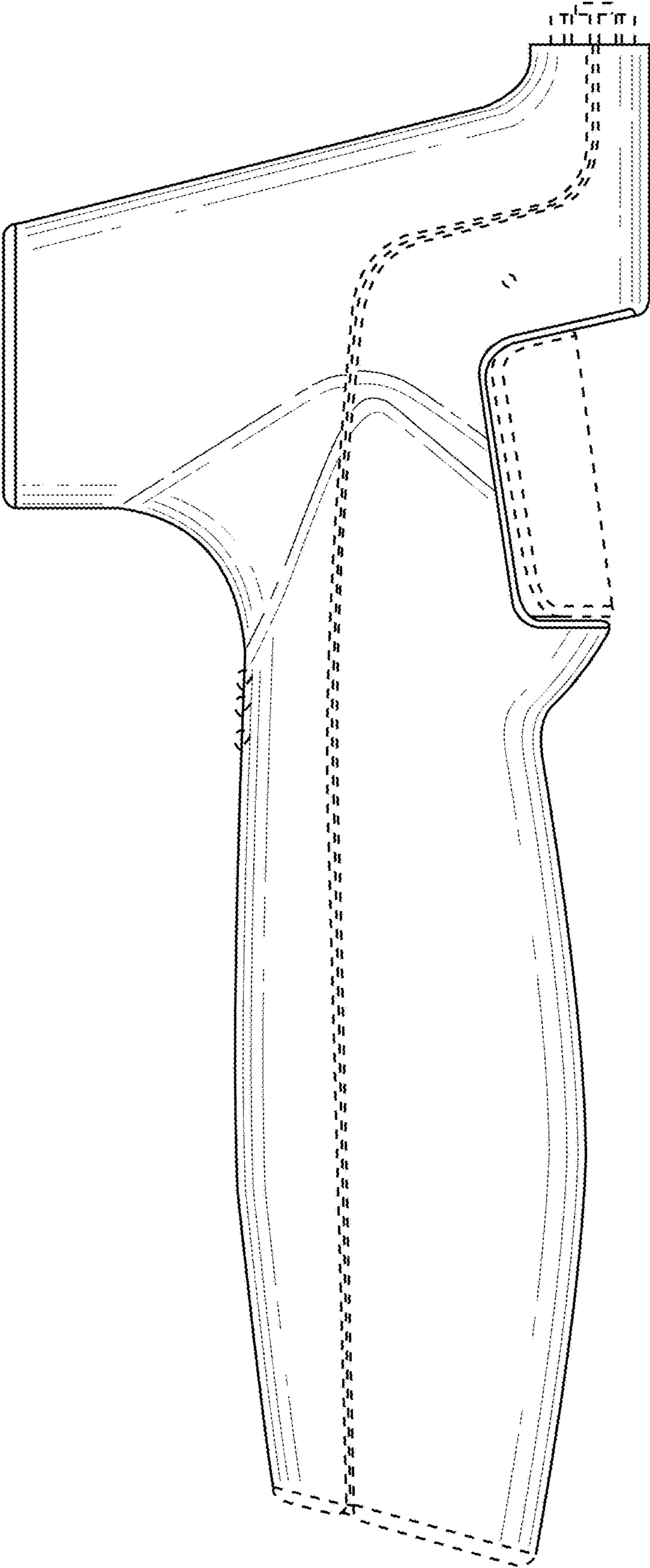


**FIG. 7**

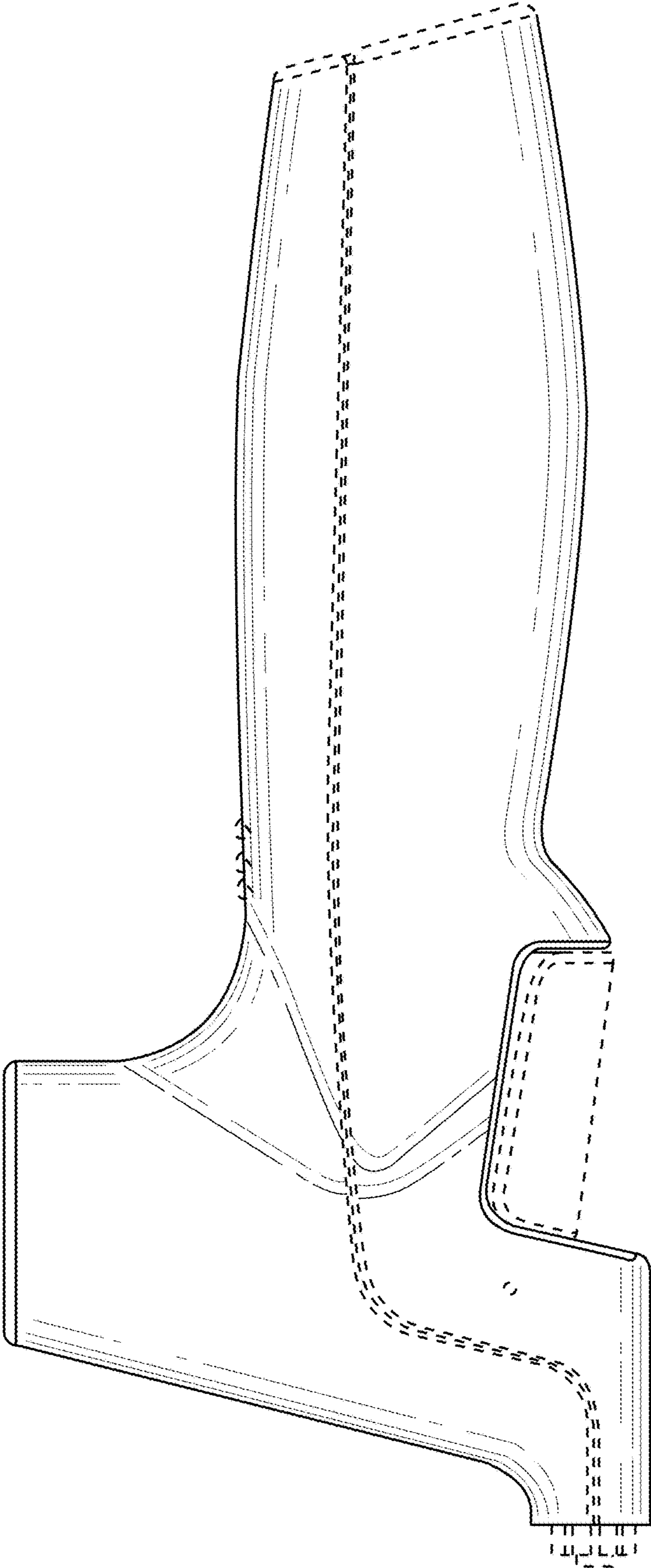


**FIG. 8**





**FIG. 9**



**FIG. 10**