



US00D795418S

(12) **United States Design Patent**
Whitwood

(10) **Patent No.:** **US D795,418 S**

(45) **Date of Patent:** **** Aug. 22, 2017**

- (54) **RESPIRATOR HELMET**
- (71) Applicant: **RPB Safety, LLC**, Royal Oak, MI (US)
- (72) Inventor: **Ryan Whitwood**, Royal Oak, MI (US)
- (73) Assignee: **RPB Safety, LLC**, Royal Oak, MI (US)
- (**) Term: **15 Years**
- (21) Appl. No.: **29/564,609**
- (22) Filed: **May 13, 2016**
- (51) **LOC (10) Cl.** **29-02**
- (52) **U.S. Cl.**
USPC **D24/110.3**; D29/107; D29/110
- (58) **Field of Classification Search**
USPC D24/110.1–110.4, 110.6, 162; D29/107,
D29/108, 110
CPC A62B 18/006; A62B 7/10; A62B 18/045;
A62B 18/08; A62B 18/04; A62B 18/082;
A62B 18/02; A62B 18/00; A42B 3/288;
A42B 3/255; A42B 3/286
See application file for complete search history.

- 5,163,185 A * 11/1992 Hodnett A62B 18/082
2/422
- D359,145 S * 6/1995 Harrison D24/110.3
- 5,533,500 A * 7/1996 Her-Mou A62B 18/045
128/201.24
- D433,542 S * 11/2000 Iwafune D24/110.3
- 6,263,513 B1 * 7/2001 Murakami A42B 3/0493
2/171.3
- D668,327 S * 10/2012 Sumner D24/110.2
- D774,703 S * 12/2016 Brose D29/122
- 2009/0089908 A1 * 4/2009 Huh A62B 18/003
2/8.6
- 2010/0132703 A1 * 6/2010 Ivory A62B 18/082
128/201.24

(Continued)

Primary Examiner — Barbara Fox
Assistant Examiner — Lilyana Bekic
 (74) *Attorney, Agent, or Firm* — Thomas Coester
 Intellectual Property

(57) **CLAIM**

The ornamental design for a respirator helmet, as shown and described.

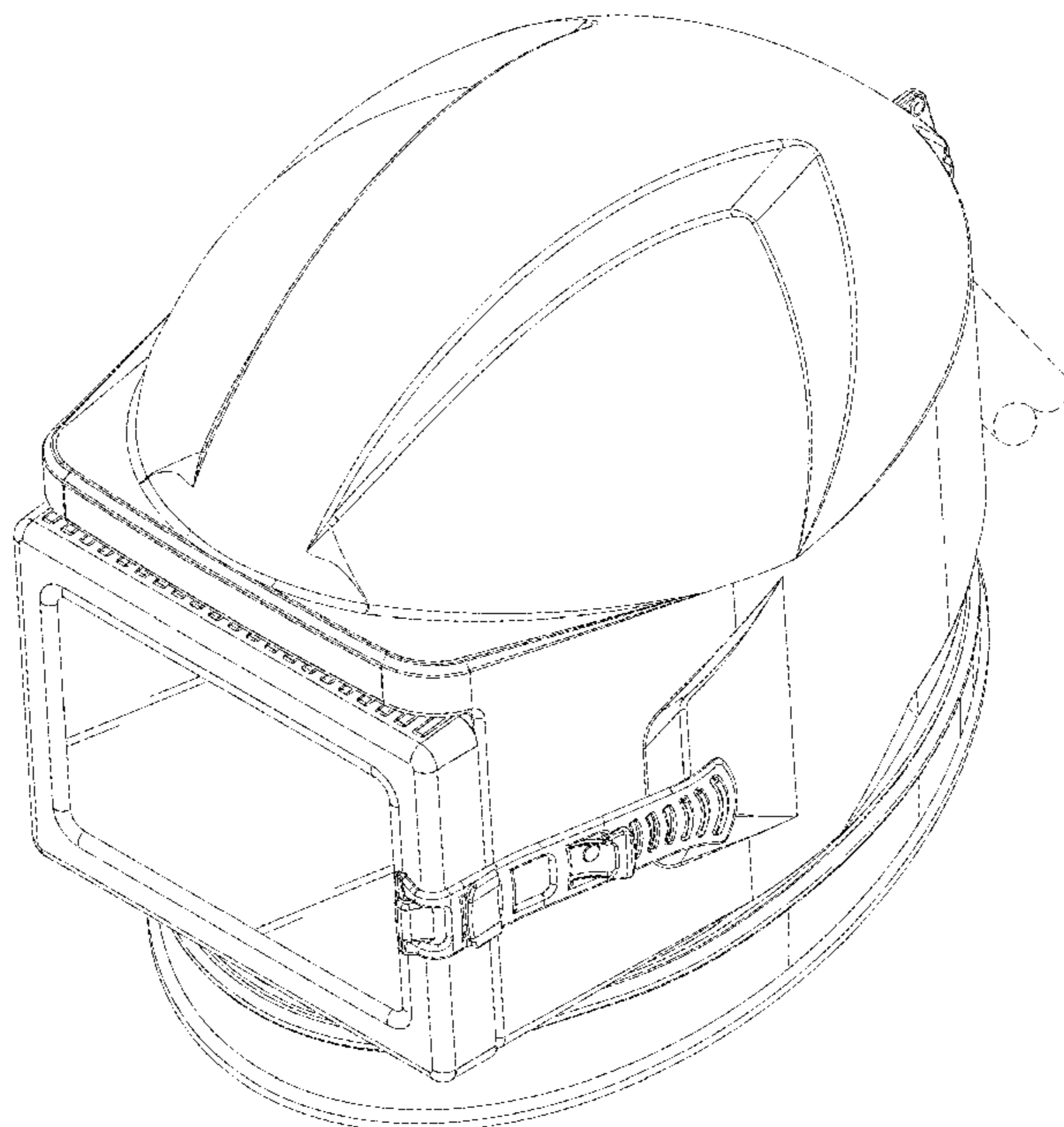
DESCRIPTION

FIG. 1 is a first perspective view of a respirator helmet according to the new invention.
 FIG. 2 is a left side view of the respirator helmet of FIG. 1.
 FIG. 3 is a right side view of the respirator helmet of FIG. 1.
 FIG. 4 is a front view of the respirator helmet of FIG. 1.
 FIG. 5 is a rear view of the respirator helmet of FIG. 1.
 FIG. 6 is a top view of the respirator helmet of FIG. 1; and,
 FIG. 7 is a bottom view of the respirator helmet of FIG. 1.
 The broken lines shown in the drawings depict portions of the respirator helmet that form no part of the claimed design.

1 Claim, 7 Drawing Sheets

(56) **References Cited**
 U.S. PATENT DOCUMENTS

- D214,862 S * 8/1969 Jones D24/110.3
- 3,577,563 A * 5/1971 Raschke A62B 17/04
2/8.1
- 3,685,512 A * 8/1972 Raschke A62B 18/04
128/201.23
- D255,283 S * 6/1980 Piche D24/110.3
- 4,475,248 A * 10/1984 L'Abbe A42B 3/063
2/2.5
- 5,040,528 A * 8/1991 O'Neill A62B 7/10
128/201.27
- D320,868 S * 10/1991 Kumagai D24/110.3



(56)

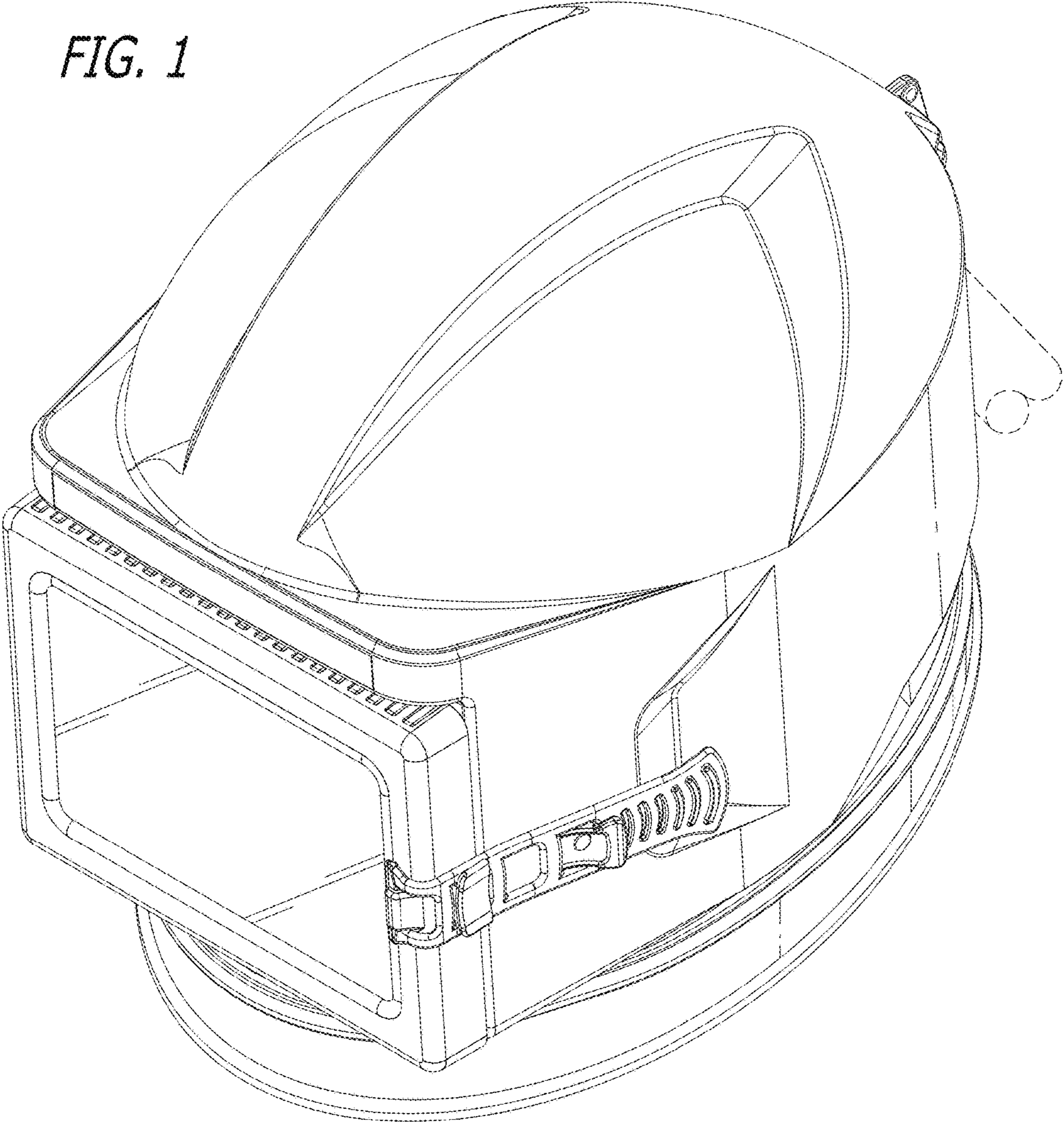
References Cited

U.S. PATENT DOCUMENTS

2010/0132721 A1* 6/2010 Ivory A42B 3/166
128/864
2015/0264992 A1* 9/2015 Happel A42B 3/04
2/422
2016/0360821 A1* 12/2016 Benton A42B 3/06

* cited by examiner

FIG. 1



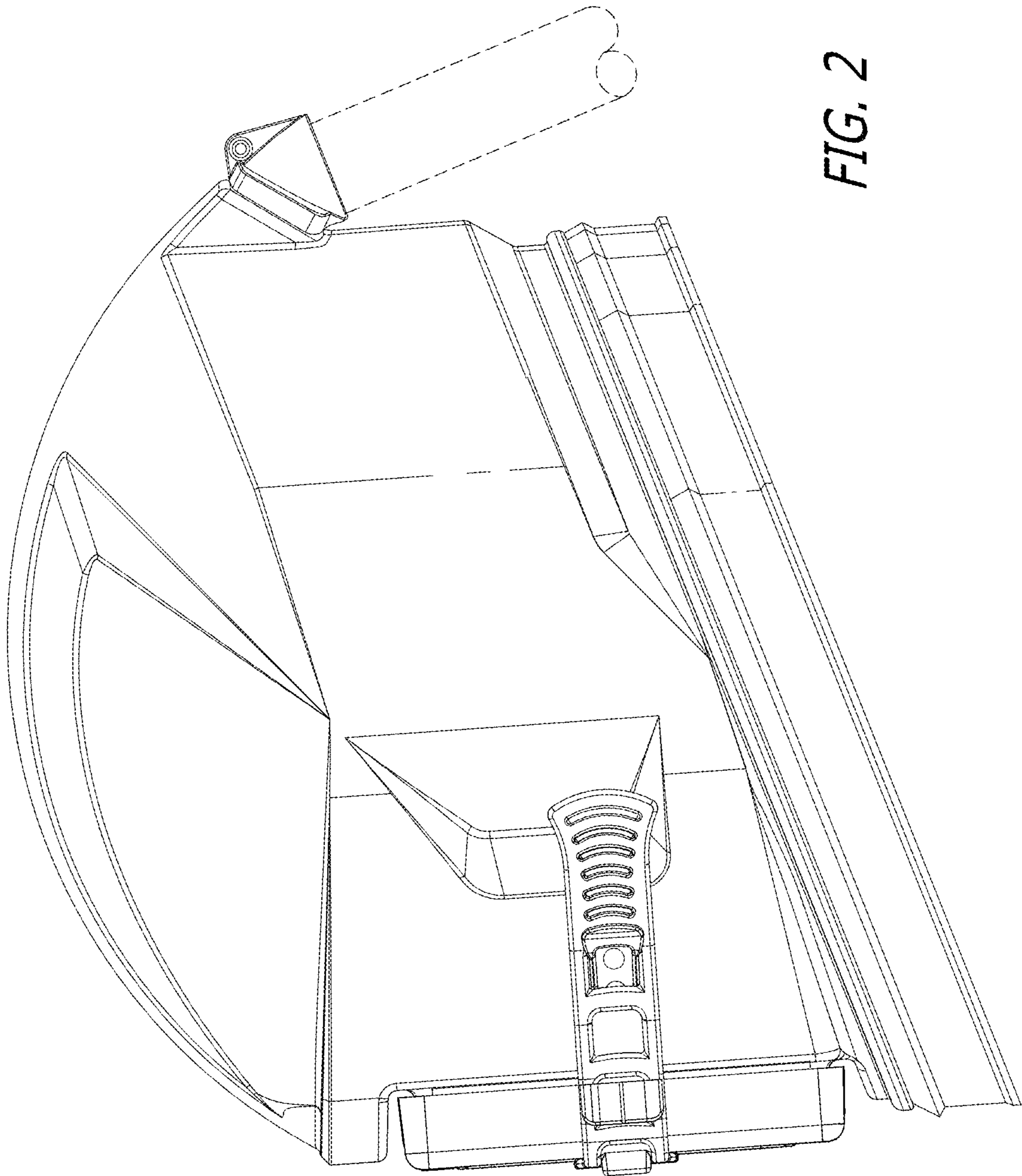


FIG. 2

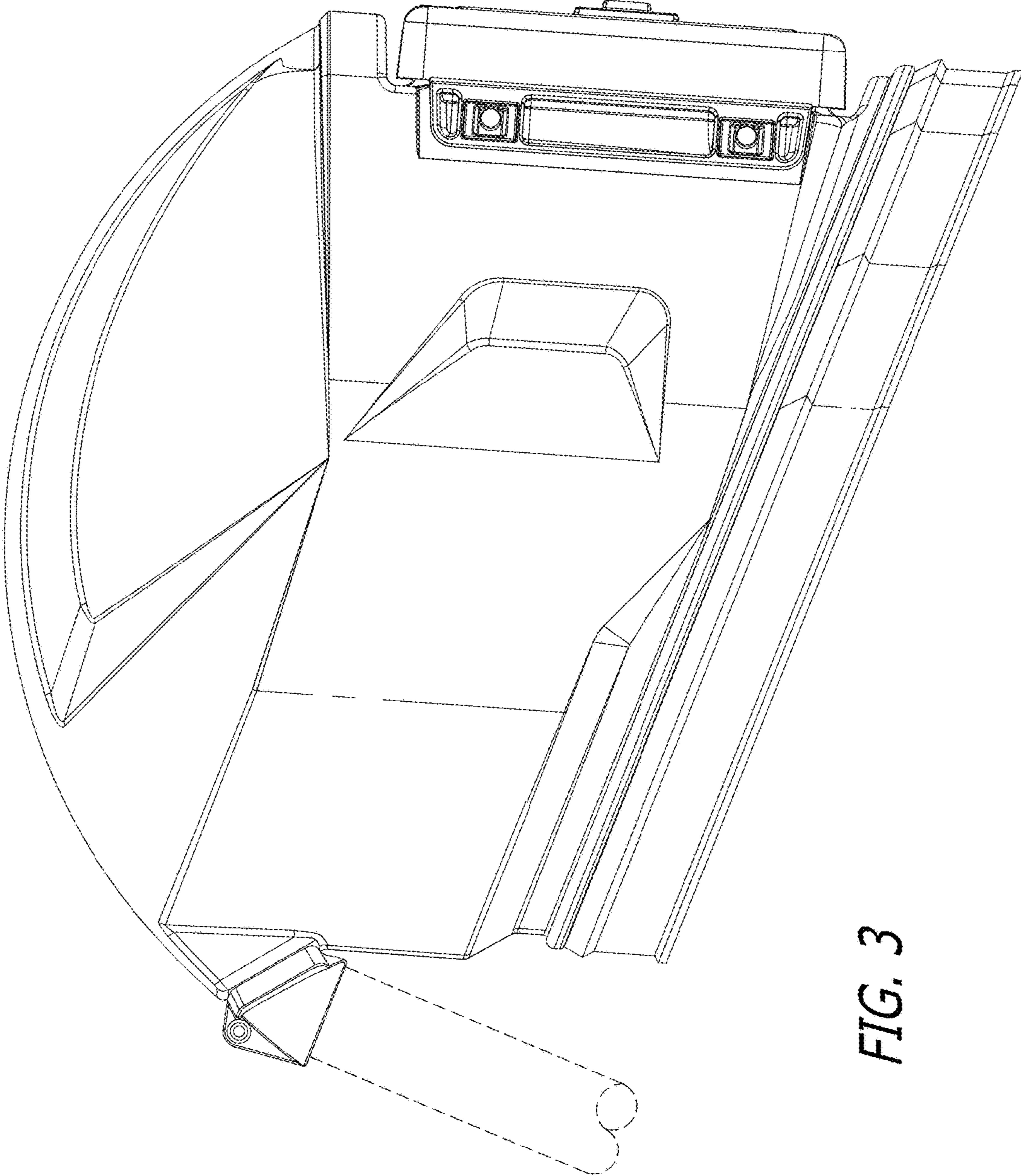


FIG. 3

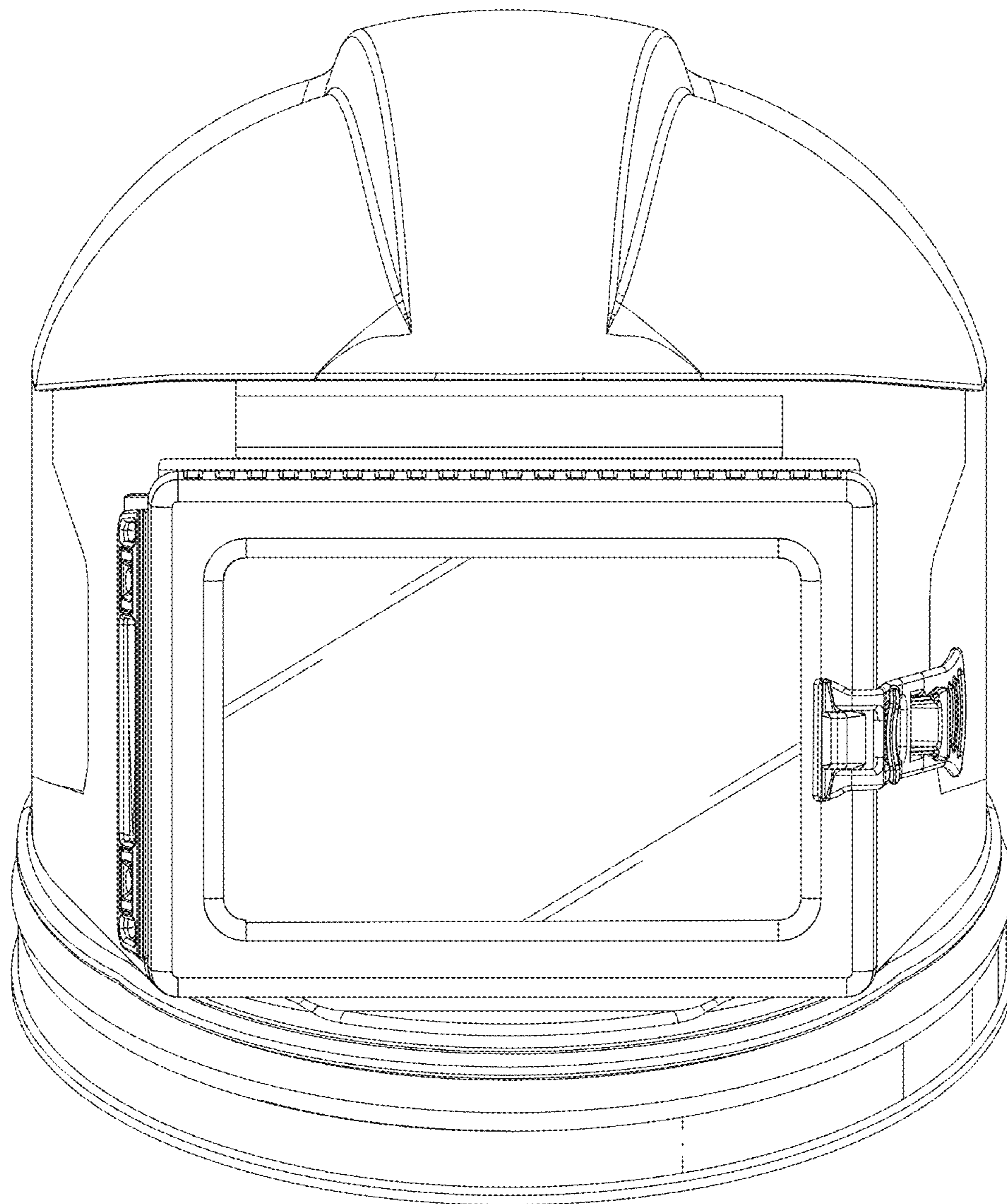


FIG. 4

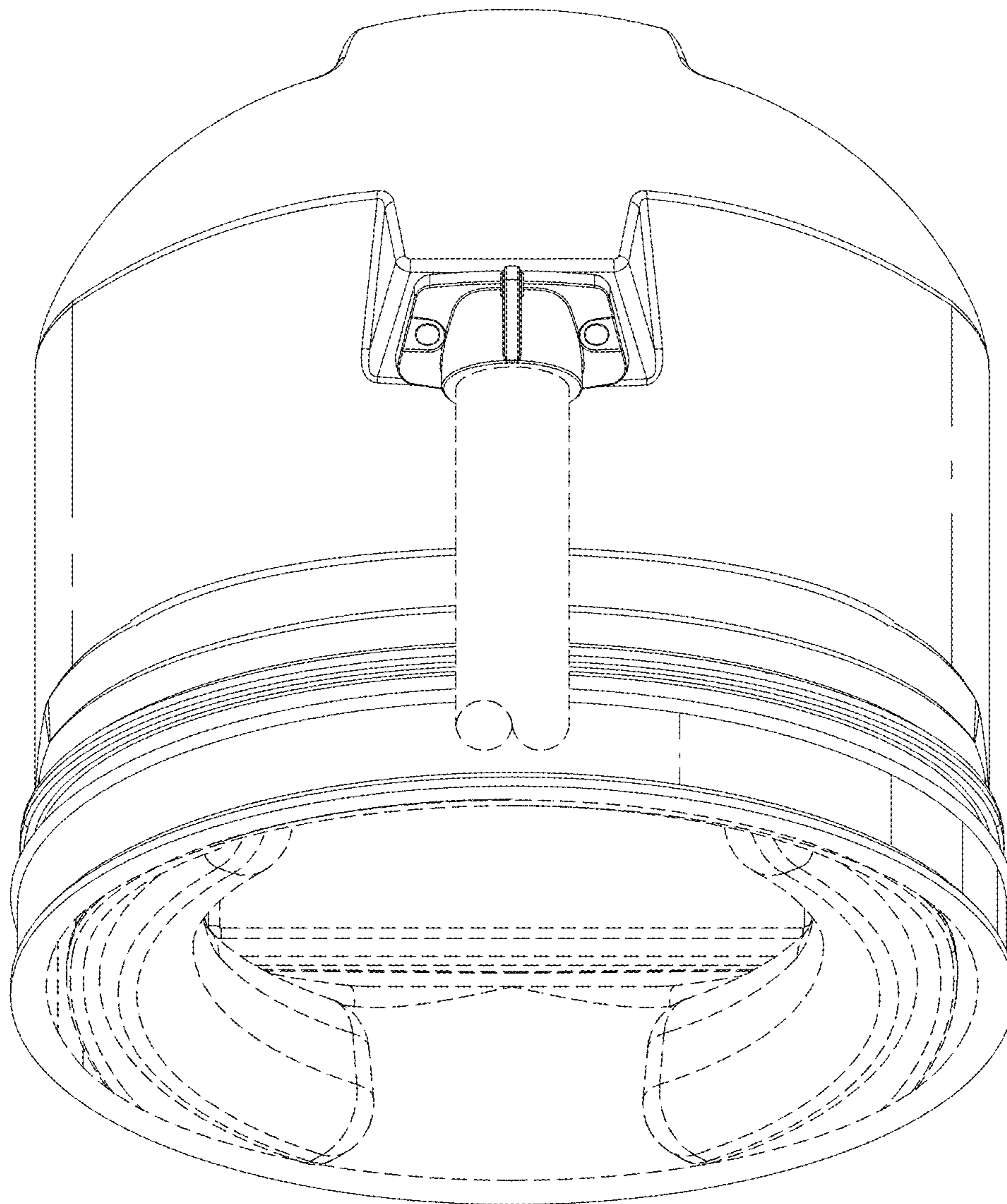


FIG. 5

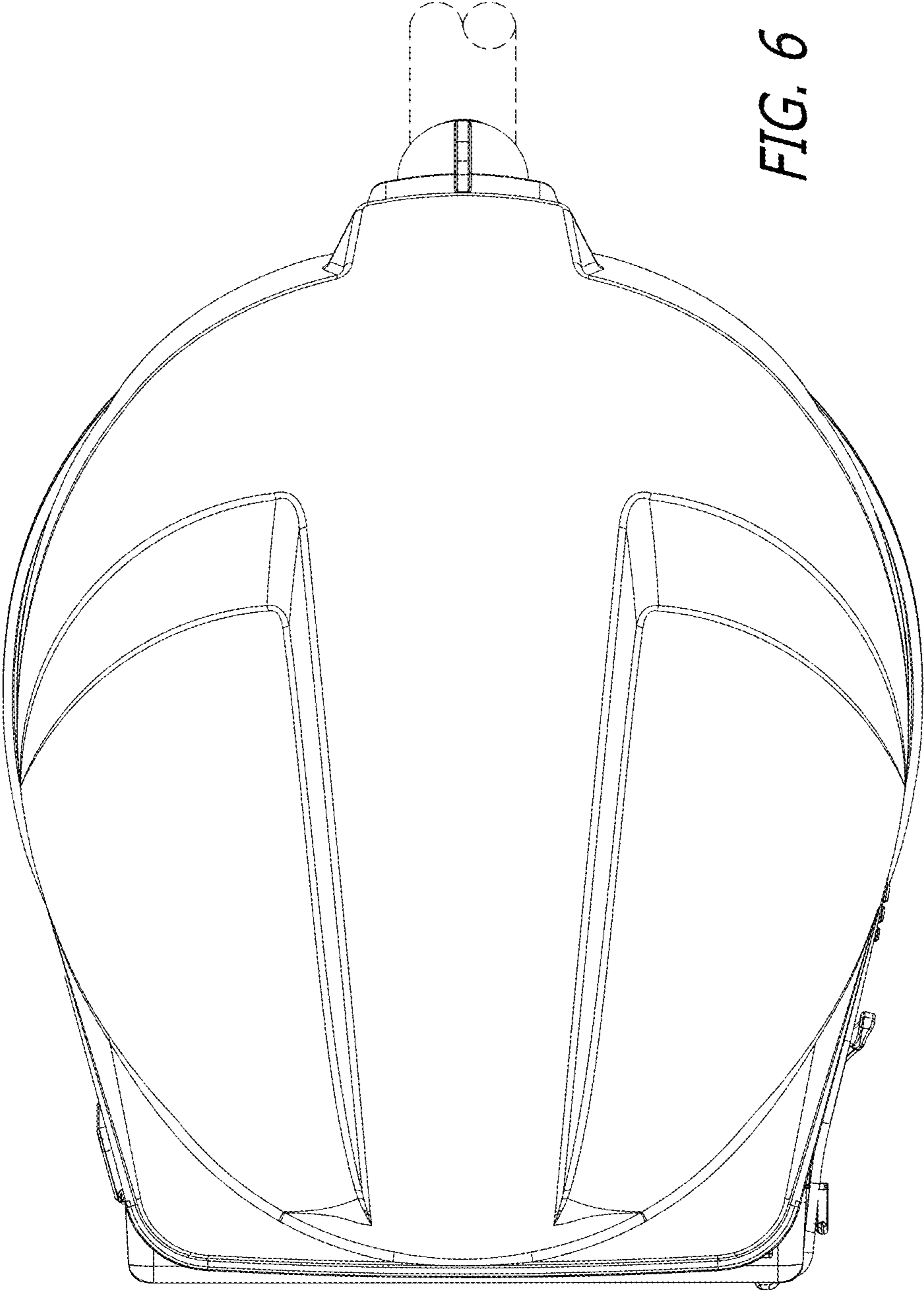


FIG. 6

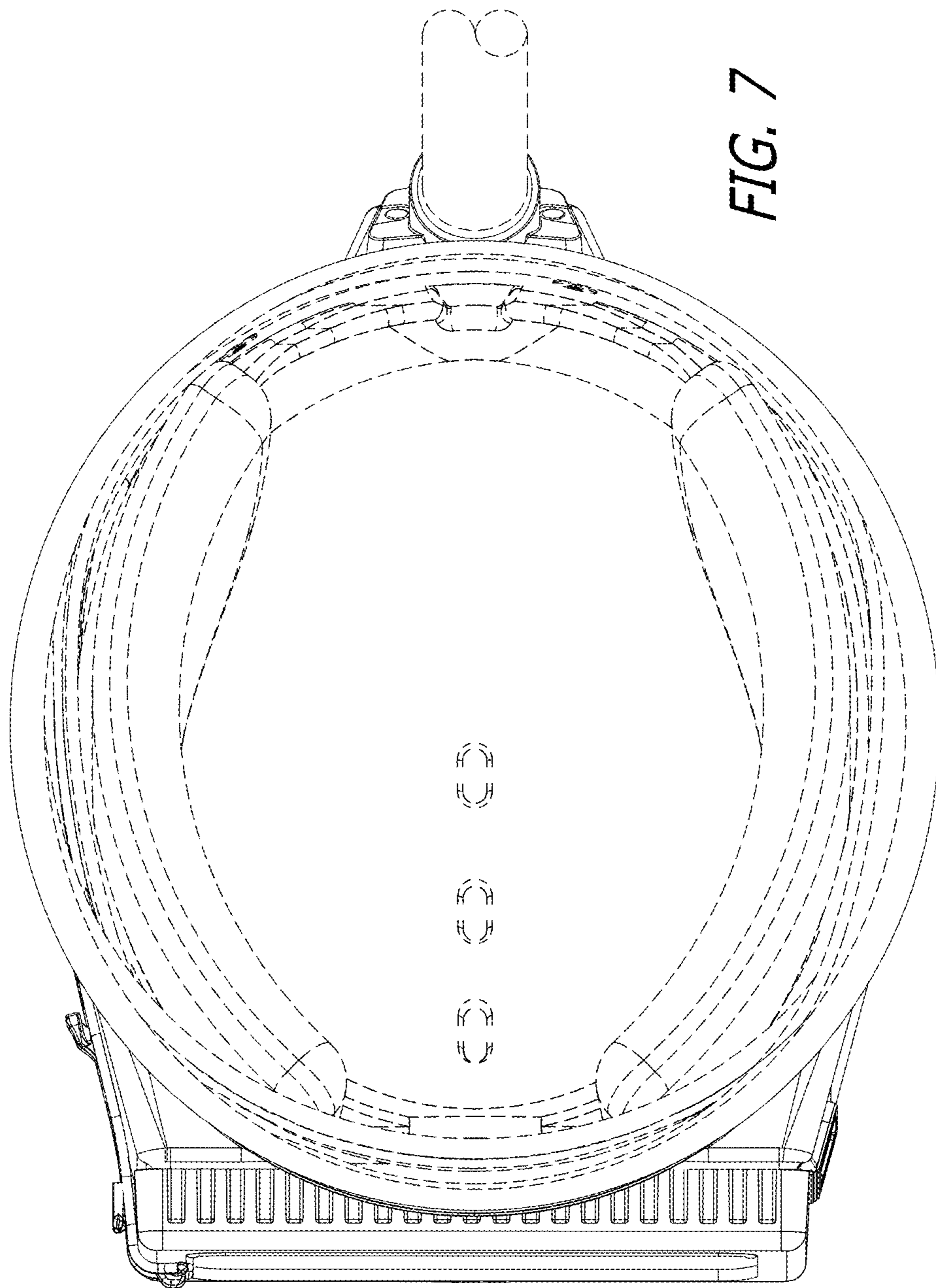


FIG. 7