



US00D795415S

(12) **United States Design Patent** (10) **Patent No.:** **US D795,415 S**  
**Blomberg et al.** (45) **Date of Patent:** **\*\* Aug. 22, 2017**

(54) **RESPIRATOR CARTRIDGE HAVING AN ENGAGEMENT LATCH**

D286,213 S 10/1986 Maryyanek  
4,921,512 A 5/1990 Maryyanek  
4,932,399 A 6/1990 Cappa  
5,062,421 A 11/1991 Burns

(71) Applicant: **3M INNOVATIVE PROPERTIES COMPANY**, St. Paul, MN (US)

(Continued)

(72) Inventors: **David M. Blomberg**, Lino Lakes, MN (US); **Gary E. Dwyer**, Mallorytown (CA)

FOREIGN PATENT DOCUMENTS

AU 359122 12/2014  
AU 359123 12/2014

(Continued)

(73) Assignee: **3M Innovative Properties Company**, St. Paul, MN (US)

OTHER PUBLICATIONS

(\*\*) Term: **14 Years**

Koken Particulate Respirators webpage, <http://www.koken-ltd.co.jp/english/particulaterespirators.htm>, obtained from internet on Jun. 3, 2013.

(21) Appl. No.: **29/518,792**

(Continued)

(22) Filed: **Feb. 27, 2015**

(51) **LOC (10) Cl.** ..... **29-02**

*Primary Examiner* — Barbara Fox  
*Assistant Examiner* — Lilyana Bekic

(52) **U.S. Cl.**  
USPC ..... **D24/110.1**

(58) **Field of Classification Search**  
USPC ..... D24/110, 110.1–110.5, 127, 162;  
D29/108; D8/331, 336, 338–339, 341,  
D8/343–344, 366  
CPC ..... A62B 23/02; A62B 7/10; A62B 18/025;  
A62B 19/00; A62B 18/08; A62B 18/02;  
A62B 23/00; A62B 18/00; A62B 18/084;  
A41D 13/11; A61M 16/105; A61M  
16/047

(57) **CLAIM**

The ornamental design for a respirator cartridge having an engagement latch, as shown and described.

See application file for complete search history.

**DESCRIPTION**

FIG. 1 is a perspective view showing the new design for a respirator cartridge having an engagement latch; FIG. 2 is a top view thereof, the bottom being a mirror image thereof; FIG. 3 is a front view thereof; FIG. 4 is a right side view thereof; FIG. 5 is a rear view thereof; and, FIG. 6 is a left side view thereof.

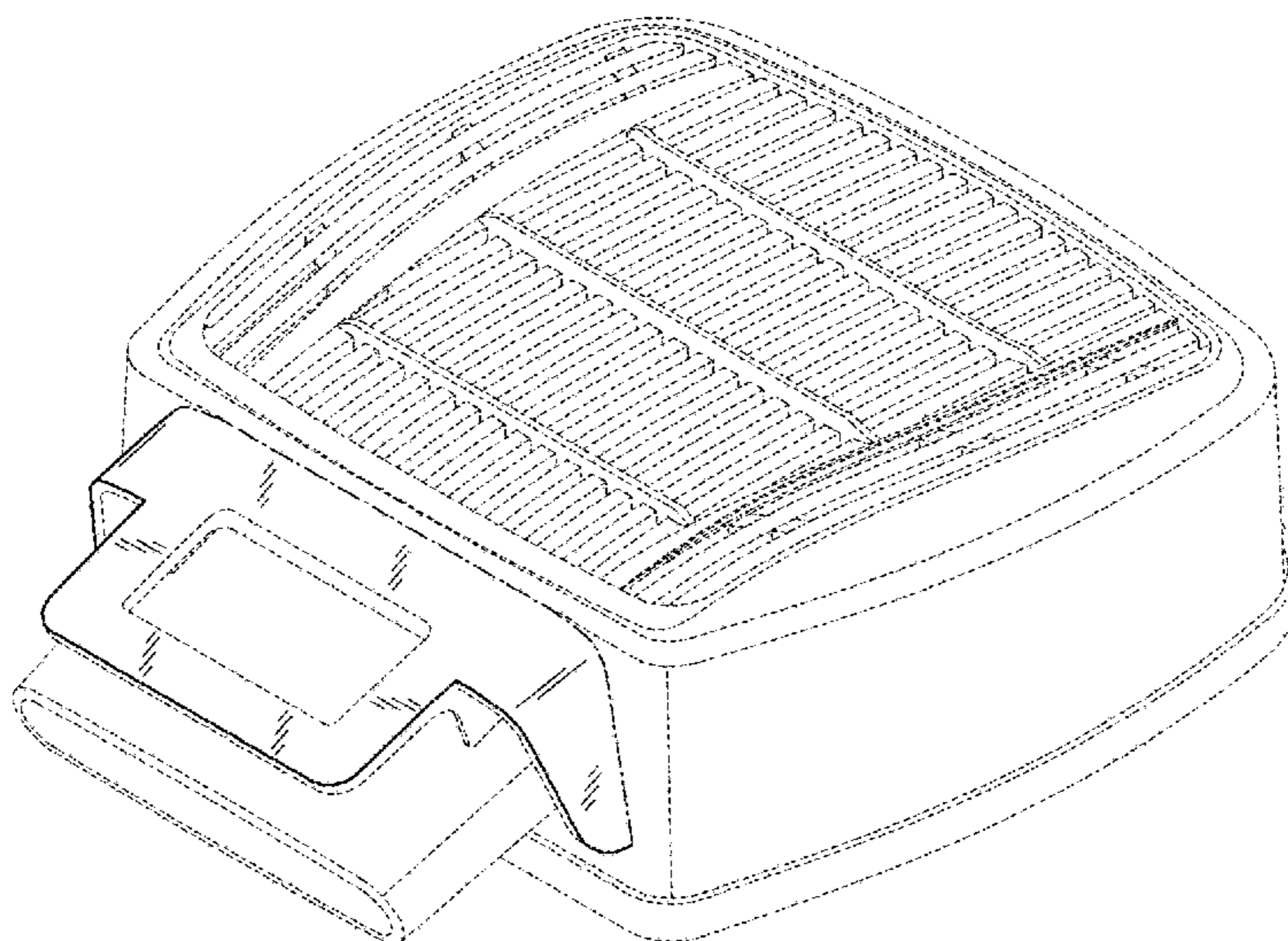
The dash-dash broken lines in the drawings illustrate portions of the respirator cartridge having an engagement latch that form no part of the claimed design. The dash-dot-dash broken lines represent the boundaries of the claimed design and form no part thereof.

(56) **References Cited**

U.S. PATENT DOCUMENTS

2,055,853 A 9/1936 Schwartz  
2,062,834 A 12/1936 Schwartz  
2,235,624 A 3/1941 Schwartz  
2,787,333 A 4/1957 Boone  
3,081,478 A \* 3/1963 Smithson ..... A47L 5/365  
15/327.2  
4,562,837 A 1/1986 Schlobohm

**1 Claim, 3 Drawing Sheets**



(56)

References Cited

FOREIGN PATENT DOCUMENTS

| U.S. PATENT DOCUMENTS |      |                                      | FOREIGN PATENT DOCUMENTS |                |         |
|-----------------------|------|--------------------------------------|--------------------------|----------------|---------|
|                       |      |                                      | AU                       | 359124         | 12/2014 |
|                       |      |                                      | AU                       | 359127         | 12/2014 |
| 5,086,768             | A    | 2/1992 Niemeyer                      | AU                       | 359128         | 12/2014 |
| 5,148,803             | A    | 9/1992 Schlobohm                     | AU                       | 359129         | 12/2014 |
| D339,658              | S    | 9/1993 Lahteenmaki                   | AU                       | 360264         | 2/2015  |
| RE35,062              | E    | 10/1995 Brostrom                     | CA                       | 82141          | 10/1997 |
| 5,515,846             | A    | 5/1996 Drews                         | CA                       | 106801         | 12/2005 |
| 5,579,761             | A    | 12/1996 Yuschak                      | CN                       | 3342471        | 12/2003 |
| 5,611,925             | A    | 3/1997 Yasue                         | CN                       | 3457902        | 6/2005  |
| 5,647,356             | A    | 7/1997 Osendorf                      | CN                       | 3674586        | 7/2007  |
| 5,666,949             | A *  | 9/1997 Debe ..... A62B 18/088        | CN                       | 300757753      | 3/2008  |
|                       |      | 116/206                              | CN                       | 300801845      | 7/2008  |
| 5,669,375             | A    | 9/1997 Dahrendorf                    | CN                       | 301345091      | 9/2010  |
| 6,216,693             | B1   | 4/2001 Rekow                         | CN                       | 301787238      | 1/2012  |
| 6,298,849             | B1   | 10/2001 Scholey                      | CN                       | 301841897      | 2/2012  |
| 6,550,479             | B1   | 4/2003 Duxbury                       | CN                       | 301863214      | 3/2012  |
| 6,575,165             | B1   | 6/2003 Cook                          | CN                       | 302193139      | 11/2012 |
| D488,700              | S *  | 4/2004 Montague ..... D8/105         | CN                       | 302193145      | 11/2012 |
| 6,761,169             | B2   | 7/2004 Eswarappa                     | CN                       | 302386273      | 4/2013  |
| 6,793,702             | B2   | 9/2004 Eswarappa                     | CN                       | 302571626      | 9/2013  |
| D518,571              | S    | 4/2006 Martin                        | CN                       | 302675143      | 12/2013 |
| 7,419,526             | B2   | 9/2008 Greer                         | CN                       | 302754689      | 3/2014  |
| 8,089,367             | B2 * | 1/2012 Locke ..... G01N 29/036       | DE                       | M9107635-0001  | 6/1992  |
|                       |      | 340/540                              | EM                       | 00096961-0001  | 2/2004  |
| D658,036              | S *  | 4/2012 Fong ..... D8/330             | EM                       | 001233373-0002 | 10/2010 |
| D677,780              | S    | 3/2013 Choi                          | EM                       | 001233373-0003 | 10/2010 |
| D677,781              | S    | 3/2013 Choi                          | EM                       | 001871401-0001 | 8/2011  |
| D678,508              | S    | 3/2013 Choi                          | EM                       | 001871401-0003 | 8/2011  |
| D683,446              | S    | 5/2013 Eves                          | EM                       | 001871401-0004 | 8/2011  |
| D696,396              | S    | 12/2013 Eves                         | EM                       | 001871401-0005 | 8/2011  |
| D747,470              | S *  | 1/2016 Blomberg ..... D24/127        | EM                       | 001352645-0001 | 12/2012 |
| D757,247              | S *  | 5/2016 Dwyer ..... D24/110.1         | EM                       | 001352645-0002 | 12/2012 |
| D757,928              | S *  | 5/2016 Blomberg ..... D24/110.1      | EM                       | 001355259-0001 | 1/2013  |
| 9,393,448             | B2 * | 7/2016 Dwyer ..... A62B 18/02        | EM                       | 001355259-0002 | 1/2013  |
| D762,845              | S *  | 8/2016 Dwyer ..... D24/110.1         | EM                       | 001378673-0001 | 8/2013  |
| D763,437              | S *  | 8/2016 Dwyer ..... D24/110.1         | EM                       | 001401335-0001 | 1/2014  |
| 9,440,775             | B2 * | 9/2016 Dwyer ..... A62B 18/006       | EM                       | 001401335-0002 | 1/2014  |
| 9,498,658             | B2 * | 11/2016 Kihlberg ..... A62B 18/08    | EM                       | 001401335-0003 | 1/2014  |
| 9,510,626             | B2 * | 12/2016 Blomberg ..... A62B 9/04     | EM                       | 001401335-0004 | 1/2014  |
| 9,517,366             | B2 * | 12/2016 Kihlberg ..... A62B 18/08    | EM                       | 001401335-0005 | 1/2014  |
| D775,509              | S *  | 1/2017 Marsden ..... D8/330          | EM                       | 001401335-0006 | 1/2014  |
| 2001/0013347          | A1   | 8/2001 Rekow                         | EM                       | 001405609-0001 | 3/2014  |
| 2002/0195109          | A1   | 12/2002 Mittelstadt                  | EM                       | 001405609-0002 | 3/2014  |
| 2003/0217752          | A1   | 11/2003 Muller                       | EM                       | 001405609-0003 | 3/2014  |
| 2004/0003810          | A1   | 1/2004 Templeton                     | EM                       | 001405609-0004 | 3/2014  |
| 2005/0126572          | A1   | 6/2005 Gosweiler                     | EM                       | 001411052-0001 | 8/2014  |
| 2006/0090754          | A1 * | 5/2006 Mittelstadt ..... A62B 9/04   | EM                       | 001411052-0002 | 8/2014  |
|                       |      | 128/201.17                           | EM                       | 001411052-0003 | 8/2014  |
| 2008/0202506          | A1 * | 8/2008 Mahoney ..... A61M 11/02      | EM                       | 001411052-0004 | 8/2014  |
|                       |      | 128/200.18                           | EM                       | 001411052-0005 | 8/2014  |
| 2008/0283049          | A1 * | 11/2008 Mahoney ..... A61M 11/02     | EM                       | 001411052-0006 | 8/2014  |
|                       |      | 128/200.14                           | EM                       | 001411052-0007 | 8/2014  |
| 2009/0217926          | A1 * | 9/2009 Hine ..... A62B 18/02         | EM                       | 001411052-0008 | 8/2014  |
|                       |      | 128/201.25                           | EM                       | 001411052-0009 | 8/2014  |
| 2012/0000465          | A1   | 1/2012 Cavaliere                     | EM                       | 001411052-0010 | 8/2014  |
| 2012/0024289          | A1   | 2/2012 Johnstone                     | EM                       | 001411052-0011 | 8/2014  |
| 2012/0174922          | A1   | 7/2012 Virr                          | EM                       | 001411052-0012 | 8/2014  |
| 2013/0125896          | A1 * | 5/2013 Dwyer ..... A62B 18/02        | FR                       | 916655-001     | 12/1991 |
|                       |      | 128/206.17                           | FR                       | 972590-001     | 9/1997  |
| 2014/0216447          | A1 * | 8/2014 Kihlberg ..... A62B 18/08     | GB                       | 2078022        | 2/1999  |
|                       |      | 128/201.19                           | JP                       | D1253605       | 10/2005 |
| 2014/0216448          | A1 * | 8/2014 Kihlberg ..... A62B 18/08     | JP                       | D1334600       | 6/2008  |
|                       |      | 128/201.19                           | JP                       | D1423131       | 9/2011  |
| 2014/0216473          | A1 * | 8/2014 Dwyer ..... A62B 18/10        | JP                       | D1424448       | 10/2011 |
|                       |      | 128/863                              | JP                       | D1433068       | 2/2012  |
| 2014/0216474          | A1 * | 8/2014 Mittelstadt ..... A62B 27/00  | JP                       | D1489843       | 2/2014  |
|                       |      | 128/863                              | KR                       | 300365183      | 10/2004 |
| 2014/0216475          | A1 * | 8/2014 Blomberg ..... A62B 9/04      | KR                       | 300387985      | 7/2005  |
|                       |      | 128/863                              | KR                       | 300402015      | 12/2005 |
| 2015/0136141          | A1 * | 5/2015 Mittelstadt ..... A62B 18/025 | KR                       | 10-0773460     | 11/2007 |
|                       |      | 128/206.15                           | KR                       | 300484303      | 3/2008  |
| 2015/0136142          | A1 * | 5/2015 Blomberg ..... A62B 7/10      | KR                       | 300497704      | 7/2008  |
|                       |      | 128/206.17                           | KR                       | 300505691      | 9/2008  |
| 2015/0336718          | A1 * | 11/2015 Dwyer ..... B65D 43/162      | KR                       | 300514863      | 12/2008 |
|                       |      | 128/205.12                           | KR                       | 300516185      | 1/2009  |
|                       |      |                                      | KR                       | 300526158      | 4/2009  |
|                       |      |                                      | KR                       | 300542031      | 10/2009 |

(56)

**References Cited**

FOREIGN PATENT DOCUMENTS

|    |                |         |
|----|----------------|---------|
| KR | 300563142      | 6/2010  |
| KR | 300649412      | 6/2012  |
| KR | 300649413      | 6/2012  |
| KR | 300662871      | 10/2012 |
| KR | 300683043      | 3/2013  |
| KR | 300683052      | 3/2013  |
| KR | 300683069      | 3/2013  |
| KR | 300684091      | 3/2013  |
| KR | 300726258      | 1/2014  |
| KR | 300726303      | 1/2014  |
| RU | 63184          | 6/2007  |
| WO | WO 03/090873   | 11/2003 |
| WO | WO 2008/082415 | 7/2008  |

OTHER PUBLICATIONS

U.S. Appl. No. 29/491,529, filed May 22, 2014, entitled *Respirator Cartridge Having a Slot*.

U.S. Appl. No. 29/491,530, filed May 22, 2014, entitled *Respirator Cartridge Having a Hole Pattern*.

U.S. Appl. No. 29/491,531, filed May 22, 2014, entitled *Respirator Cartridge Body*.

U.S. Appl. No. 29/491,532, filed May 22, 2014, entitled *Respirator Cartridge*.

U.S. Appl. No. 29/491,533, filed May 22, 2014, entitled *Respirator Cartridge Having an Engagement Latch*.

U.S. Appl. No. 29/491,563, filed May 22, 2014, entitled *Respirator Filter Retainer Having Openings*.

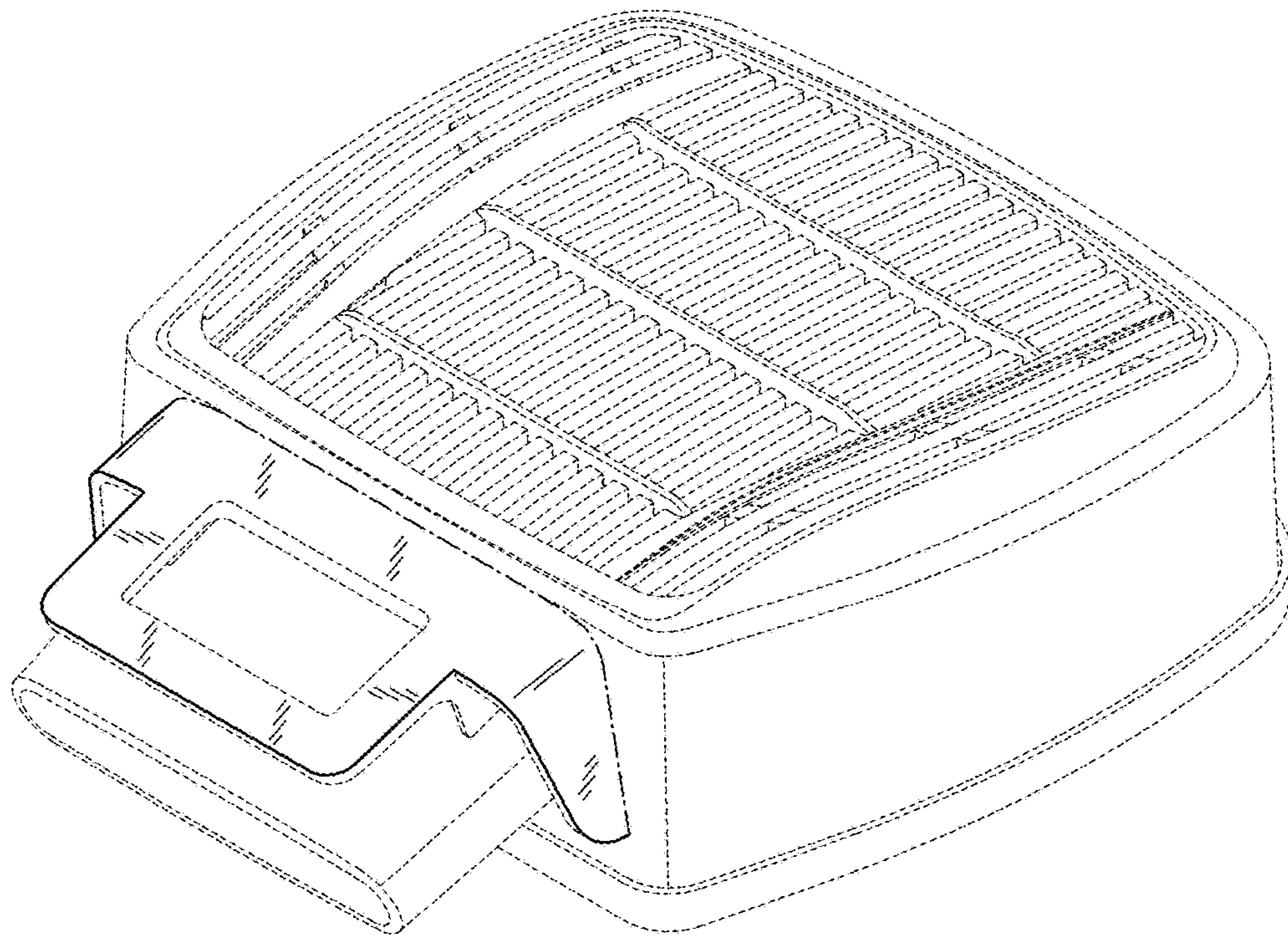
U.S. Appl. No. 29/491,566, filed May 22, 2014, entitled *Respirator Filter Retainer*.

U.S. Appl. No. 29/491,568, filed May 22, 2014, entitled *Respirator Filter Retainer Having a Slot*.

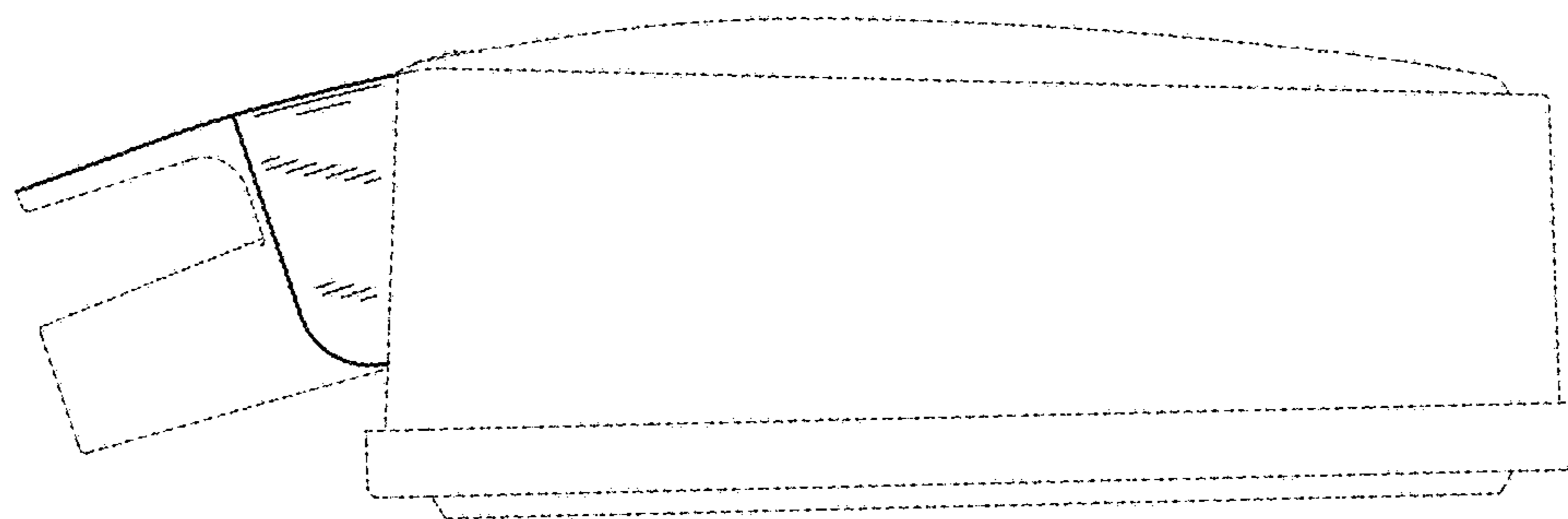
U.S. Appl. No. 29/491,575, filed May 22, 2014, entitled *Respirator Filter Cover*.

U.S. Appl. No. 29/472,778, filed Nov. 15, 2013, entitled *Filter Cartridge*.

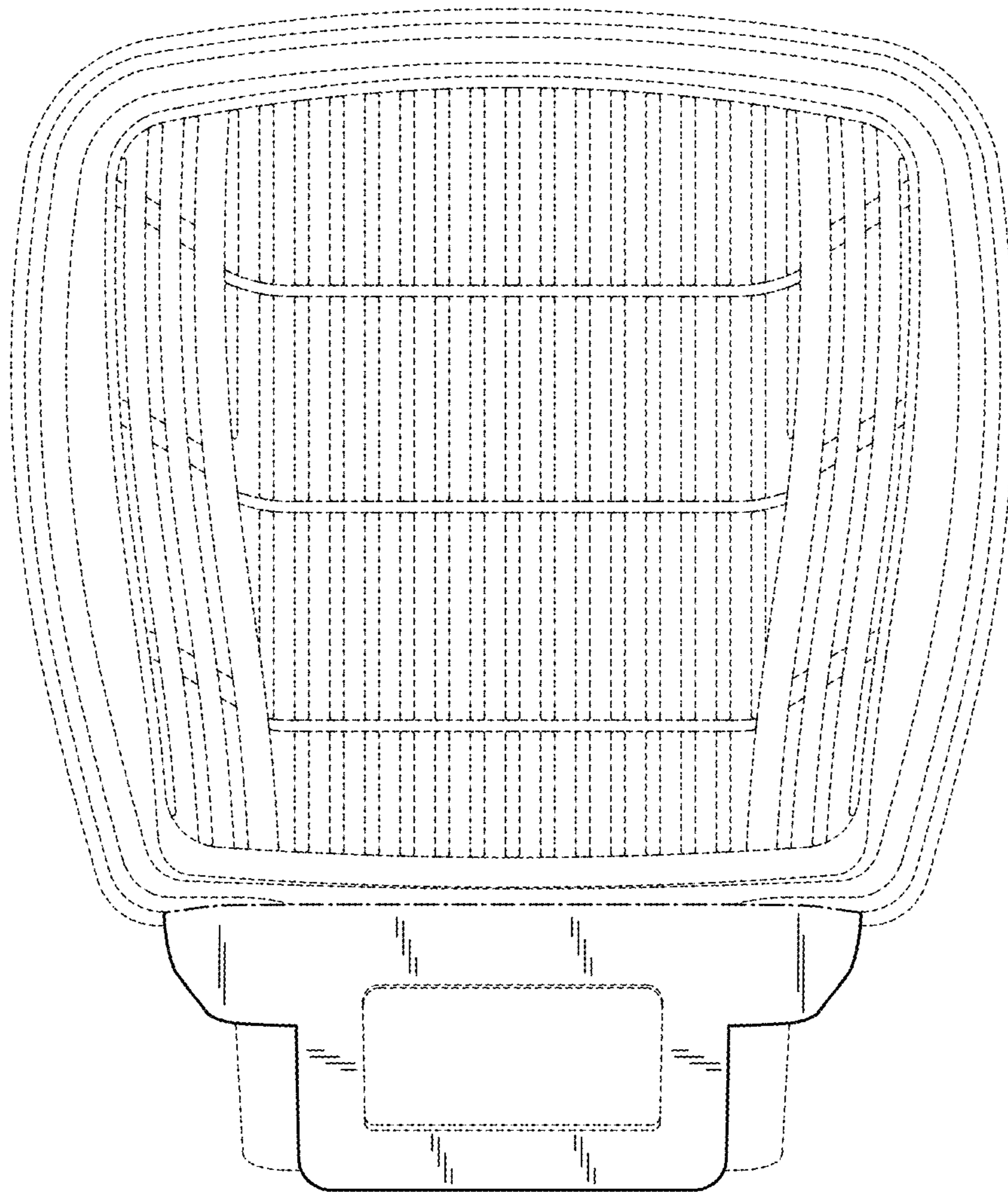
\* cited by examiner



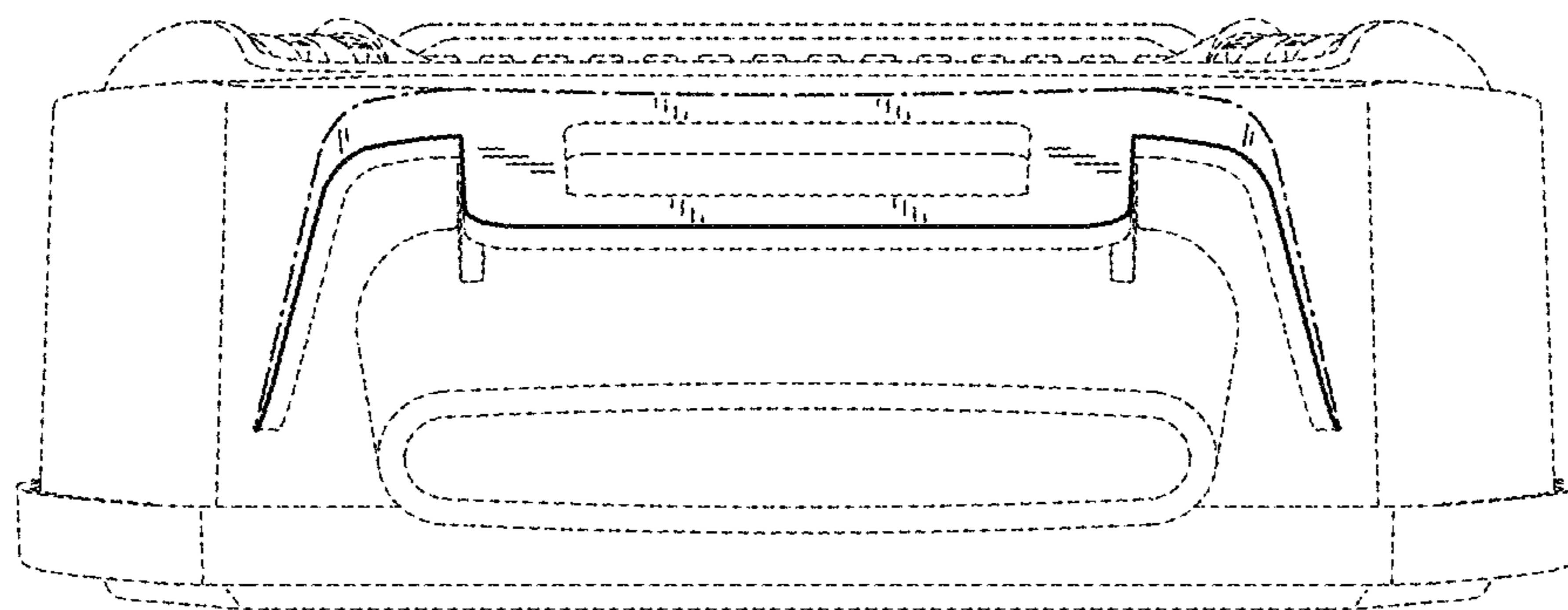
*FIG. 1*



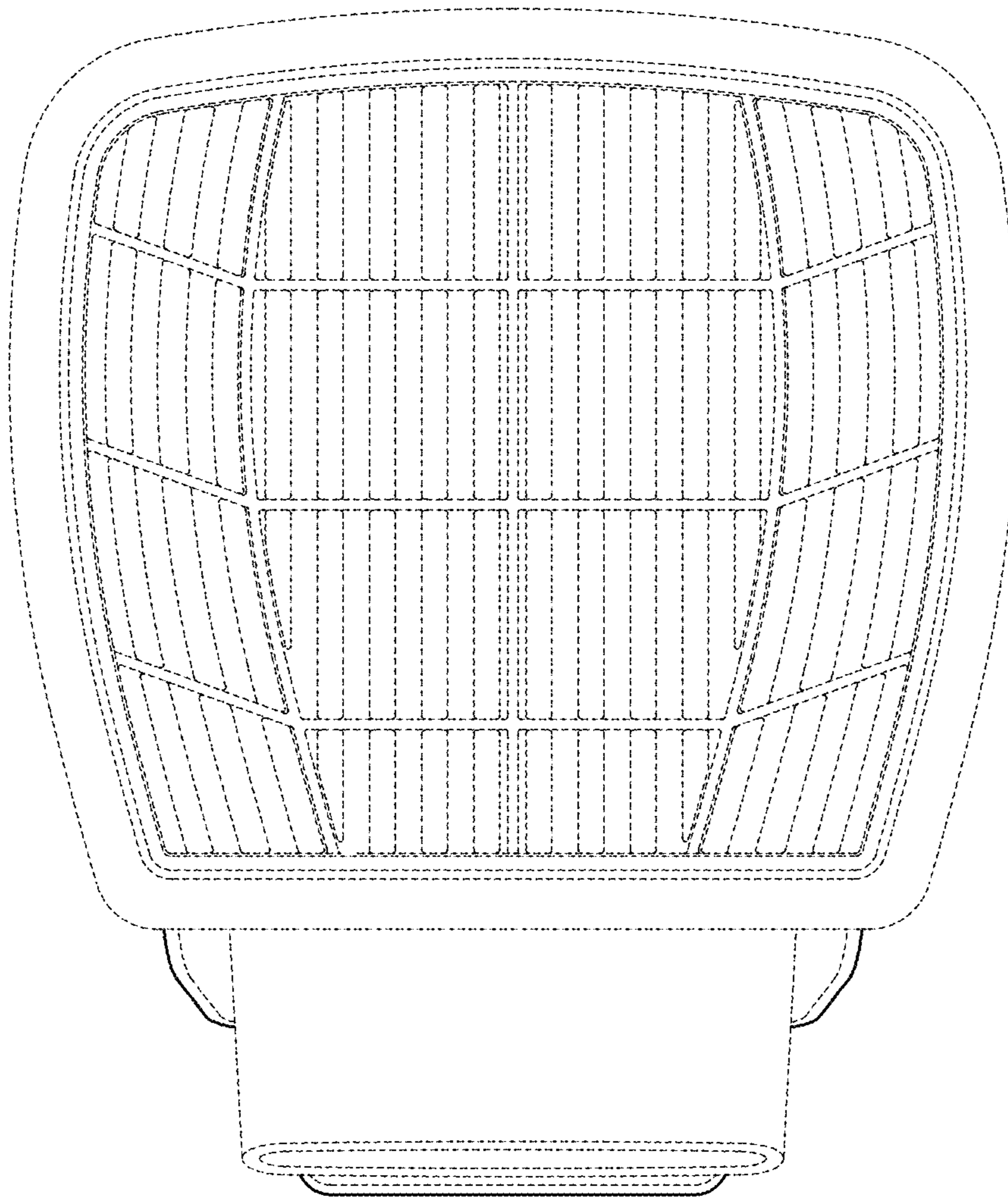
*FIG. 2*



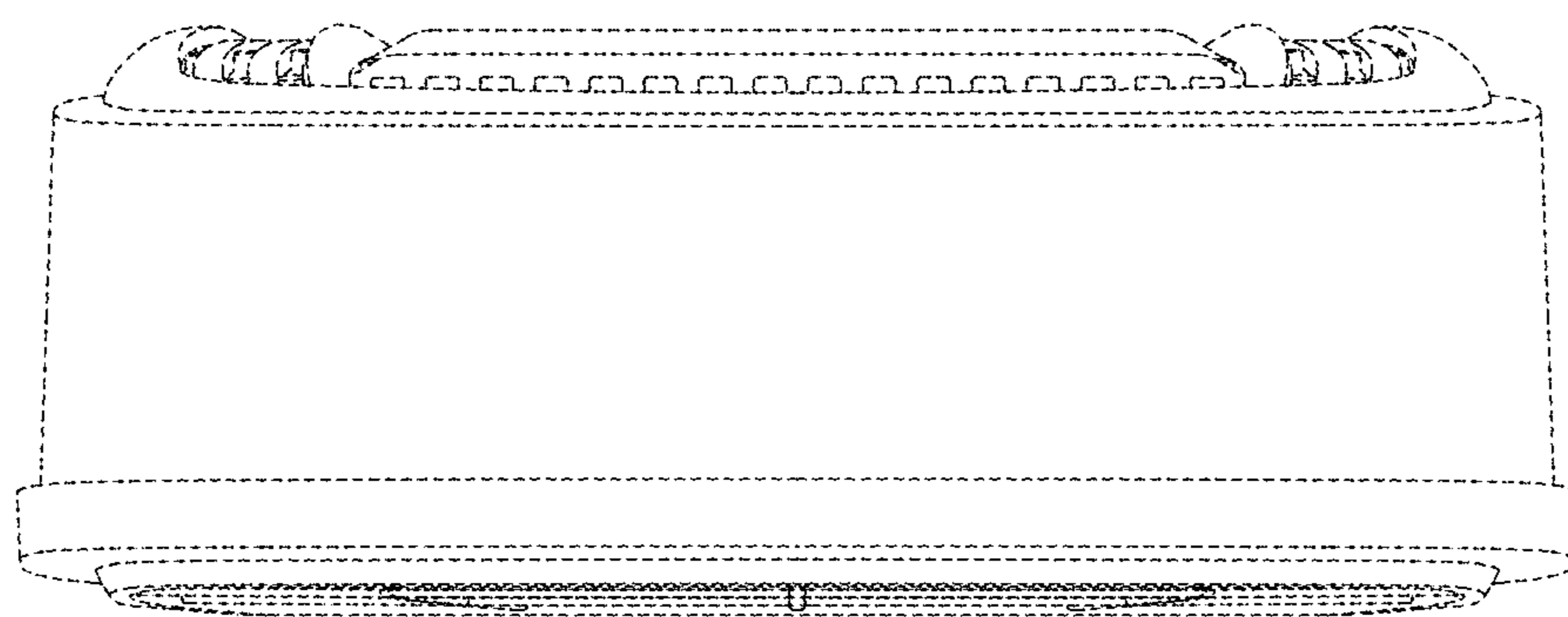
*FIG. 3*



*FIG. 4*



*FIG. 5*



*FIG. 6*