



US00D795413S

(12) **United States Design Patent** (10) **Patent No.:** **US D795,413 S**
Wang (45) **Date of Patent:** **** Aug. 22, 2017**

- (54) **CEILING FAN**
- (71) Applicant: **YOUNGO LIMITED**, Hong Kong (CN)
- (72) Inventor: **Cliff Wang**, Taichung (TW)
- (73) Assignee: **YOUNGO LIMITED**, Hong Kong (CN)
- (**) Term: **15 Years**
- (21) Appl. No.: **29/563,755**
- (22) Filed: **May 6, 2016**
- (51) **LOC (10) Cl.** **23-04**
- (52) **U.S. Cl.**
USPC **D23/377**
- (58) **Field of Classification Search**
USPC D23/355, 370-387, 411-414; D26/59; D12/214
CPC F04D 25/088; F21V 33/0096
See application file for complete search history.

(56) **References Cited**

U.S. PATENT DOCUMENTS

4,671,739 A *	6/1987	Read	F04D 29/325
				416/134 R
D408,518 S *	4/1999	Liu	D23/377
D409,742 S *	5/1999	Yang	D23/377
D453,216 S *	1/2002	Gajewski	D23/377
D478,161 S *	8/2003	Collmar	D23/377
D510,763 S *	10/2005	Da Costa	D23/377
D580,546 S *	11/2008	Smyth	D23/411
D598,997 S *	8/2009	Klausing	D23/377

D692,120 S *	10/2013	Noble	D23/385
D715,418 S *	10/2014	Schulzman	D23/377
D758,562 S *	6/2016	Gajewski	D23/411
D771,230 S *	11/2016	Jones	D23/377
D776,251 S *	1/2017	Pickett	D23/413
D779,648 S *	2/2017	Badarello	D23/377
D782,644 S *	3/2017	Wang	D23/377
2010/0135810 A1 *	6/2010	Gorali	F04D 29/34
				416/204 R
2013/0189109 A1 *	7/2013	Noble	F01D 5/02
				416/219 R

* cited by examiner

Primary Examiner — Cathron Brooks

Assistant Examiner — Sharon S Oum

(74) *Attorney, Agent, or Firm* — Pai Patent & Trademark Law Firm; Chao-Chang David Pai

(57) **CLAIM**

The ornamental design for a ceiling fan, as shown and described.

DESCRIPTION

FIG. 1 is a front top perspective view of a ceiling fan showing my new design;

FIG. 2 is a front elevational view thereof;

FIG. 3 is a rear elevational view thereof;

FIG. 4 is a left side elevational view thereof;

FIG. 5 is a right side elevational view thereof;

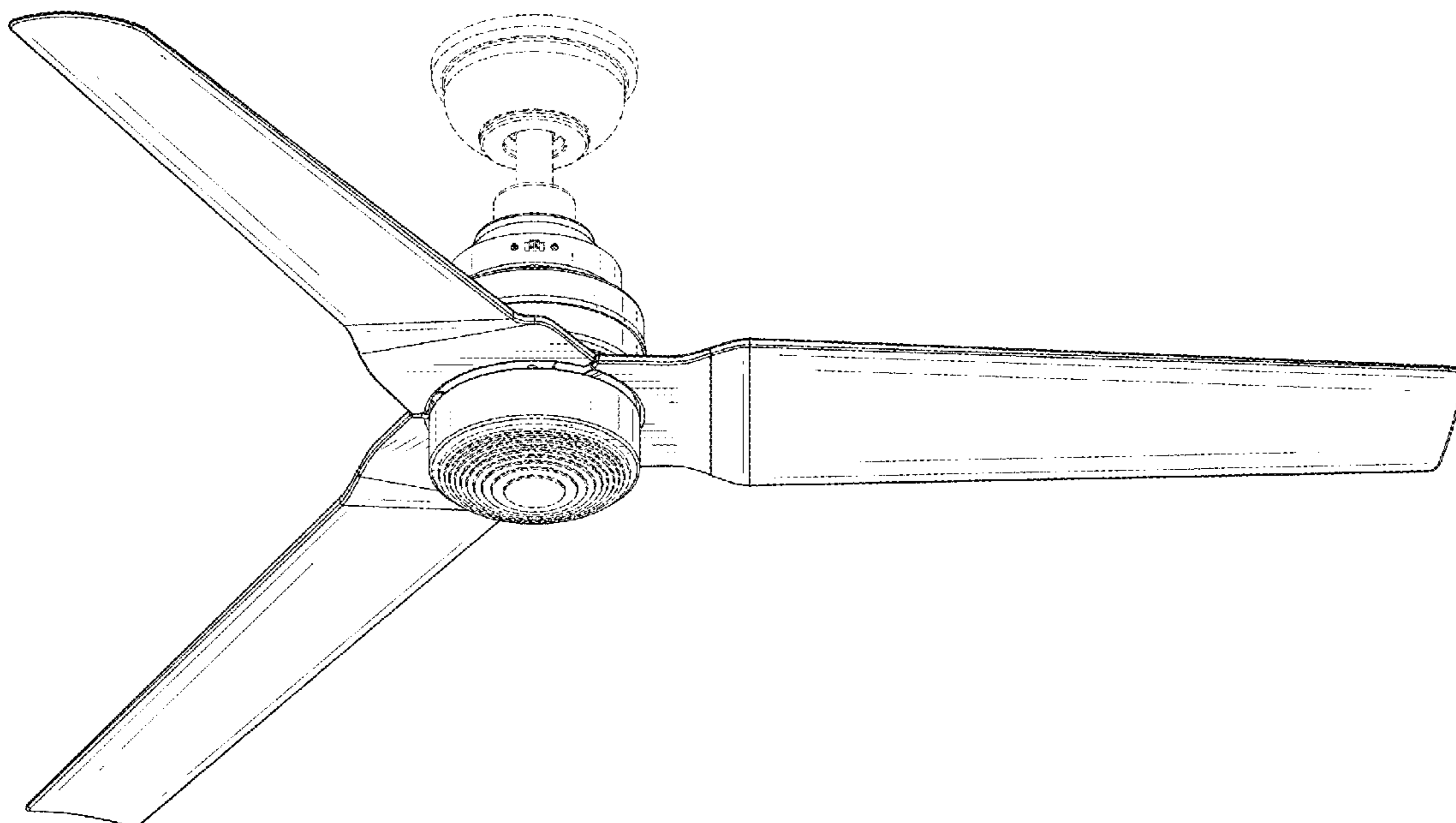
FIG. 6 is a top plan view thereof;

FIG. 7 is a bottom plan view thereof; and,

FIG. 8 is a front bottom perspective view thereof.

The broken lines are for the purpose of illustrating environmental structure and form no part of the claimed design.

1 Claim, 6 Drawing Sheets



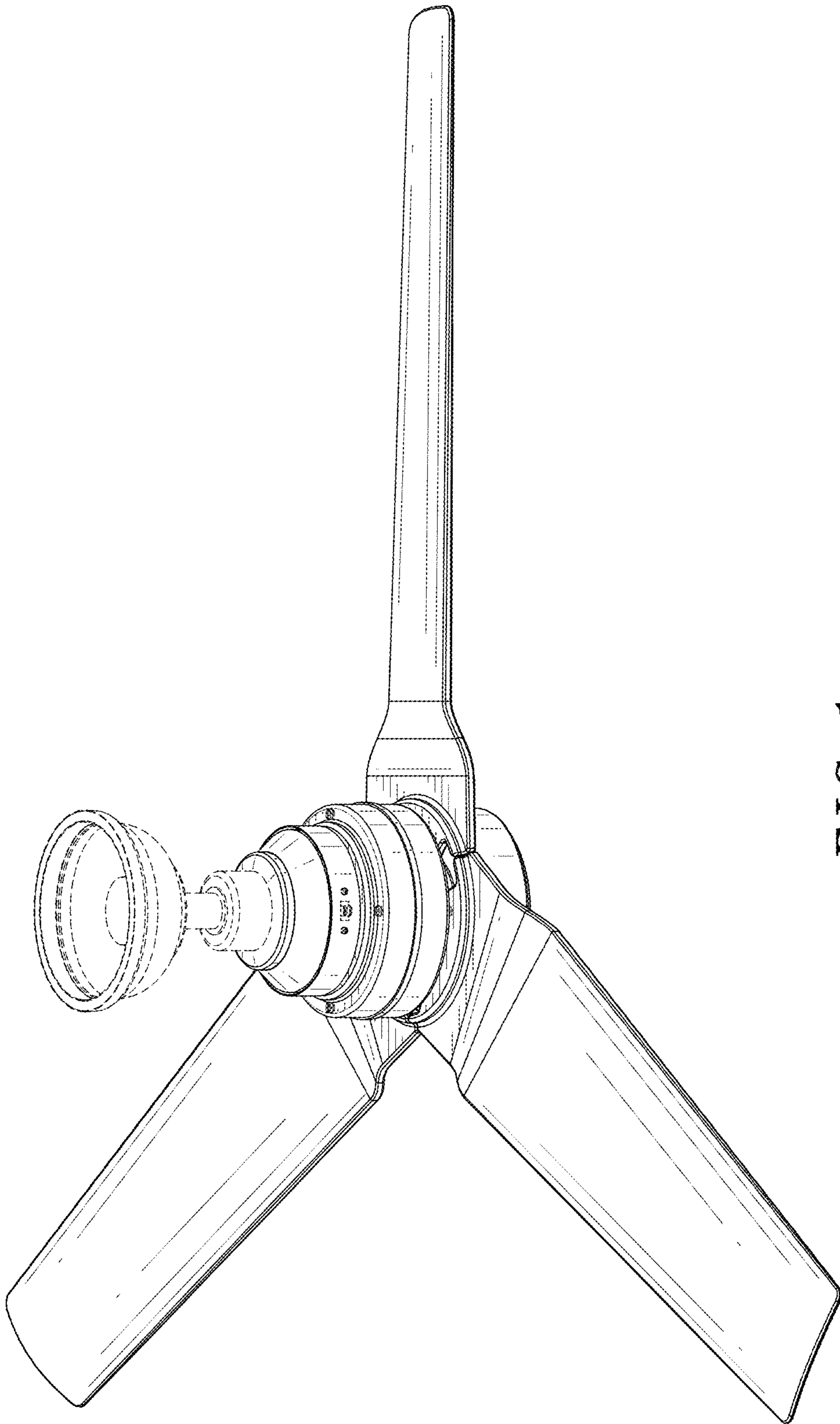


FIG. 1

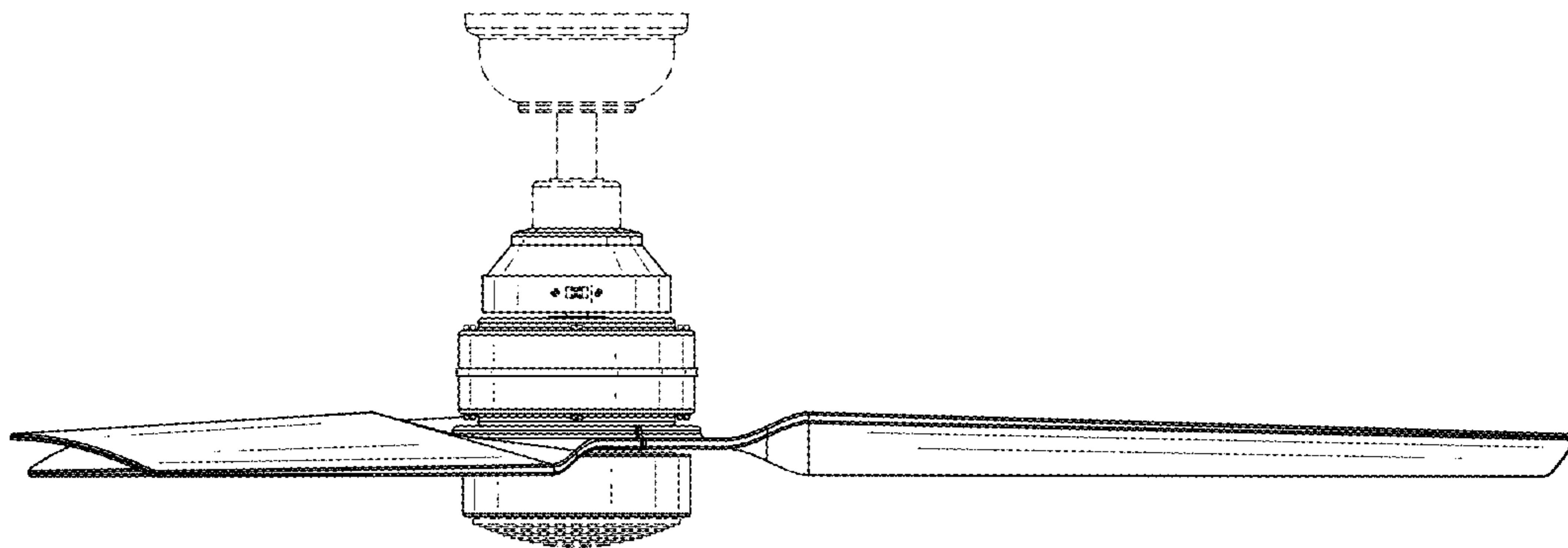


FIG. 2

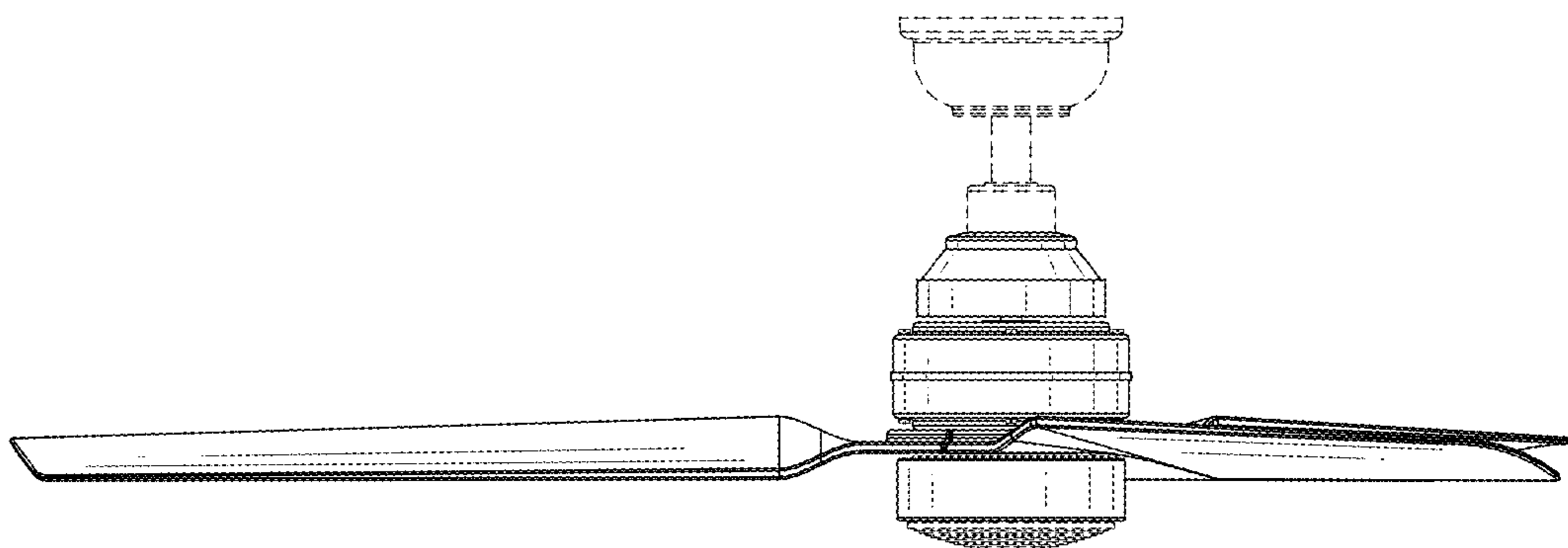


FIG. 3

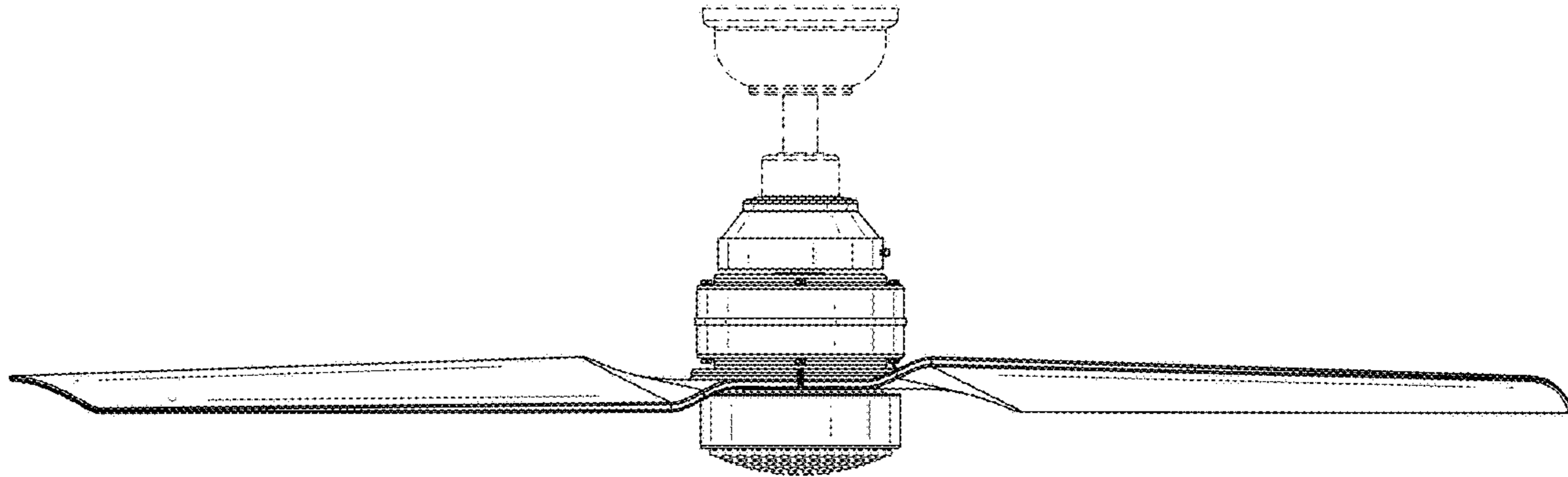


FIG. 4

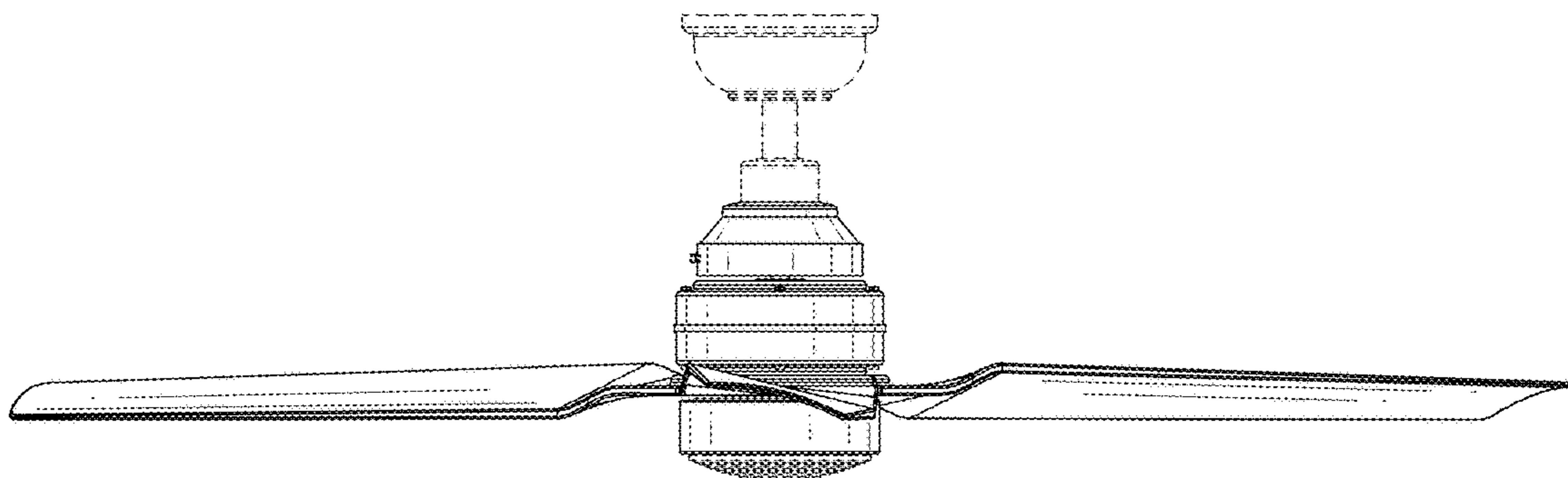


FIG. 5

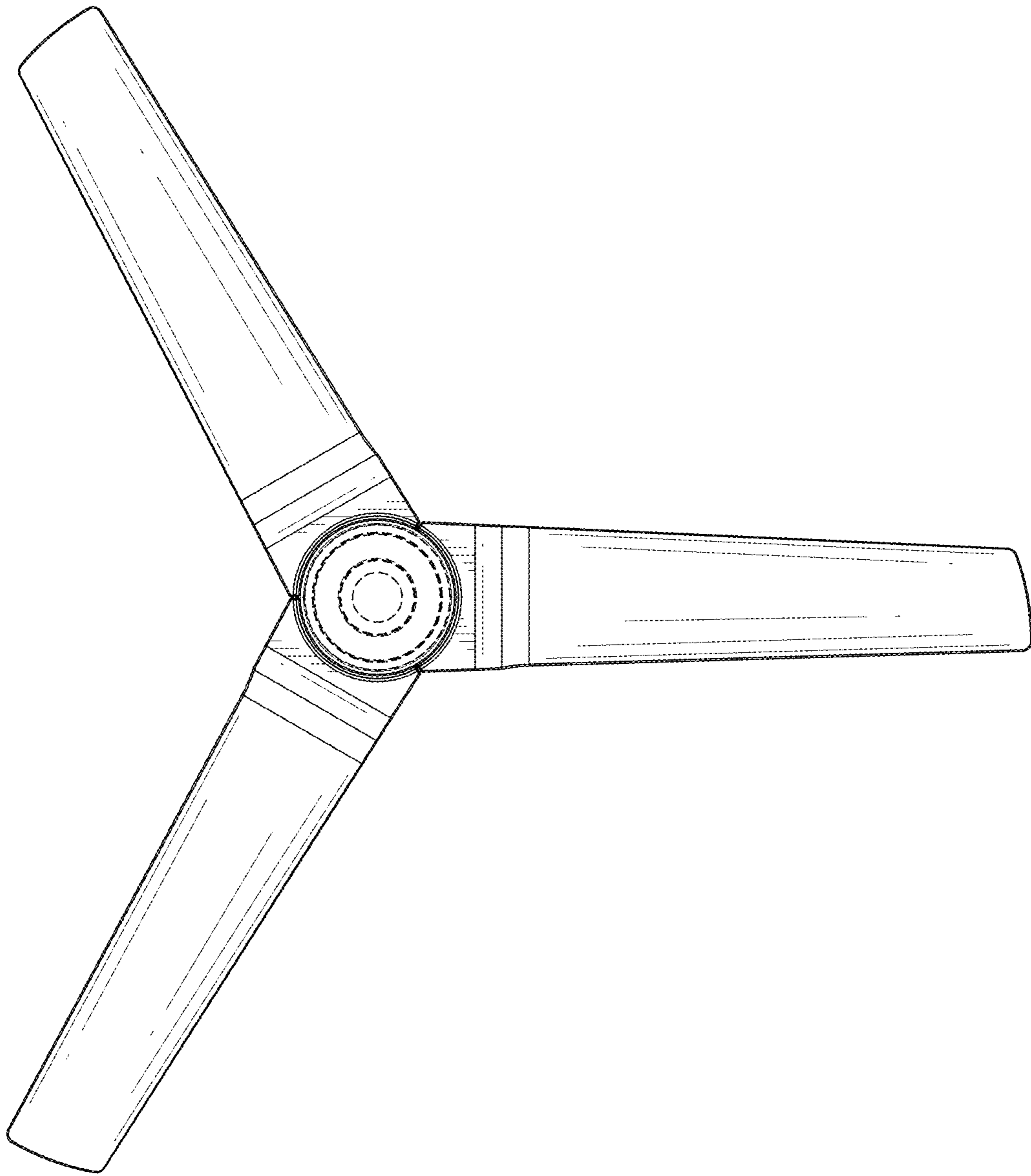


FIG. 6

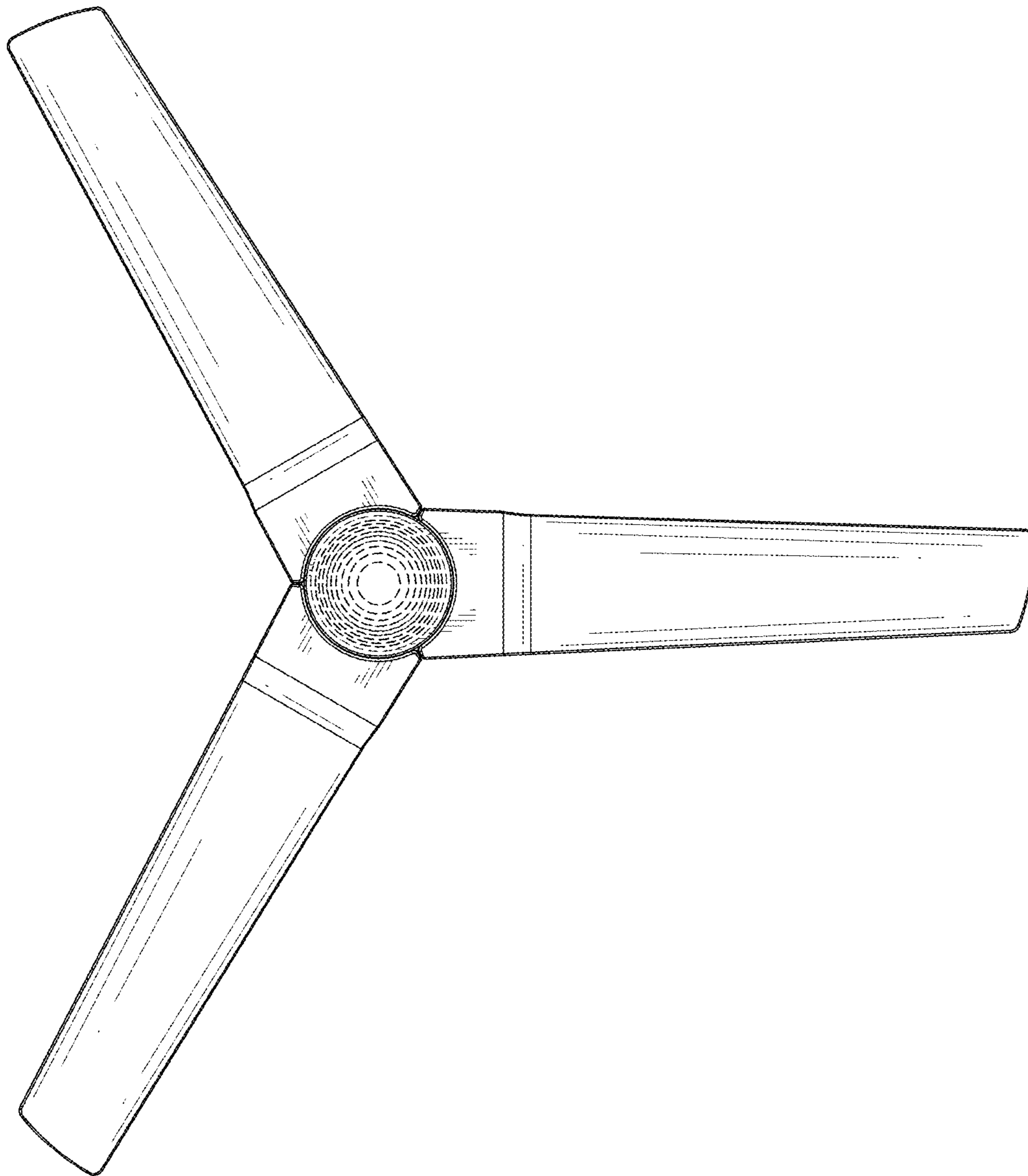


FIG. 7

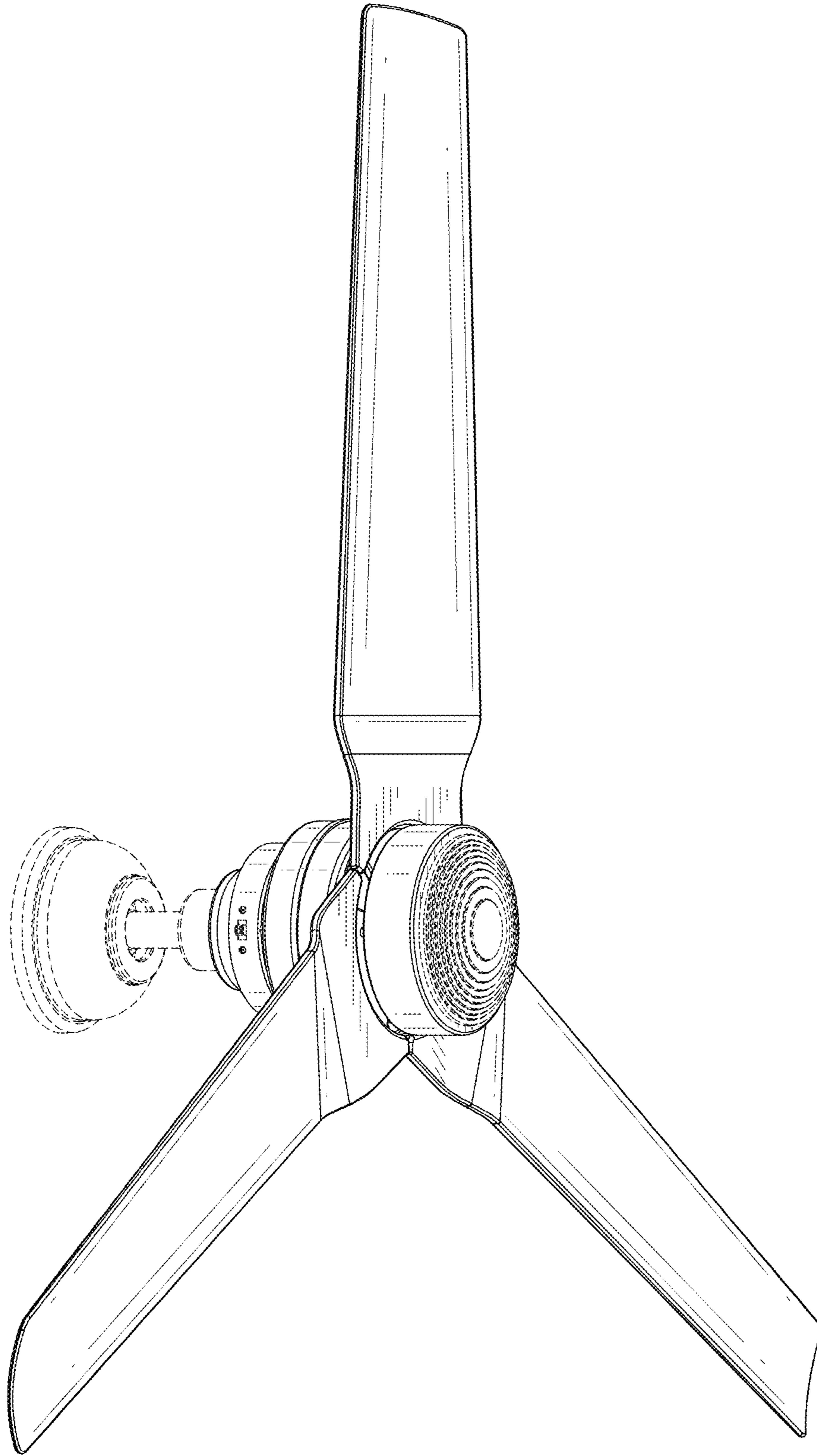


FIG. 8