



US00D795412S

(12) **United States Design Patent**
Schulzman

(10) **Patent No.:** **US D795,412 S**

(45) **Date of Patent:** **** Aug. 22, 2017**

(54) **COMBINATION CEILING FAN AND LIGHT FIXTURE**

(71) Applicant: **Minka Lighting, Inc.**, Corona, CA (US)

(72) Inventor: **Kurt Schulzman**, Long Beach, CA (US)

(73) Assignee: **Minka Lighting, Inc.**, Corona, CA (US)

(**) Term: **15 Years**

(21) Appl. No.: **29/557,823**

(22) Filed: **Mar. 11, 2016**

Related U.S. Application Data

(63) Continuation-in-part of application No. 29/511,471, filed on Dec. 10, 2014, now abandoned.

(51) **LOC (10) Cl.** **23-04**

(52) **U.S. Cl.**
USPC **D23/377**

(58) **Field of Classification Search**
USPC D23/377, 387, 411-414, 499; 416/1, 5, 416/170 R, 214 R, 184, 206, 207, 210 R, 416/220 R, 244 R, 248; 392/364; D26/59, 51, 72, 73, 80-86, 88, 90
CPC F04D 25/088; F04D 29/601; F04D 29/322; F04D 29/324; F21V 33/0096
See application file for complete search history.

(56) **References Cited**

U.S. PATENT DOCUMENTS

D329,087 S * 9/1992 Markwardt D23/377
D372,080 S 7/1996 Dolan
D389,908 S 1/1998 Dolan
5,951,253 A 9/1999 Gajewski
6,171,060 B1 1/2001 Gajewski

D453,216 S * 1/2002 Gajewski D23/377
D476,728 S 7/2003 Gajewski
D477,068 S 7/2003 Hsieh
D512,138 S 11/2005 Clymer
7,210,910 B1 5/2007 Parker et al.
D583,923 S 12/2008 Bucher et al.
D596,733 S 7/2009 Kihara
D596,734 S 7/2009 Kihara
D599,461 S * 9/2009 Ertze D23/377
D603,955 S 11/2009 Patton
D627,053 S 11/2010 Pan
D628,688 S * 12/2010 Pan D23/377

(Continued)

Primary Examiner — Susan Bennett Hattan

Assistant Examiner — Marie Fast Horse

(74) *Attorney, Agent, or Firm* — Baker & McKenzie LLP

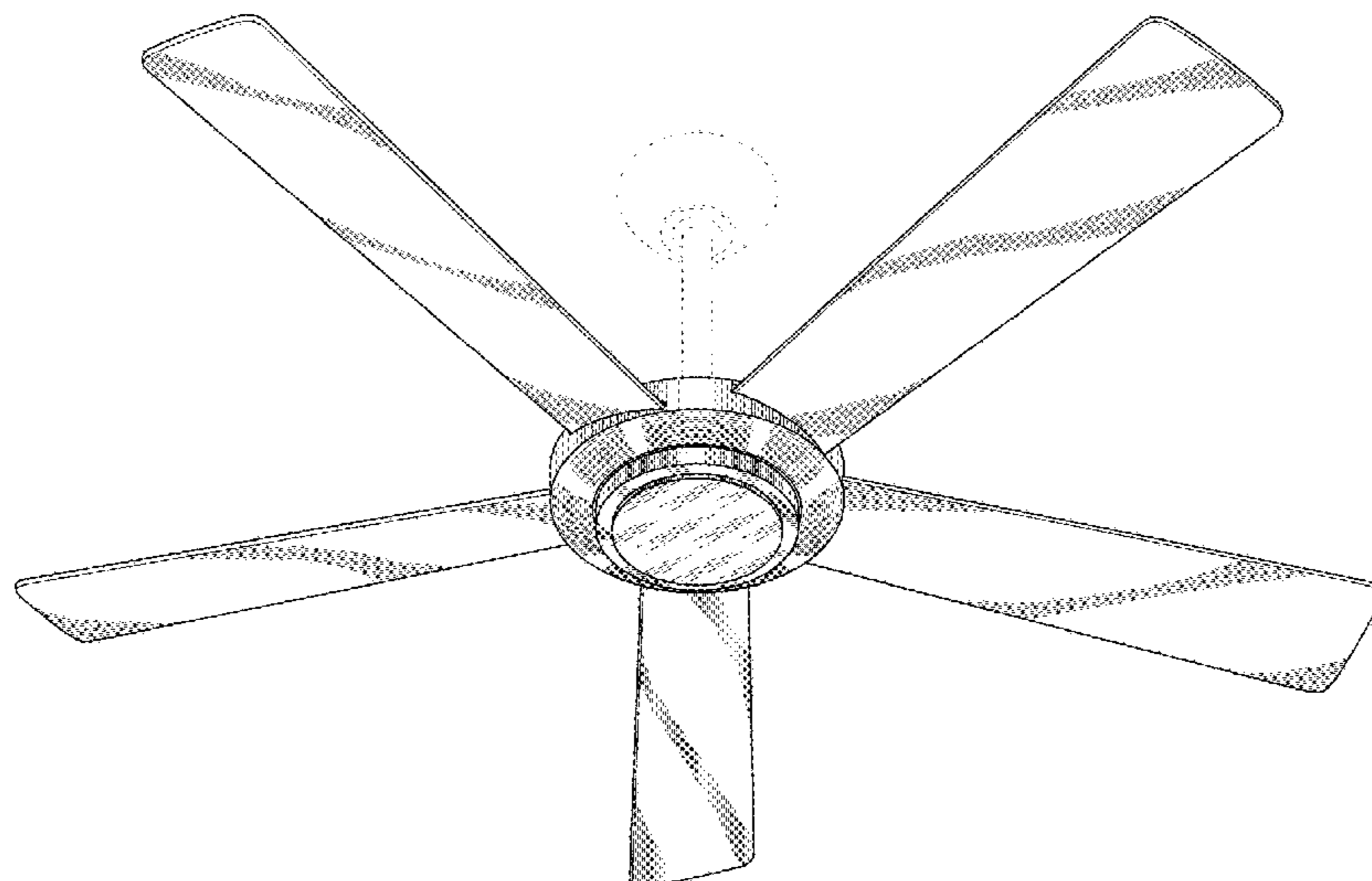
(57) **CLAIM**

The ornamental design for a combination ceiling fan and light fixture, as shown and described.

DESCRIPTION

FIG. 1 is a perspective view of a combination ceiling fan and light fixture in accordance with my design;
FIG. 2 is a top plan view of the combination ceiling fan and light fixture in accordance with my design;
FIG. 3 is a bottom plan view of the combination ceiling fan and light fixture in accordance with my design;
FIG. 4 is a front elevation view of the combination ceiling fan and light fixture in accordance with my design;
FIG. 5 is a rear elevation view of the combination ceiling fan and light fixture in accordance with my design;
FIG. 6 is a left-side elevation view of the combination ceiling fan and light fixture in accordance with my design;
and,
FIG. 7 is a right-side elevation view of the combination ceiling fan and light fixture in accordance with my design.
The broken-line disclosure of elements is understood to represent portions of the article in which the design is embodied, but which form no part of the claimed design.

1 Claim, 5 Drawing Sheets



(56)

References Cited

U.S. PATENT DOCUMENTS

D628,722	S	*	12/2010	Yamamoto	D26/2
D647,227	S	*	10/2011	Kaule	D26/24
D652,537	S	*	1/2012	Wada	D26/2
D663,829	S		7/2012	Allen et al.		
D705,970	S		5/2014	Ertze		
D706,970	S		6/2014	Wang		
D707,336	S		6/2014	Pan		
D714,471	S	*	9/2014	Nojiri	D26/2
D715,917	S		10/2014	Hidalgo		
D717,935	S		11/2014	Strecker et al.		
D719,252	S		12/2014	Allen et al.		
D745,956	S	*	12/2015	Ertze	D23/385
D756,501	S	*	5/2016	Park	D23/385
2010/0314941	A1		12/2010	Schulzman		

* cited by examiner

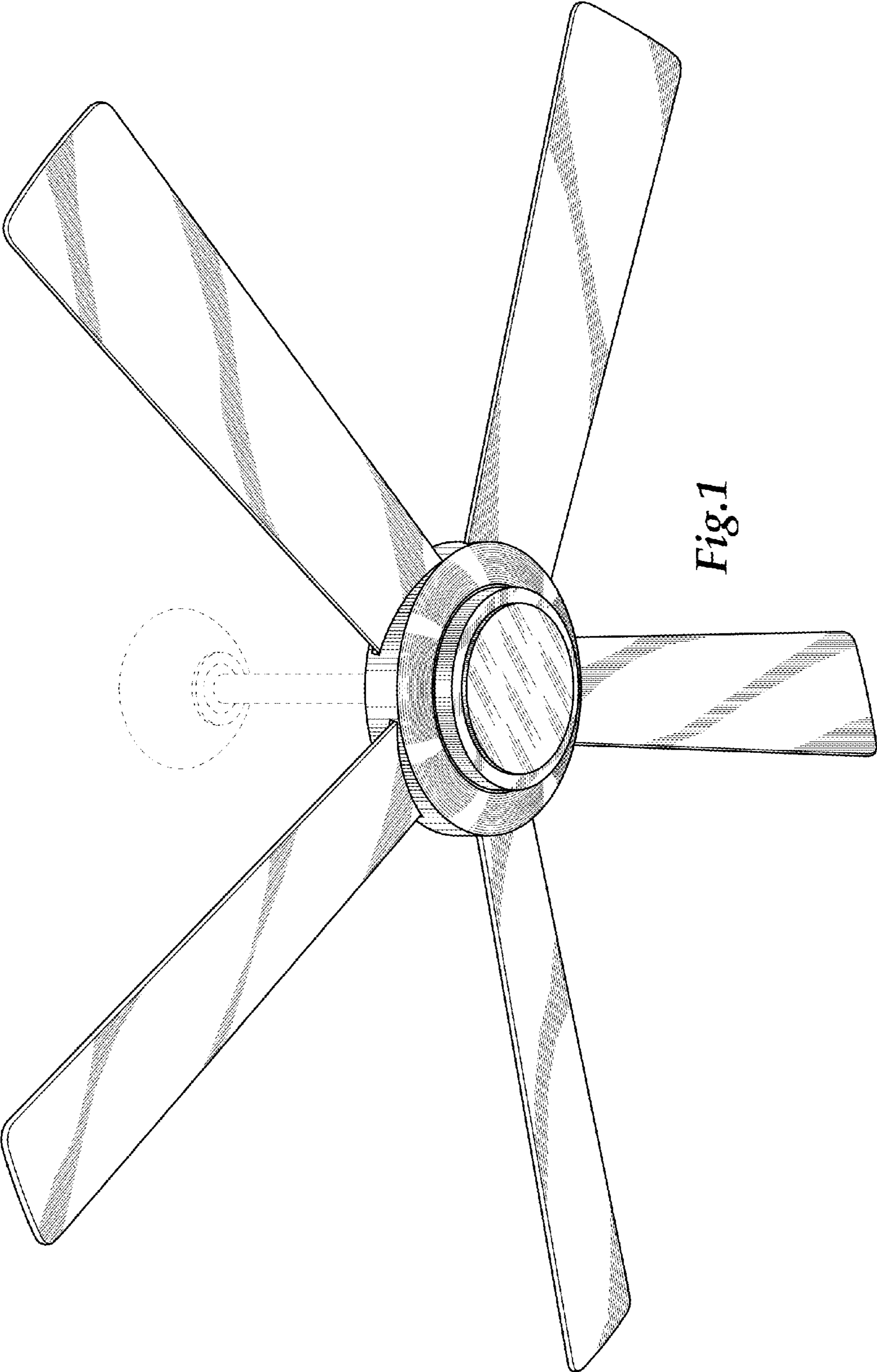


Fig.1

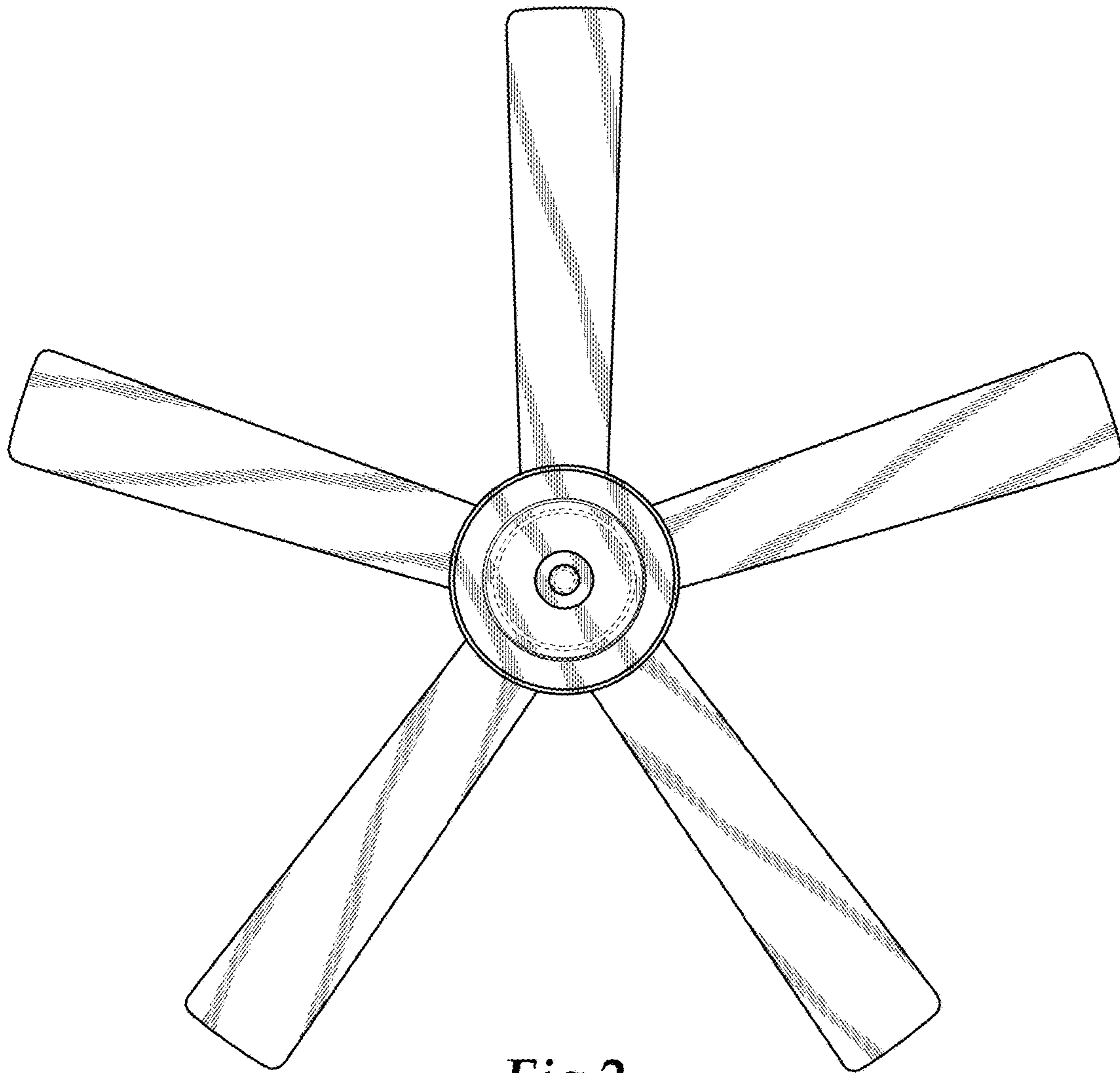


Fig.2

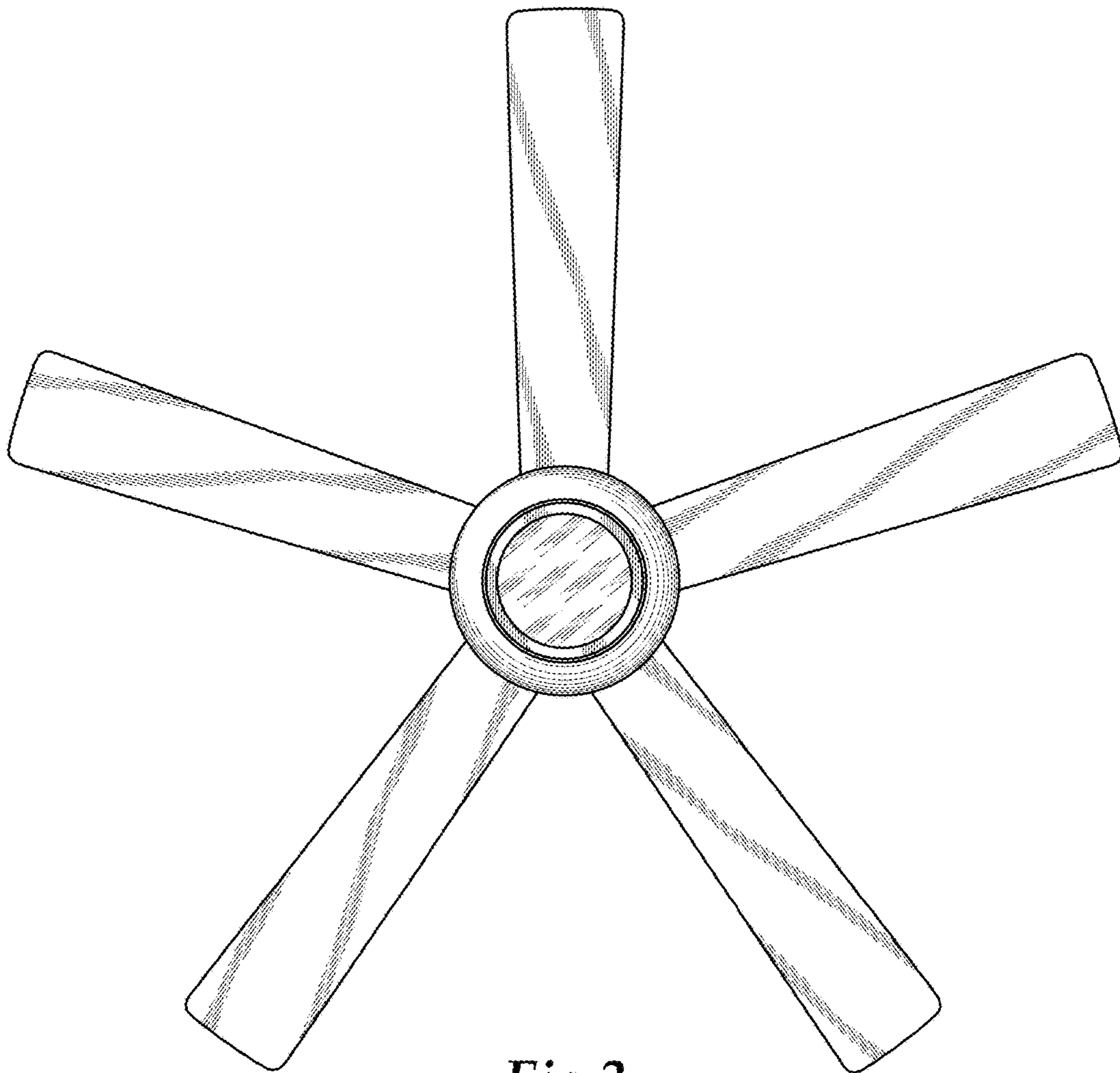


Fig.3

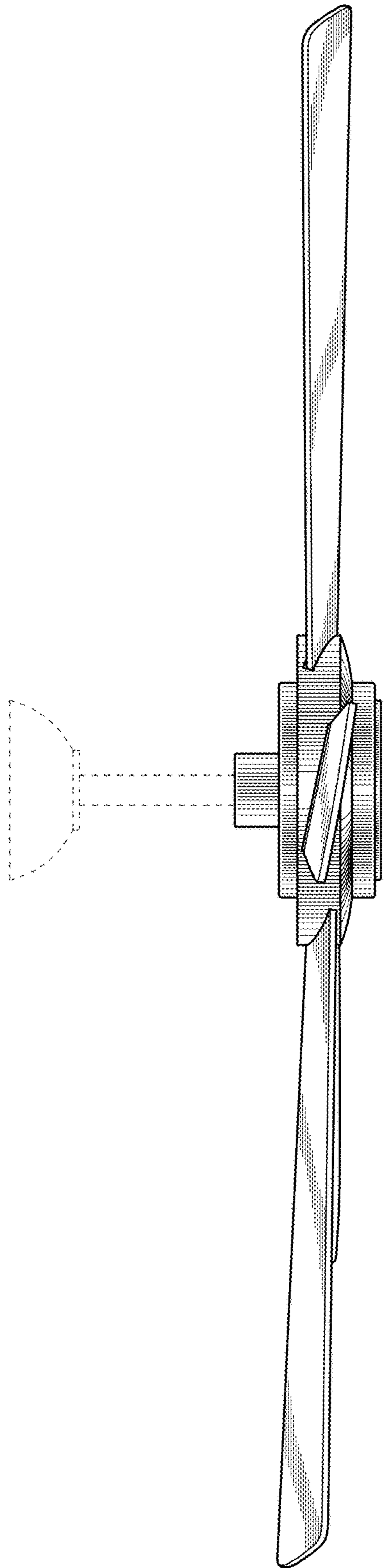


Fig. 4

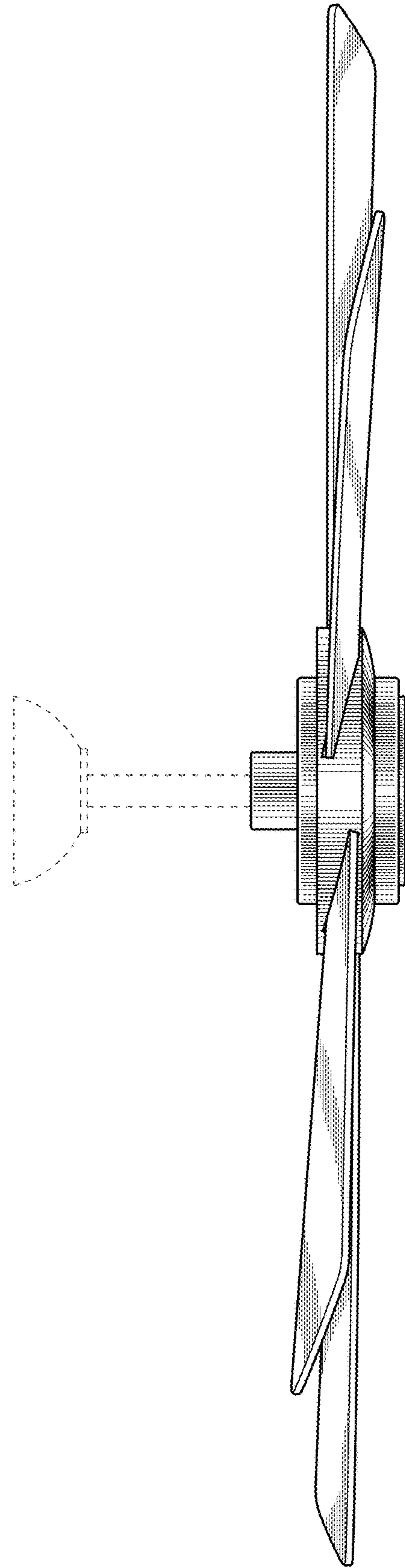


Fig. 5

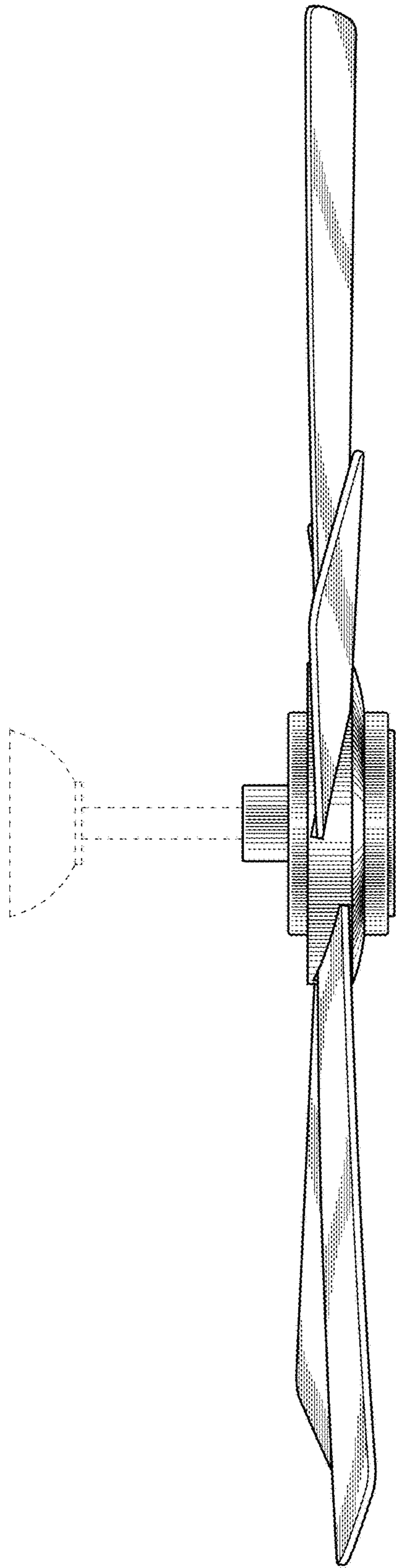


Fig. 6

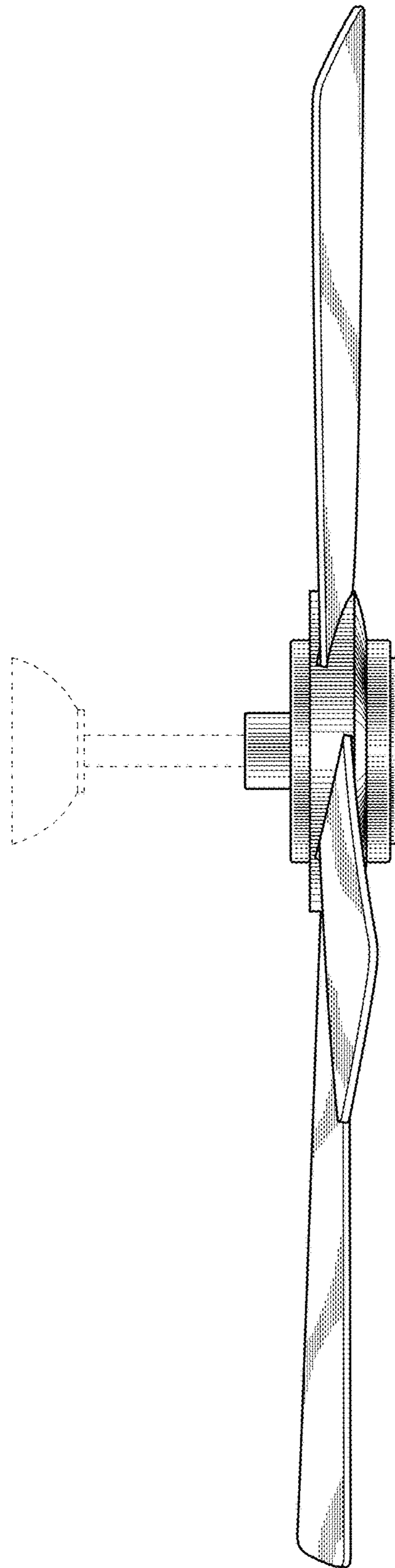


Fig. 7