



US00D795411S

(12) **United States Design Patent** (10) **Patent No.:** **US D795,411 S**  
**Wang** (45) **Date of Patent:** **\*\* Aug. 22, 2017**

- (54) **CEILING FAN**
- (71) Applicant: **YOUNGO LIMITED**, Hong Kong (CN)
- (72) Inventor: **Cliff Wang**, Taichung (TW)
- (73) Assignee: **YOUNGO LIMITED**, Hong Kong (CN)
- (\*\*) Term: **15 Years**
- (21) Appl. No.: **29/552,041**
- (22) Filed: **Jan. 20, 2016**
- (51) **LOC (10) Cl.** ..... **23-04**
- (52) **U.S. Cl.**  
USPC ..... **D23/377**
- (58) **Field of Classification Search**  
USPC ..... D23/355, 370-387, 411-414; D26/59; D12/214  
CPC ..... F04D 25/088; F21V 33/0096  
See application file for complete search history.

- D744,634 S \* 12/2015 Wang ..... D23/411
- D771,794 S \* 11/2016 Wang ..... D23/411
- D773,030 S \* 11/2016 Puerto ..... D23/377
- 2009/0129974 A1 \* 5/2009 McEllen ..... A61L 9/205 422/24

\* cited by examiner

*Primary Examiner* — Cathron Brooks  
*Assistant Examiner* — Sharon S Oum  
(74) *Attorney, Agent, or Firm* — Pai Patent & Trademark Law Firm; Chao-Chang David Pai

(57) **CLAIM**

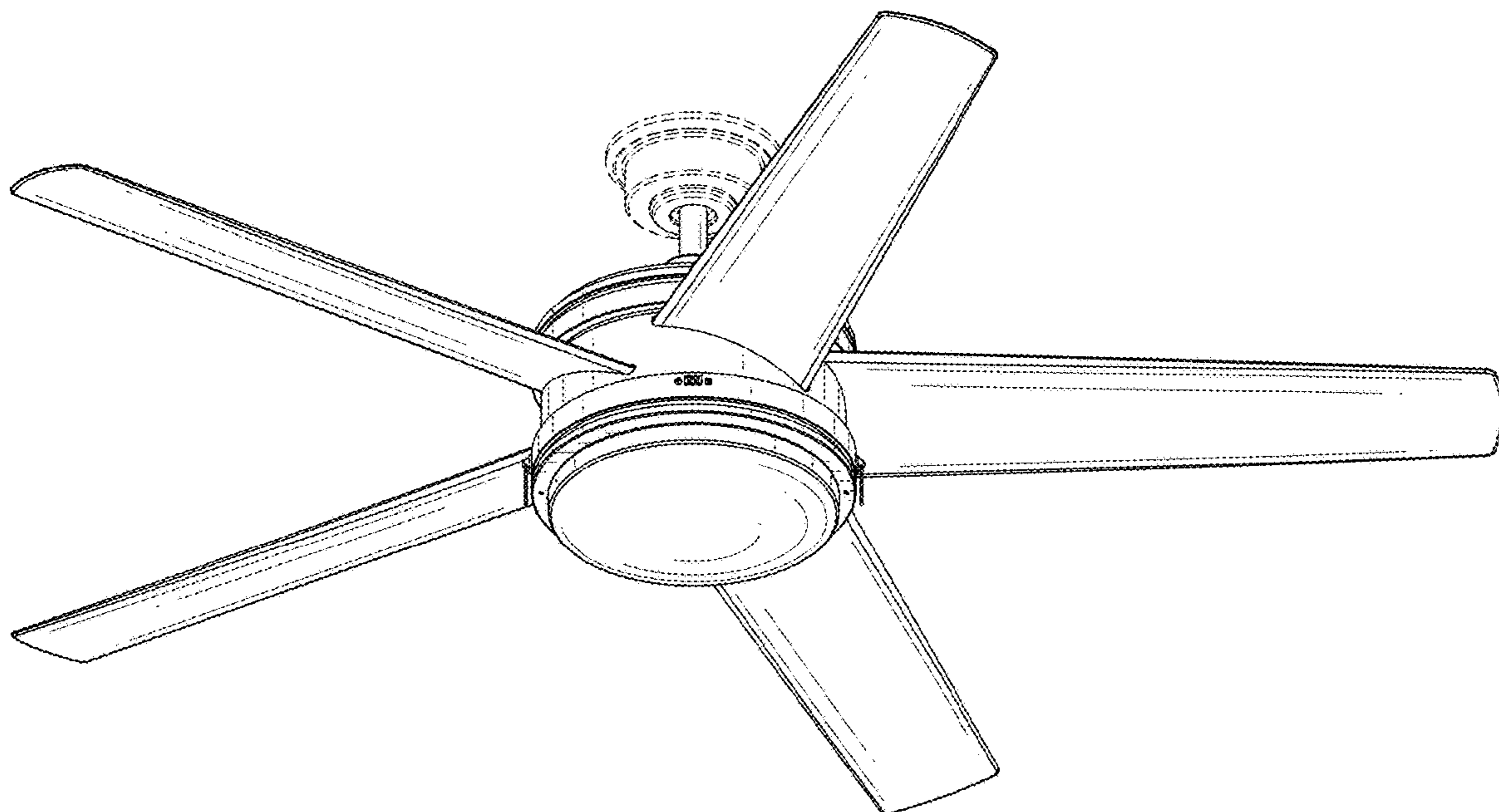
The ornamental design for a ceiling fan, as shown and described.

**DESCRIPTION**

FIG. 1 is a front top perspective view of a ceiling fan showing my new design;  
FIG. 2 is a front elevational view thereof;  
FIG. 3 is a rear elevational view thereof;  
FIG. 4 is a left side elevational view thereof;  
FIG. 5 is a right side elevational view thereof;  
FIG. 6 is a top plan view thereof;  
FIG. 7 is a bottom plan view thereof; and,  
FIG. 8 is a front bottom perspective view thereof.  
The broken lines are for the purpose of illustrating environmental structure and form no part of the claimed design.

**1 Claim, 6 Drawing Sheets**

- (56) **References Cited**  
U.S. PATENT DOCUMENTS
- 4,592,702 A \* 6/1986 Bogage ..... F04D 25/088 310/89
- D627,874 S \* 11/2010 Pan ..... D23/411
- D628,688 S \* 12/2010 Pan ..... D23/377
- 7,850,513 B1 \* 12/2010 Parker ..... F04D 25/0606 136/245
- D632,381 S \* 2/2011 Davenport ..... D23/377
- D744,082 S \* 11/2015 Wang ..... D23/411



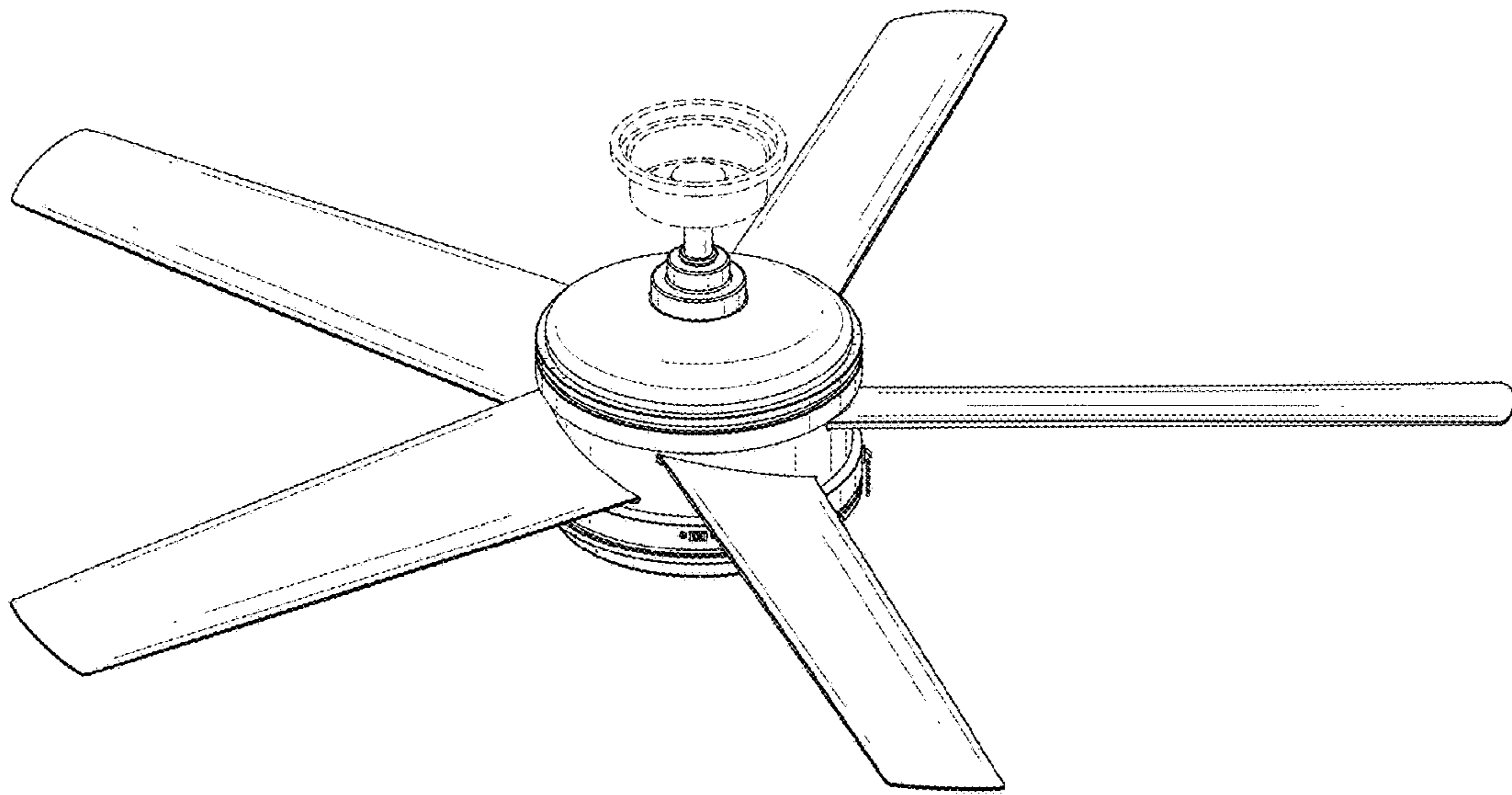


FIG. 1

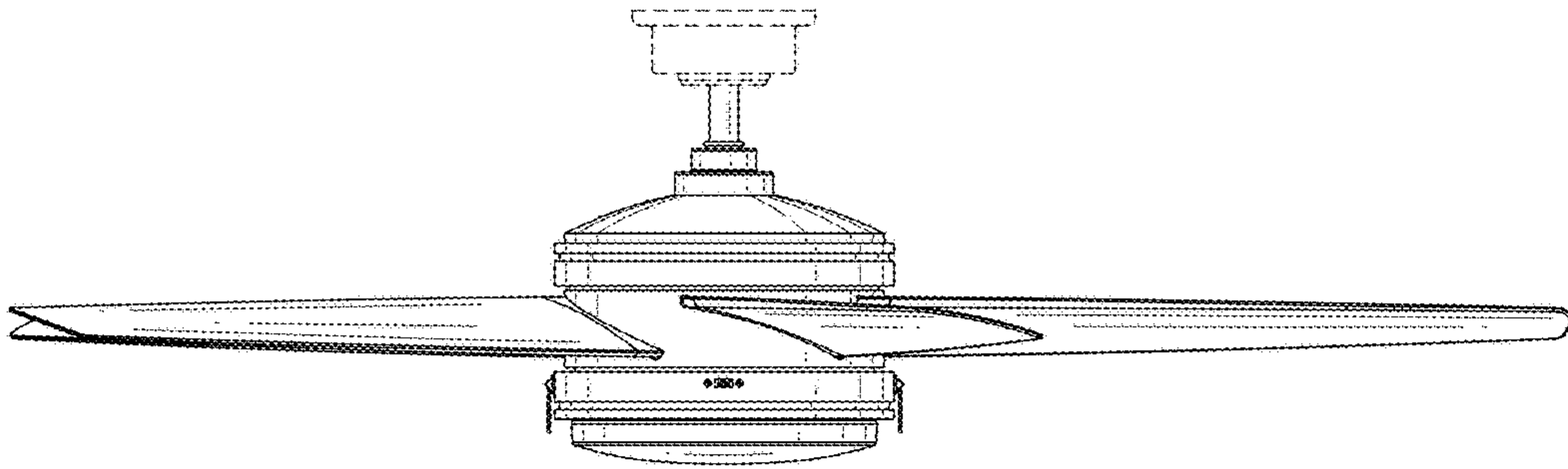


FIG. 2

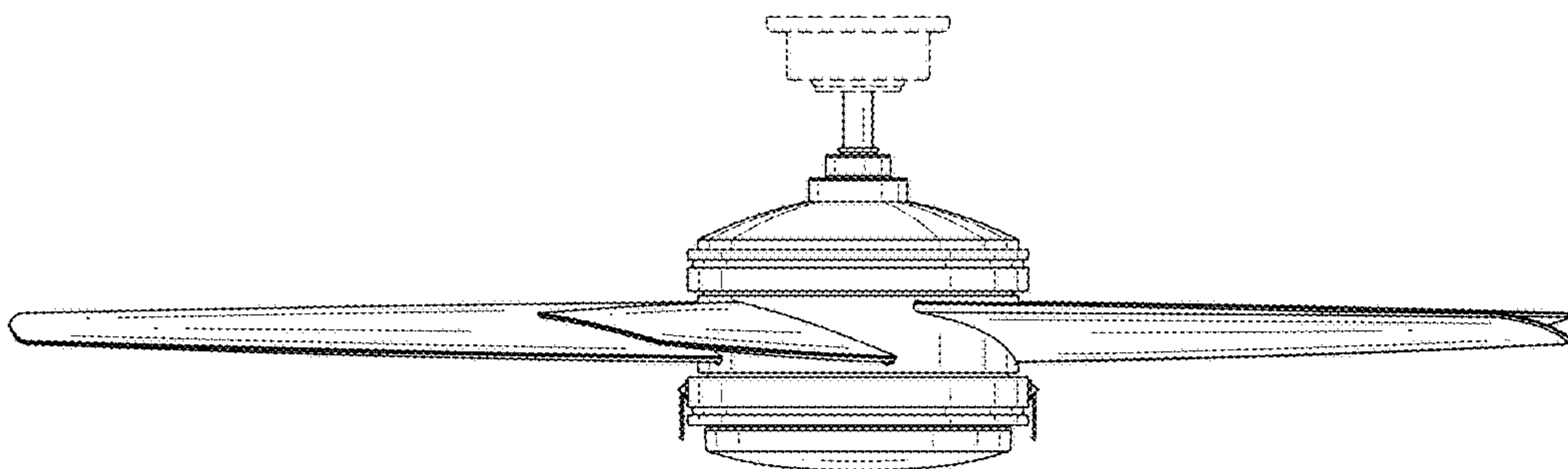


FIG. 3

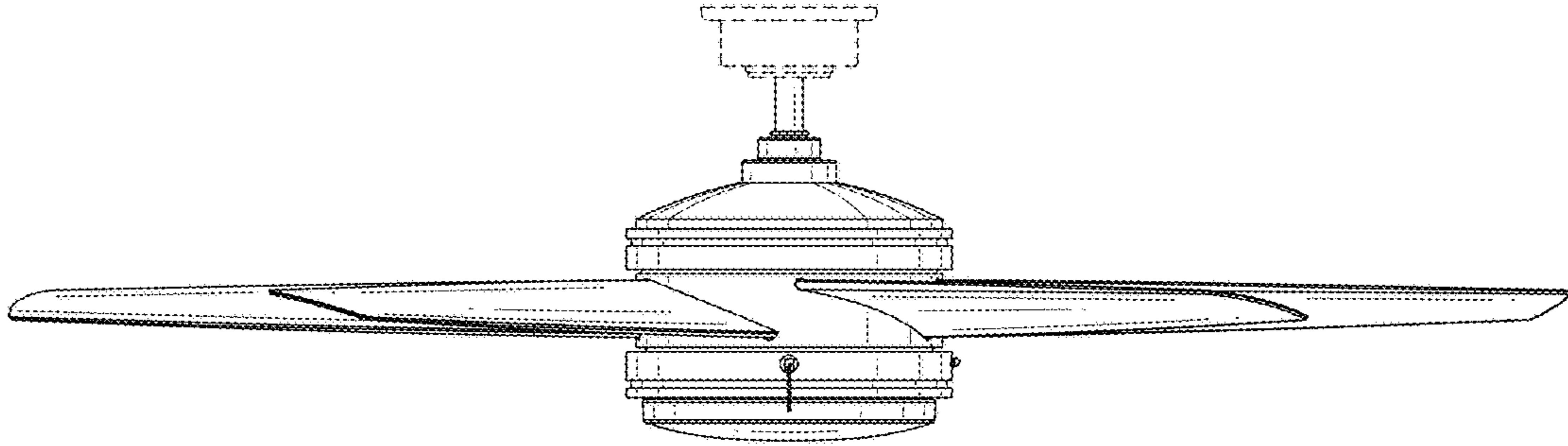


FIG. 4

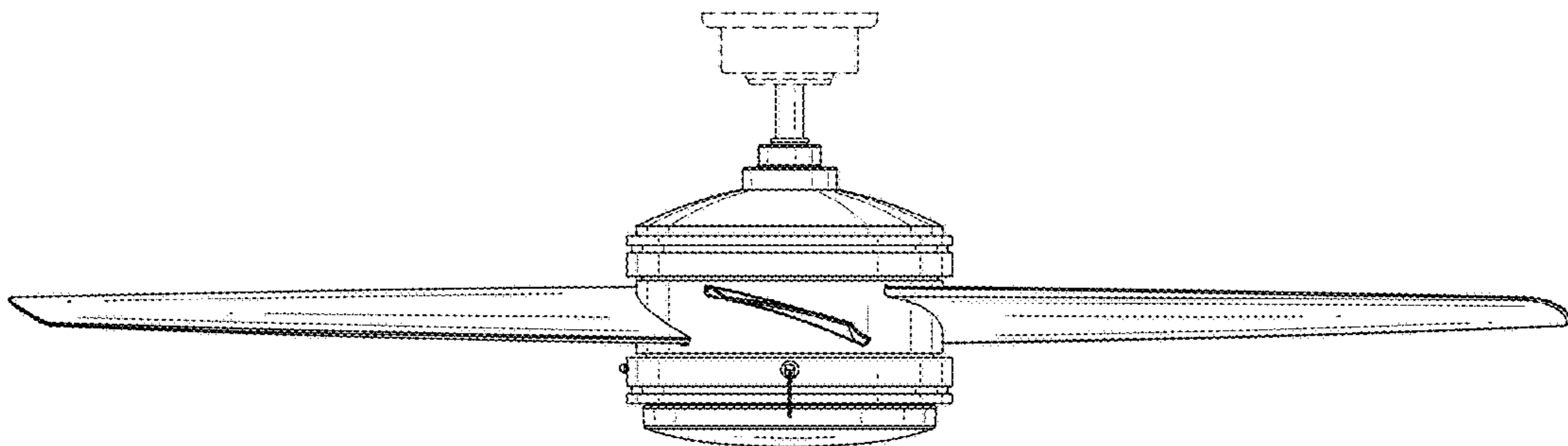


FIG. 5

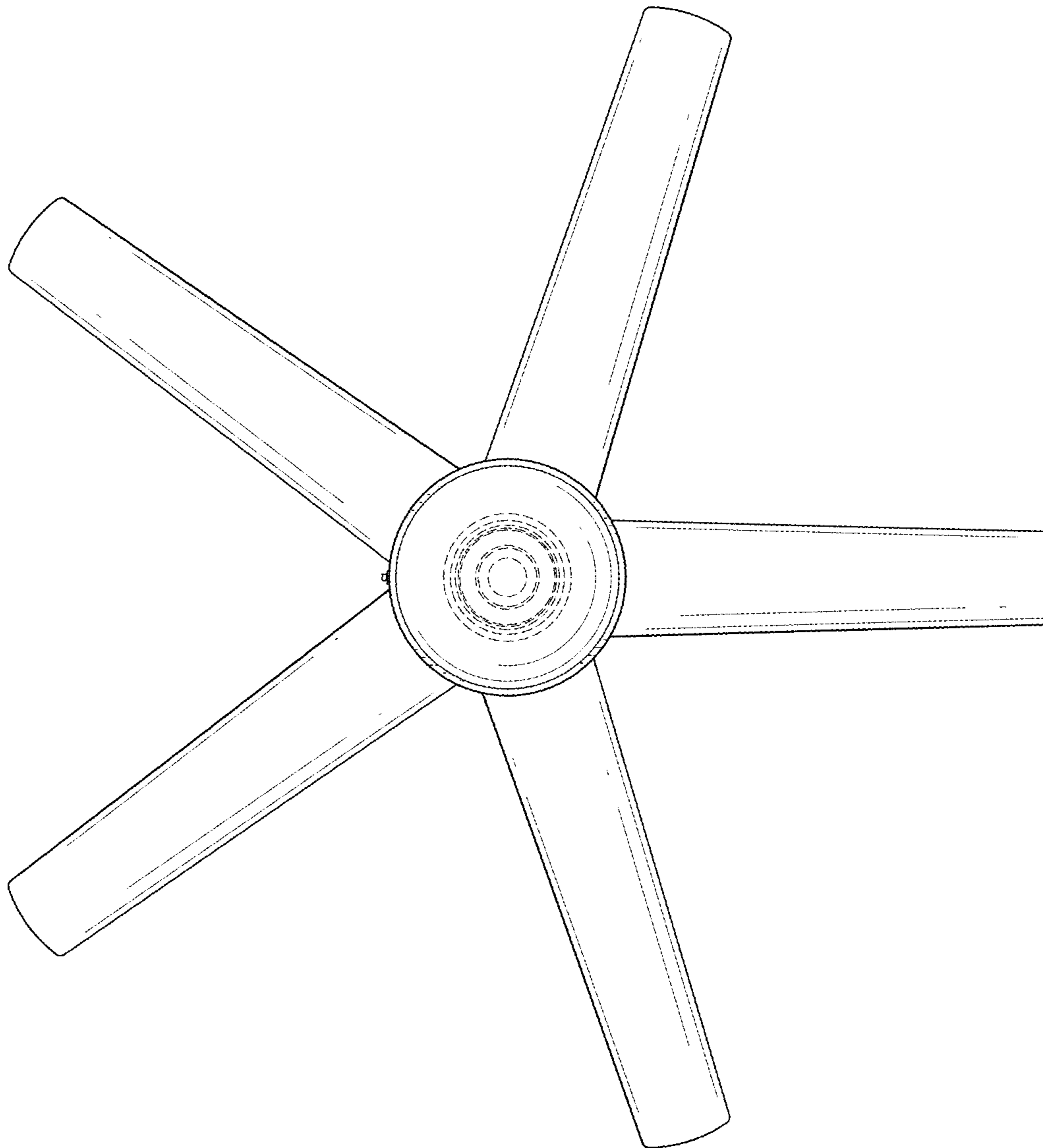


FIG. 6

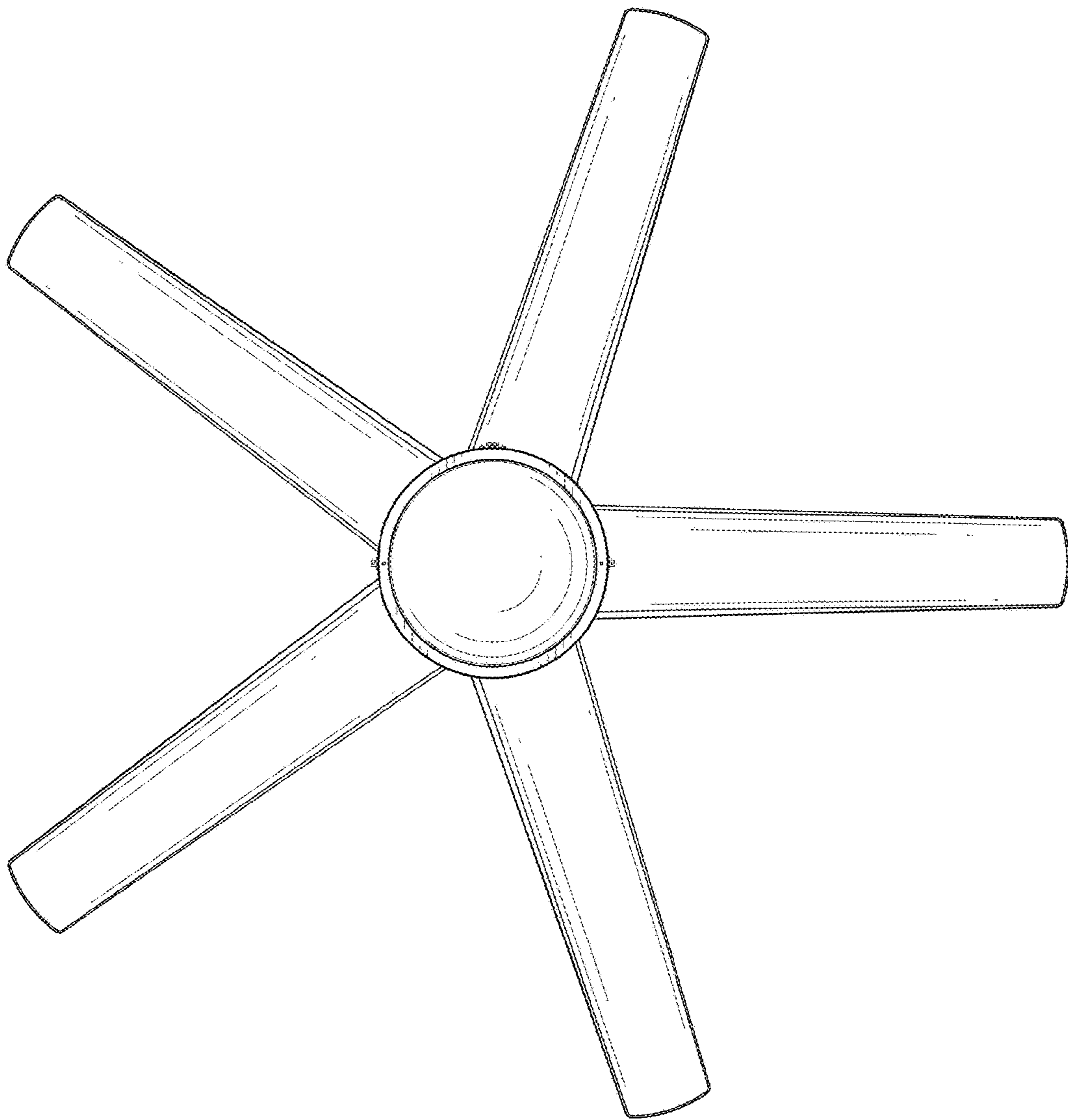


FIG. 7

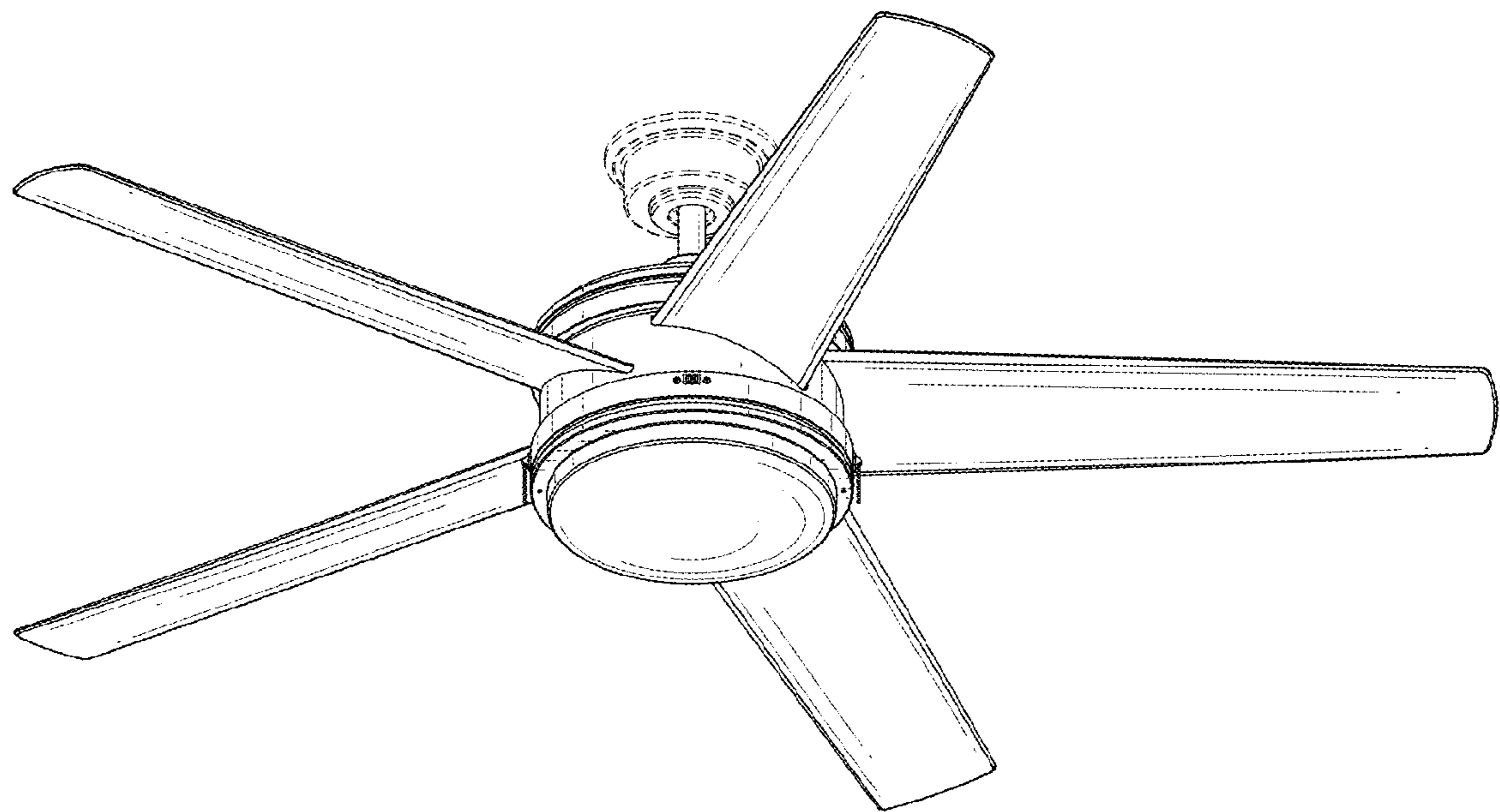


FIG. 8