



US00D795410S

(12) **United States Design Patent** (10) **Patent No.:** **US D795,410 S**
Holmes (45) **Date of Patent:** **** Aug. 22, 2017**

(54) **CEILING FAN**
(71) Applicant: **HUNTER FAN COMPANY,**
Memphis, TN (US)
(72) Inventor: **Christine Holmes,** Cordova, TN (US)
(73) Assignee: **Hunter Fan Company,** Memphis, TN
(US)
(**) Term: **15 Years**
(21) Appl. No.: **29/550,848**
(22) Filed: **Jan. 7, 2016**
(51) **LOC (10) Cl.** **23-04**
(52) **U.S. Cl.**
USPC **D23/377; D26/59**
(58) **Field of Classification Search**
USPC **D23/355, 370-387, 411-414; D26/59;**
D12/214
CPC **F04D 25/088; F21V 33/0096**
See application file for complete search history.

(56) **References Cited**
U.S. PATENT DOCUMENTS
D314,618 S * 2/1991 Yen D23/377
D323,028 S * 1/1992 Holbrook D23/377
D355,027 S * 1/1995 Young D23/377
D357,978 S * 5/1995 Young D23/377
D386,257 S * 11/1997 Liu D23/377
D396,531 S 7/1998 Lieu
D400,667 S * 11/1998 Moody D23/377
D427,672 S * 7/2000 Lee D23/377

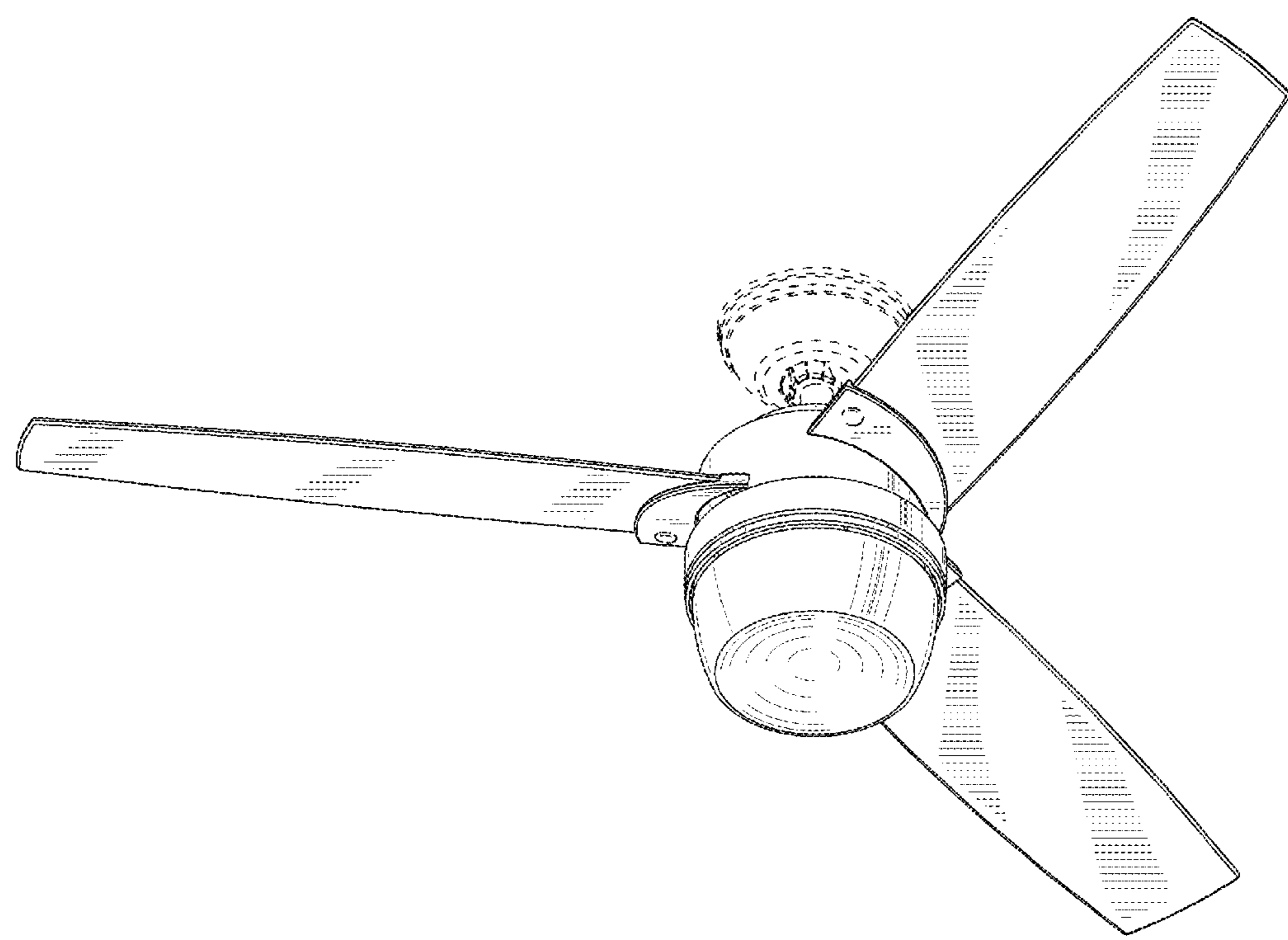
D451,189 S 11/2001 Liu
D603,955 S * 11/2009 Patton D23/411
D627,053 S 11/2010 Pan
D628,688 S * 12/2010 Pan D23/377
D680,210 S * 4/2013 Chan D23/377
D704,819 S 5/2014 Wang
D706,970 S 6/2014 Wang
D707,336 S 6/2014 Pan
D745,956 S * 12/2015 Ertze D23/385
D759,799 S * 6/2016 Wang D23/385
D773,030 S * 11/2016 Puerto D23/377

* cited by examiner
Primary Examiner — Cathron Brooks
Assistant Examiner — Sharon S Oum
(74) *Attorney, Agent, or Firm* — McGarry Bair PC

(57) **CLAIM**
The ornamental design for a ceiling fan, as shown and described.

DESCRIPTION
FIG. 1 is a top perspective view of a ceiling fan;
FIG. 2 is a bottom perspective view of the ceiling fan of FIG. 1;
FIG. 3 is a front view of the ceiling fan of FIG. 1;
FIG. 4 is a rear view of the ceiling fan of FIG. 1;
FIG. 5 is a left side view of the ceiling fan of FIG. 1;
FIG. 6 is a right side view of the ceiling fan of FIG. 1;
FIG. 7 is a top view of the ceiling fan of FIG. 1; and,
FIG. 8 is a bottom view of the ceiling fan of FIG. 1.
Portions of the ceiling fan shown in broken lines form no part of the claimed design.

1 Claim, 8 Drawing Sheets



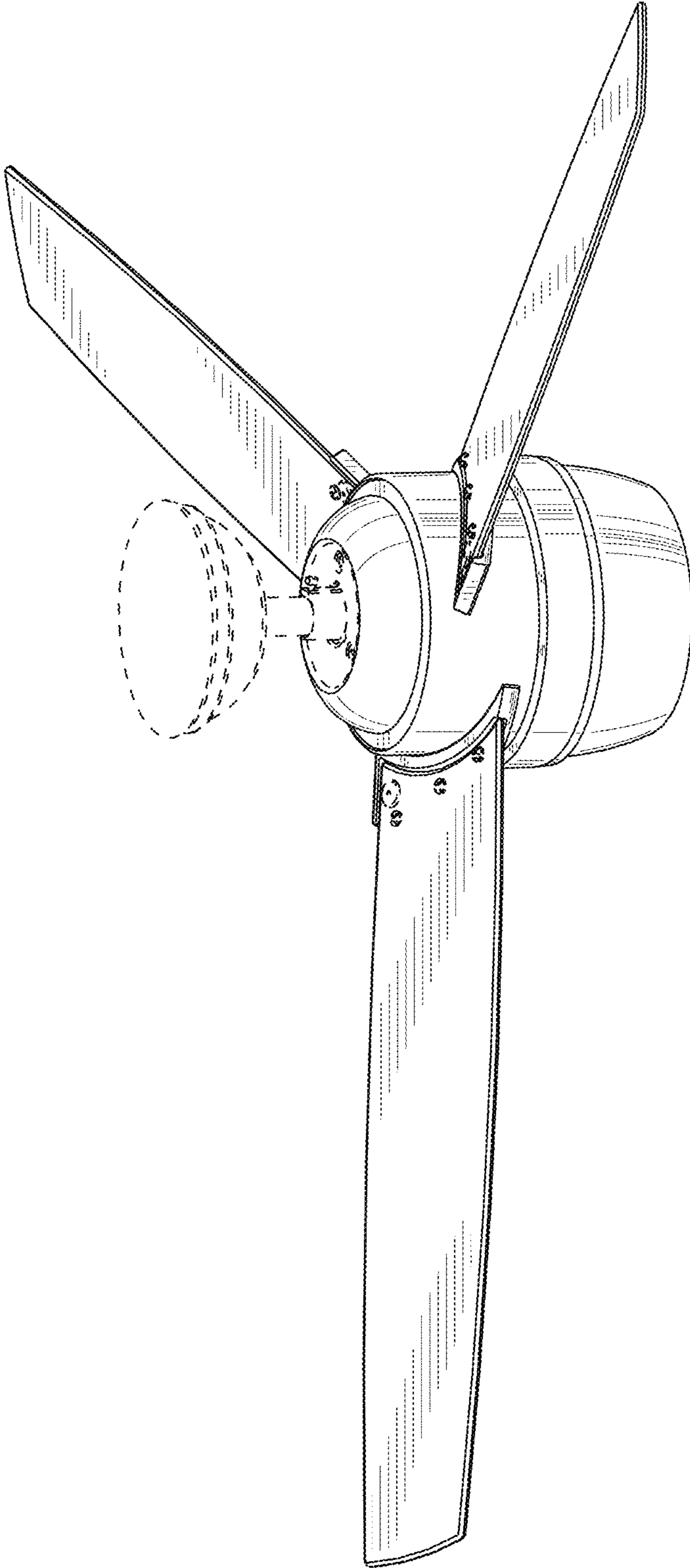


FIG. 1

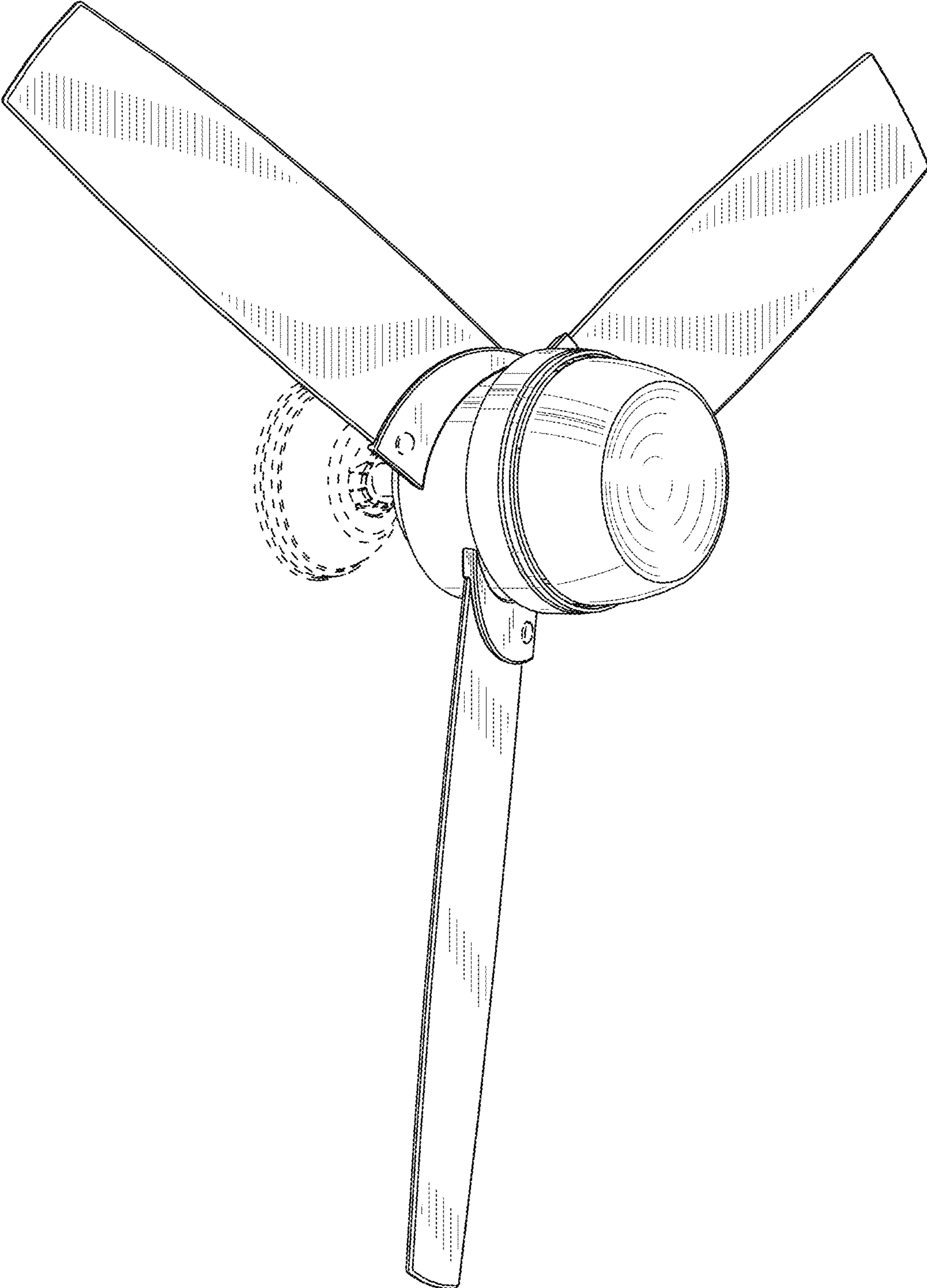


FIG. 2

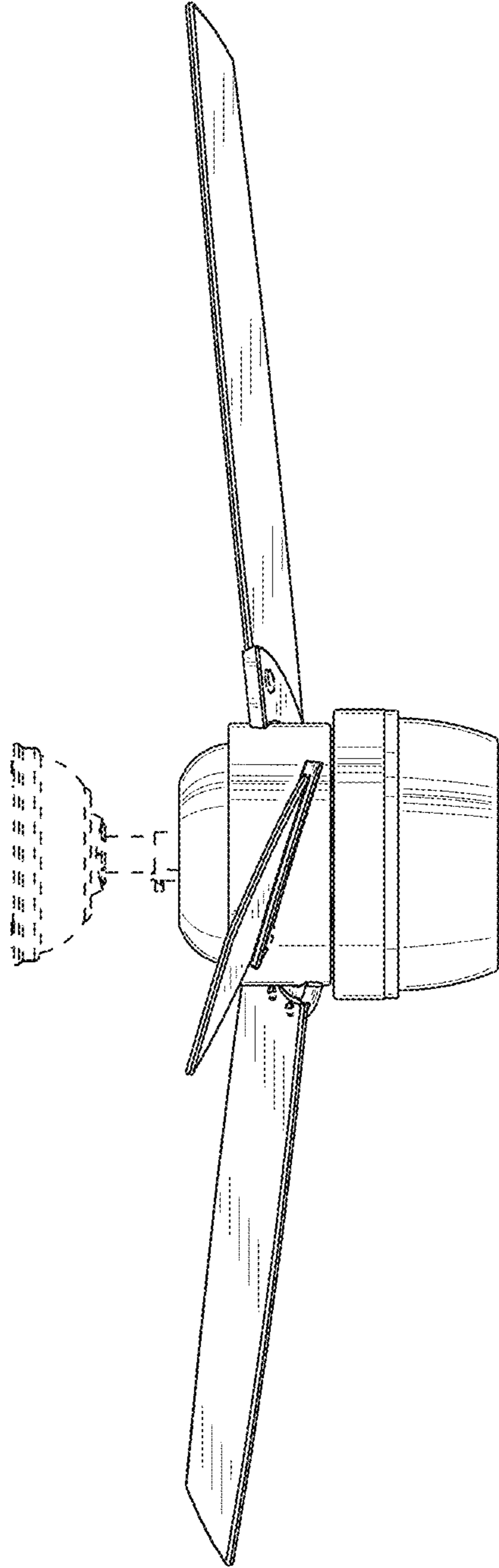


FIG. 3

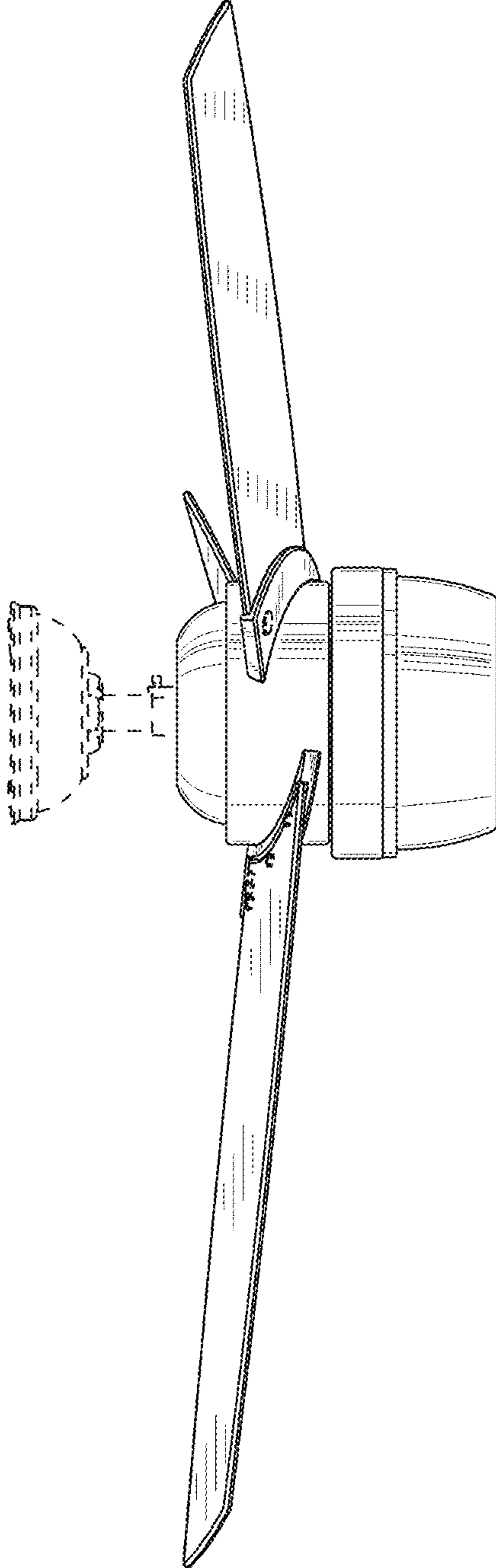


FIG. 4

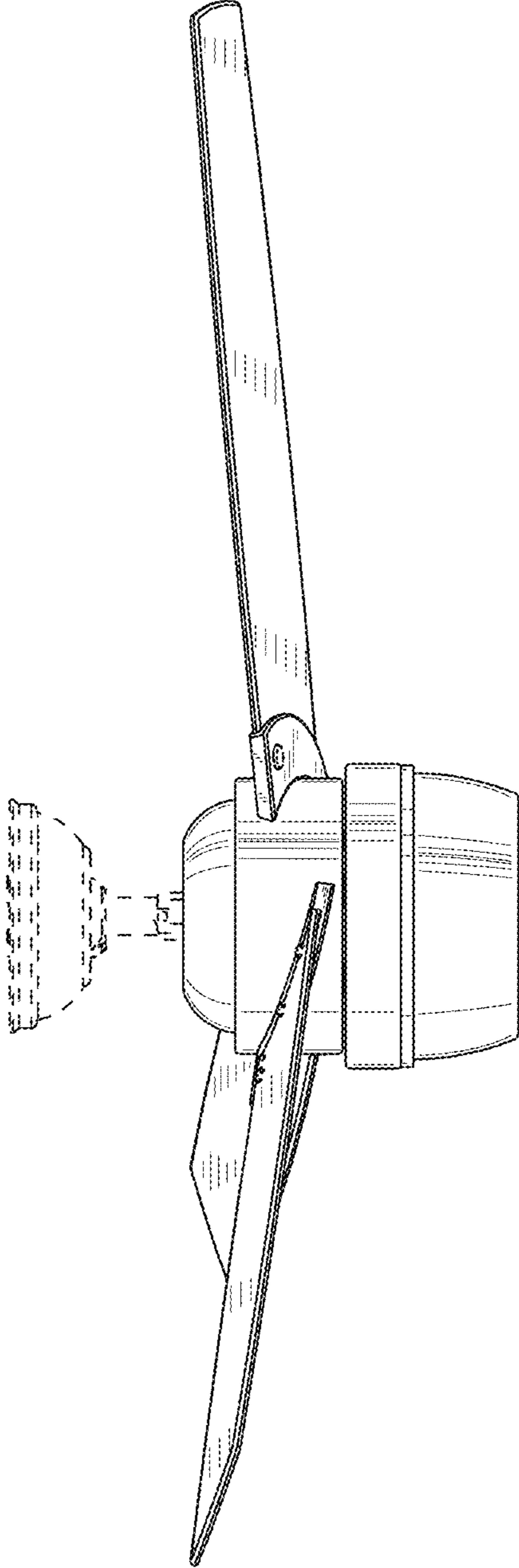


FIG. 5

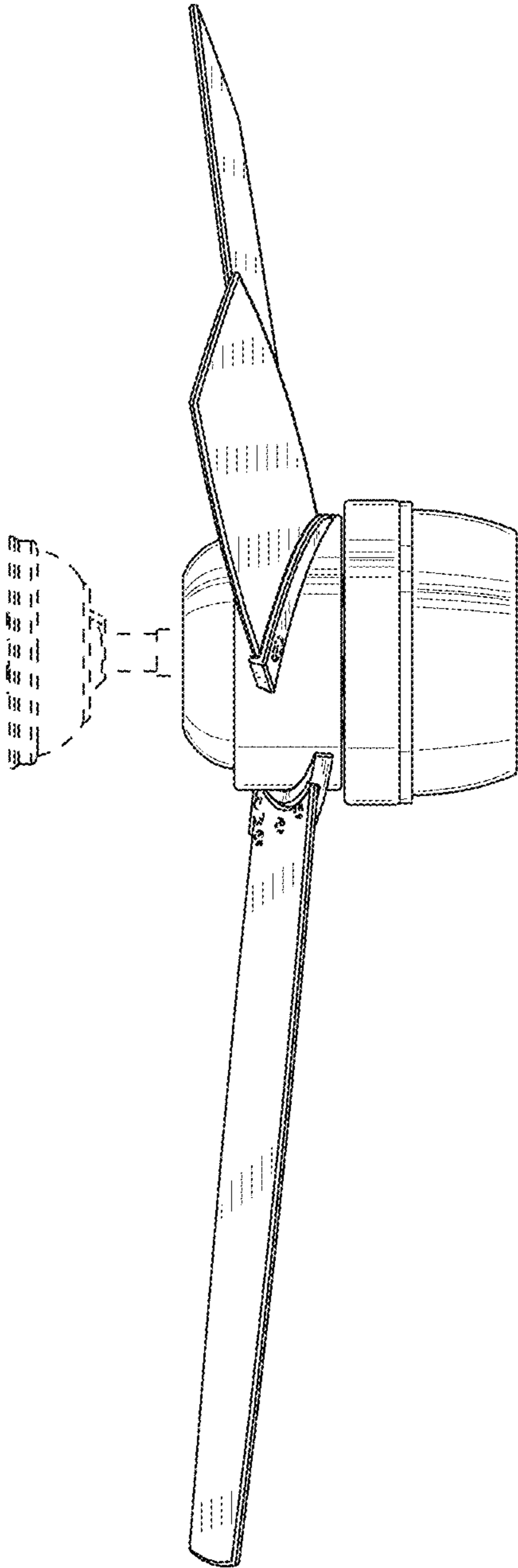


FIG. 6

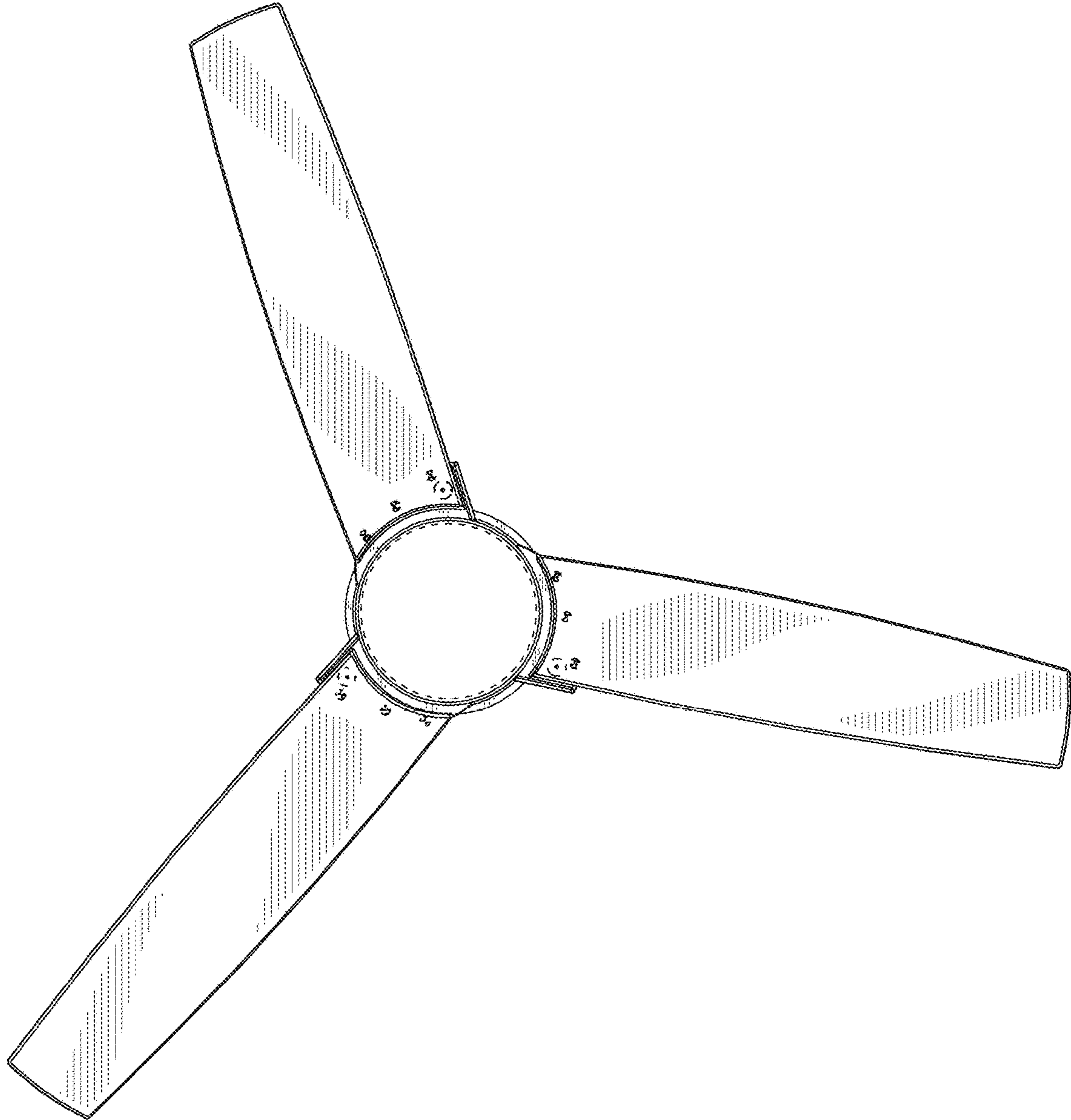


FIG. 7

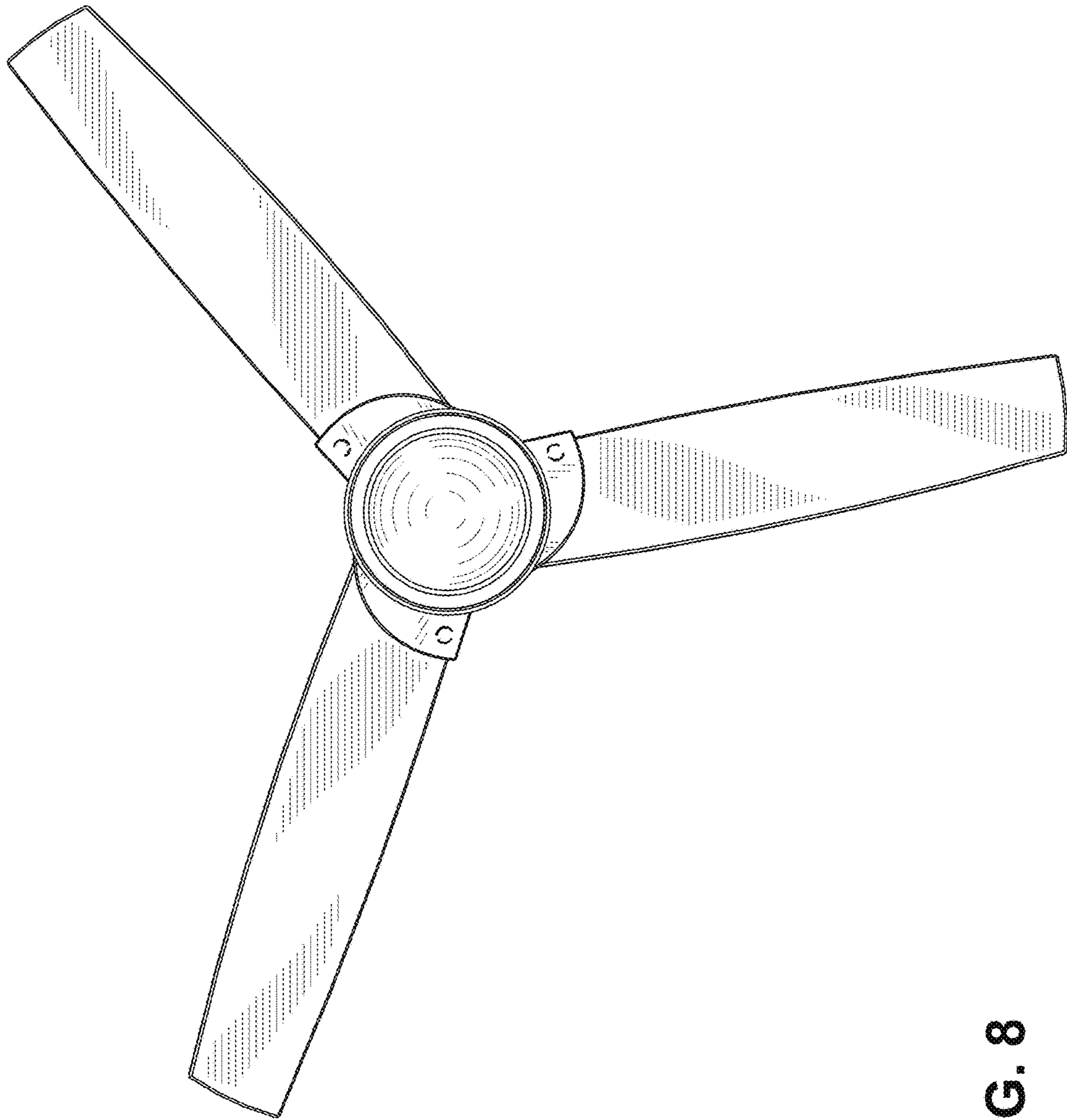


FIG. 8