



US00D795408S

(12) **United States Design Patent** (10) **Patent No.:** **US D795,408 S**  
**Lin et al.** (45) **Date of Patent:** **\*\* Aug. 22, 2017**

|   |  |
|---|--|
| (54) <b>ELECTRICAL DEODORIZER</b>   | 7,152,809 B2 * 12/2006 Ketcha ..... A01M 1/205<br>239/128  |
| (71) Applicant: <b>CONARY ENTERPRISE CO., LTD.,</b><br>Taipei (TW)                                | D565,715 S * 4/2008 Wu ..... D23/366<br>D582,533 S * 12/2008 Bodine ..... D23/366<br>D676,540 S * 2/2013 Sanders ..... D23/366<br>D716,427 S * 10/2014 Lim ..... D23/364 |
| (72) Inventors: <b>Chih-Liang Lin, Taipei (TW); Shih</b><br><b>Jung Danica Huang, Taipei (TW)</b> | 9,352,064 B2 * 5/2016 Furner ..... A61L 9/122<br>D773,302 S * 12/2016 Henriksson ..... D9/451<br>2014/0091487 A1 * 4/2014 Belongia ..... A61L 9/122<br>261/146           |
| (73) Assignee: <b>Conary Enterprise Co., Ltd., Taipei</b><br>(TW)                                 | 2014/0110495 A1 * 4/2014 Gundy ..... A61L 9/12<br>239/44   |

(\*\*) Term: **15 Years**

(21) Appl. No.: **29/553,739**

(22) Filed: **Feb. 4, 2016**

(51) **LOC (10) Cl.** ..... **23-04**

(52) **U.S. Cl.**  
USPC ..... **D23/366**

(58) **Field of Classification Search**  
USPC ..... D23/355-369, 354, 341; 261/DIG. 17,  
261/DIG. 42, DIG. 65, DIG. 88, DIG. 89;  
D10/49, 50, 52  
CPC ..... A61L 9/00; A61L 9/02; A61L 9/03; A61L  
9/032; A61L 9/035; A61L 9/037; A61L  
9/12; A61L 9/122; A61L 9/125; A61L  
9/127; A61L 9/16

See application file for complete search history.

(56) **References Cited**

**U.S. PATENT DOCUMENTS**

|   |
|---|
| D246,318 S * 11/1977 Layton ..... D23/369     |
| D268,361 S * 3/1983 von Philipp ..... D23/369 |
| D275,222 S * 8/1984 Hoyt ..... D23/369        |
| D280,757 S * 9/1985 Paulovich ..... D23/207   |
| D281,010 S * 10/1985 Joyaux ..... D23/369     |
| D375,350 S * 11/1996 Patel ..... D23/366      |
| D381,741 S * 7/1997 Johnson ..... D23/364     |
| D396,098 S * 7/1998 Gillingham ..... D23/365  |
| D465,275 S * 11/2002 Garman ..... D23/364     |
| D493,874 S * 8/2004 Woods ..... D23/364       |

**FOREIGN PATENT DOCUMENTS**

|    |                      |       |           |
|----|----------------------|-------|-----------|
| JP | 5392216 B2 * 1/2014  | ..... | A61L 9/16 |
| JP | 5635781 B2 * 12/2014 | ..... | A61L 9/12 |

\* cited by examiner

*Primary Examiner* — Sheryl Lane

*Assistant Examiner* — Samantha Wood

(74) *Attorney, Agent, or Firm* — Rosenberg, Klein & Lee

(57) **CLAIM**

The ornamental design for an electrical deodorizer, as shown and described.

**DESCRIPTION**

FIG. 1 is a perspective view of an electrical deodorizer showing my new design;

FIG. 2 is a front elevation view thereof;

FIG. 3 is a rear elevation view thereof;

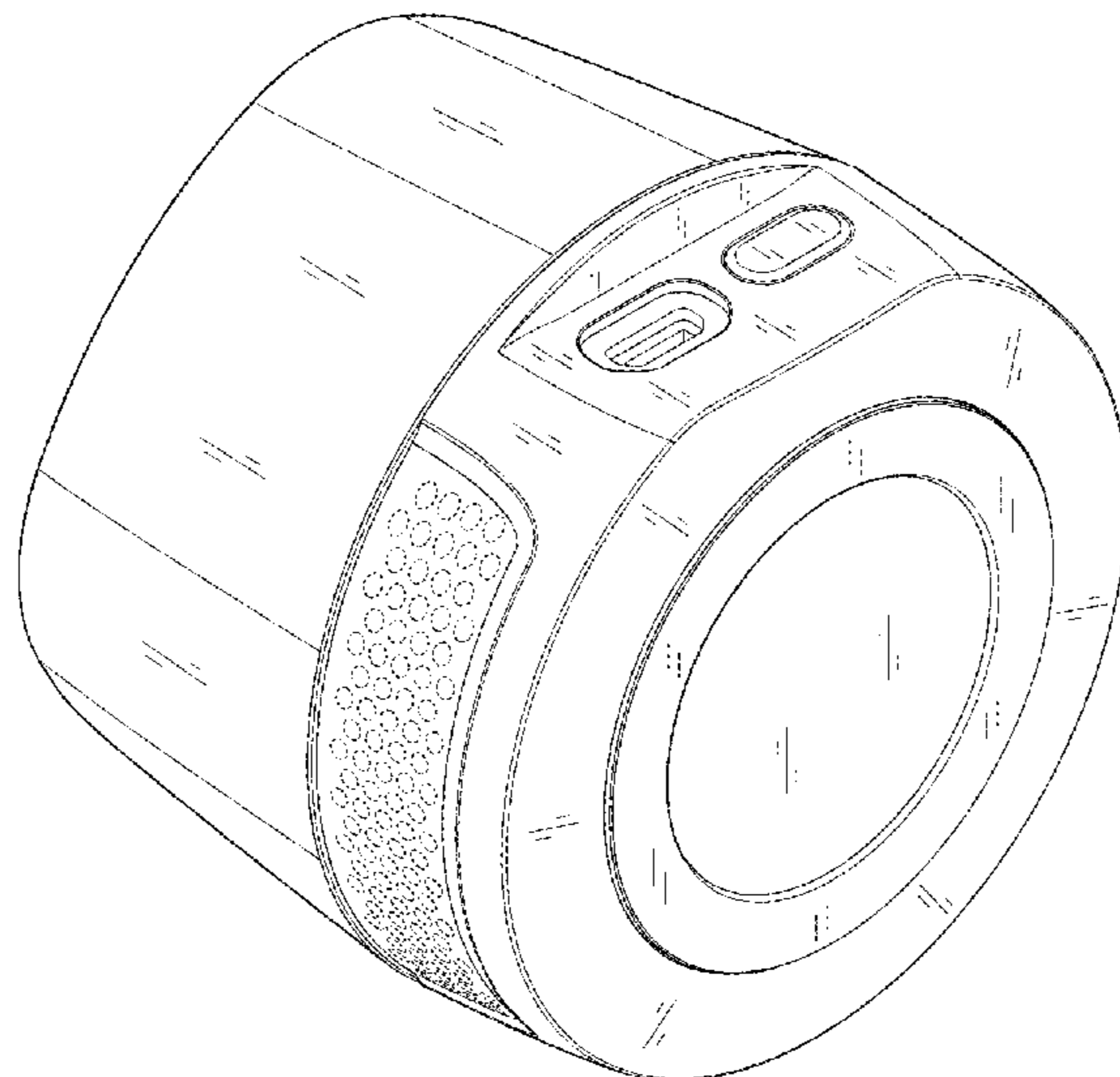
FIG. 4 is a left side elevational view thereof, a right side elevational view being a mirror image thereof;

FIG. 5 is a top plan view thereof; and,

FIG. 6 is a bottom plan view thereof.

The broken lines showing portions of the electrical deodorizer are included for the purpose of illustrating portions of the article and form no part of the claimed design.

**1 Claim, 4 Drawing Sheets**



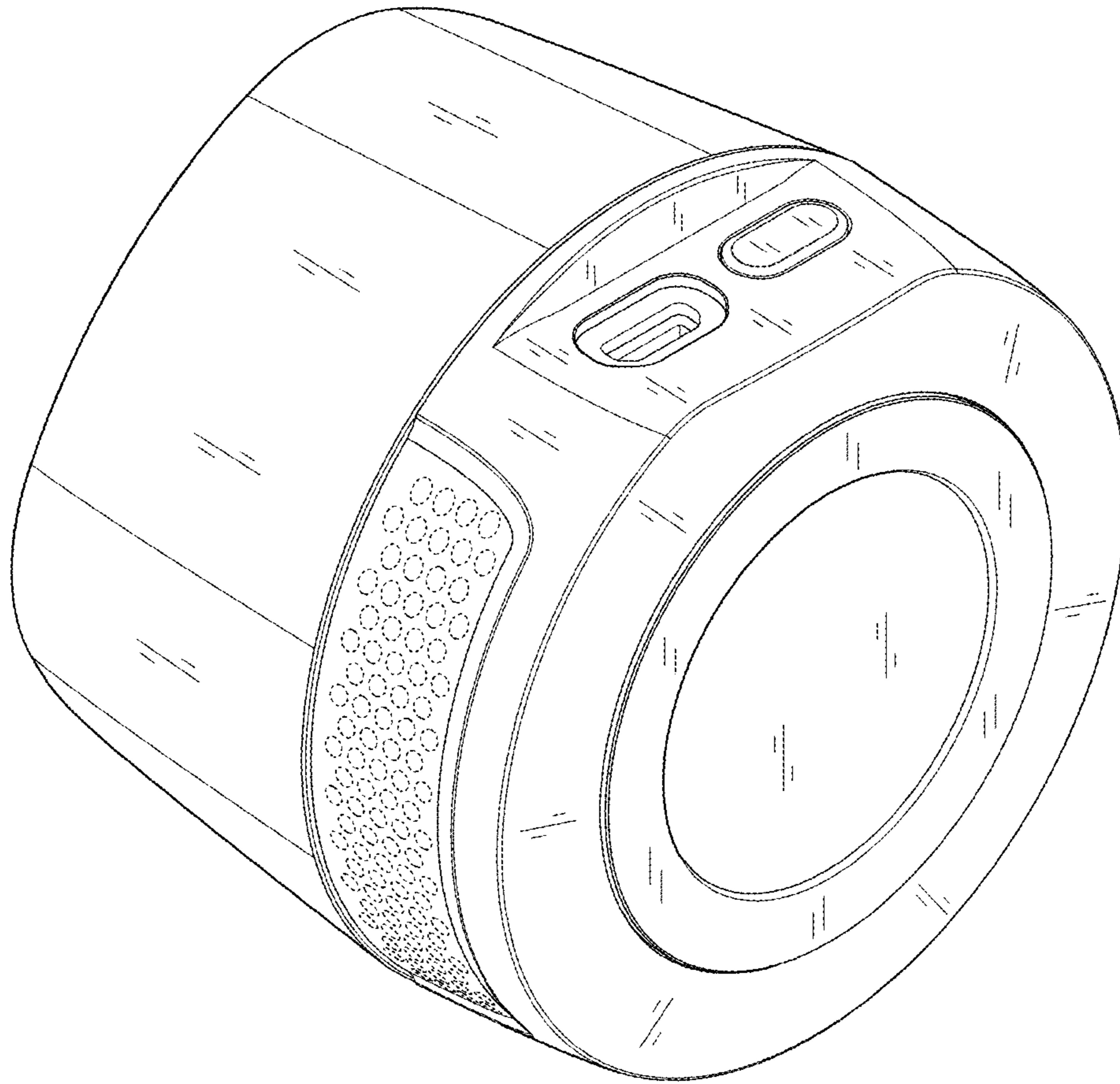


FIG.1

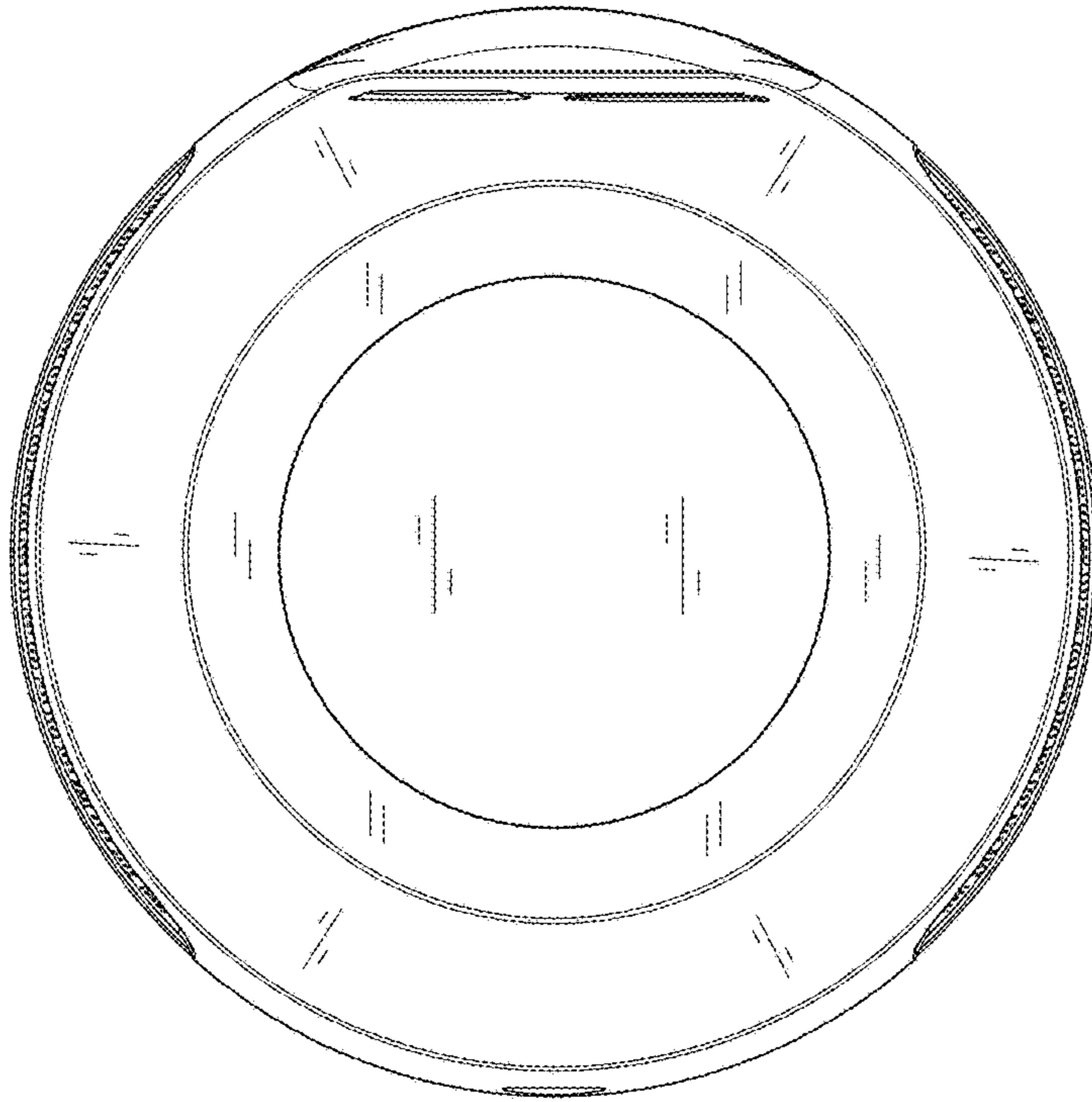


FIG. 2

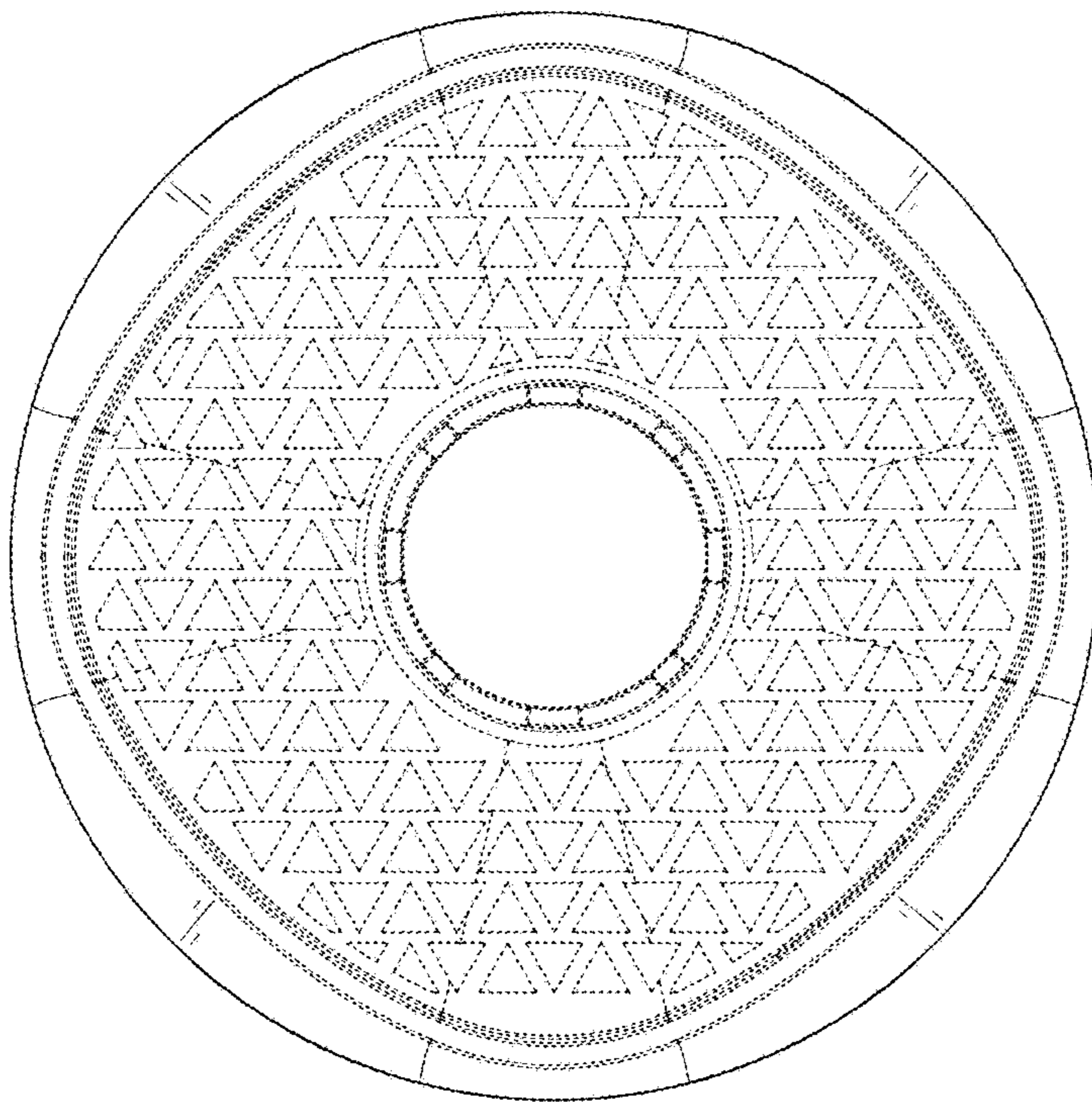


FIG. 3

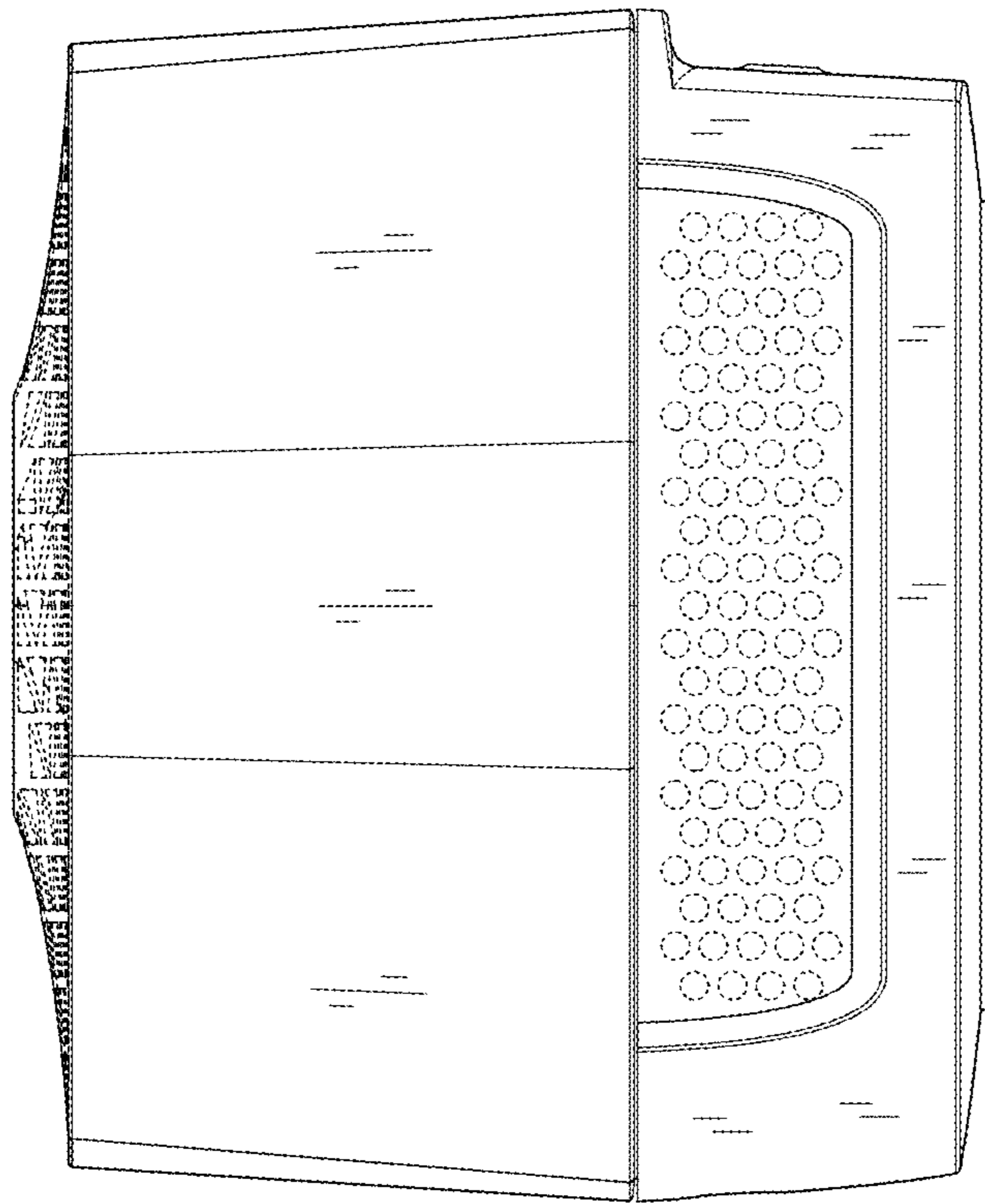


FIG.4

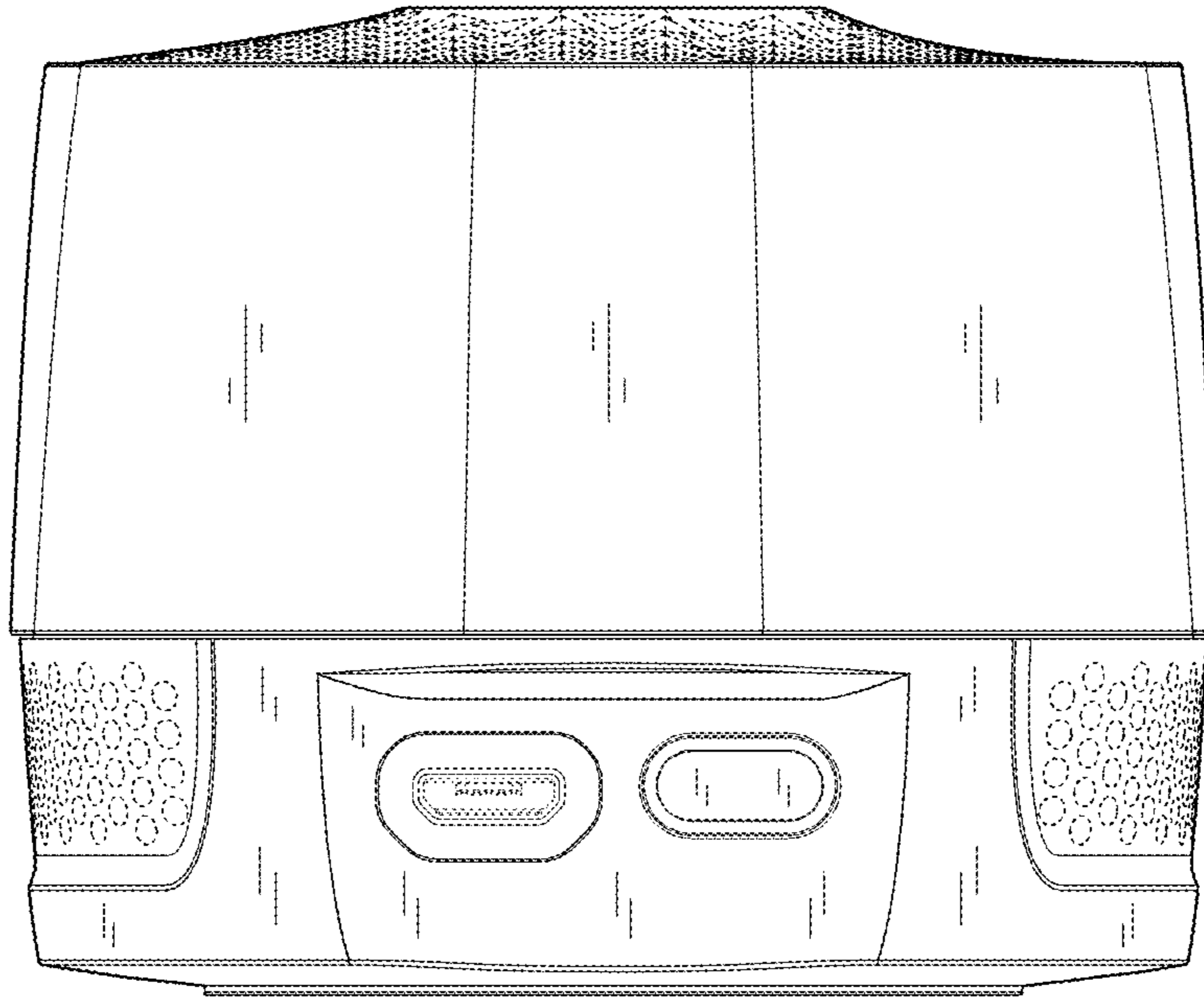


FIG. 5

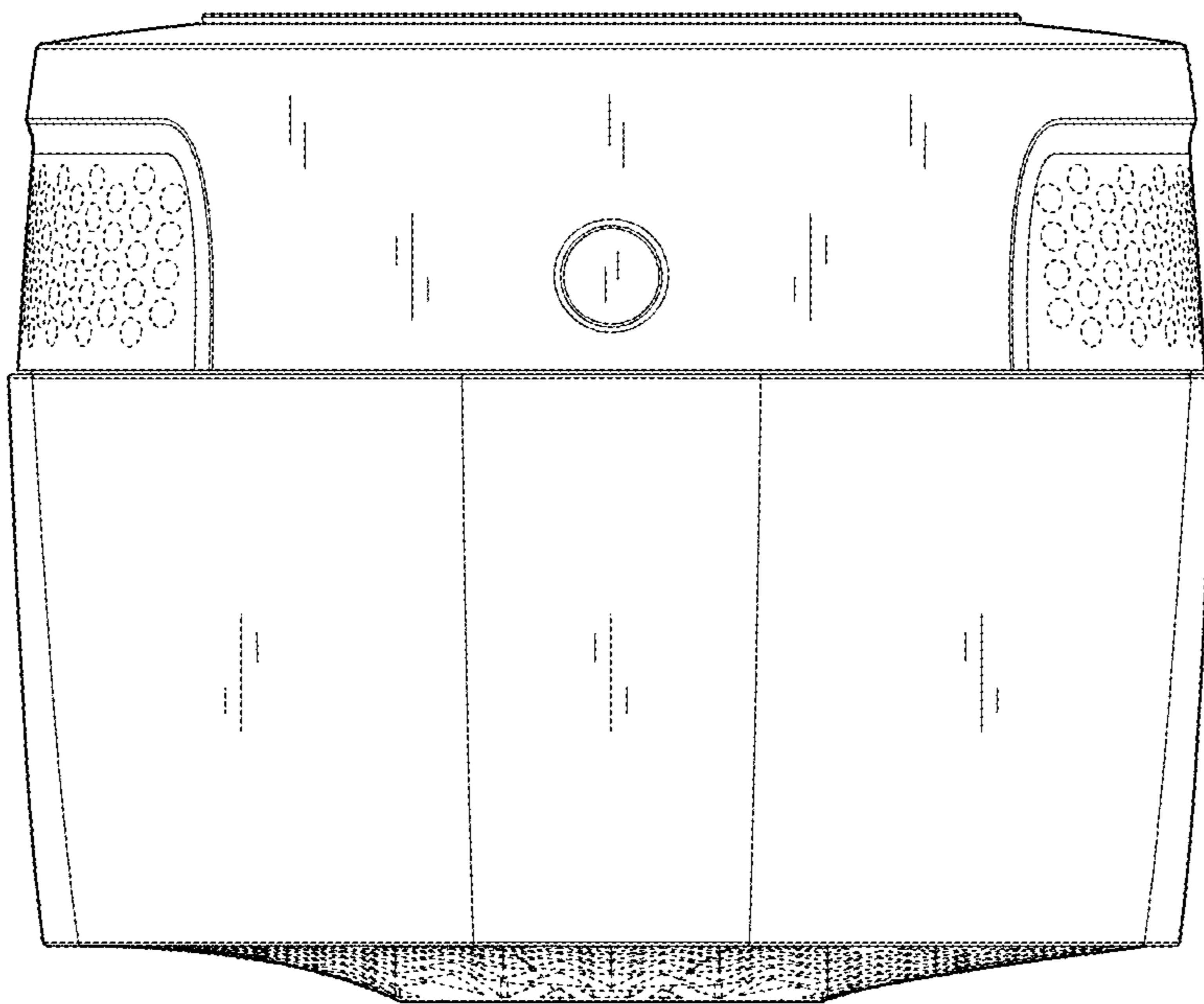


FIG. 6